



US00D490262S

(12) **United States Design Patent**
Graves et al.

(10) **Patent No.:** **US D490,262 S**

(45) **Date of Patent:** **** May 25, 2004**

(54) **SOAP DISPENSER**

D479,779 S * 9/2003 Zhao D6/542
D484,402 S * 12/2003 Crawford D9/300

(75) Inventors: **Michael Graves**, Princeton, NJ (US);
Donald Strum, Princeton, NJ (US);
William Harrington, Princeton, NJ
(US); **Scott Doty**, Cranbury, NJ (US)

* cited by examiner

Primary Examiner—Sandra L. Morris
(74) *Attorney, Agent, or Firm*—Kwadjo Adusei-Poku;
Lloyd D. Doigan

(73) Assignee: **Masco Corporation of Indiana**,
Indianapolis, IN (US)

(57) **CLAIM**

(**) Term: **14 Years**

The ornamental design for a soap dispenser, as shown and described.

(21) Appl. No.: **29/180,379**

DESCRIPTION

(22) Filed: **Apr. 23, 2003**

(51) **LOC (7) Cl.** **06-04**

(52) **U.S. Cl.** **D6/542; D9/300; D9/307**

(58) **Field of Search** D6/542; D9/300,
D9/307, 322, 323, 337, 434, 447, 448;
D23/238, 252, 255

FIG. 1 is a front perspective view of a soap dispenser showing our new design;
FIG. 2 is a rear perspective view thereof;
FIG. 3 is a left side elevational view thereof;
FIG. 4 is a rear elevational view thereof;
FIG. 5 is a right side elevational view thereof;
FIG. 6 is a top plan view thereof;
FIG. 7 is a front elevational view thereof; and,
FIG. 8 is a bottom plan view thereof.

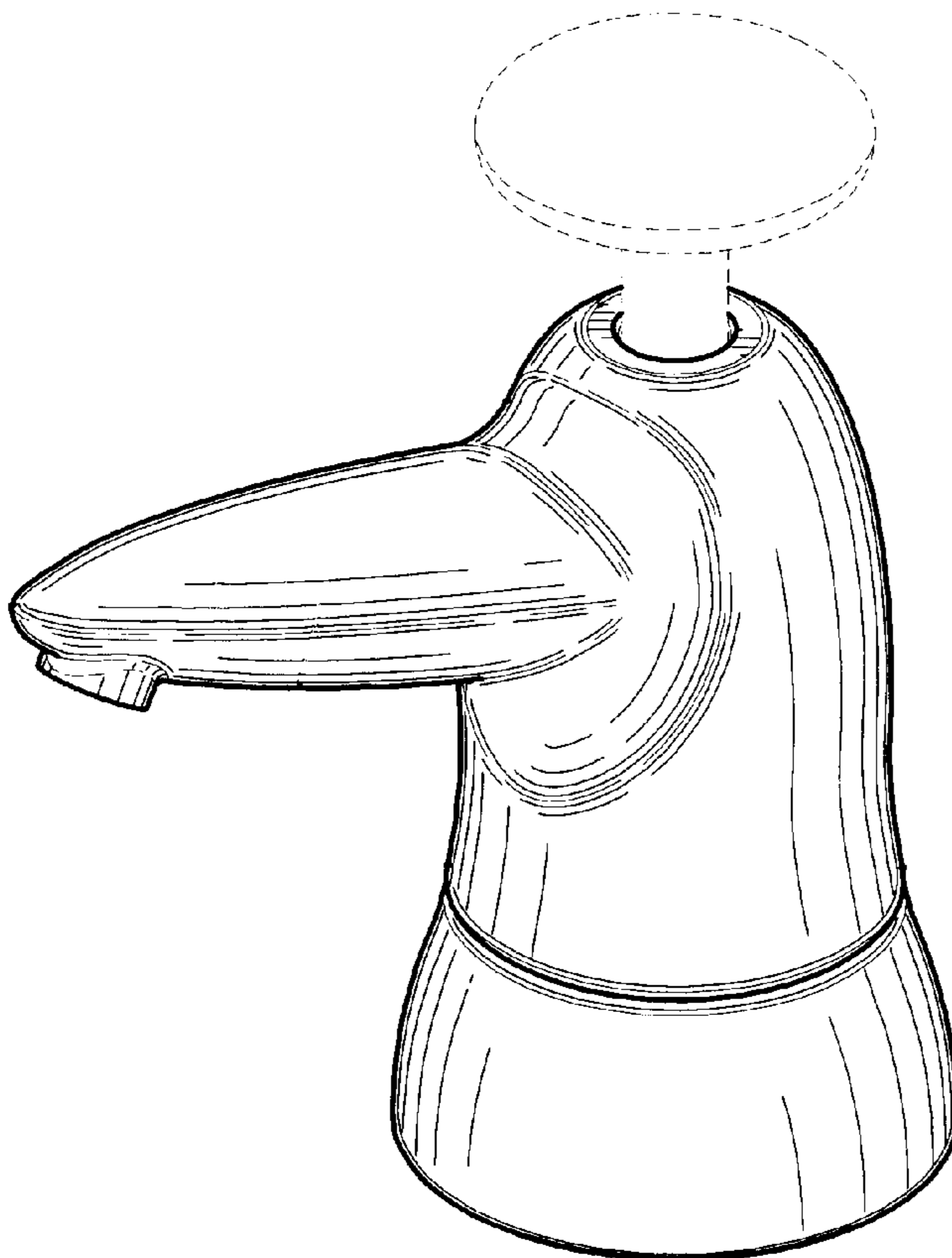
(56) **References Cited**

U.S. PATENT DOCUMENTS

D366,834 S * 2/1996 Reid D9/447
D447,219 S * 8/2001 Donath, Jr. et al. D23/238
D469,516 S * 1/2003 Lim D23/255

The broken line showing is for illustrative purposes only, and forms no part of the claimed design.

1 Claim, 4 Drawing Sheets



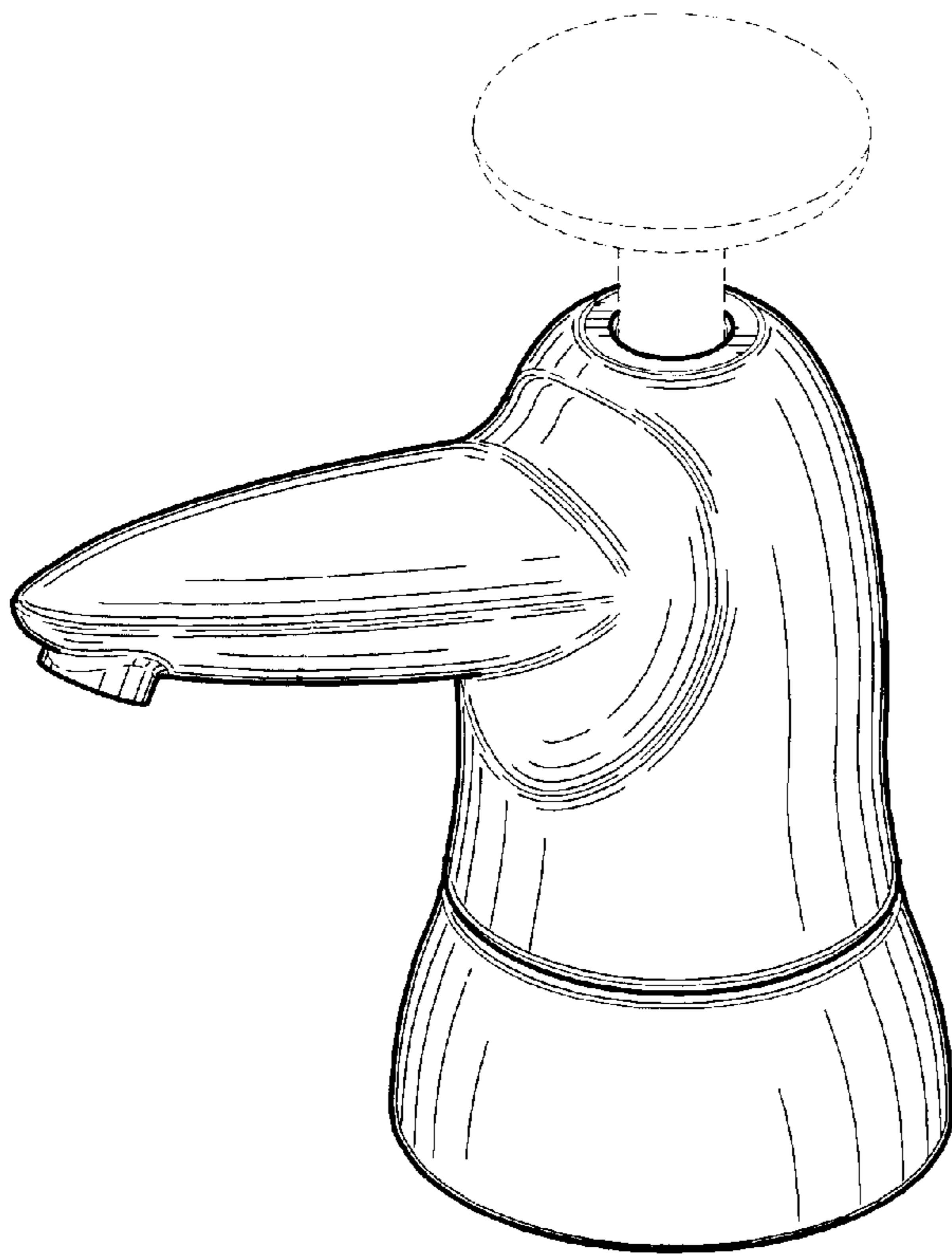


FIG - 1

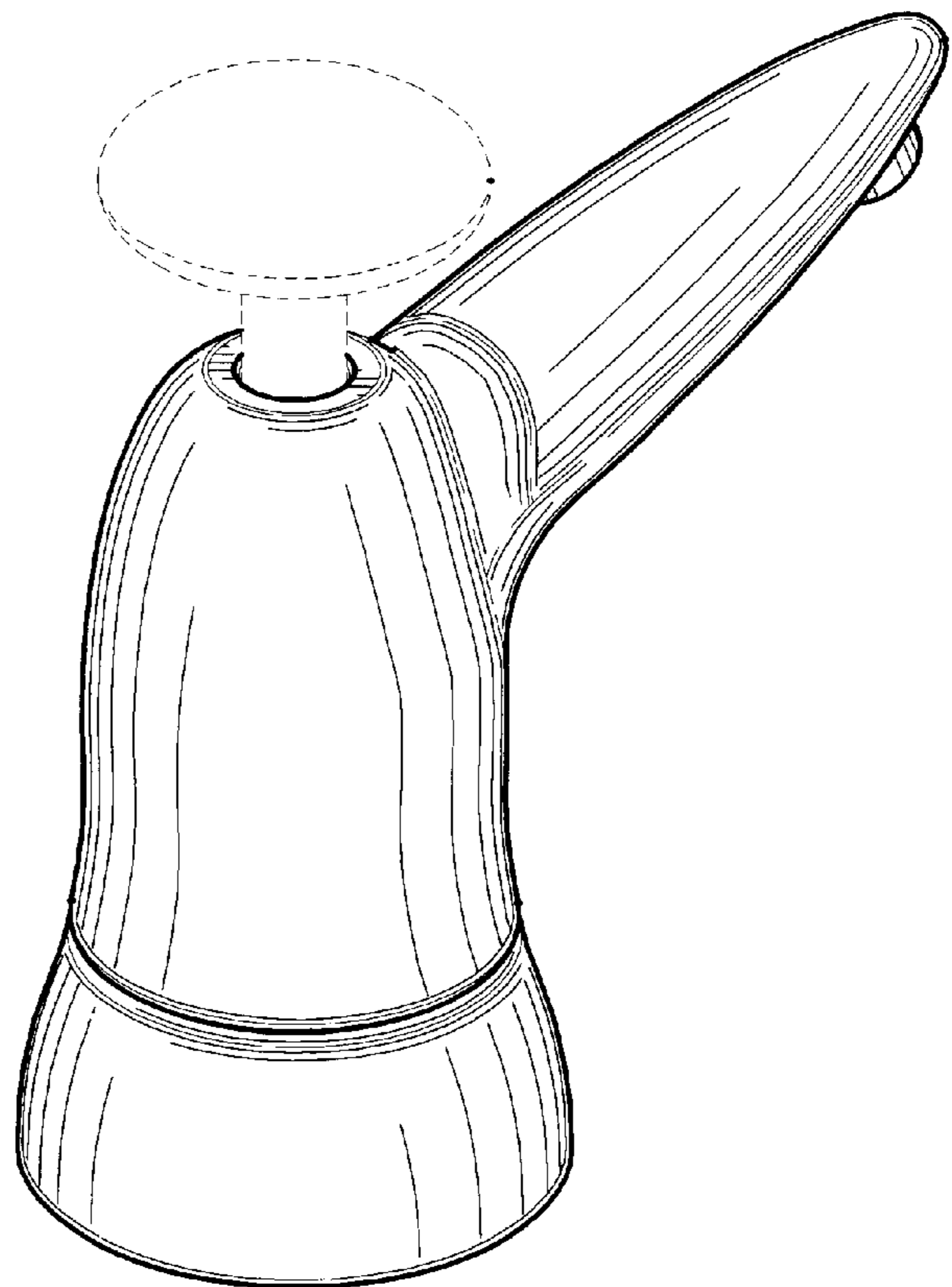


FIG - 2

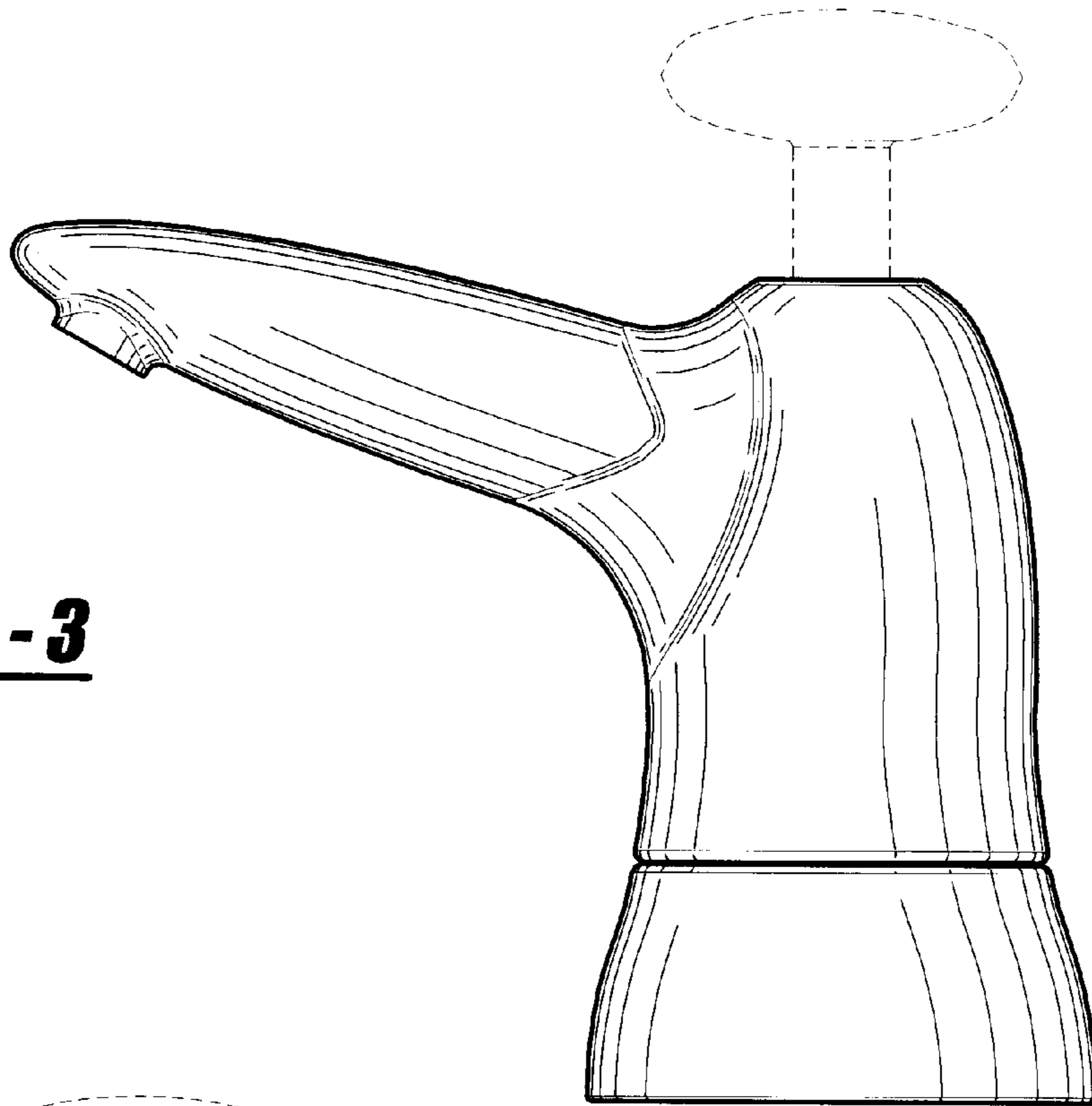


FIG - 3

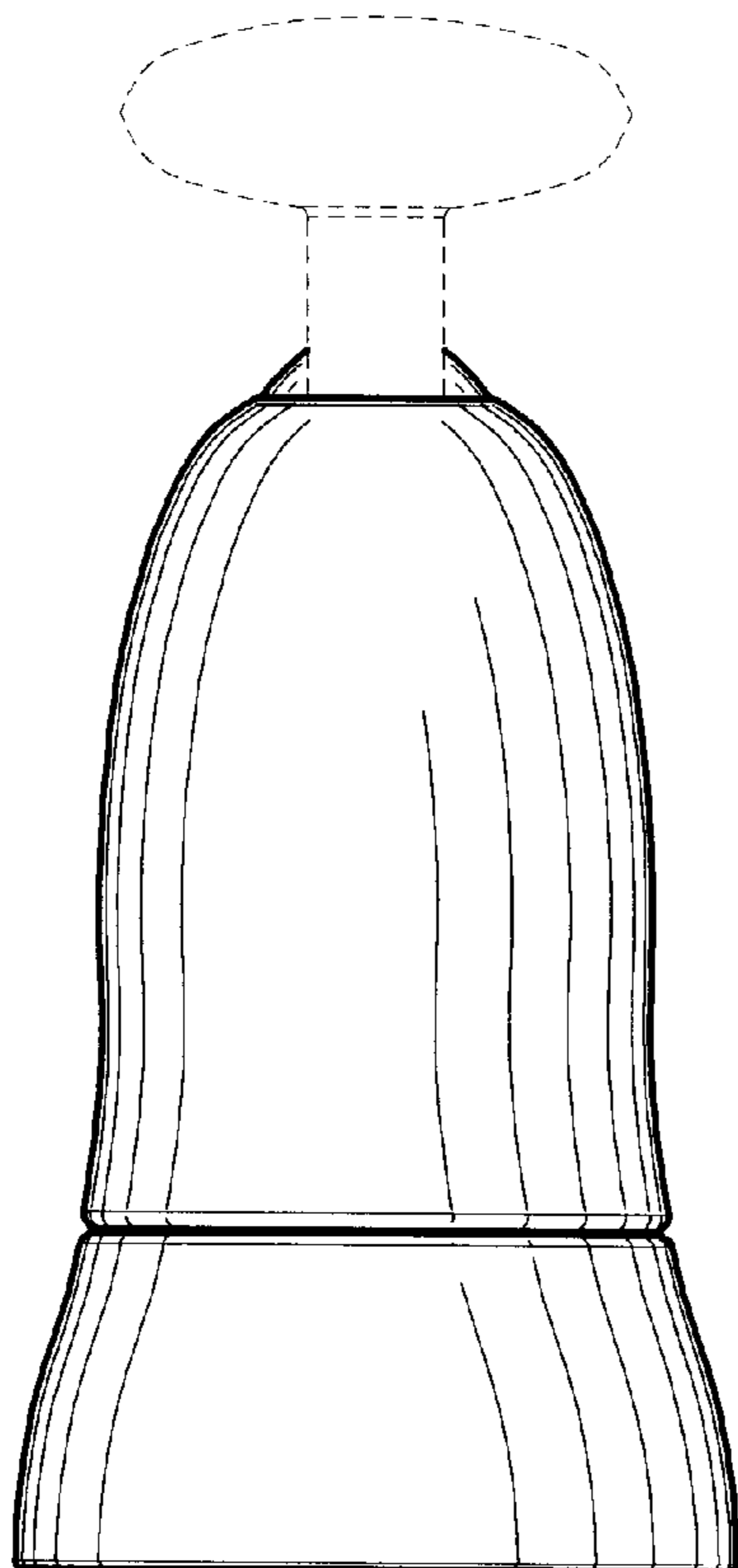


FIG - 4

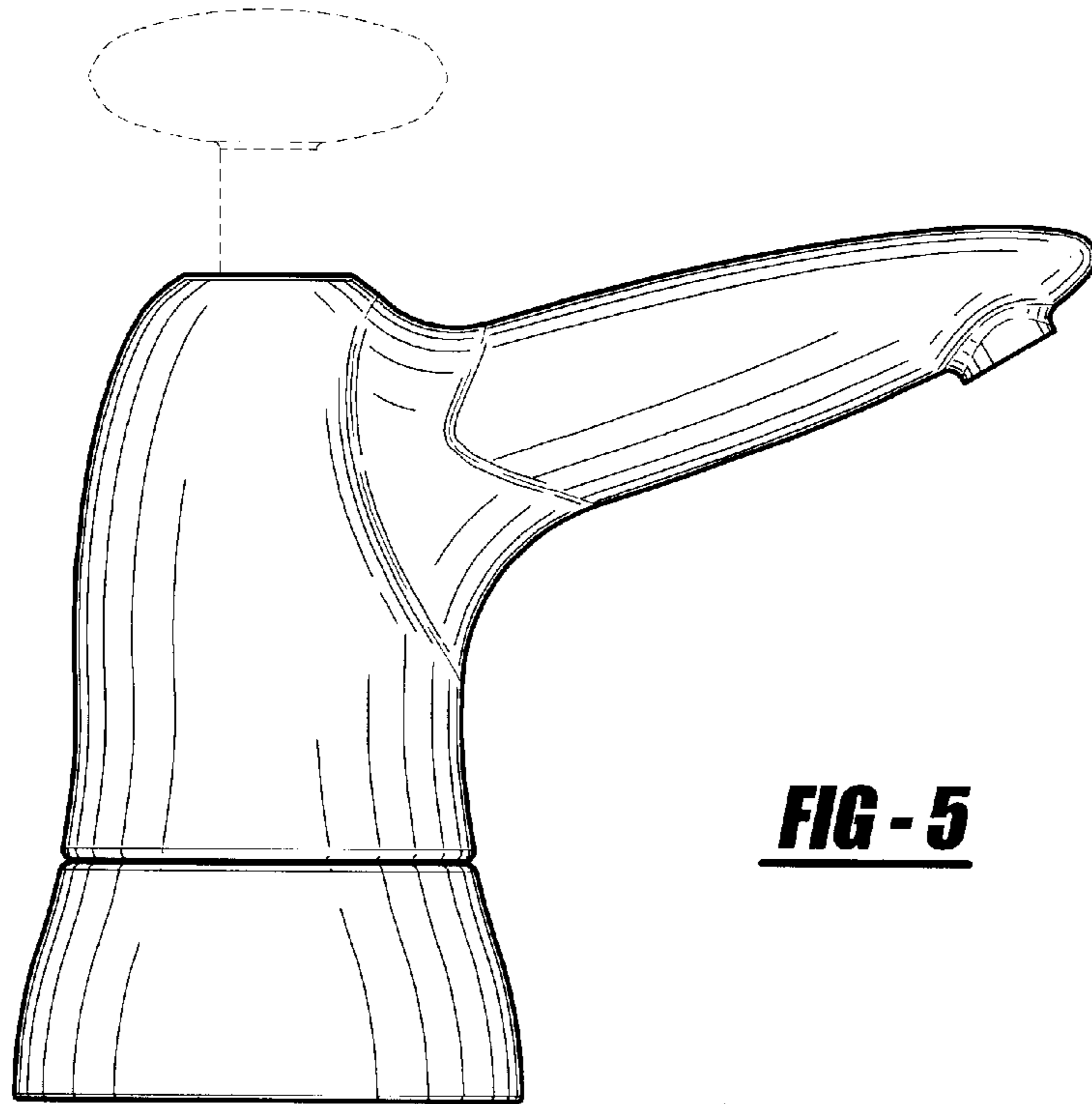
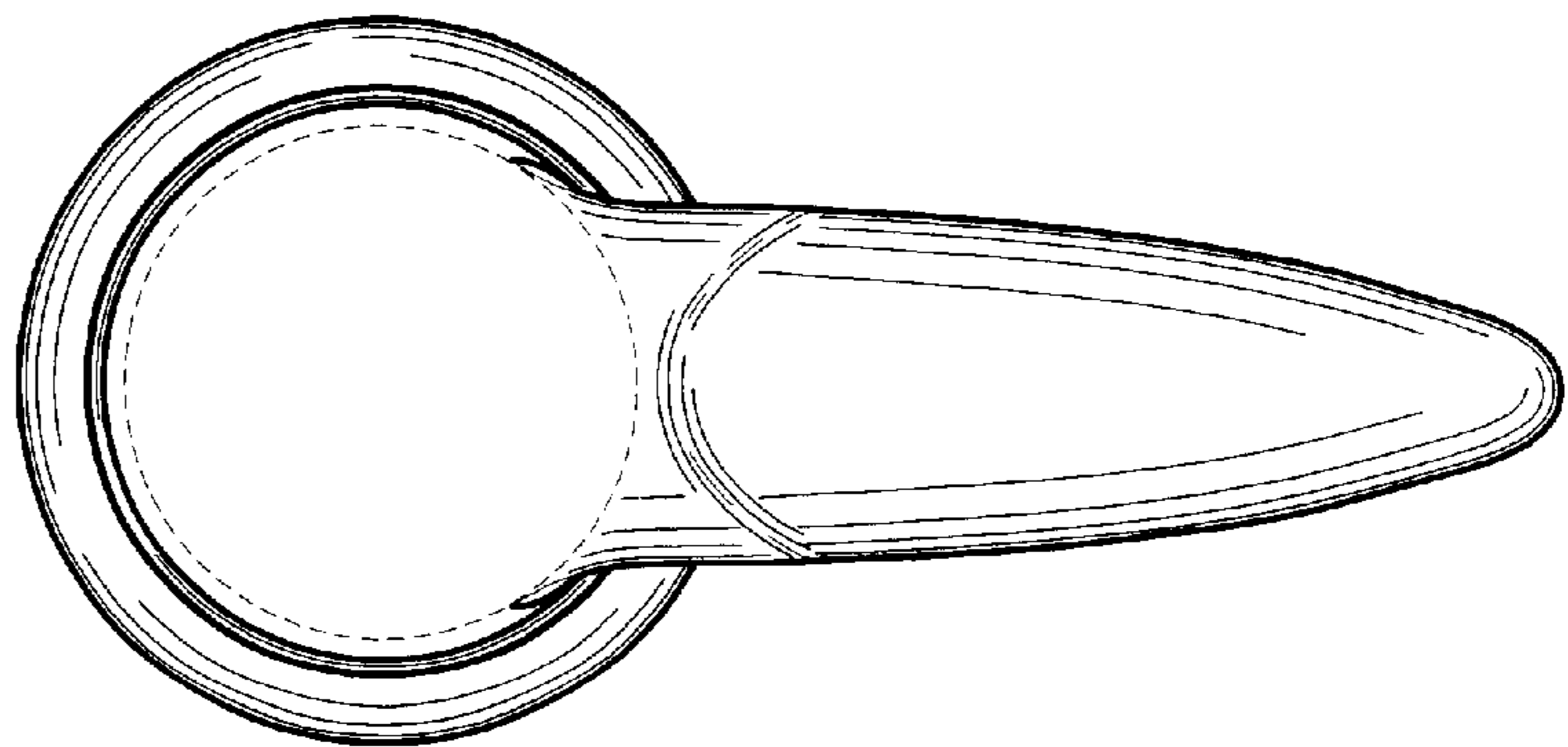


FIG - 5

FIG - 6



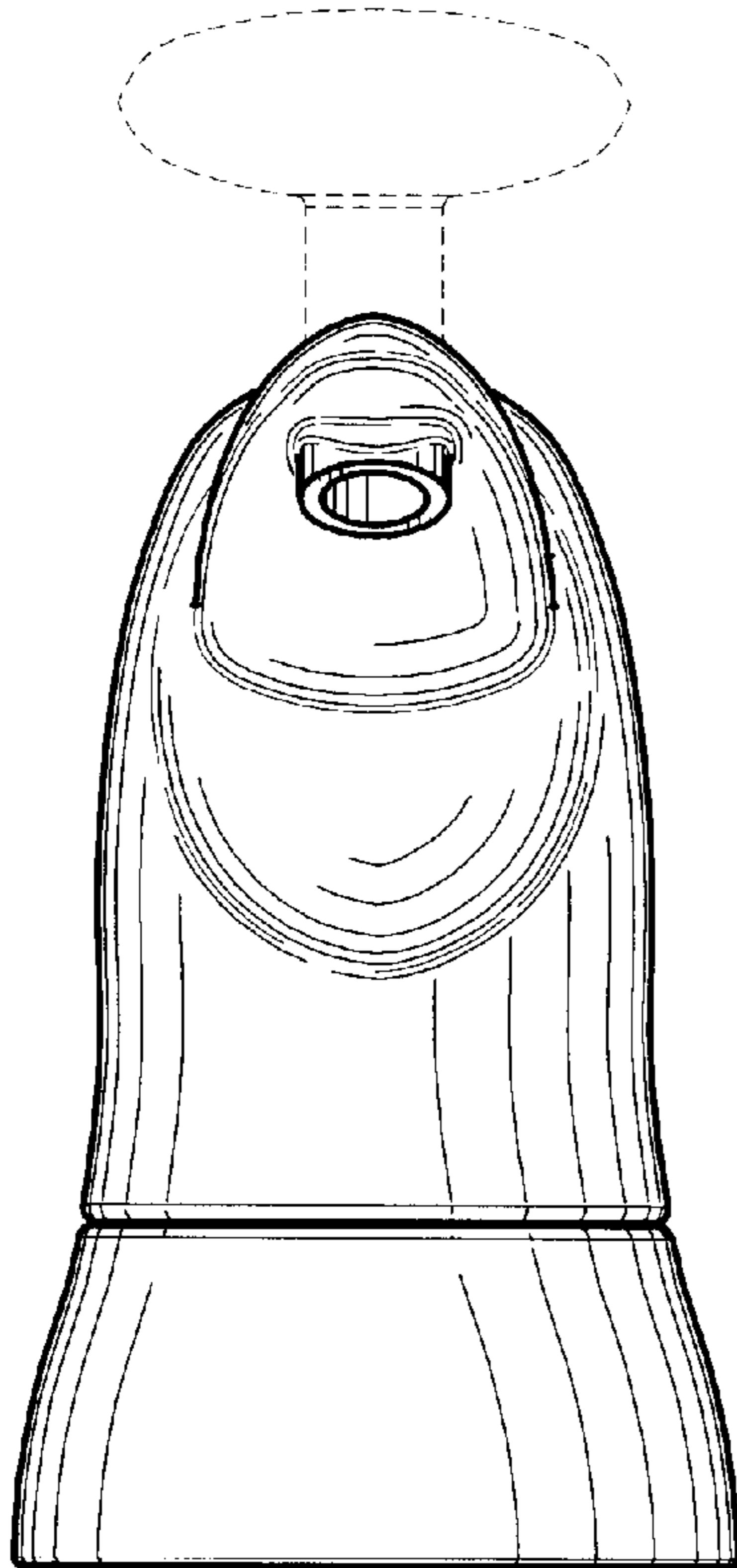


FIG - 7

FIG - 8

