



US00D490261S

(12) **United States Design Patent**
Astle et al.

(10) **Patent No.:** **US D490,261 S**

(45) **Date of Patent:** **** May 25, 2004**

(54) **PERSONAL WORK TABLE**

D432,329 S * 10/2000 Chang D6/420

(75) Inventors: **Robert A. Astle**, Farmington, UT (US);
David C. Winter, Layton, UT (US); **S. Curtis Nye**, Clinton, UT (US); **Thayne B. Haney**, Syracuse, UT (US)

* cited by examiner

Primary Examiner—Janice Seeger
(74) *Attorney, Agent, or Firm*—Workman Nydegger

(73) Assignee: **Lifetime Products, Inc.**, Clearfield, UT (US)

(57) **CLAIM**

The ornamental design for a personal work table, as shown and described.

(**) Term: **14 Years**

DESCRIPTION

(21) Appl. No.: **29/176,962**

FIG. 1 is a perspective view of a personal work table;
FIG. 2 is a top view of the personal work table shown in FIG. 1;
FIG. 3 is a right side view of the personal work table shown in FIG. 1, with the left side view being a mirror image thereof;
FIG. 4 is a front view of the personal work table shown in FIG. 1;
FIG. 5 is a back view of the personal work table shown in FIG. 1; and,
FIG. 6 is a bottom view of the personal work table shown in FIG. 1.

(22) Filed: **Feb. 27, 2003**

(51) **LOC (7) Cl.** **06-06**

(52) **U.S. Cl.** **D6/511**

(58) **Field of Search** D6/480-489, 509-511,
D6/429-431; 108/153.1, 155, 156, 161,
25, 26, 33, 65, 69, 70

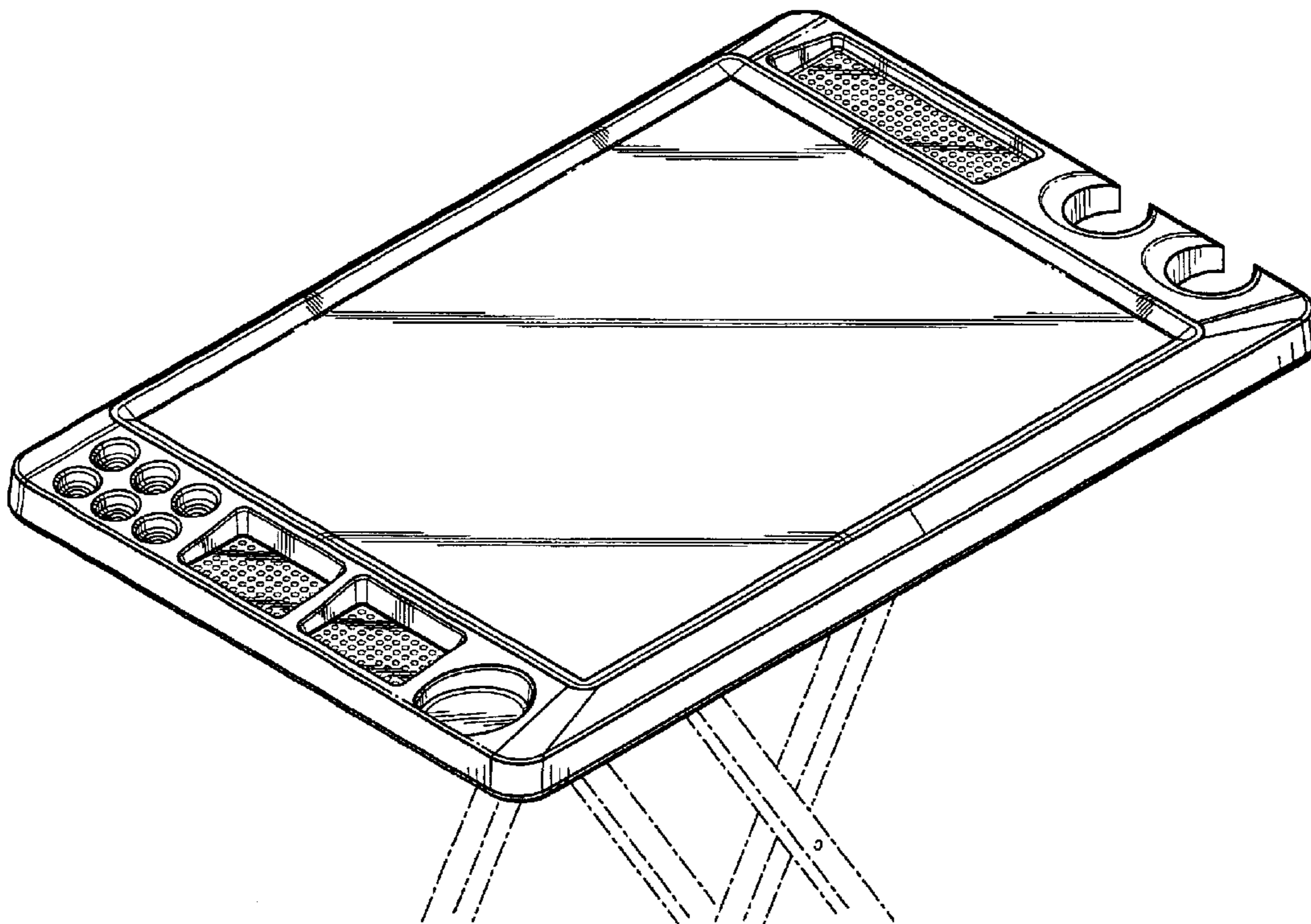
The broken lines are for illustrative purposes only and form no part of the claimed design.

(56) **References Cited**

U.S. PATENT DOCUMENTS

- 1,803,830 A * 5/1931 Fred et al. 273/309
- D127,680 S * 6/1941 Greitzer D21/397
- 4,972,781 A * 11/1990 Montgomery et al. 108/25
- D427,649 S * 7/2000 Mak D21/522

1 Claim, 4 Drawing Sheets



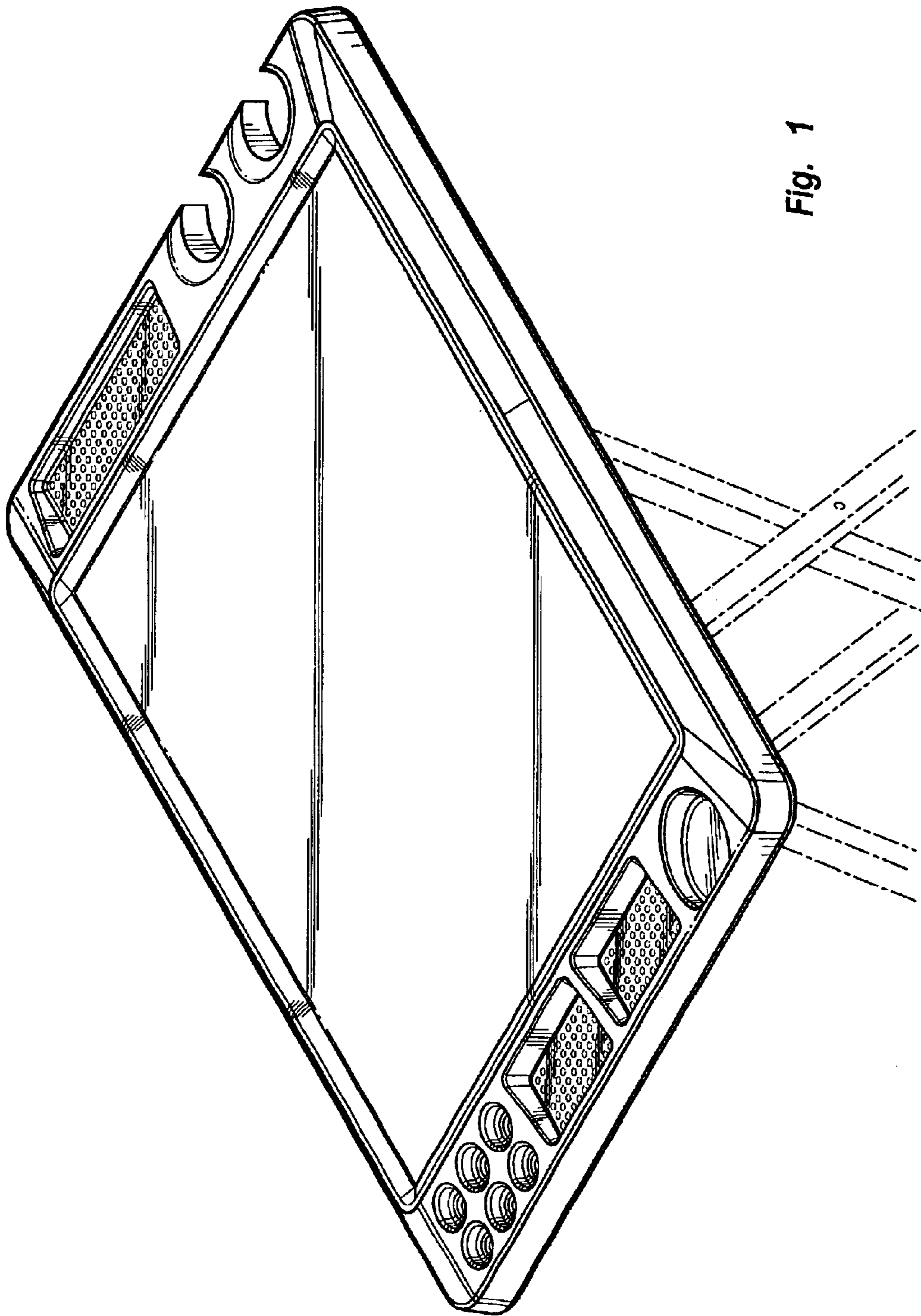


Fig. 1

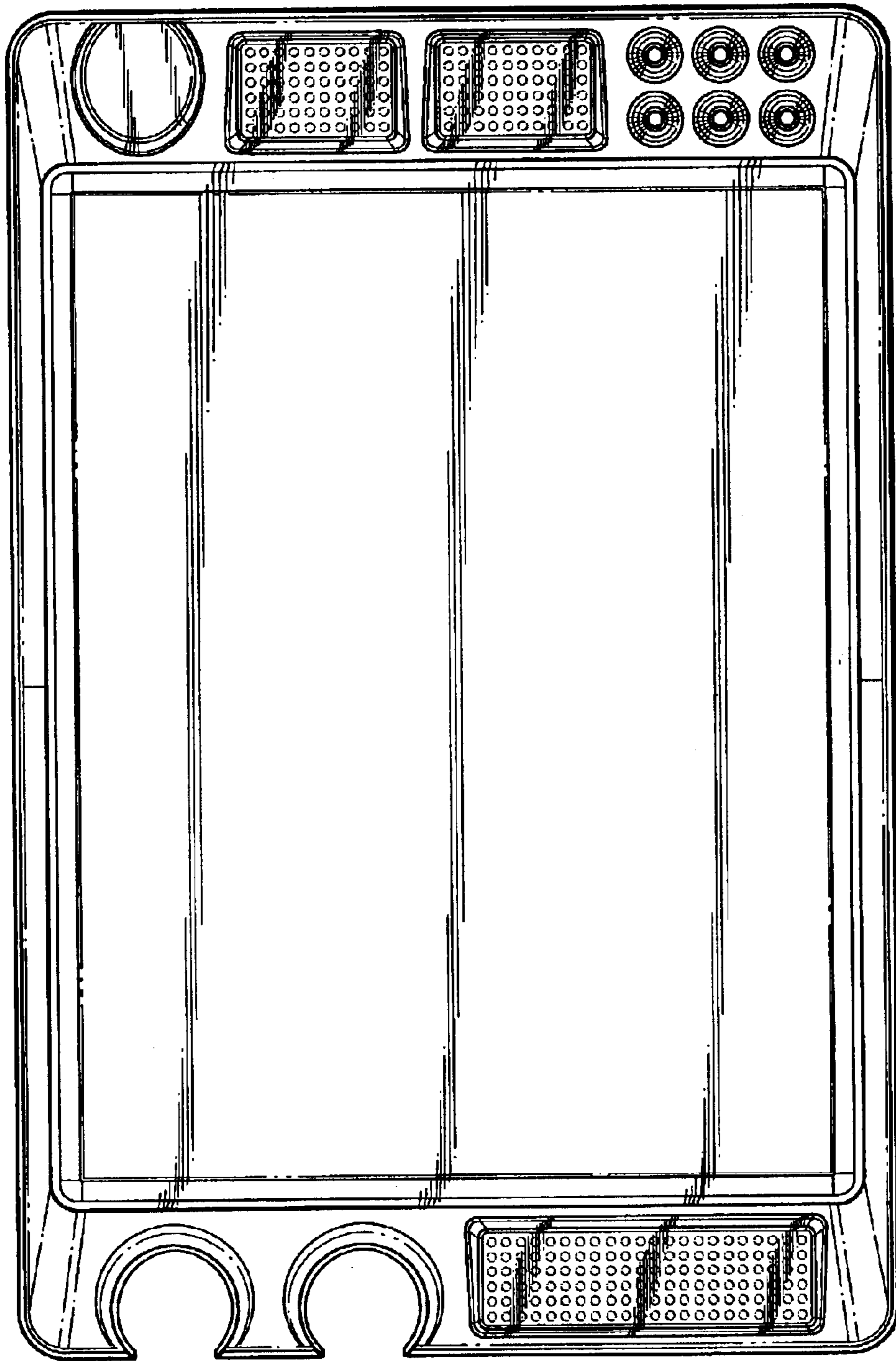


Fig. 2

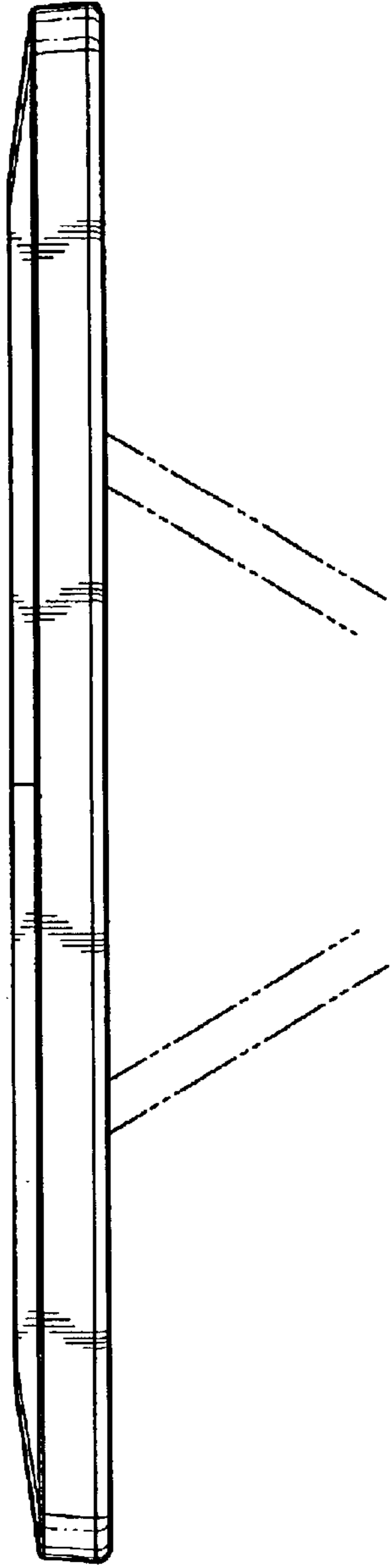


Fig. 3

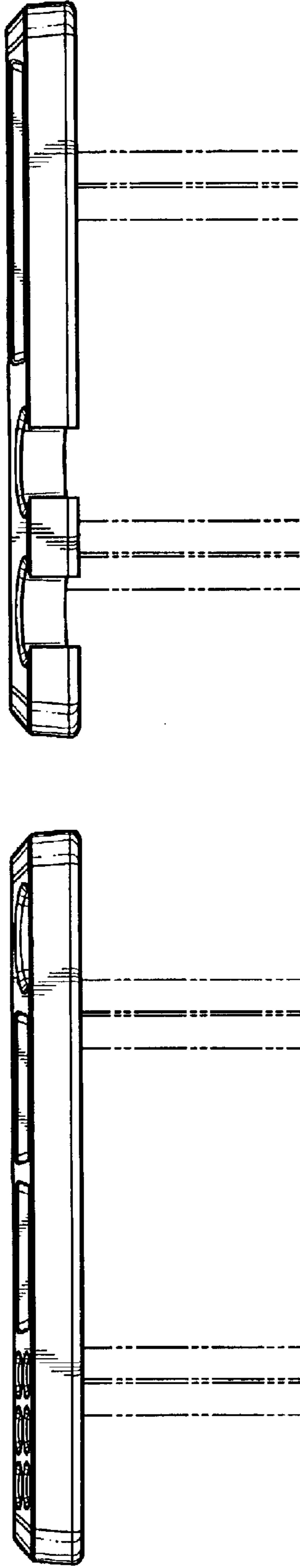


Fig. 4

Fig. 5

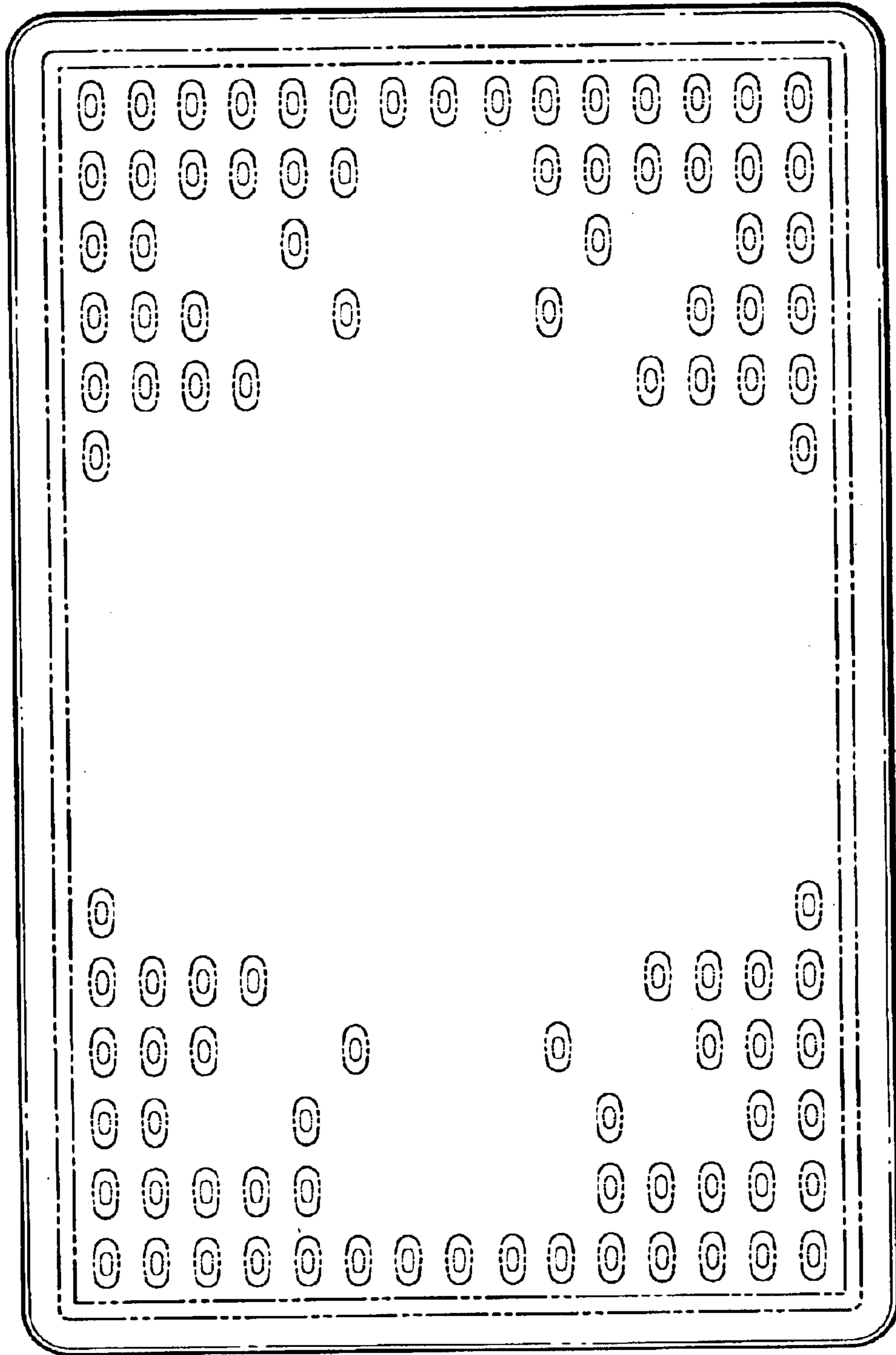


Fig. 6

UNITED STATES PATENT AND TRADEMARK OFFICE
CERTIFICATE OF CORRECTION

PATENT NO. : Des. 490,261 S
DATED : May 25, 2004
INVENTOR(S) : Robert A. Astle et al.

Page 1 of 1

It is certified that error appears in the above-identified patent and that said Letters Patent is hereby corrected as shown below:

Title page,
DESCRIPTION,
Line 10, delete “,” after “and”

Signed and Sealed this

Sixteenth Day of November, 2004

A handwritten signature in black ink on a light gray dotted background. The signature reads "Jon W. Dudas" in a cursive style.

JON W. DUDAS

Director of the United States Patent and Trademark Office