



US00D490260S

(12) **United States Design Patent**
Bowen

(10) **Patent No.:** **US D490,260 S**

(45) **Date of Patent:** **** May 25, 2004**

(54) **PLATE SAFE FOR ATTACHMENT TO GLASS SHELF EDGE**

(75) **Inventor:** **Grenville Bowen**, 89 Alfreton Road, South Normanton, Derbyshire (GB), DE55 2BJ

(73) **Assignee:** **Grenville Bowen**, South Normanton (GB)

(**) **Term:** **14 Years**

(21) **Appl. No.:** **29/133,747**

(22) **Filed:** **Dec. 7, 2000**

(51) **LOC (7) Cl.** **06-06**

(52) **U.S. Cl.** **D6/511**

(58) **Field of Search** D6/396, 491, 492, D6/509, 511; D25/119, 125; 248/441.1, 469, 473; 211/41.2, 94.01

(56) **References Cited**

U.S. PATENT DOCUMENTS

905,737 A * 12/1908 McCombe 211/41.2

D110,622 S	*	7/1938	Lowry	D25/119
D228,992 S	*	11/1973	Ramsey	D25/119
D272,547 S	*	2/1984	Gordon	D19/91
D288,966 S	*	3/1987	Gordon et al.	D25/119
D311,657 S	*	10/1990	Pate	D6/574
D345,268 S	*	3/1994	Pate	D6/511
D357,407 S	*	4/1995	Pate	D8/381
5,493,947 A	*	2/1996	Philbeck	248/176.1
D383,122 S	*	9/1997	Parks	D14/114
D402,048 S	*	12/1998	Goodchild	D25/119
6,092,676 A	*	7/2000	Graham	211/94.01

* cited by examiner

Primary Examiner—Cathron C. Brooks

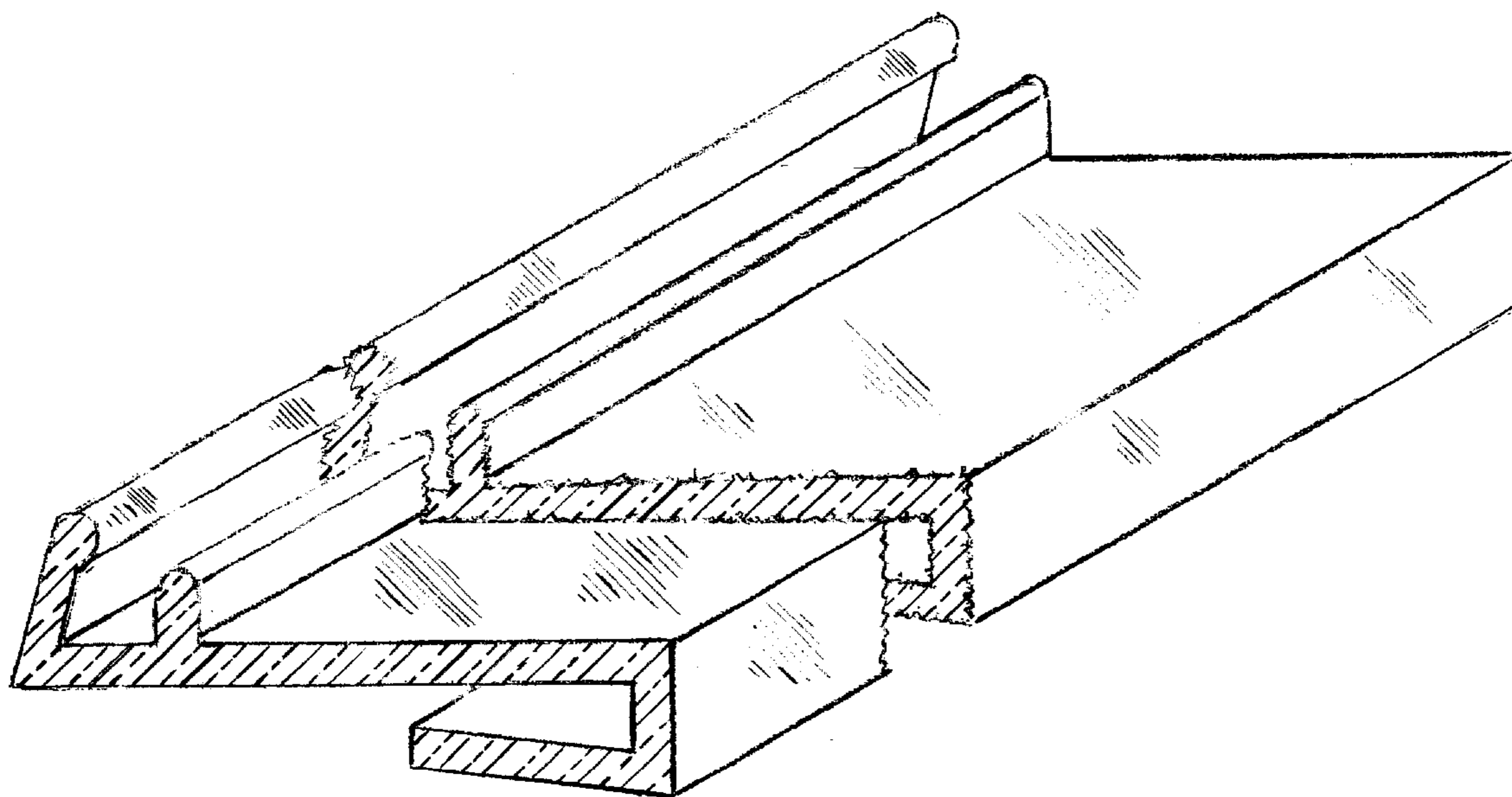
(57) **CLAIM**

The ornamental design for a plate safe for attachment to glass shelf edge, as shown and described.

DESCRIPTION

FIG. 1 Is a left side perspective view of my plate safe for attachment to glass shelf edge, shown broken at the center to indicate indeterminate length; and, FIG. 2 Is a cross section thereof.

1 Claim, 1 Drawing Sheet



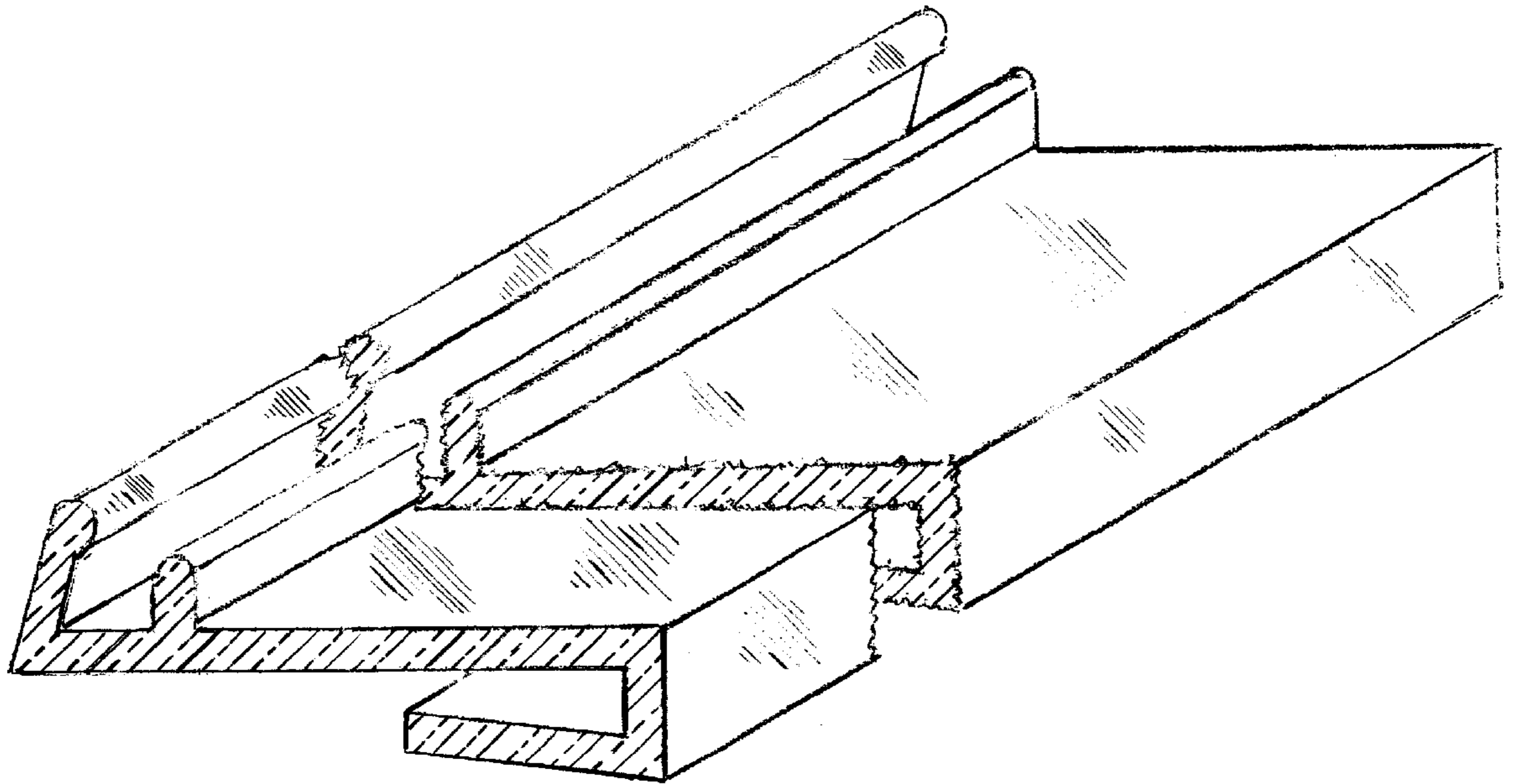


FIG. 1

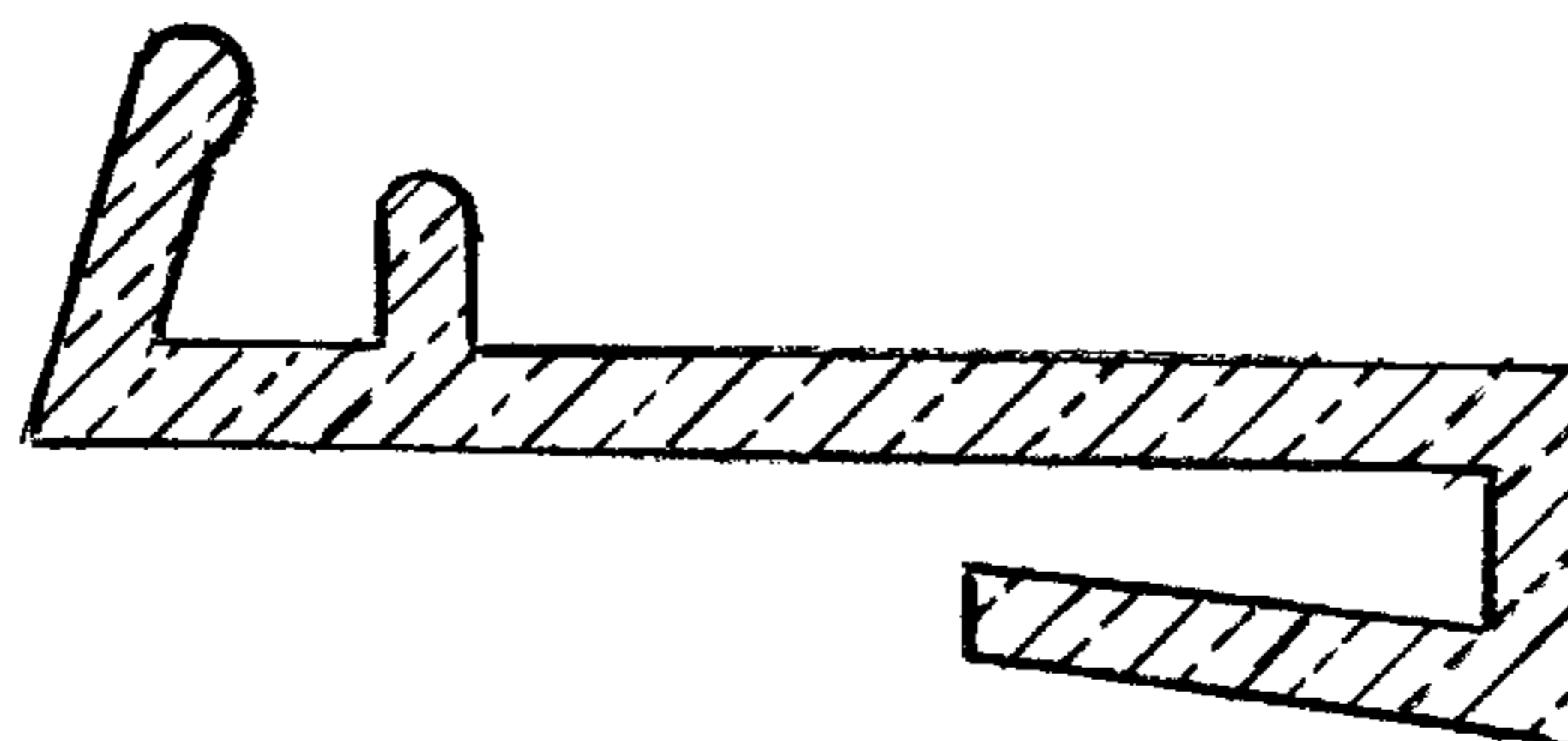


FIG. 2