



US00D490257S

(12) **United States Design Patent**  
Newhouse et al.

(10) **Patent No.:** **US D490,257 S**

(45) **Date of Patent:** **\*\* May 25, 2004**

(54) **DRAWER**

(75) Inventors: **Thomas J. Newhouse**, Grand Rapids, MI (US); **James A. Grinestaff**, Lancaster, PA (US)

(73) Assignee: **Viking Cabinetry Group, LLC**, Greenwood, MS (US)

(\*\*) Term: **14 Years**

(21) Appl. No.: **29/177,731**

(22) Filed: **Mar. 14, 2003**

(51) **LOC (7) Cl.** ..... **06-06**

(52) **U.S. Cl.** ..... **D6/510**

(58) **Field of Search** ..... D6/991, 509, 510, D6/511; 312/330.1, 348.4, 204

(56) **References Cited**

**U.S. PATENT DOCUMENTS**

- 2,842,420 A \* 7/1958 Hansen et al. .... 312/348.6
- 4,285,559 A \* 8/1981 Koch ..... 312/298
- 4,441,771 A \* 4/1984 Roesler ..... 312/322

**OTHER PUBLICATIONS**

- 79 Furniture Projects for Every Room, Bradford, 1986, Drawer Construction, p. 180.\*
- 79 Furniture Projects for Every Room, Bradford, 1986, Dovetail Joints, p. 17.\*

Furniture Today, Winners Only Advertisement, Drawer Construction, p. 179, Oct. 11, 1999.\*

\* cited by examiner

*Primary Examiner*—Cathron C. Brooks

(74) *Attorney, Agent, or Firm*—Womble Carlyle Sandridge & Rice, PLLC

(57) **CLAIM**

The ornamental design for a drawer, as shown and described.

**DESCRIPTION**

FIG. 1 is a perspective view of the front of the drawer of the present invention with an example drawer front shown in broken lines;

FIG. 2 is a perspective view of the rear of the drawer of the present invention;

FIG. 3 is a top plan view of the drawer of the present invention;

FIG. 4 is a bottom plan view of the drawer of the present invention;

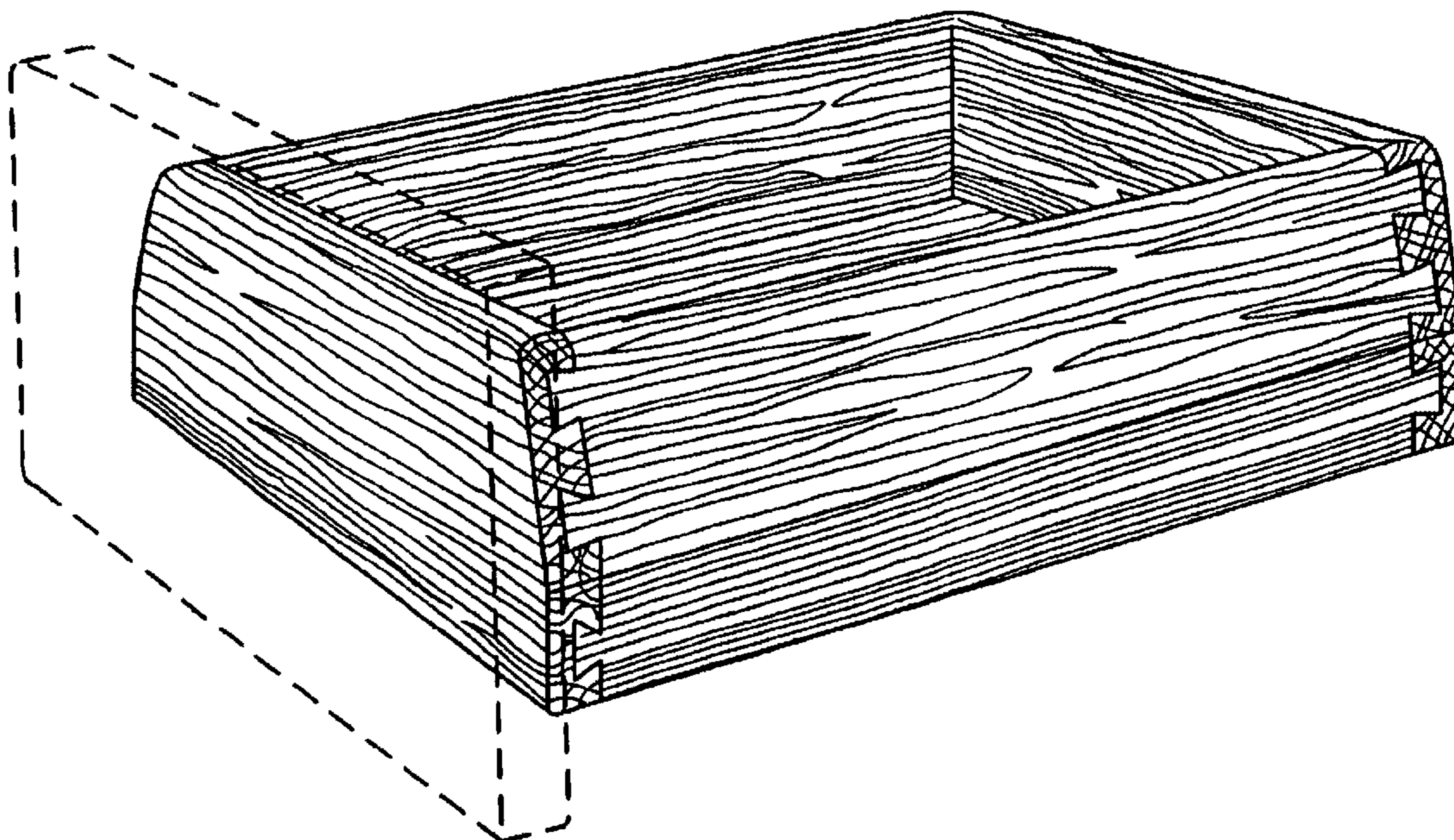
FIG. 5 is a side elevational view of the drawer of the present invention;

FIG. 6 is an end view of the drawer of the present invention, taken from the rear end thereof; and,

FIG. 7 is an end view of the drawer of the present invention, taken from the front end thereof.

The broken lines shown are for illustrative purposes only and form no part of the claimed design.

**1 Claim, 3 Drawing Sheets**



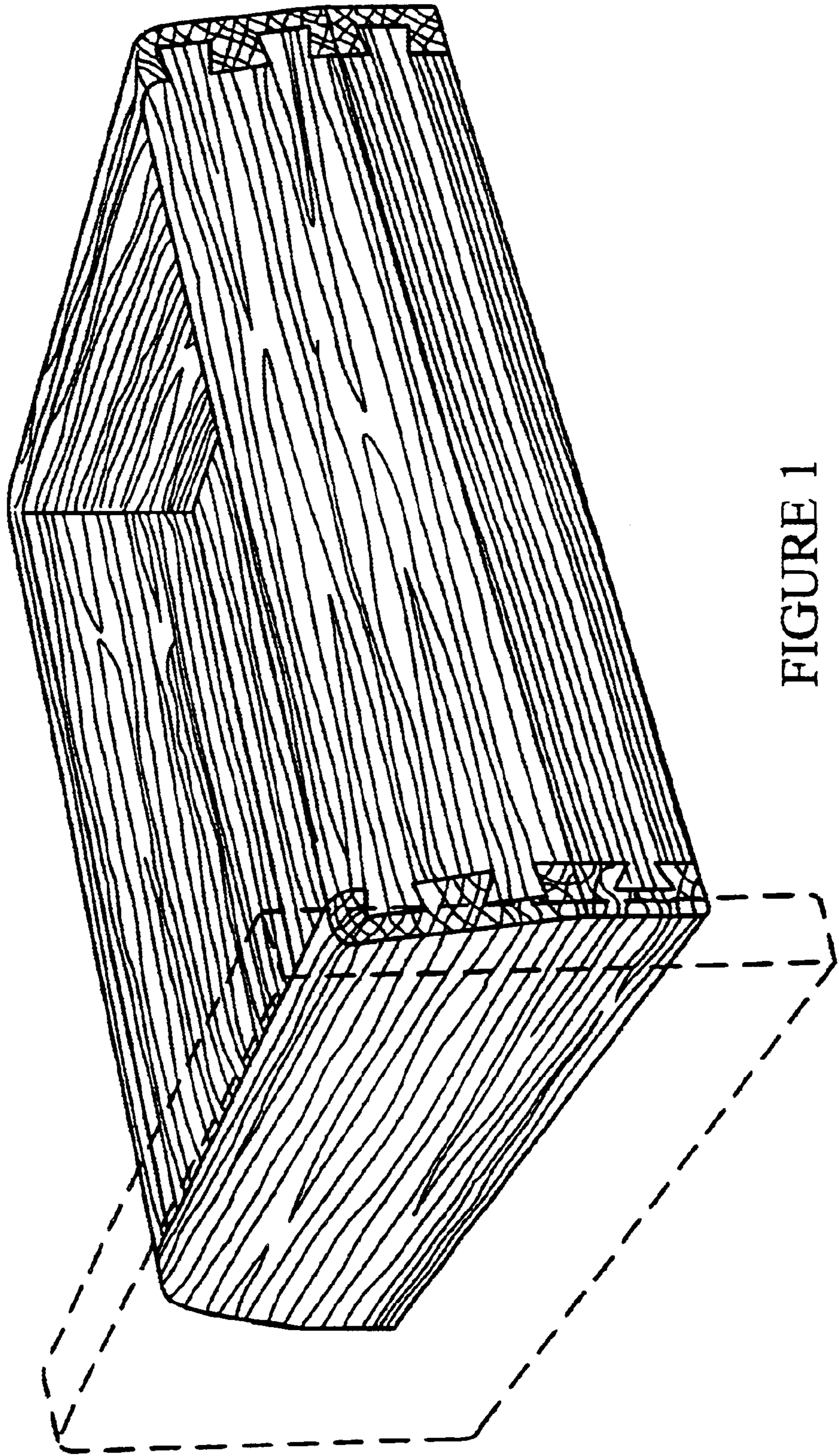


FIGURE 1

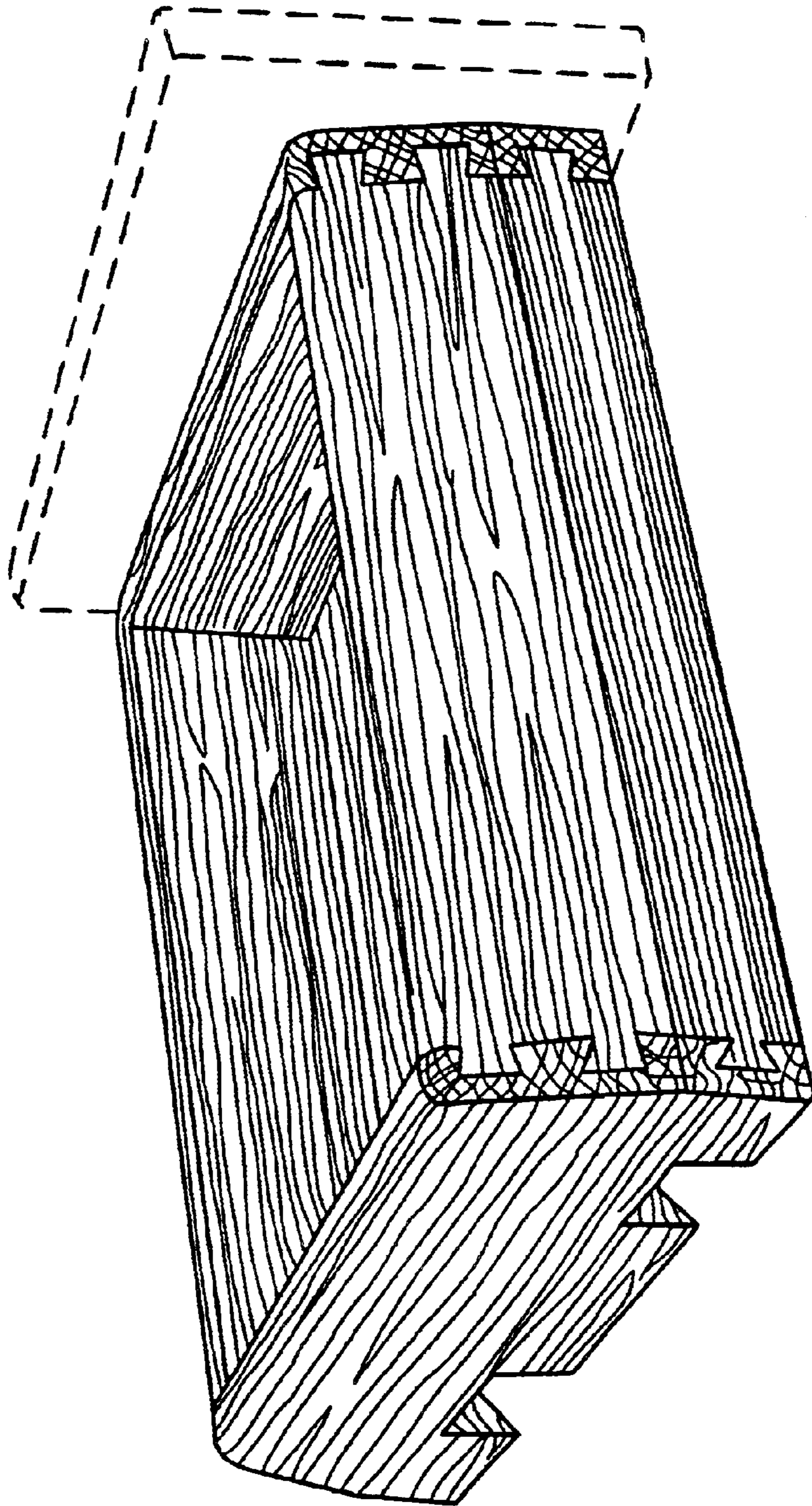


FIGURE 2

FIGURE 4

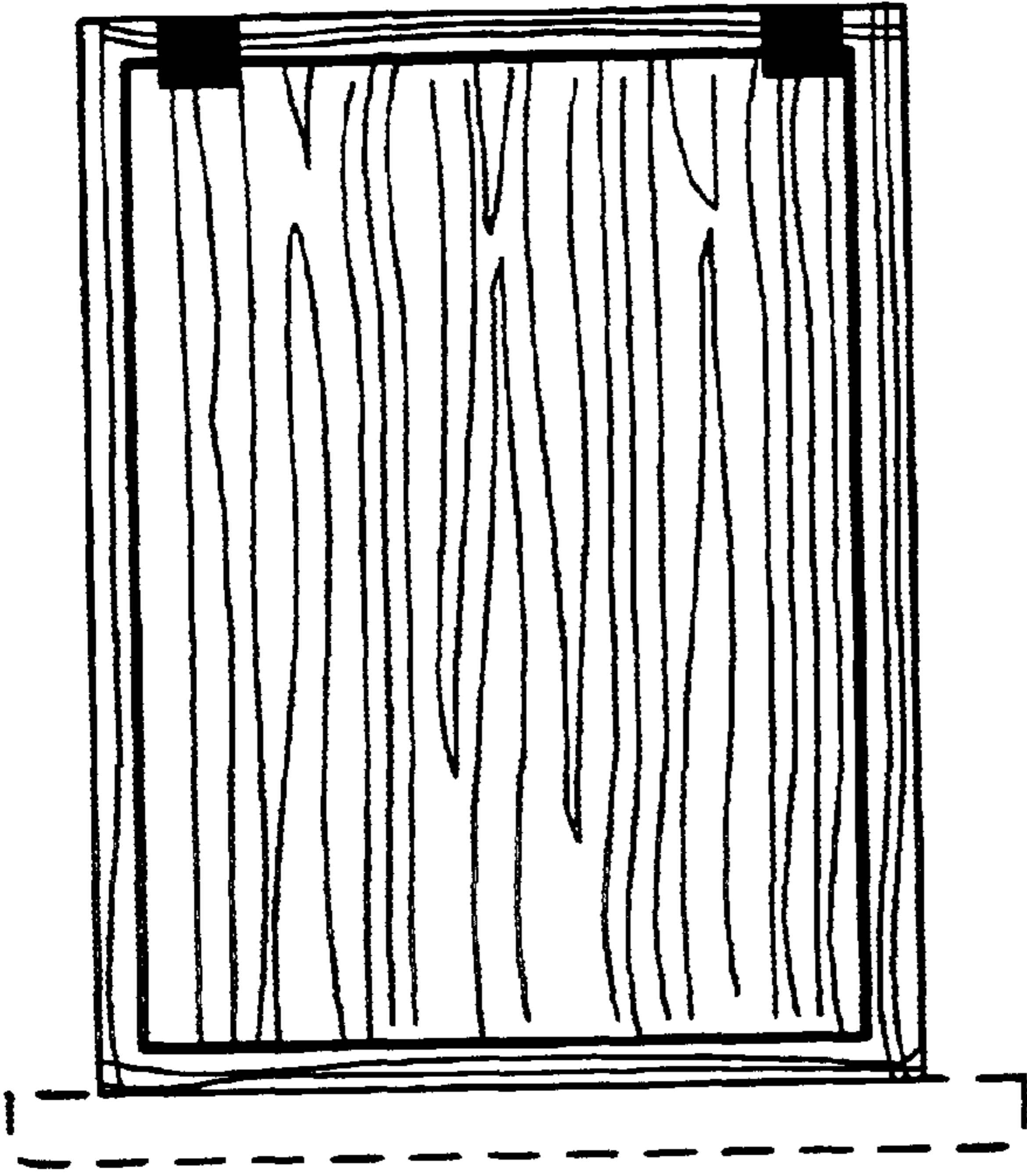


FIGURE 6

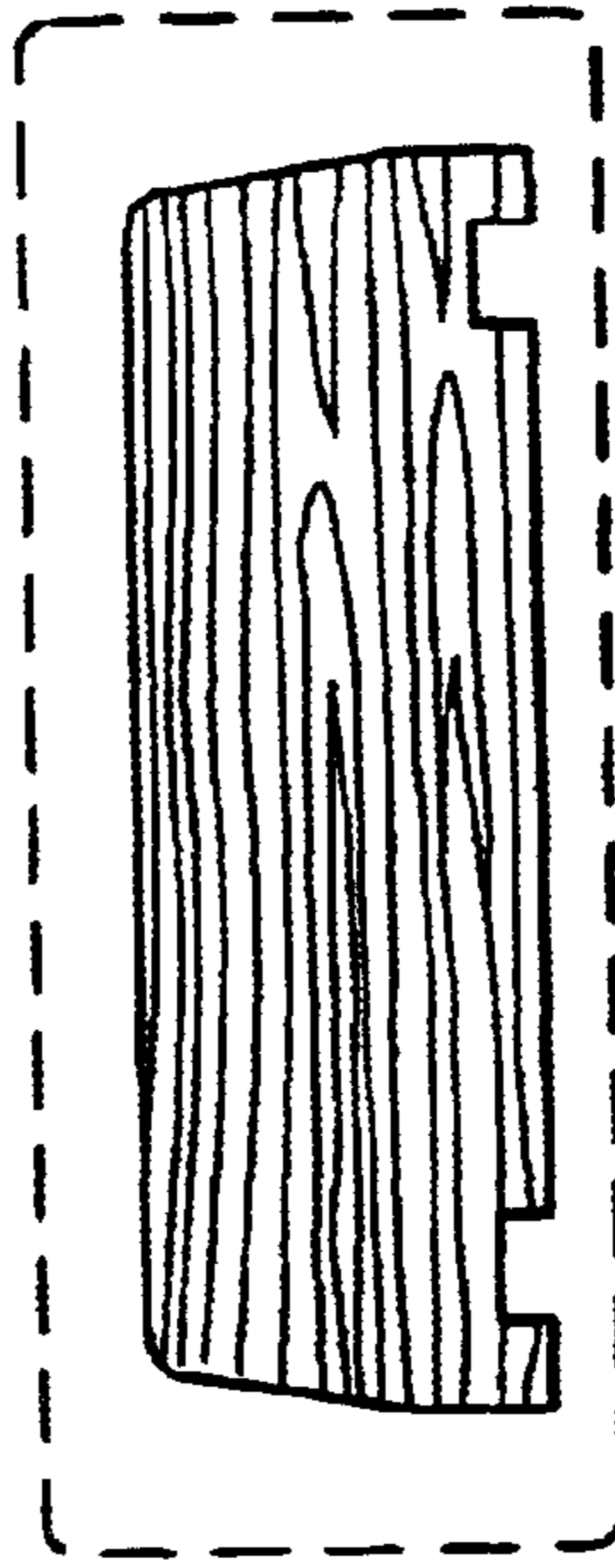


FIGURE 7

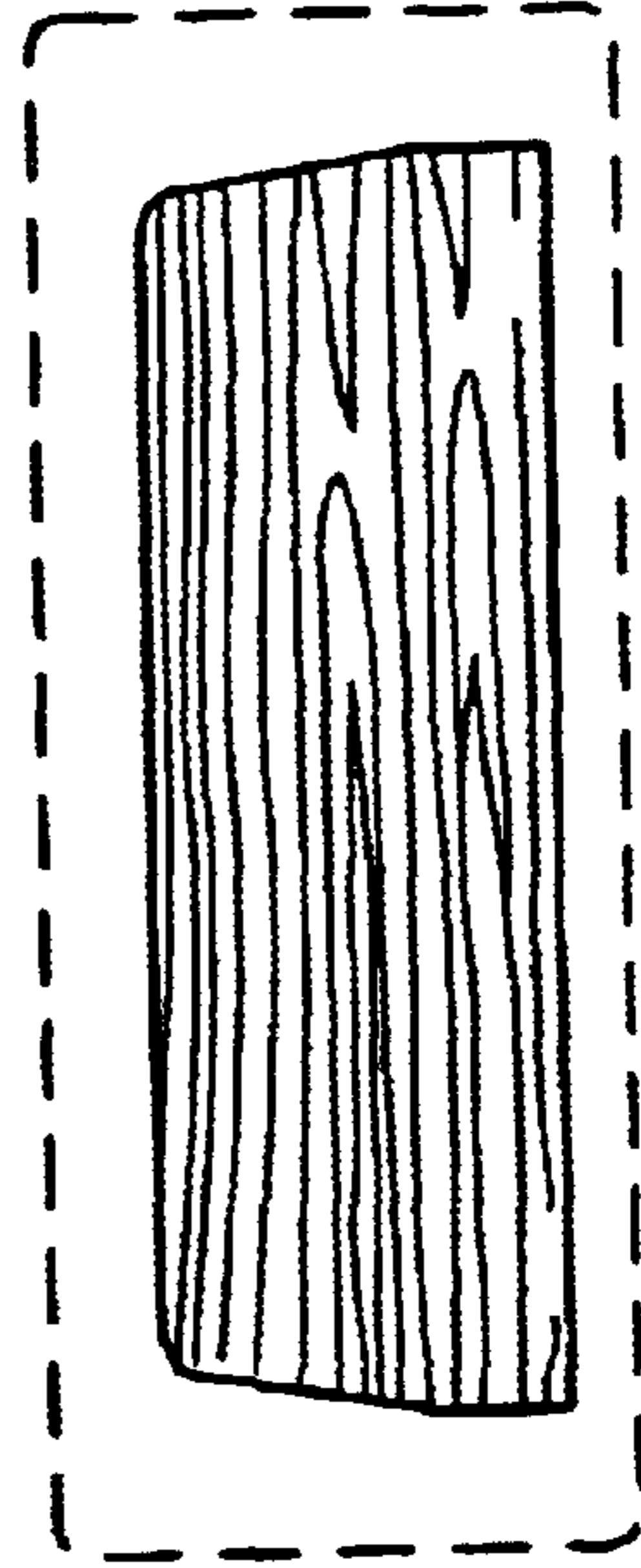


FIGURE 3

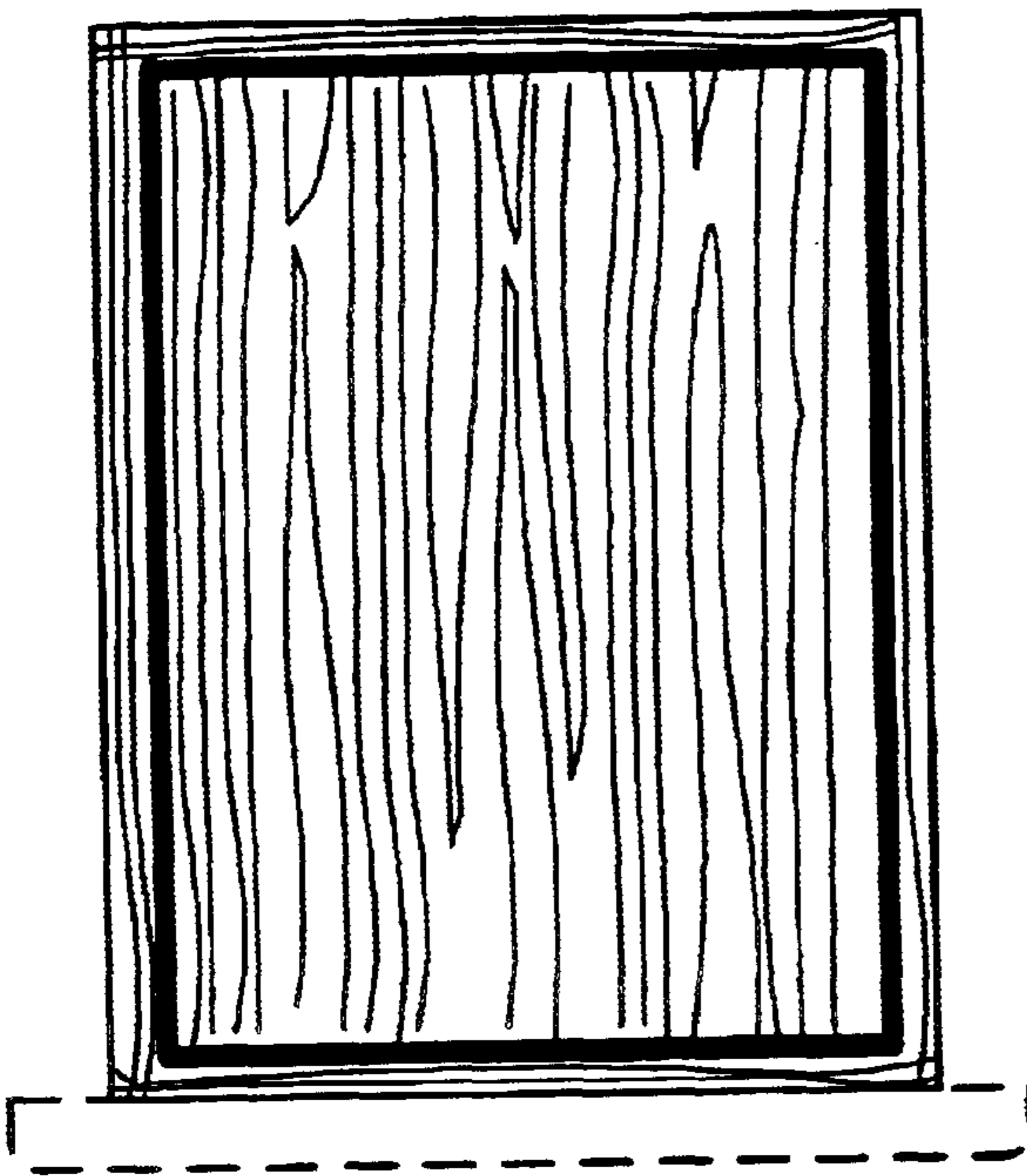


FIGURE 5

