



US00D490252S

(12) **United States Design Patent**
Newhouse

(10) **Patent No.:** **US D490,252 S**

(45) **Date of Patent:** **** May 25, 2004**

(54) **FOLDING CONFERENCE/TRAINING TABLE WITH BENT STEEL TUBE LEG**

D180,283 S * 5/1957 Hoven et al. D6/487
D438,730 S * 3/2001 DaUrso et al. D6/480
6,564,723 B2 * 5/2003 Shapton 108/50.02

(76) **Inventor:** **Thomas James Newhouse, O-10923**
2nd Ave., Grand Rapids, MI (US)
49544-6753

* cited by examiner

Primary Examiner—Janice E. Seeger
(74) *Attorney, Agent, or Firm*—McGarry Bair PC

(**) **Term:** **14 Years**

(57) **CLAIM**

(21) **Appl. No.:** **29/178,825**

The design for a folding conference/training table with bent steel tube leg, as shown and described.

(22) **Filed:** **Apr. 1, 2003**

DESCRIPTION

(51) **LOC (7) Cl.** **06-03**

FIG. 1 is a perspective view of the ornamental design for a folding conference/training table with bent steel tube leg according to the invention.

(52) **U.S. Cl.** **D6/429; D6/487**

FIG. 2 is a top plan view of the table of FIG. 1.

(58) **Field of Search** D6/480-489, 495-499,

D6/511, 422, 426, 427; 108/153.1, 155, 156, 157.1, 161, 50.01, 50.02, 150; 248/188, 188.1, 188.7, 188.8

FIG. 3 is a bottom plan view of the table of FIG. 1.

FIG. 4 is a left elevational view of the table of FIG. 1.

FIG. 5 is a right elevational view of the table of FIG. 1; and,

FIG. 6 is a front elevational view of the table of FIG. 1.

(56) **References Cited**

U.S. PATENT DOCUMENTS

D178,839 S * 9/1956 Jacoby D6/484

1 Claim, 4 Drawing Sheets





Fig. 1

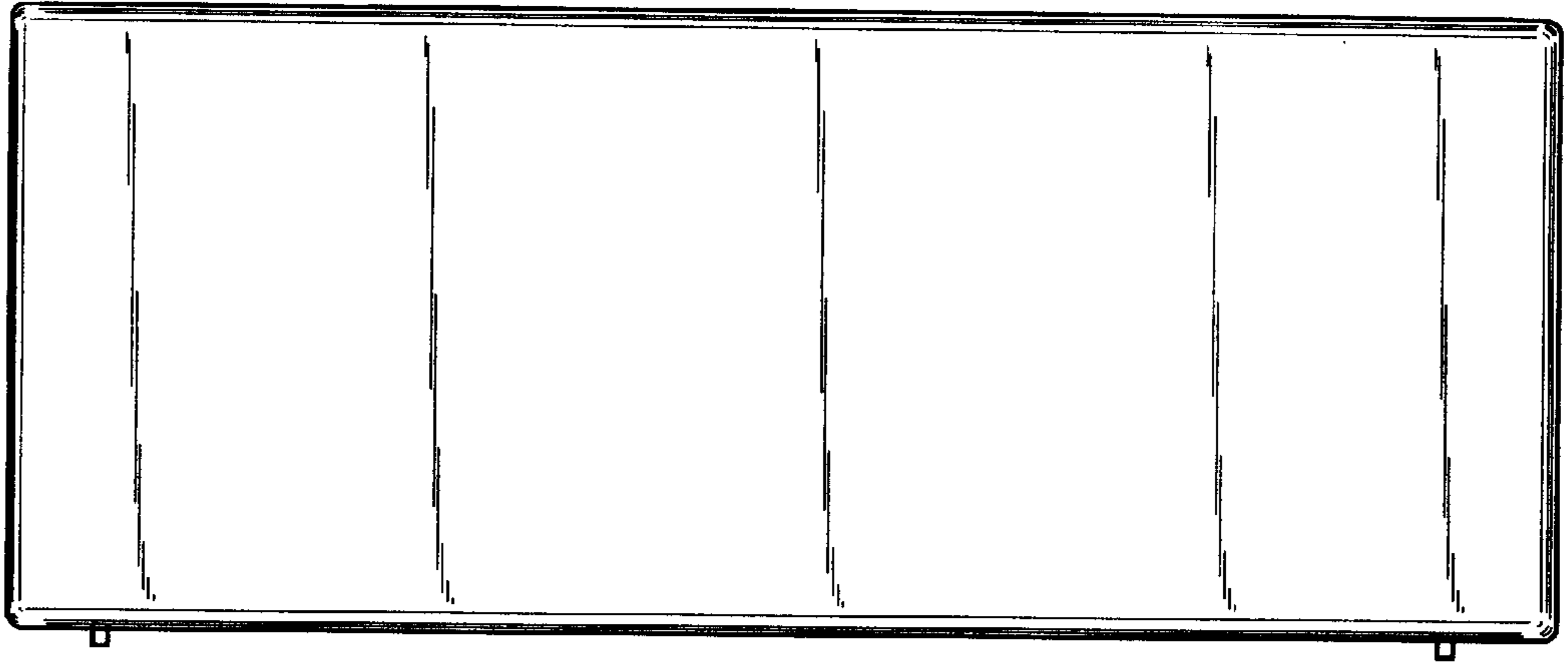


Fig. 2

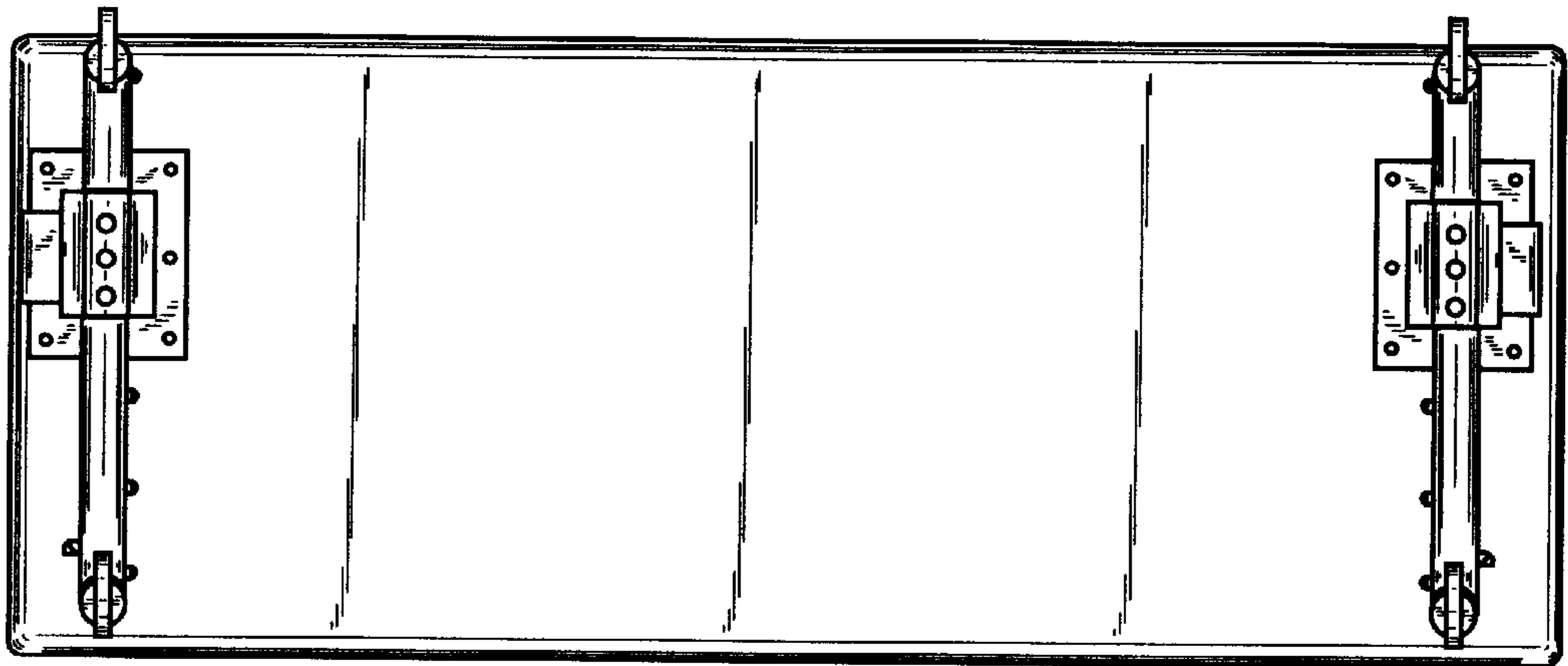


Fig. 3

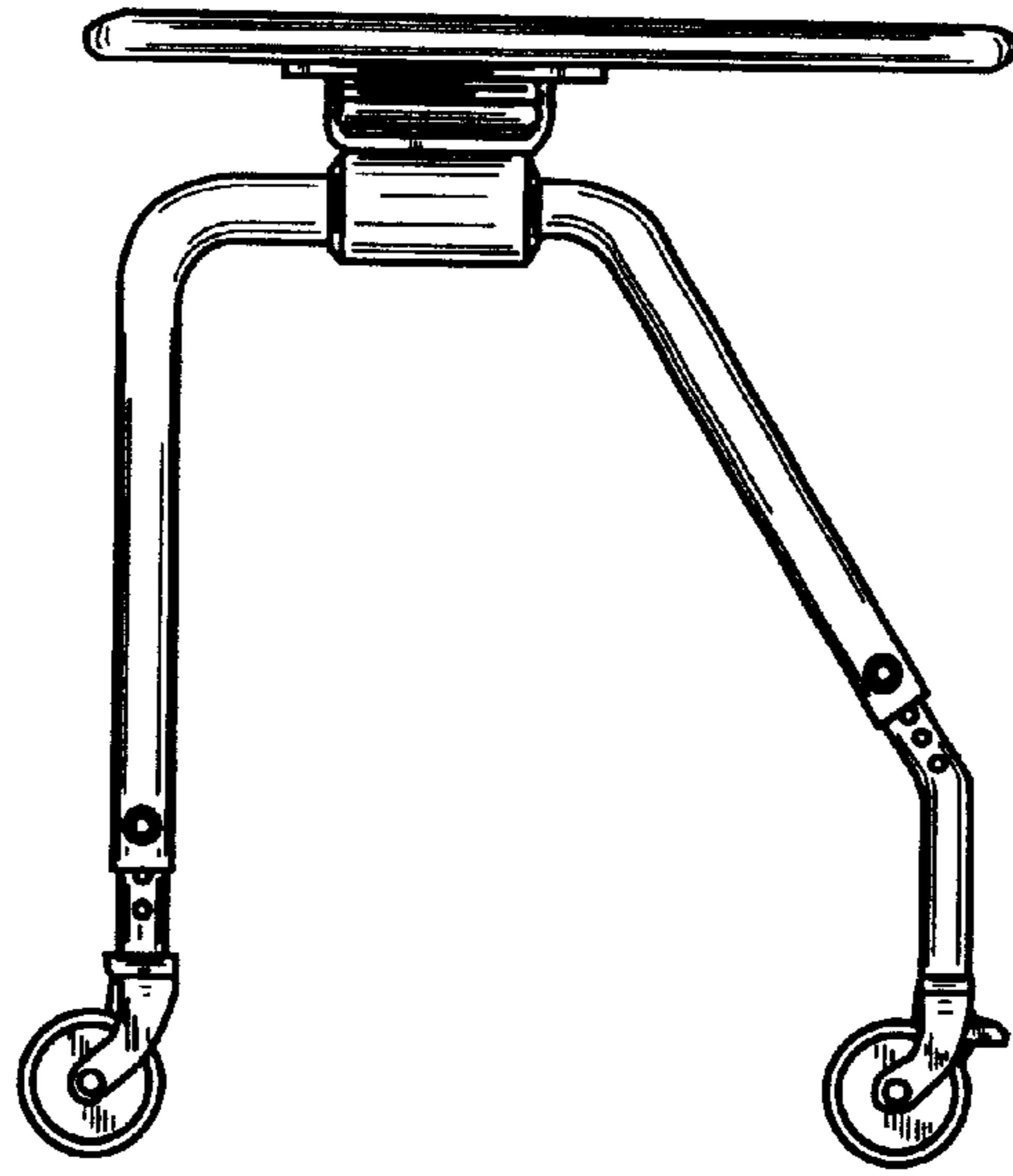


Fig. 4

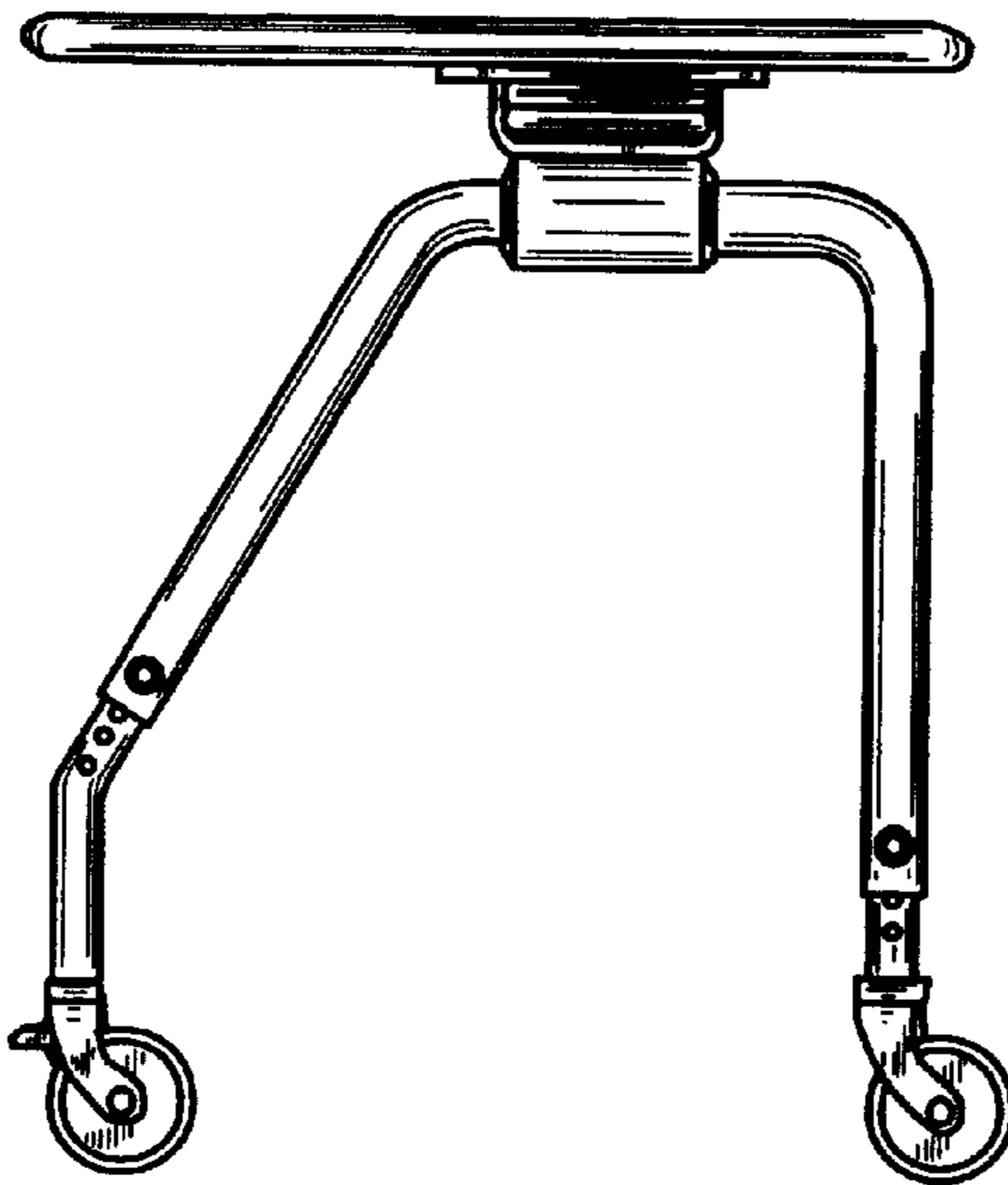


Fig. 5

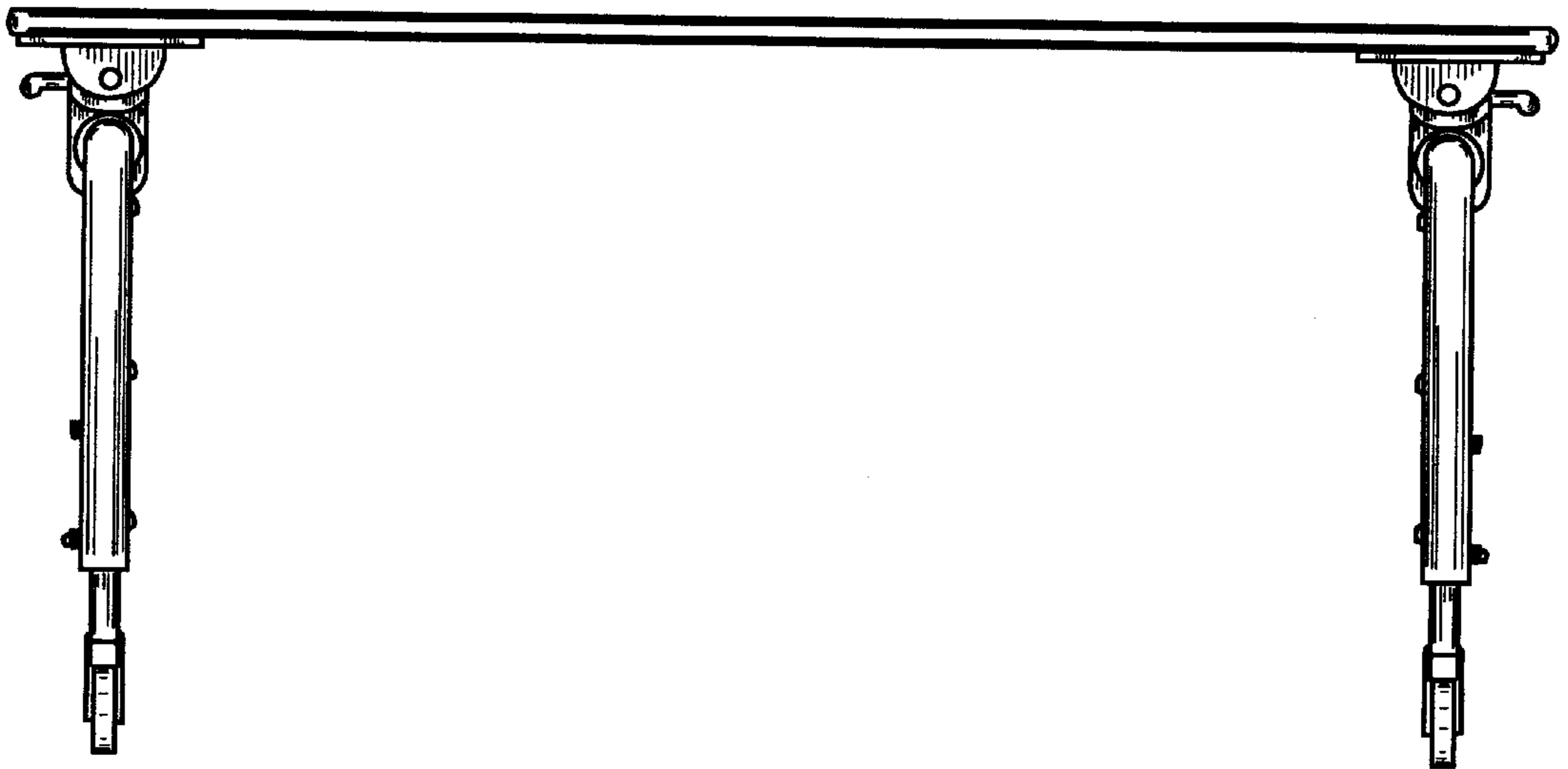


Fig. 6