



US00D490246S

(12) **United States Design Patent**  
**Davis**

(10) **Patent No.:** **US D490,246 S**

(45) **Date of Patent:** **\*\* May 25, 2004**

(54) **HANDLE FOR BAG**

(75) Inventor: **Robert P. Davis**, Vidalia, GA (US)

(73) Assignee: **Tumi, Inc.**, South Plainfield, NJ (US)

(\*\*) Term: **14 Years**

(21) Appl. No.: **29/178,160**

(22) Filed: **Mar. 21, 2003**

(51) **LOC (7) Cl.** ..... **03-99**

(52) **U.S. Cl.** ..... **D3/318**

(58) **Field of Search** ..... D3/318, 321, 322,  
D3/323, 324, 273, 276, 279, 281, 282,  
291; 16/113.1; 24/599.5; 150/111; 190/18 A,  
39, 102, 108, 115; 280/37, 654

(56) **References Cited**

**U.S. PATENT DOCUMENTS**

4,782,556 A	11/1988	Kim	.....	16/125
D322,357 S	* 12/1991	King	.....	D3/279
5,277,449 A	* 1/1994	Schmidt	.....	280/47.26
D358,031 S	* 5/1995	Aumasson	.....	D3/318

5,494,157 A	*	2/1996	Golenz et al.	.....	190/115
5,813,504 A	*	9/1998	Iny et al.	.....	190/116
D463,119 S	*	9/2002	Kawai	.....	D3/276

\* cited by examiner

*Primary Examiner*—Louis S. Zarfaz

*Assistant Examiner*—Monica A. Weingart

(74) *Attorney, Agent, or Firm*—Baker Botts L.L.P.

(57) **CLAIM**

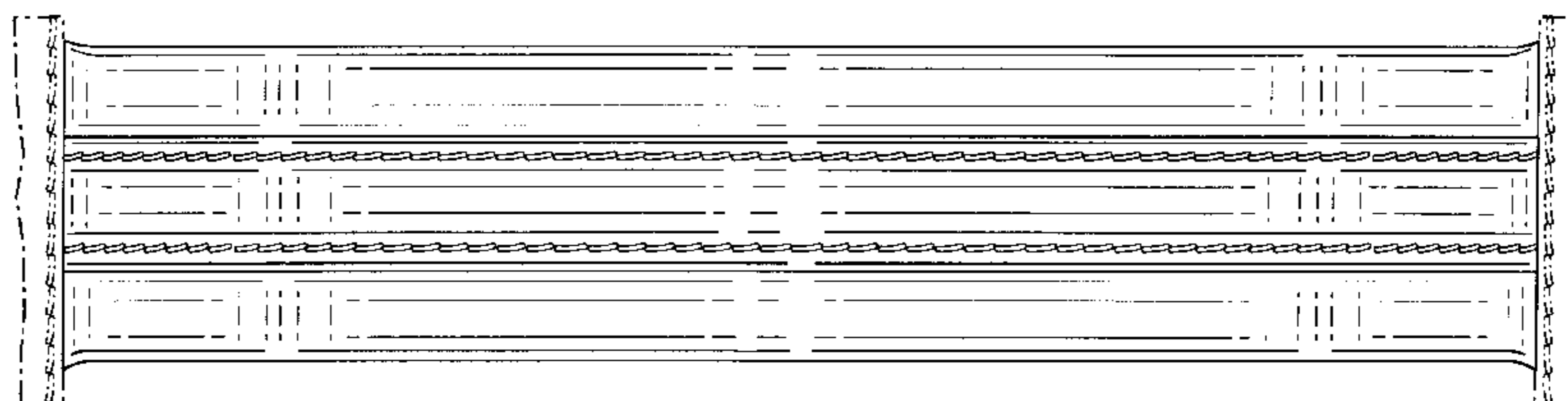
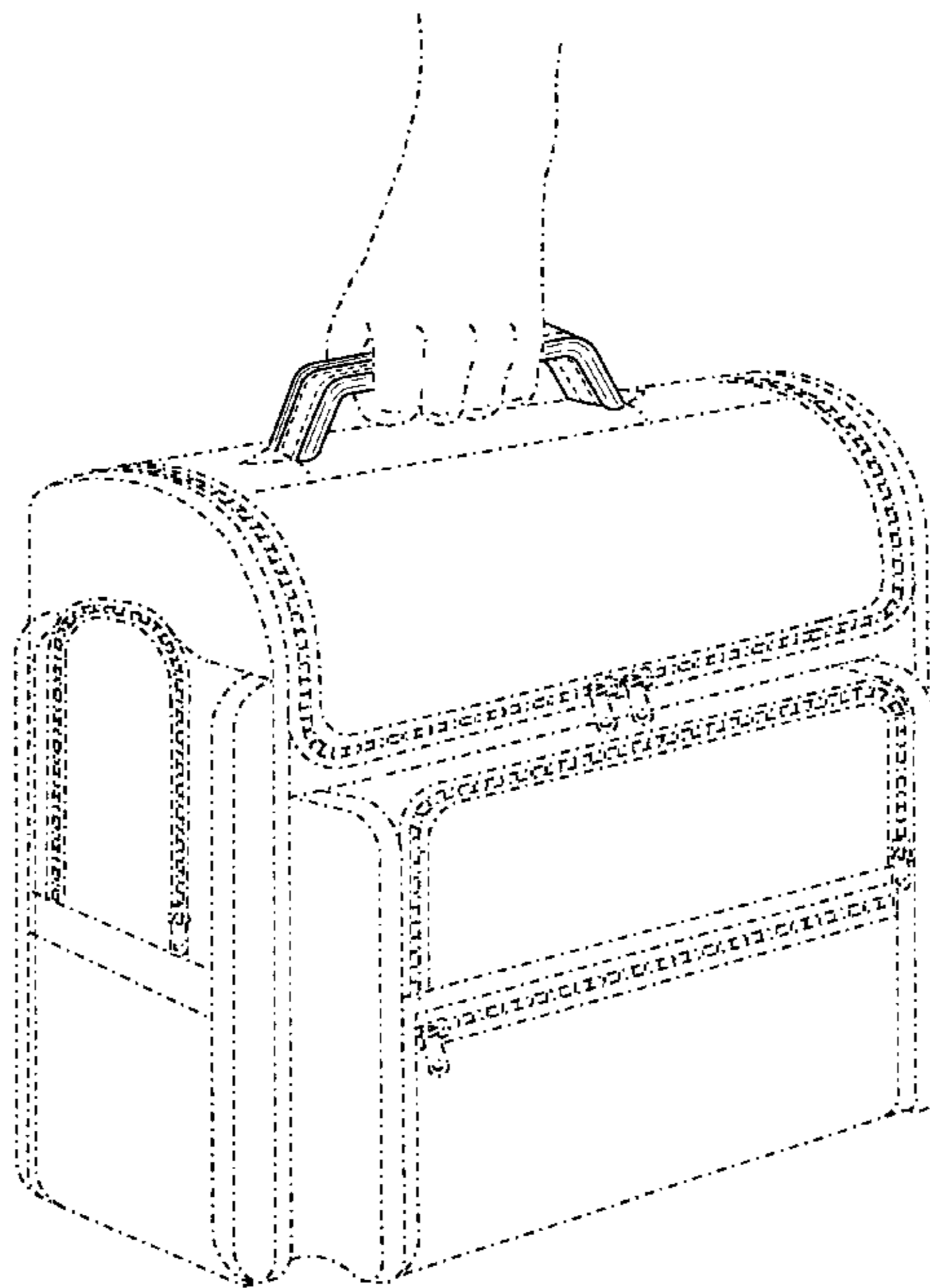
The ornamental design of a handle for bag, as shown and described.

**DESCRIPTION**

FIG. 1 is a perspective view of a handle for bag showing my new design as attached to a bag shown in broken lines; FIG. 2 is a top view of the embodiment of FIG. 1; FIG. 3 is a front view of the embodiment of FIG. 1, the rear view being identical; and, FIG. 4 is a right side view of the embodiment of FIG. 1, the left side view being identical.

The broken lines are provided for illustrative purposes only and form no part of the claimed design.

**1 Claim, 2 Drawing Sheets**



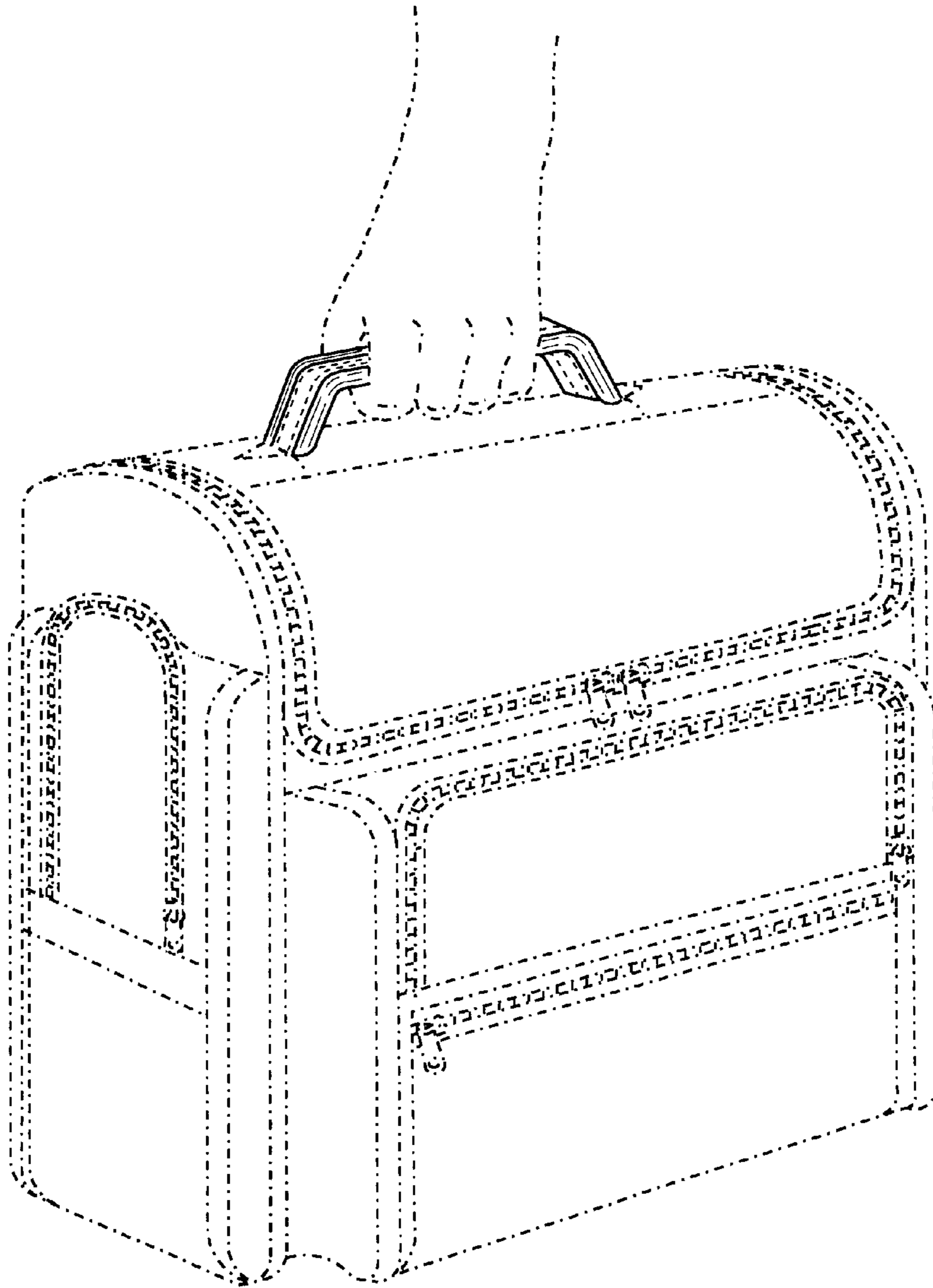


FIG. 1

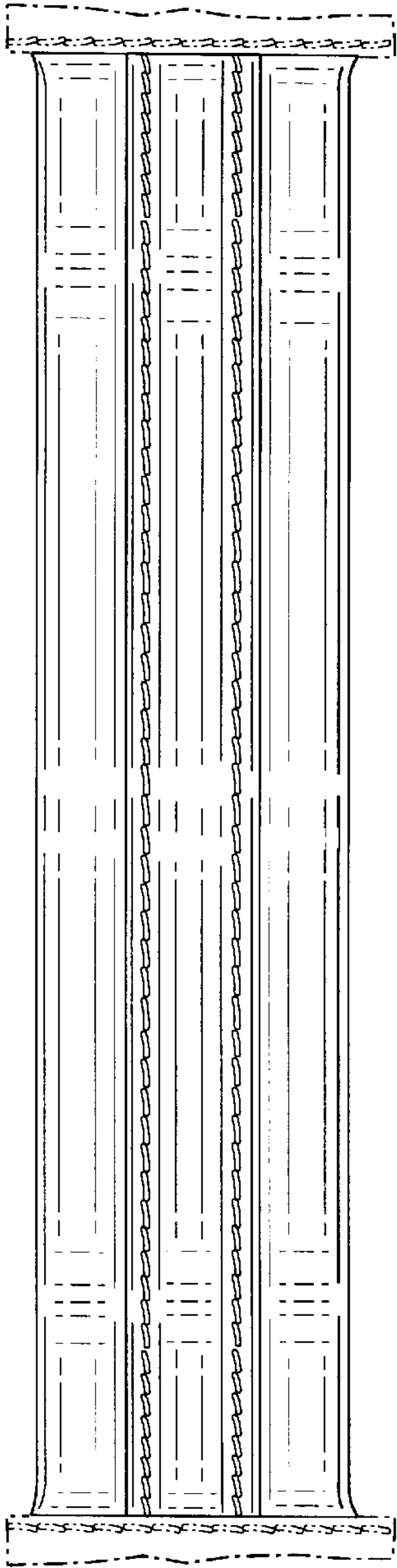


FIG. 2

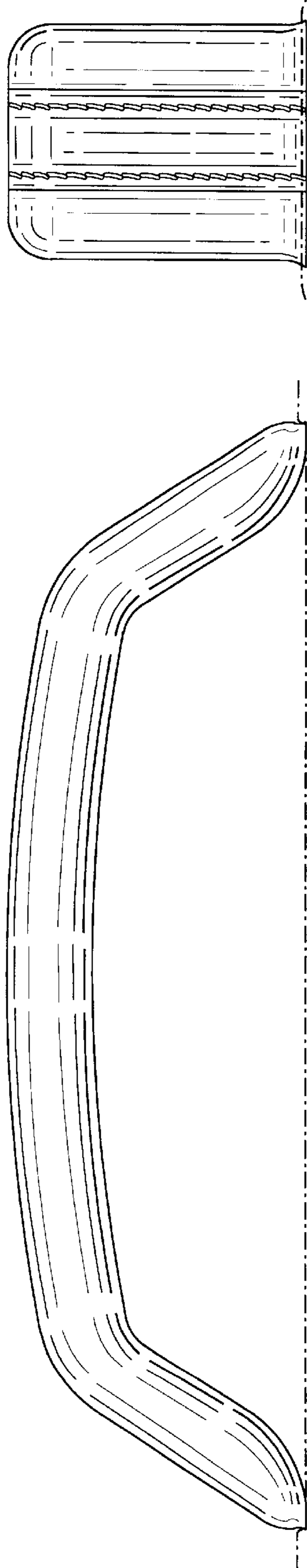


FIG. 4

FIG. 3