



US00D490245S

(12) **United States Design Patent**
Brouard

(10) **Patent No.:** **US D490,245 S**

(45) **Date of Patent:** **** May 25, 2004**

(54) **HANDLE FOR BAG**

(76) **Inventor:** **Roger Brouard**, 1 Lane Rd., Norwalk,
CT (US) 06851

(**) **Term:** **14 Years**

(21) **Appl. No.:** **29/167,629**

(22) **Filed:** **Sep. 17, 2002**

(51) **LOC (7) Cl.** **03-99**

(52) **U.S. Cl.** **D3/318**

(58) **Field of Search** D3/318, 323, 324,
D3/325; 150/110, 112, 120, 121; 70/66;
312/244; 206/287, 554, 806; 383/4, 15,
16, 25, 35, 63

(56) **References Cited**

U.S. PATENT DOCUMENTS

- 2,637,194 A * 5/1953 Pietri 70/66
- 3,313,470 A * 4/1967 Renner et al. 383/15
- 3,363,827 A * 1/1968 Renner et al. 312/224

- 3,889,869 A * 6/1975 Oggesen 190/1 X
- 5,450,964 A * 9/1995 Miller 206/554
- 6,116,424 A * 9/2000 Leu 206/806 X

* cited by examiner

Primary Examiner—Louis S. Zarfes

Assistant Examiner—Monica A. Weingart

(74) *Attorney, Agent, or Firm*—McCormick, Paulding &
Huber LLP

(57) **CLAIM**

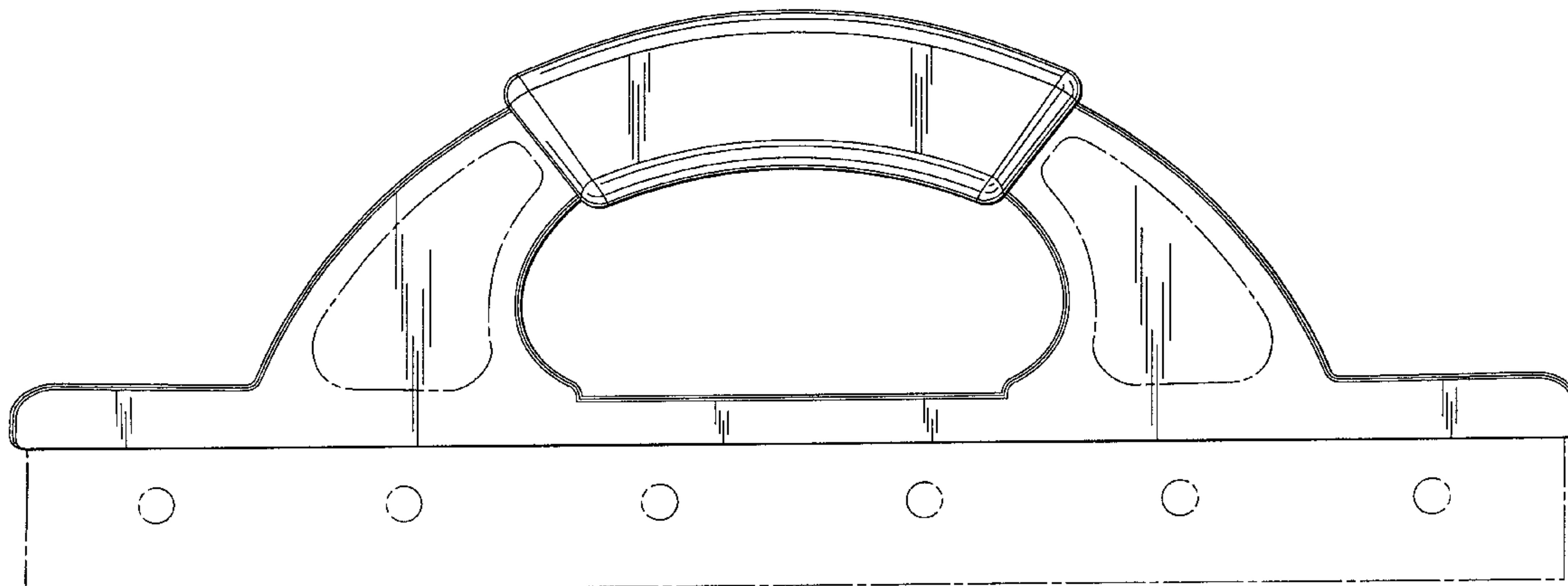
I claim the ornamental design of the handle for bag, as shown and described.

DESCRIPTION

FIG. 1 is a front elevational view of one embodiment of a handle for a bag showing the design of the present invention. FIG. 2 is a top side view thereof; and, FIG. 3 is an end view thereof.

The broken lines shown in FIGS. 1–3 are for illustrative purposes only and form no part of the claimed design.

1 Claim, 2 Drawing Sheets



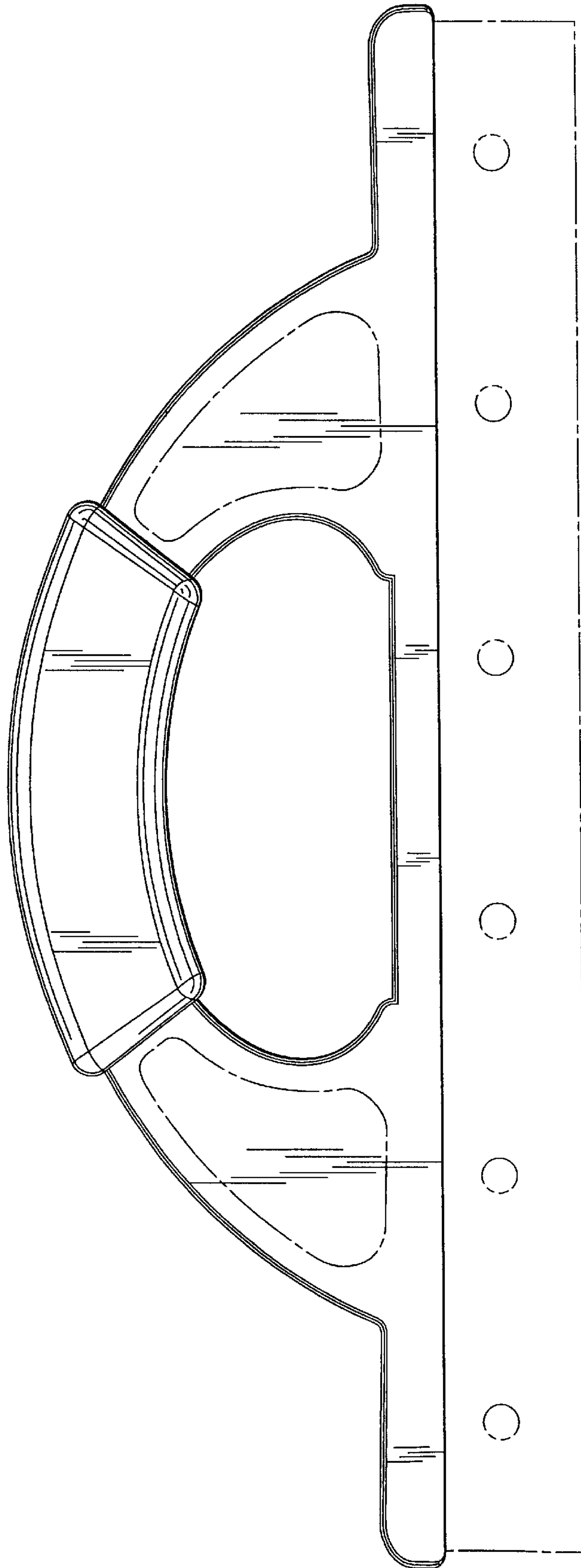


FIG. 1

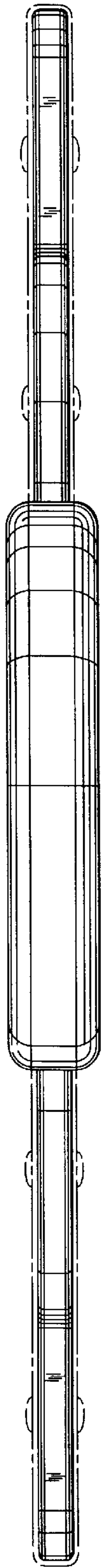


FIG. 2

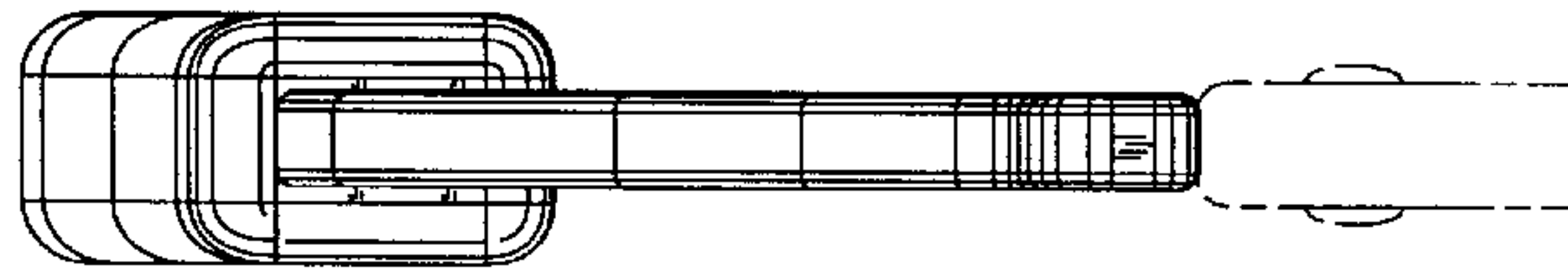


FIG. 3