



US00D490243S

(12) **United States Design Patent**
Domotor

(10) **Patent No.:** **US D490,243 S**

(45) **Date of Patent:** **** May 25, 2004**

(54) **SHOULDER BAG WITH TRANSPARENT
POCKET FOR PERSONAL DIGITAL
ASSISTANT**

D417,782 S * 12/1999 Tawil D3/283
D441,533 S * 5/2001 Tawil D3/283
D464,197 S * 10/2002 Kegels D3/289

(75) Inventor: **Agnes Csilla Domotor**, Jamaica Plain,
MA (US)

* cited by examiner

(73) Assignee: **The Gem Group, Inc.**, Lawrence, MA
(US)

Primary Examiner—Philip S. Hyder

(74) *Attorney, Agent, or Firm*—Cesari and McKenna, LLP;
William A. Loginov

(**) Term: **14 Years**

(57) **CLAIM**

(21) Appl. No.: **29/164,181**

The ornamental design for a shoulder bag with transparent
pocket for personal digital assistant, substantially as shown.

(22) Filed: **Jul. 19, 2002**

DESCRIPTION

(51) **LOC (7) Cl.** **03-01**

(52) **U.S. Cl.** **D3/289; D3/283; D3/900**

(58) **Field of Search** D3/273, 276, 283,
D3/284, 285, 286, 287, 288, 289, 900;
190/100, 109, 110, 111, 112, 900, 901

FIG. 1 is an isometric view from the front of a shoulder bag
with transparent pocket for personal digital assistant incor-
porating the design with opened flap;

FIG. 2 is a front view thereof;

FIG. 3 is a back view thereof;

FIG. 4 is a left-side view thereof;

FIG. 5 is a right-side view thereof;

FIG. 6 is a top view thereof; and,

FIG. 7 is a bottom view thereof.

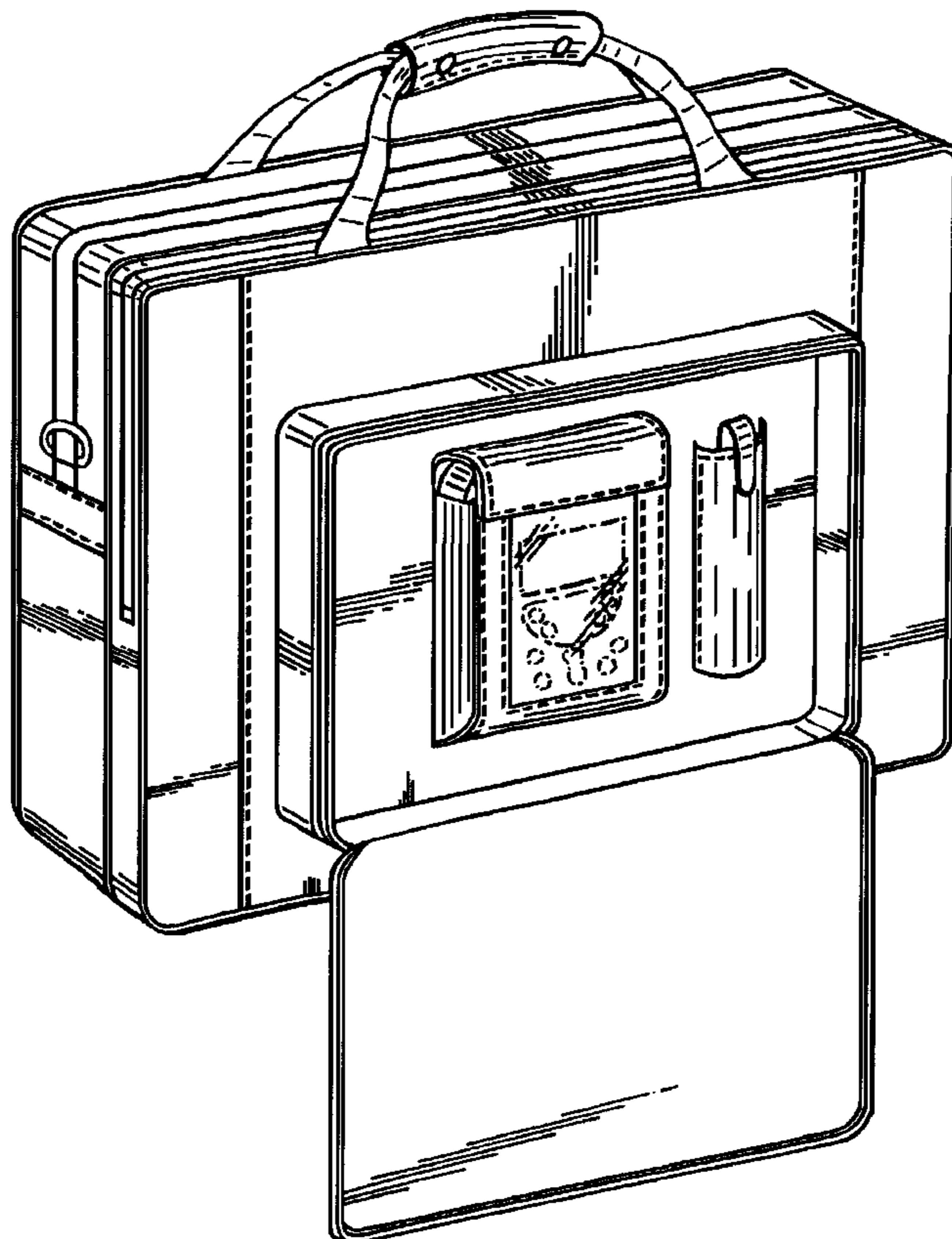
(56) **References Cited**

U.S. PATENT DOCUMENTS

D280,780 S * 10/1985 Thomas D3/285
D284,623 S * 7/1986 Gerch D3/274
D346,694 S * 5/1994 Cyr et al. D3/287
D360,978 S * 8/1995 Willard et al. D3/301
D380,612 S * 7/1997 Kelley et al. D3/289
D399,056 S * 10/1998 Tawil D3/283

The broken line showing the personal digital assistant in
FIG. 1 and FIG. 2 is for illustrative purposes only and forms
no part of the claimed design. The window covering the
digital assistant is transparent.

1 Claim, 5 Drawing Sheets



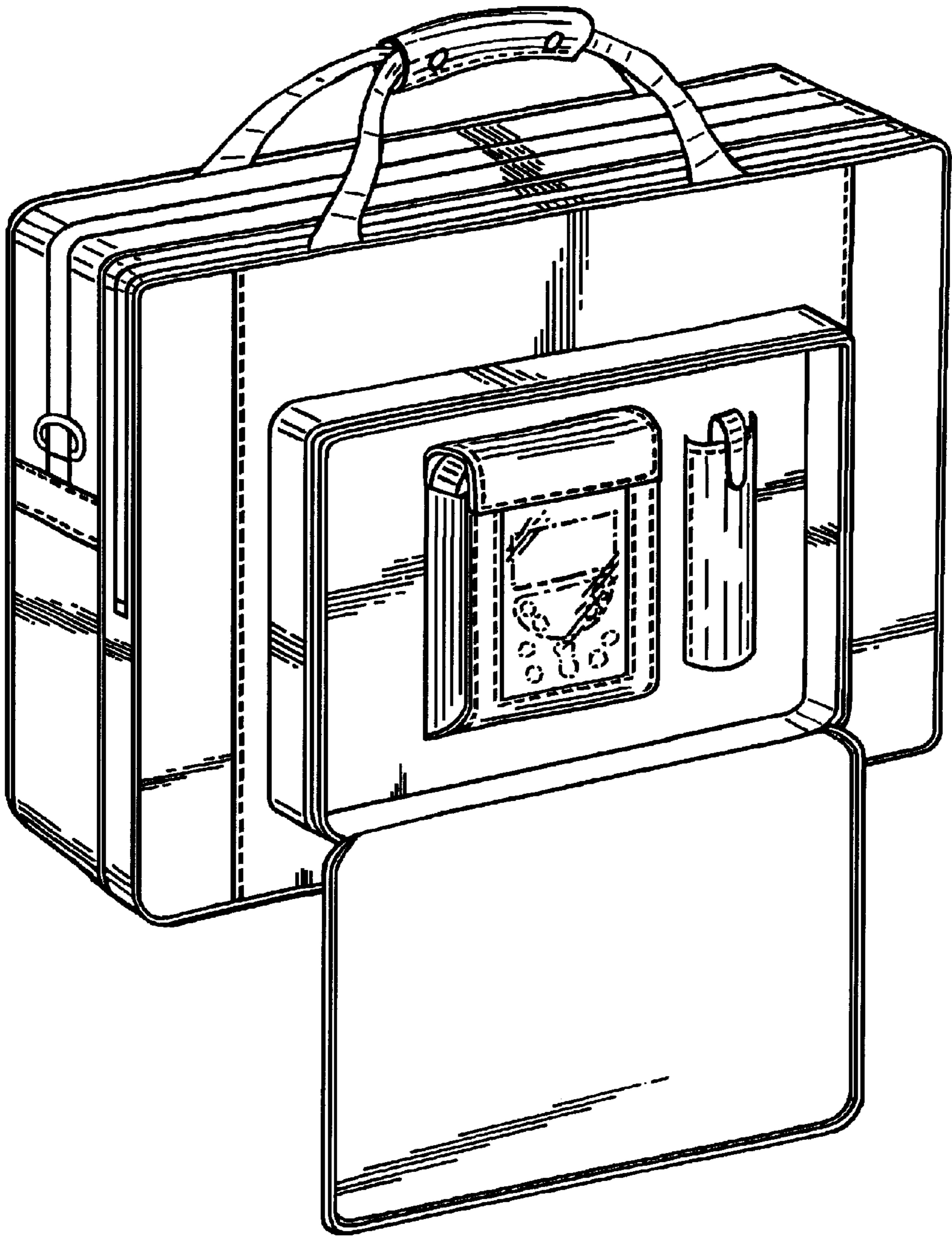


Fig. 1

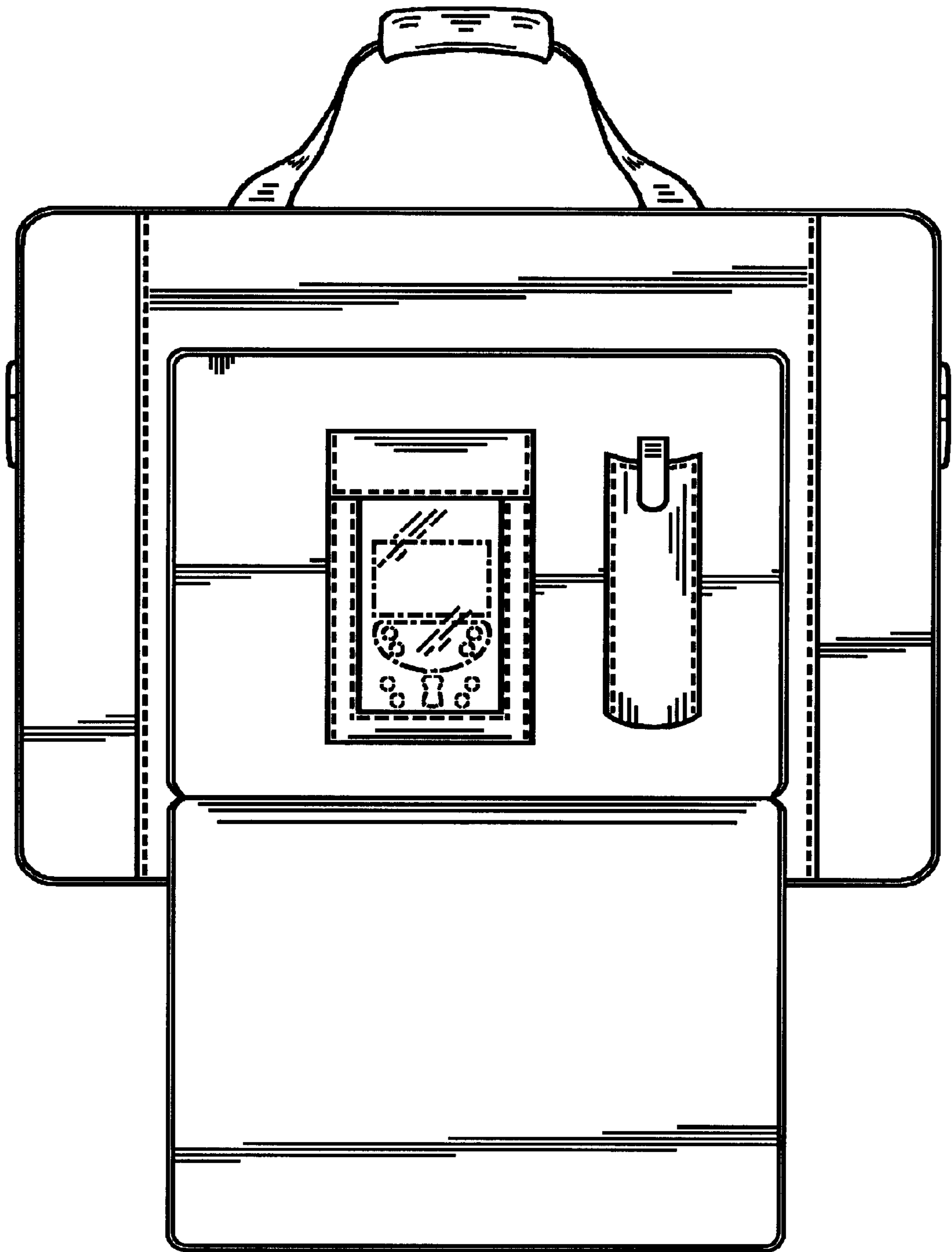


Fig. 2

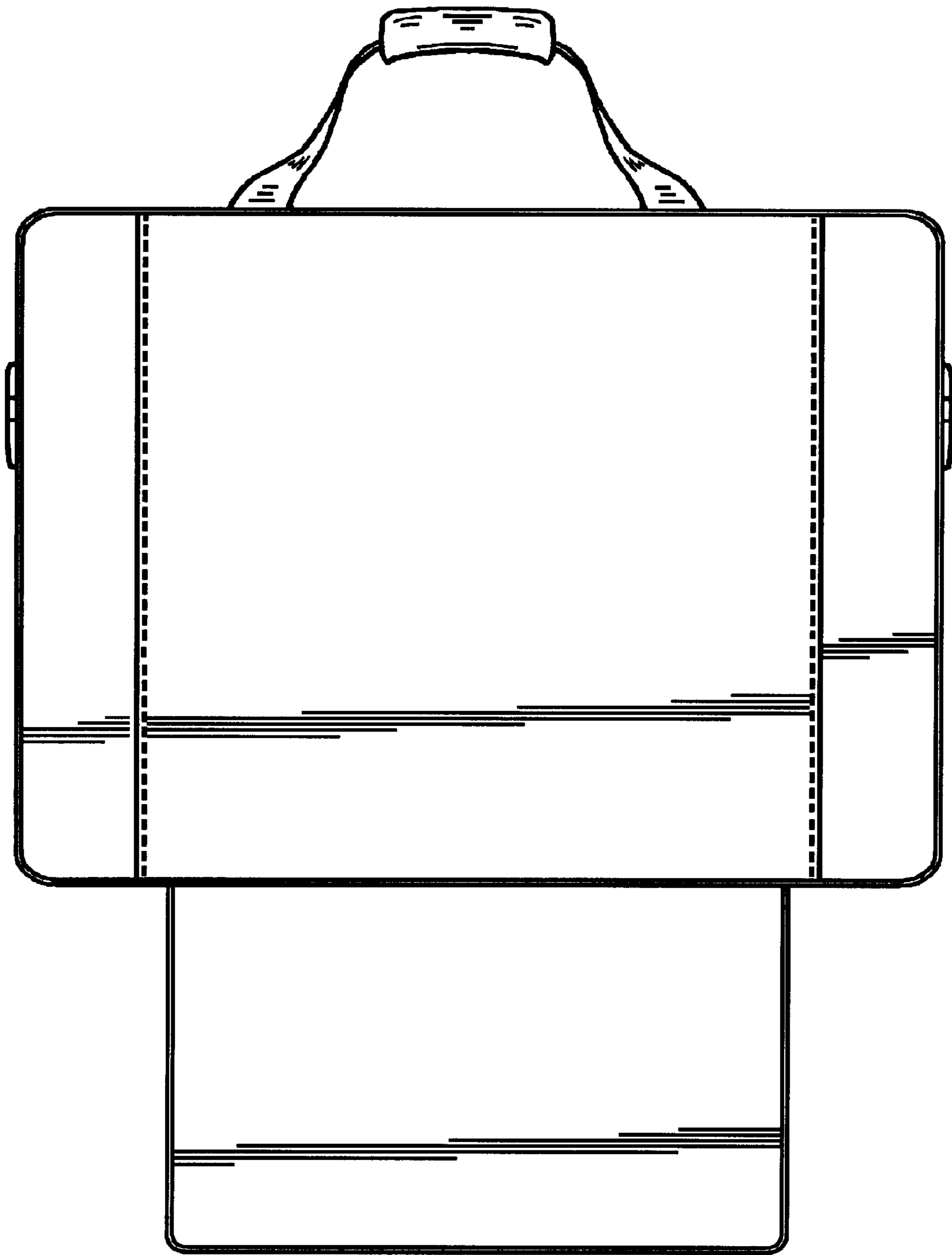


Fig. 3

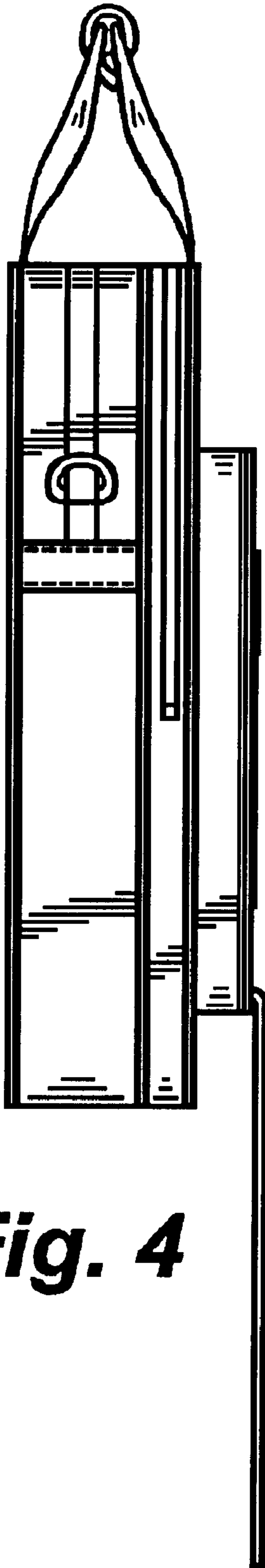


Fig. 4

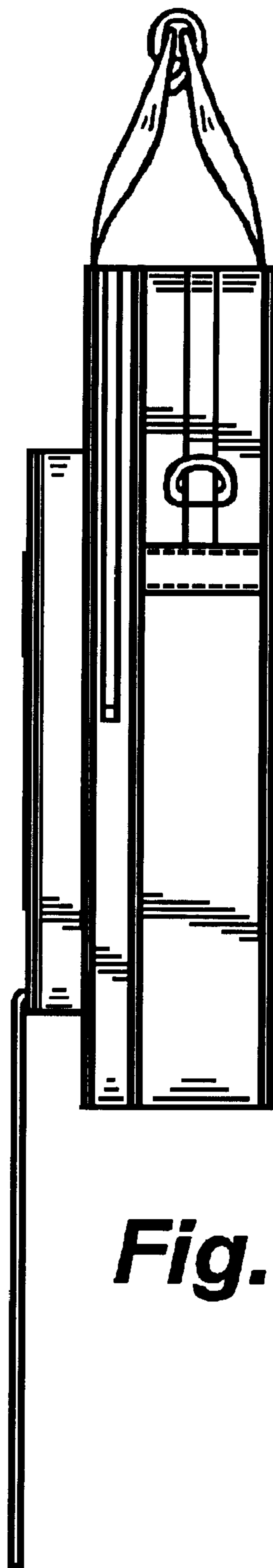


Fig. 5

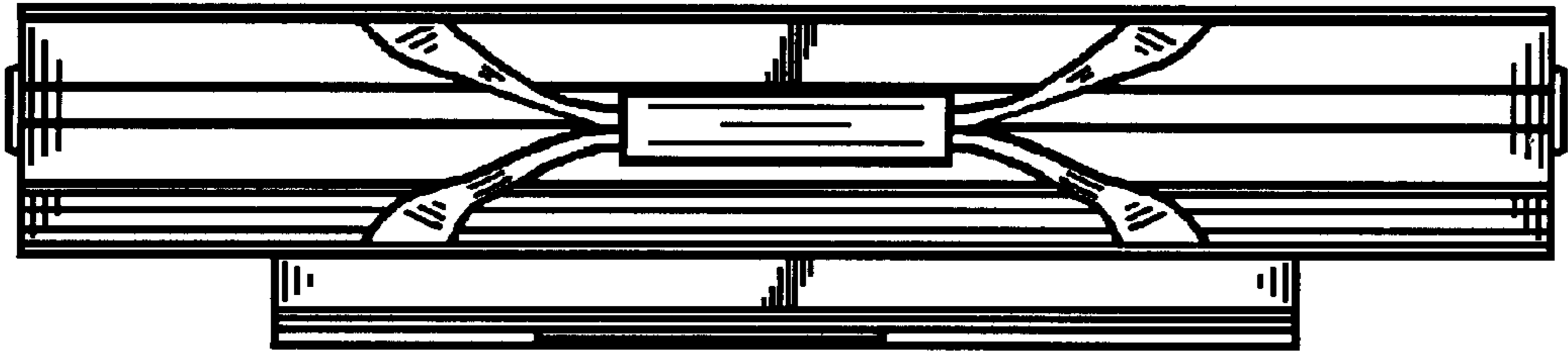


Fig. 6

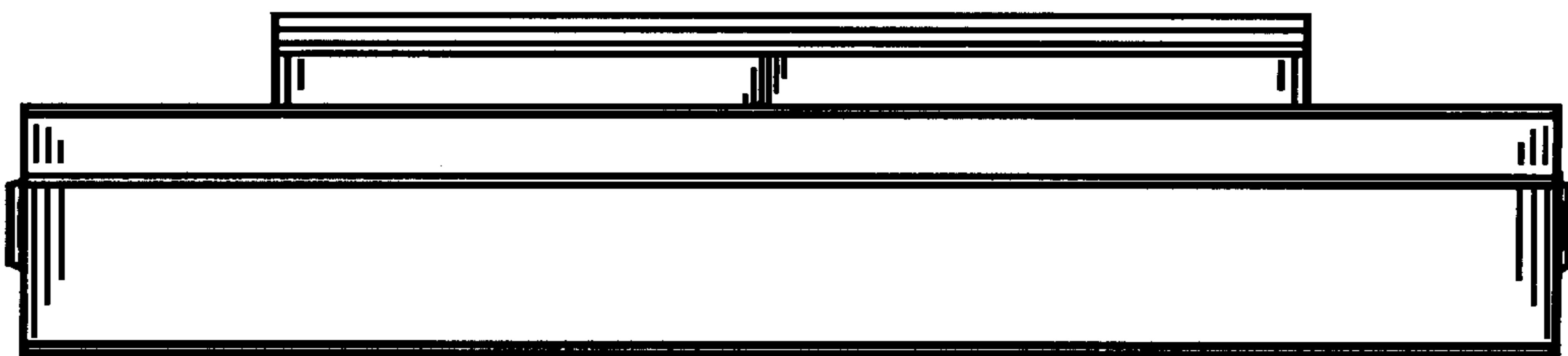


Fig. 7