



US00D490242S

(12) **United States Design Patent**  
**Hassett**

(10) **Patent No.:** **US D490,242 S**

(45) **Date of Patent:** **\*\* May 25, 2004**

(54) **CAMCORDER CARRYING CASE**

D473,051 S \* 4/2003 Hassett ..... D3/267  
D476,480 S \* 7/2003 Hillman ..... D3/263

(75) Inventor: **Eric S. Hassett**, Golden, CO (US)

**OTHER PUBLICATIONS**

(73) Assignee: **Case Logic, Inc.**, Longmont, CO (US)

Case Logic 2003 Catalog, pp. 18 and 21.  
Tamrac 20<sup>th</sup> Anniversary Catalog, pp. 2, 17, 21, 28, 29 and 39.  
LOWEPRO 2000 Catalog, pp. 29 and 31.  
Ambico Video Luggage & Photo Cases Catalog, p. 5.

(\*\*) Term: **14 Years**

\* cited by examiner

(21) Appl. No.: **29/176,973**

(22) Filed: **Feb. 27, 2003**

(51) **LOC (7) Cl.** ..... **03-01**

*Primary Examiner*—Celia Murphy

(52) **U.S. Cl.** ..... **D3/267; D3/273; D3/301**

(74) *Attorney, Agent, or Firm*—Sheridan Ross P.C.

(58) **Field of Search** ..... D3/208, 215, 219,  
D3/225, 226, 243, 263, 267, 268, 270,  
273, 276, 283, 285, 287, 289, 290, 301;  
206/316.1, 316.2; 224/583, 612, 908

(57) **CLAIM**

The ornamental design for a camcorder carrying case, as shown and described.

(56) **References Cited**

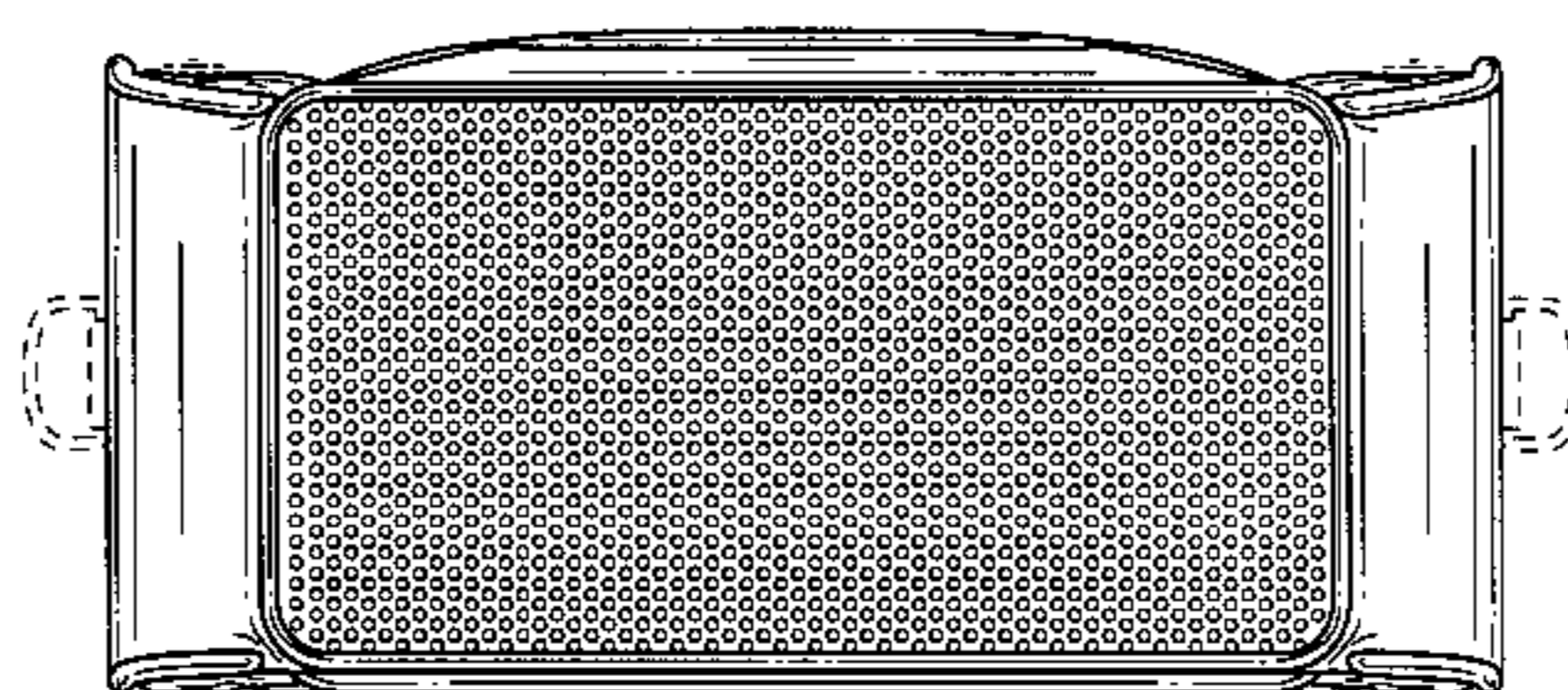
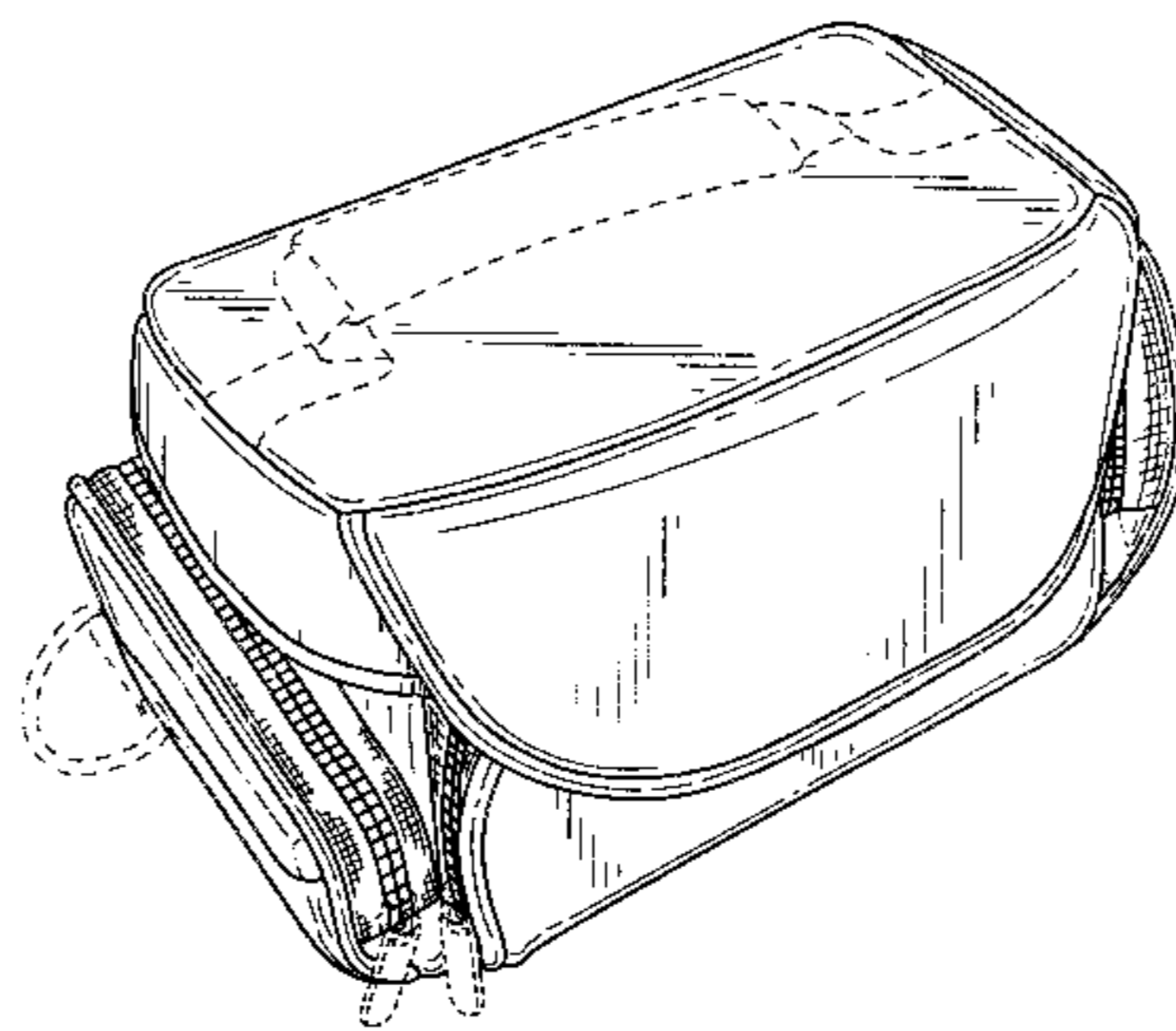
**DESCRIPTION**

**U.S. PATENT DOCUMENTS**

2,960,137	A	*	11/1960	Lipsitz	
D257,906	S	*	1/1981	Weinreb	D3/268
D281,120	S	*	10/1985	Rabinowitz	D3/290
D312,530	S	*	12/1990	Gallen et al.	D3/268
D325,128	S	*	4/1992	Cyr et al.	D3/287
5,201,867	A	*	4/1993	Morszeck	206/316.2
D340,574	S	*	10/1993	Weinreb	D3/268
D368,581	S	*	4/1996	Cincotta	D3/218
5,573,114	A	*	11/1996	Cyr	206/316.1
5,735,397	A	*	4/1998	Cyr	206/316.1
5,769,221	A	*	6/1998	Cyr	206/316.1
D411,352	S	*	6/1999	Golenz et al.	D3/301
D458,447	S	*	6/2002	Tyler	D3/267
D465,329	S		11/2002	Hassett	D3/267
D466,293	S	*	12/2002	Murdoch et al.	D3/268
D467,073	S	*	12/2002	Hassett	D3/267
D468,530	S	*	1/2003	Murdoch et al.	D3/276
D472,378	S	*	4/2003	Hassett	D3/267
D472,379	S		4/2003	Hillman	D3/267
D472,380	S		4/2003	Hillman	D3/267

FIG. 1 is a front perspective view of a Camcorder Carrying Case showing my new design, the broken lines shown throughout the views represent portions of the design that form no part of the claim;  
FIG. 2 is a front perspective view of the invention illustrated in FIG. 1 in an open position;  
FIG. 3 is a front elevation view of the invention illustrated in FIG. 1;  
FIG. 4 is a rear elevation view of the invention illustrated in FIG. 1;  
FIG. 5 is a right elevation view of the invention illustrated in FIG. 1;  
FIG. 6 is a left elevation view of the invention illustrated in FIG. 1;  
FIG. 7 is a top plan view of the invention illustrated in FIG. 1; and,  
FIG. 8 is a bottom plan view of the invention illustrated in FIG. 1.

**1 Claim, 5 Drawing Sheets**



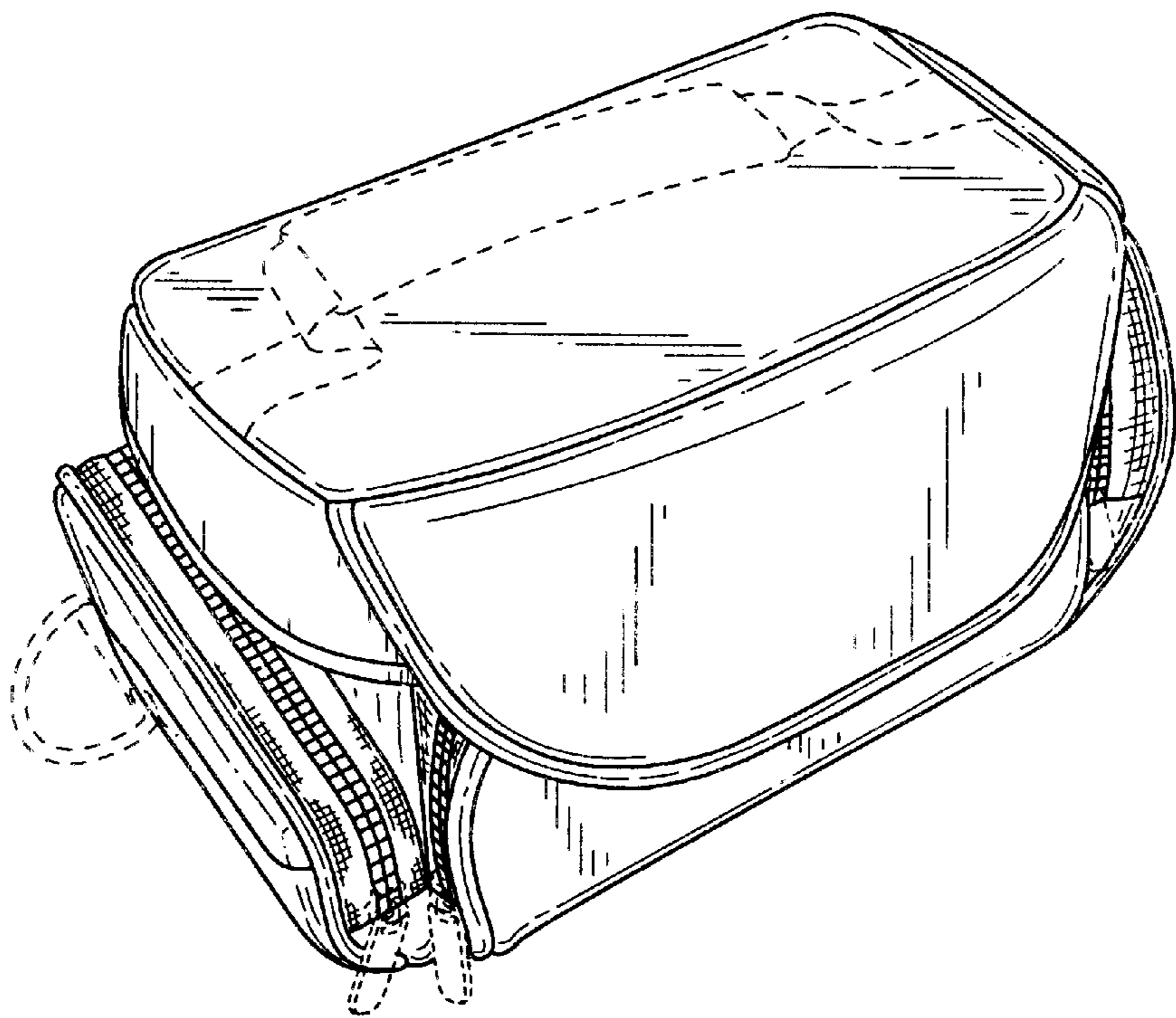


FIG. 1

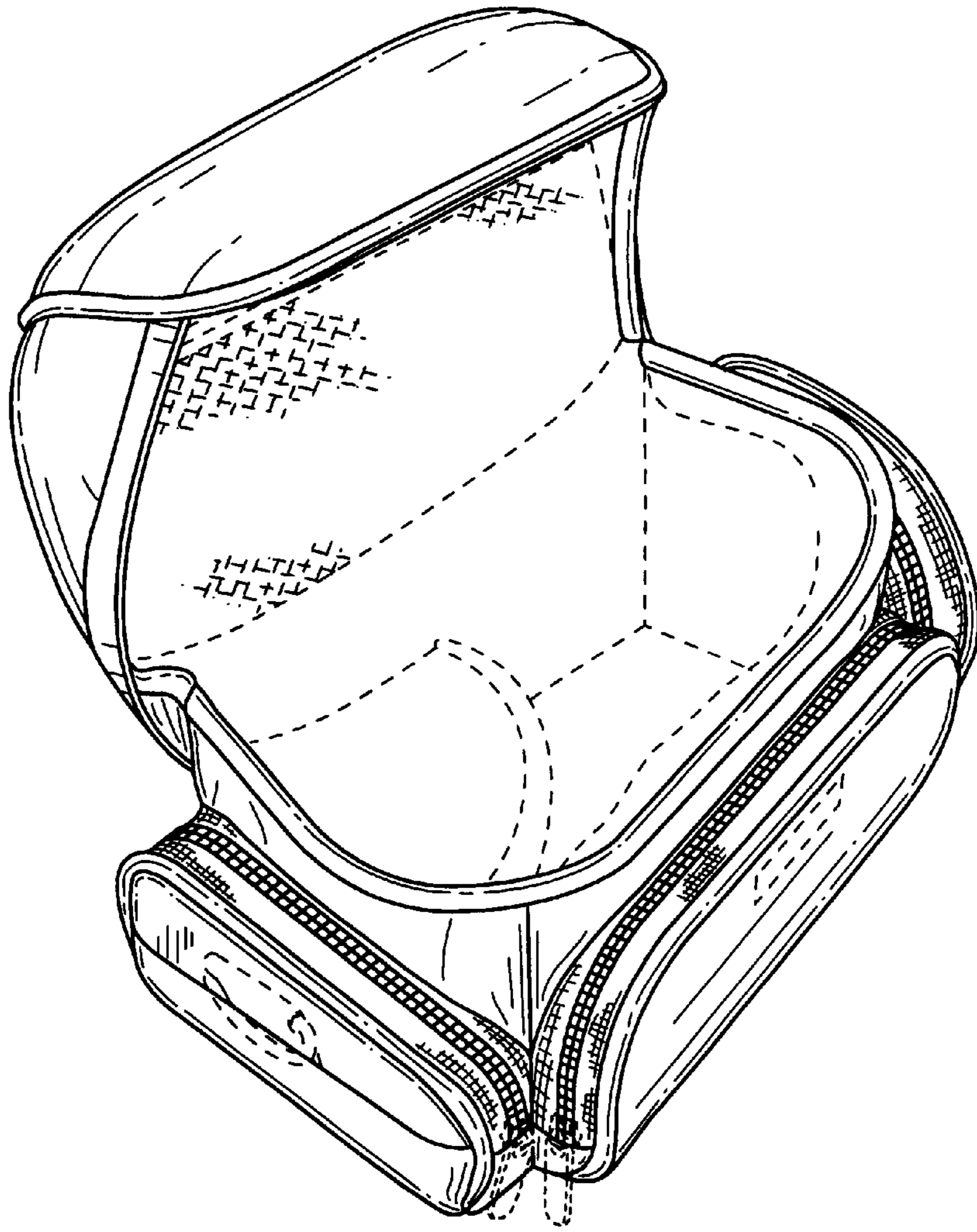


FIG.2

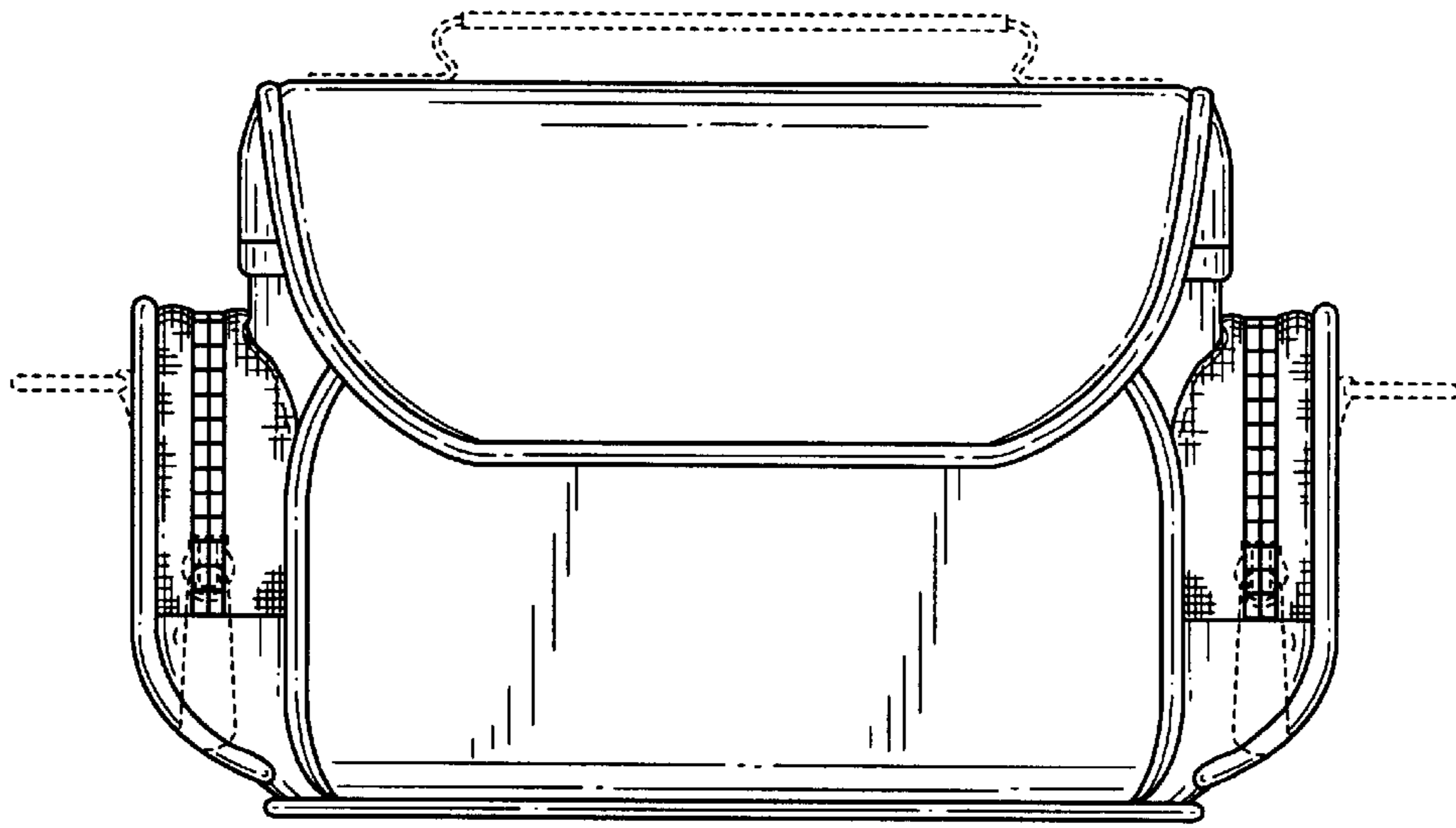


FIG.3

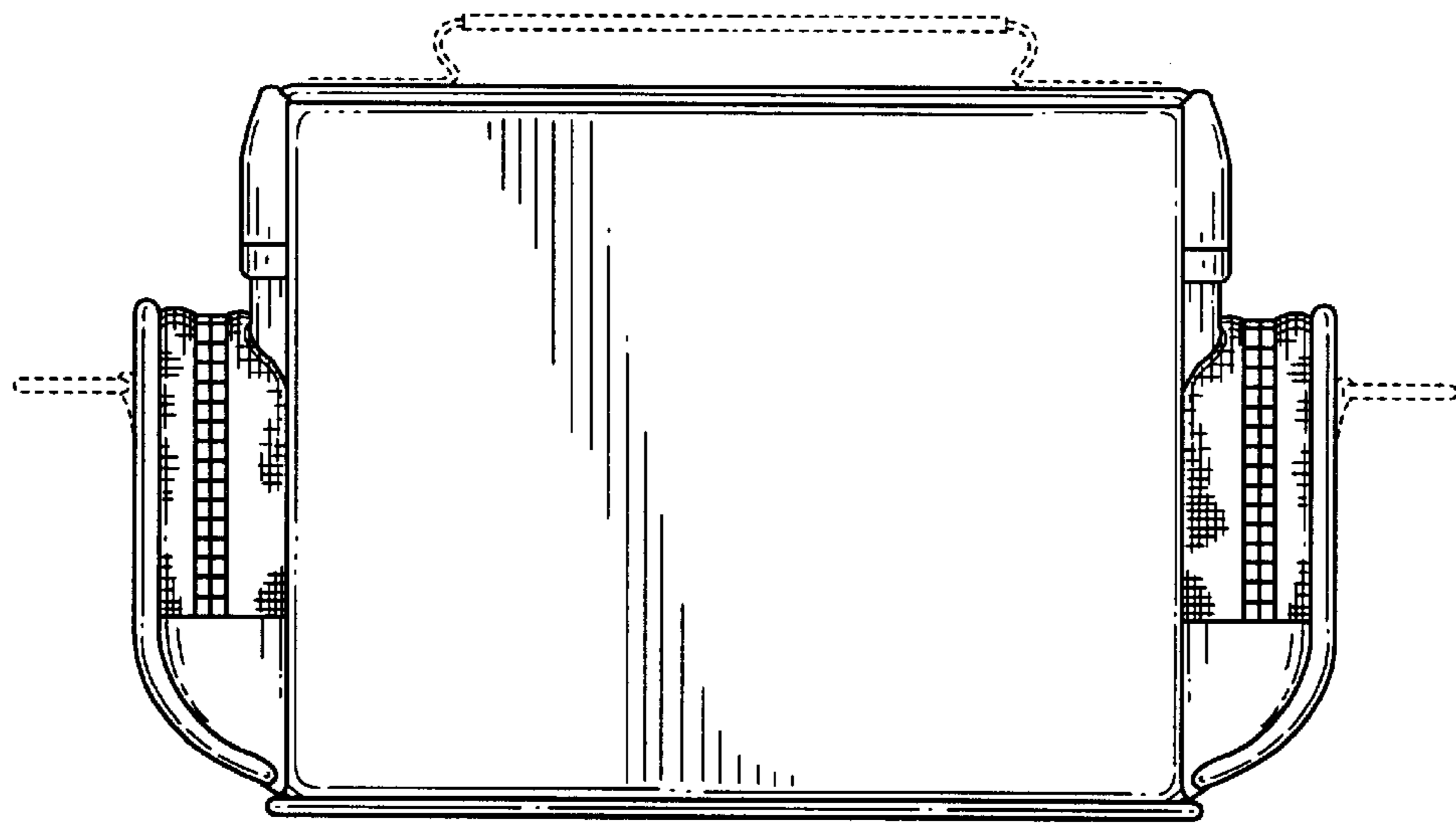


FIG.4



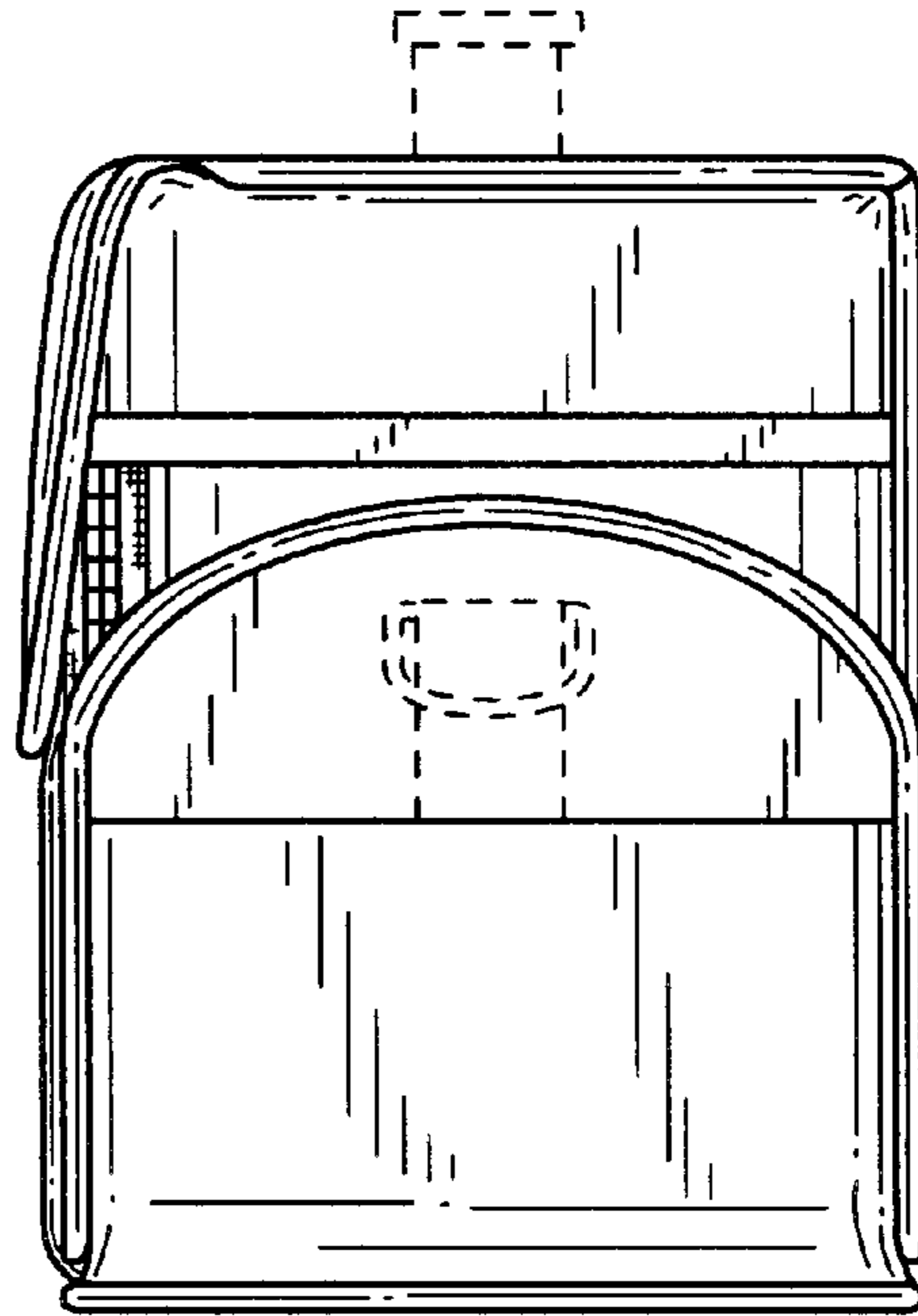


FIG. 5

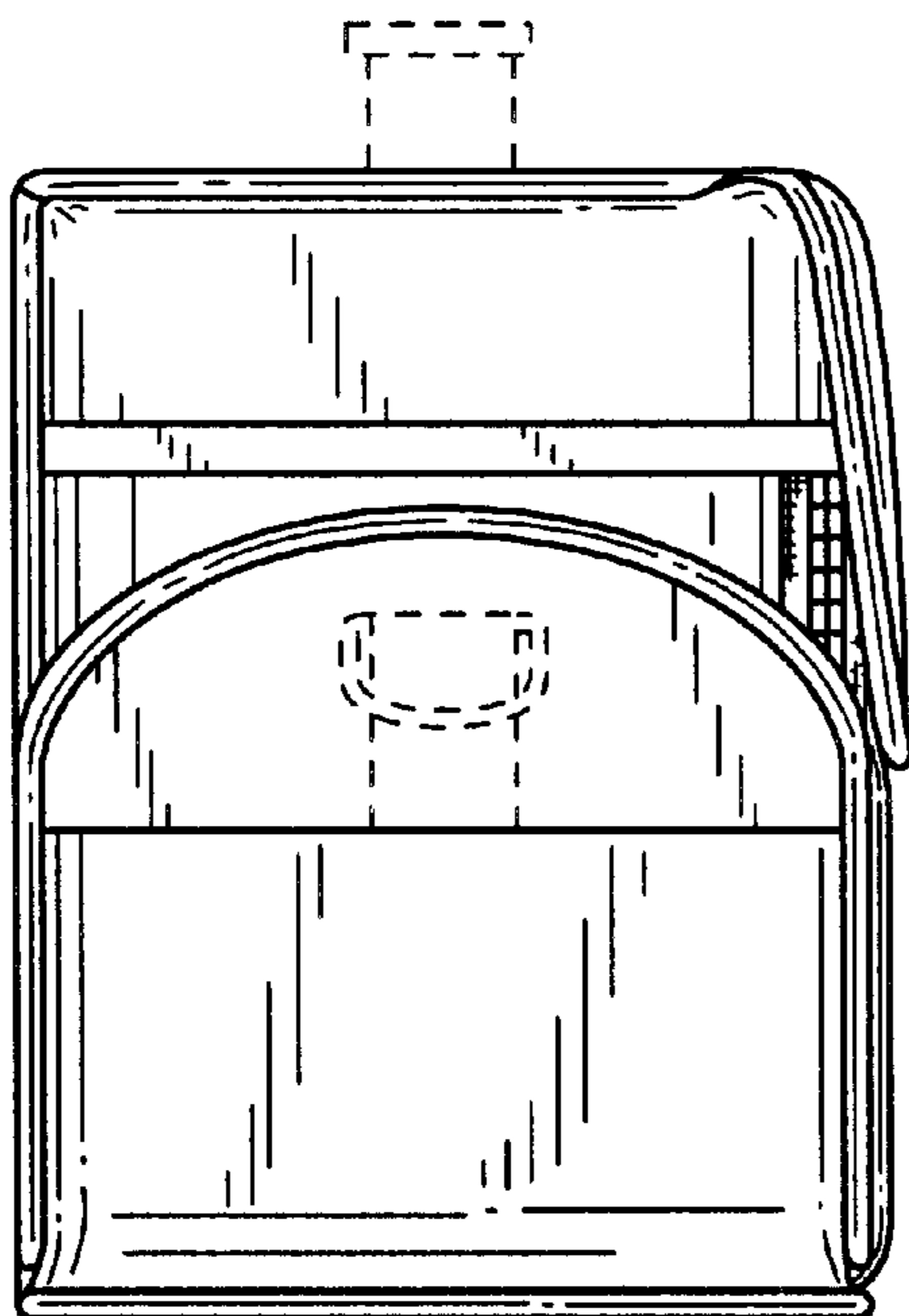


FIG. 6

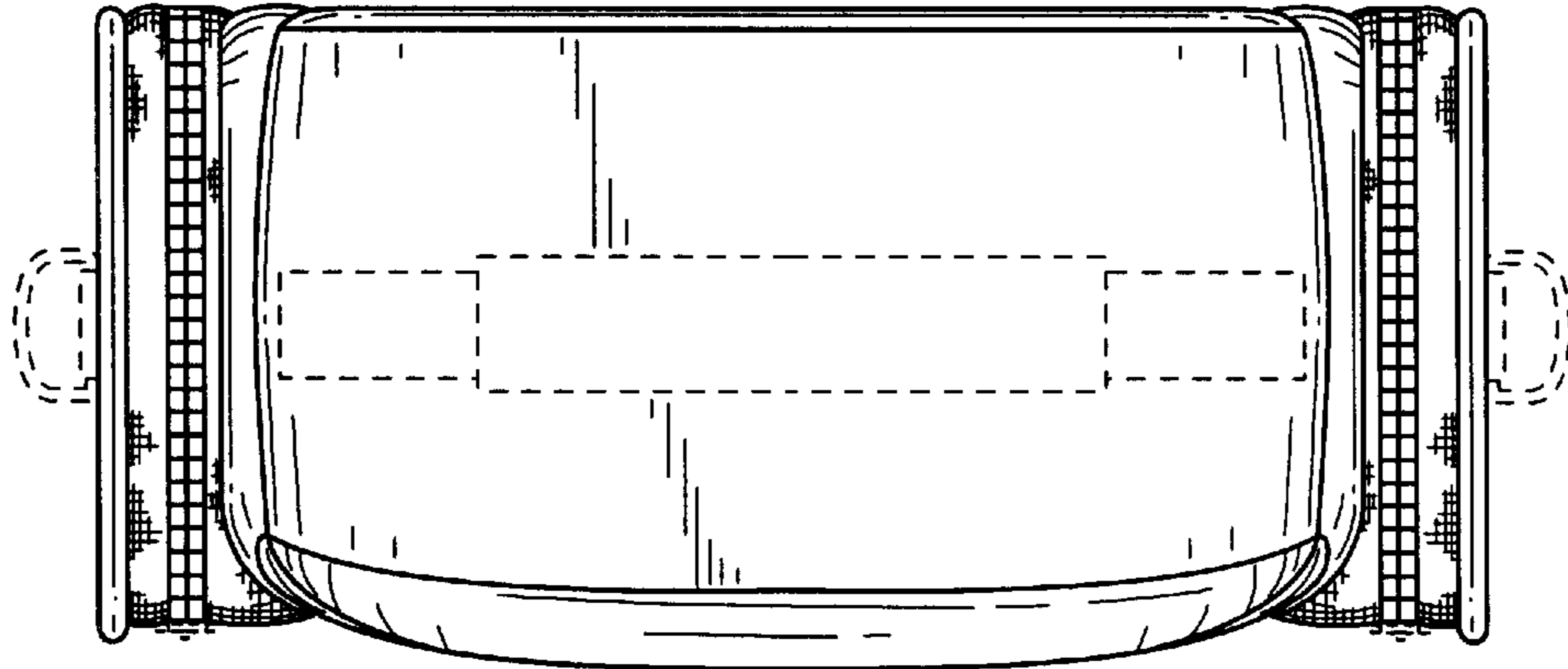


FIG. 7

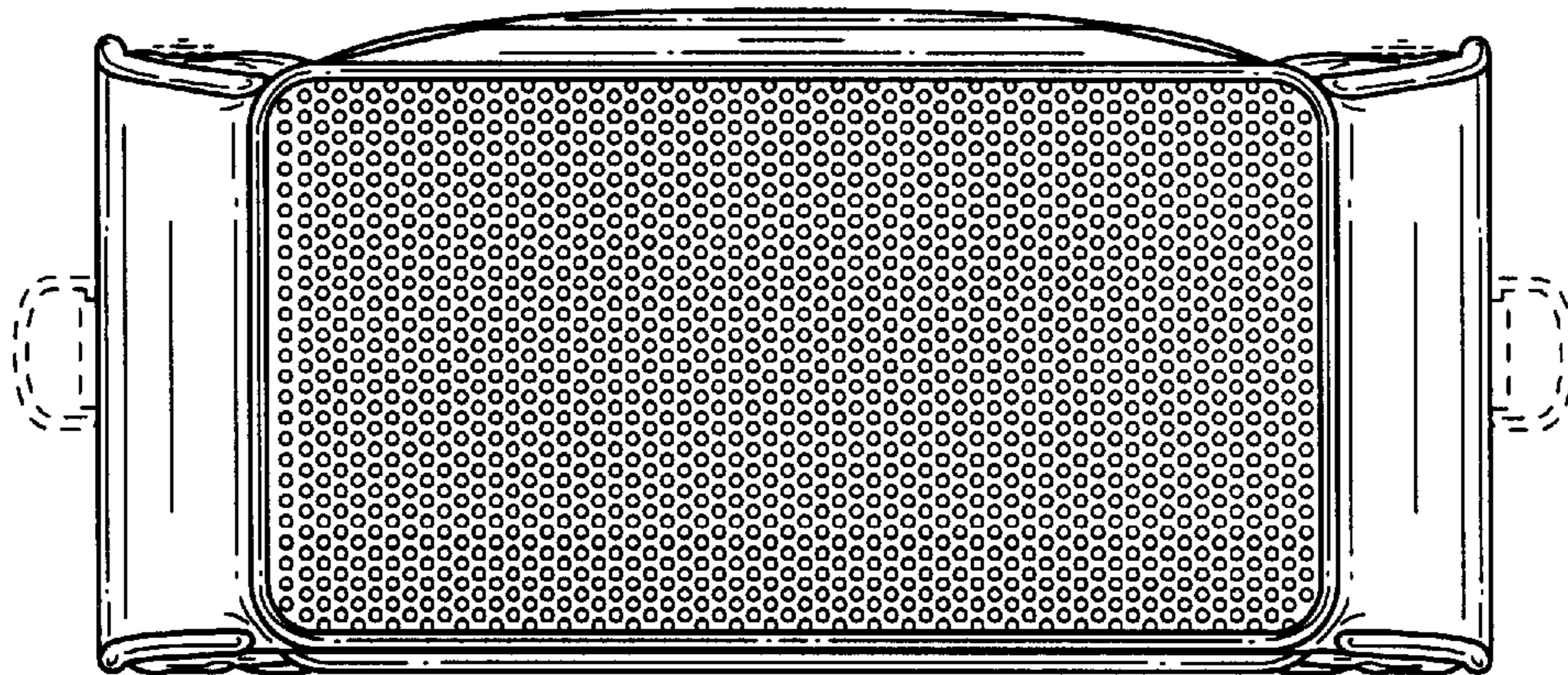


FIG. 8