



US00D490240S

(12) **United States Design Patent**  
**Rogers**

(10) **Patent No.:** **US D490,240 S**

(45) **Date of Patent:** **\*\* May 25, 2004**

(54) **HANDBAG**

(76) **Inventor:** **Wayne Rogers**, 24 W. 39<sup>th</sup> St., Suite 602, New York, NY (US) 10018

(\*\*) **Term:** **14 Years**

(21) **Appl. No.:** **29/181,925**

(22) **Filed:** **May 16, 2003**

(51) **LOC (7) Cl.** ..... **03-01**

(52) **U.S. Cl.** ..... **D3/233**

(58) **Field of Search** ..... D3/232, 233, 234, D3/243, 244, 245, 246, 303; 150/100, 101, 102, 106, 108, 111, 113, 114, 116, 117, 118, 119; 190/100, 101, 115, 116, 903; 383/6, 16, 30, 38, 40, 41, 97, 106, 907

(56) **References Cited**

**U.S. PATENT DOCUMENTS**

905,034	A	*	11/1908	Weidemann	.....	150/117
2,289,254	A	*	7/1942	Eagles	.....	383/97
2,334,410	A	*	11/1943	Hume	.....	383/106
2,788,823	A	*	4/1957	Walser	.....	150/117
2,801,666	A	*	8/1957	Steele	.....	150/117
D372,119	S	*	7/1996	Fendi	.....	D3/246 X

\* cited by examiner

*Primary Examiner*—Louis S. Zarfaz

*Assistant Examiner*—Monica A. Weingart

(74) *Attorney, Agent, or Firm*—Jennifer Meredith, Esq.; Meredith & Keyhani, PLLC

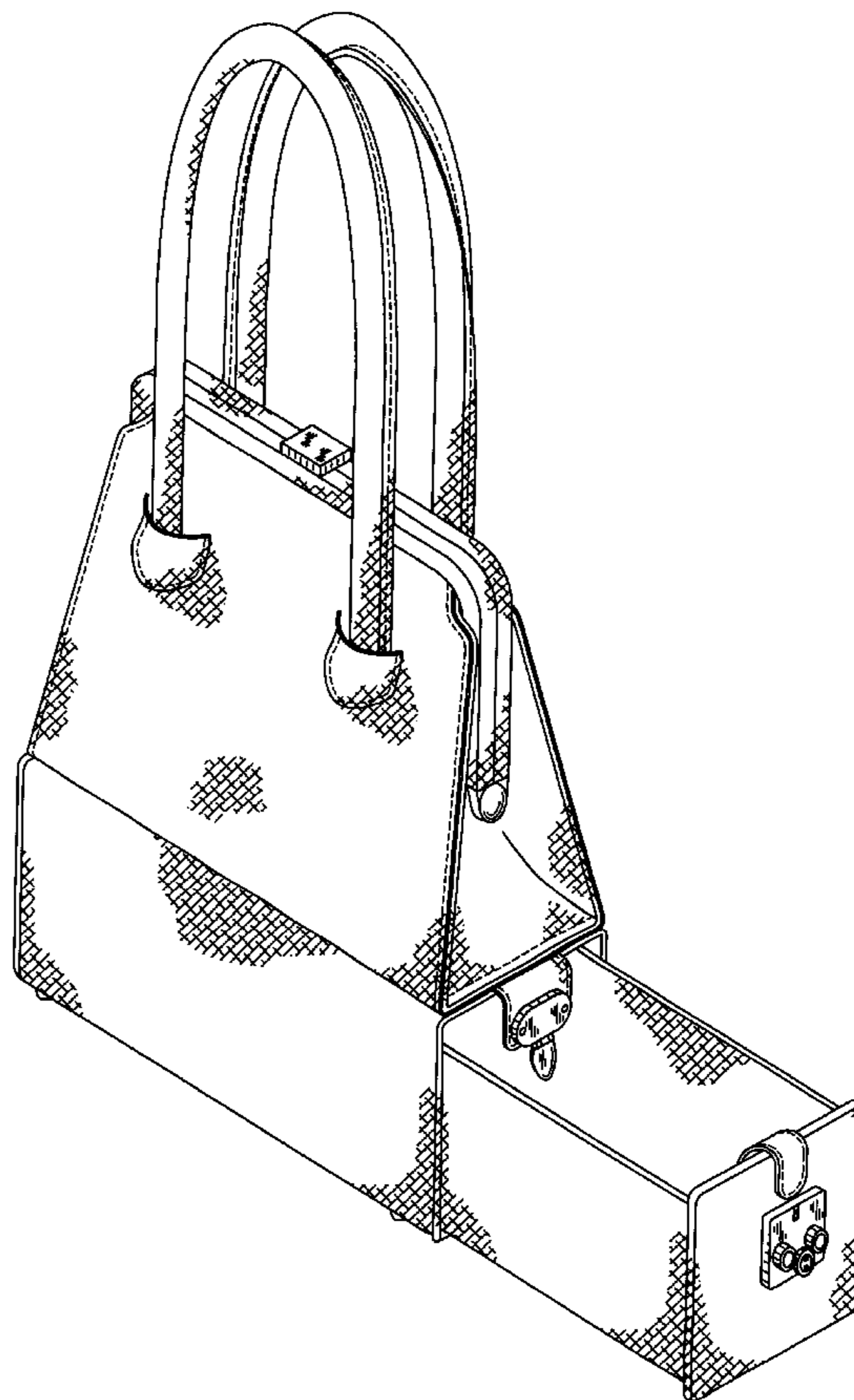
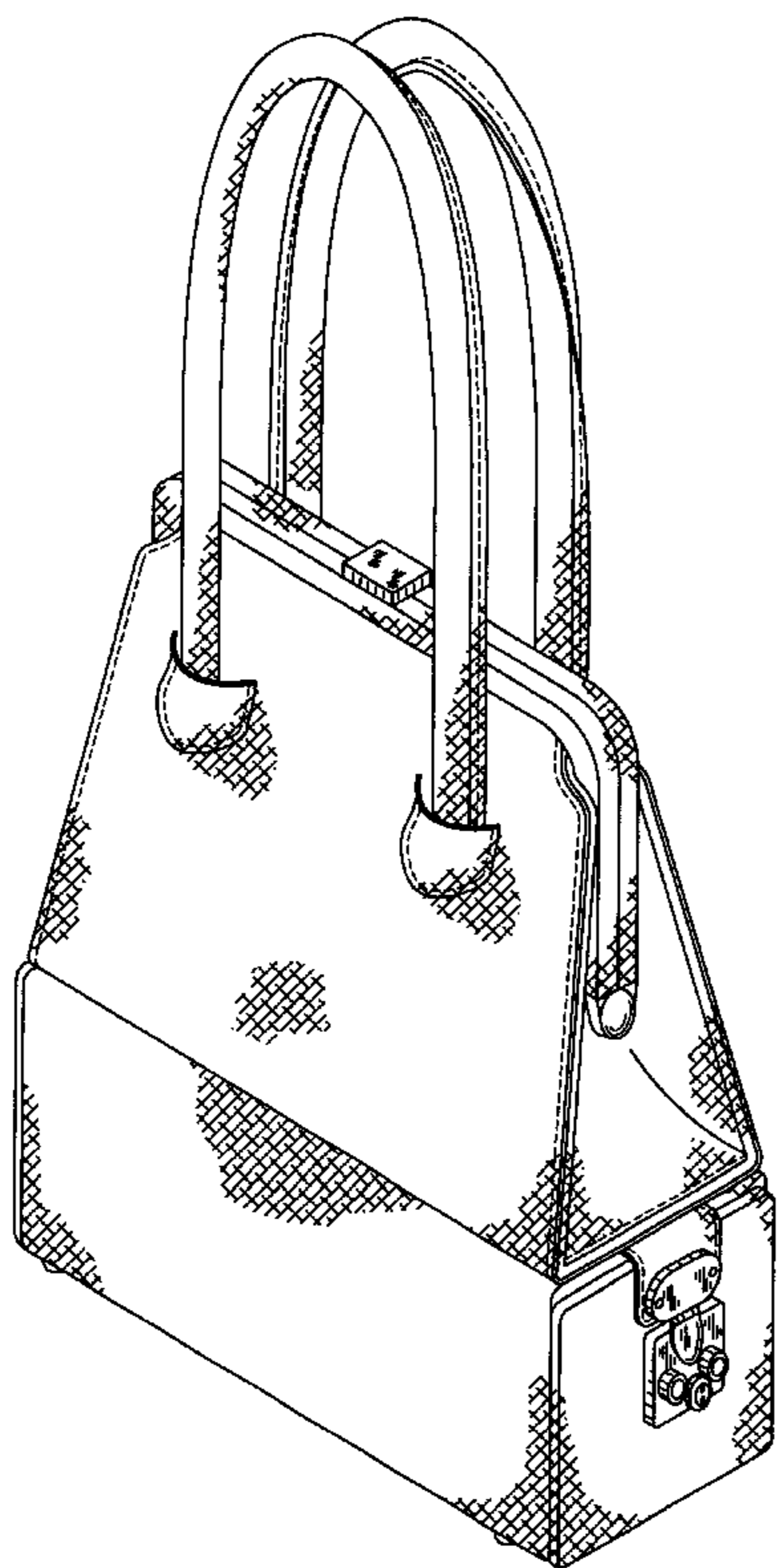
(57) **CLAIM**

I claim the ornamental design for the handbag, as shown and described.

**DESCRIPTION**

FIG. 1 is a left elevational view of a handbag showing my new design;  
 FIG. 2 is a front elevational view thereof;  
 FIG. 3 is a rear elevational view thereof;  
 FIG. 4 is a top plan view thereof;  
 FIG. 5 is a bottom plan view thereof;  
 FIG. 6 is a left perspective view thereof;  
 FIG. 7 is a left elevational view with the drawer in the open position;  
 FIG. 8 is a front elevational view thereof;  
 FIG. 9 is a top plan view thereof;  
 FIG. 10 is a bottom plan view thereof; and,  
 FIG. 11 is a left perspective view thereof.

**1 Claim, 8 Drawing Sheets**



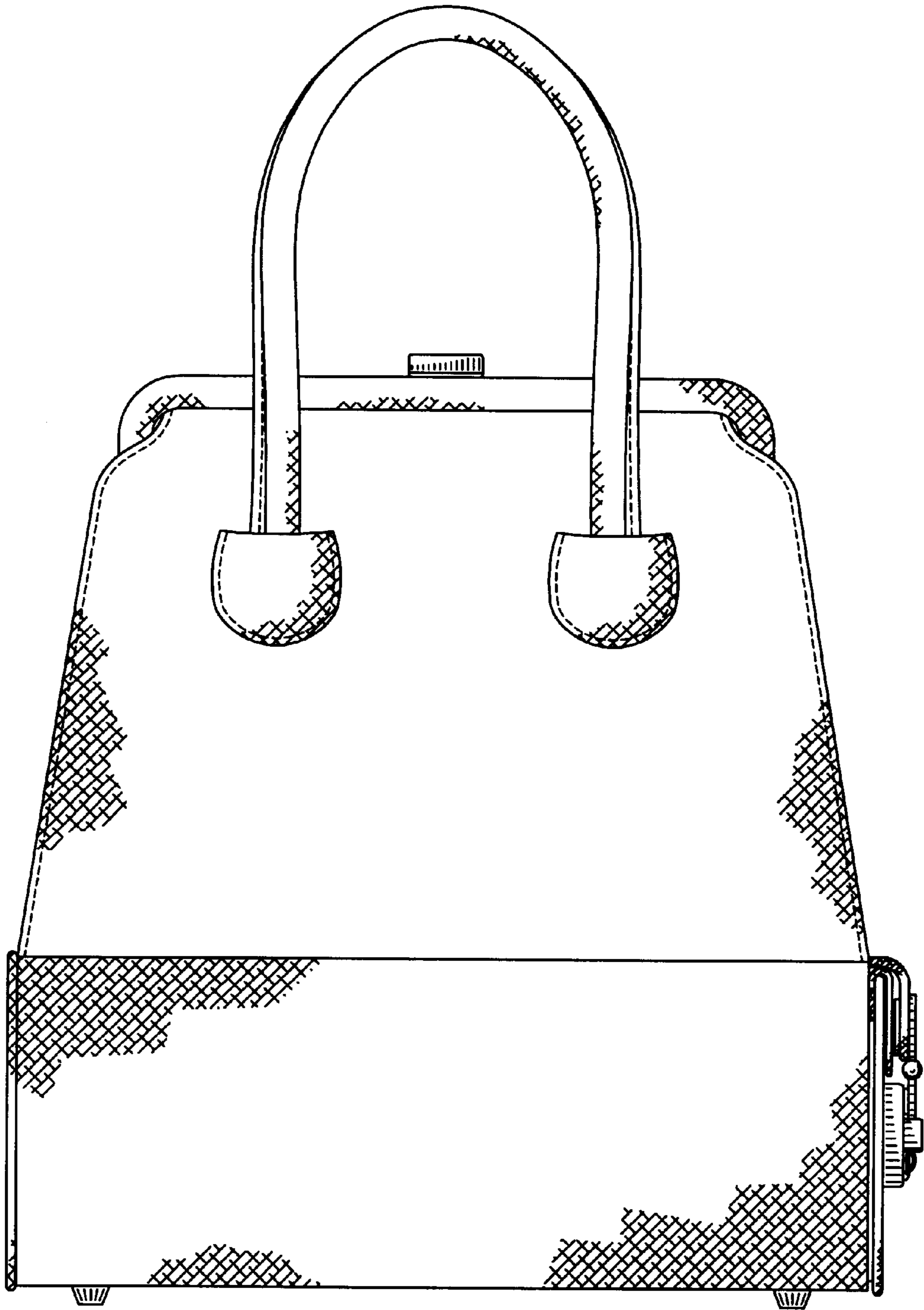


FIG. 1

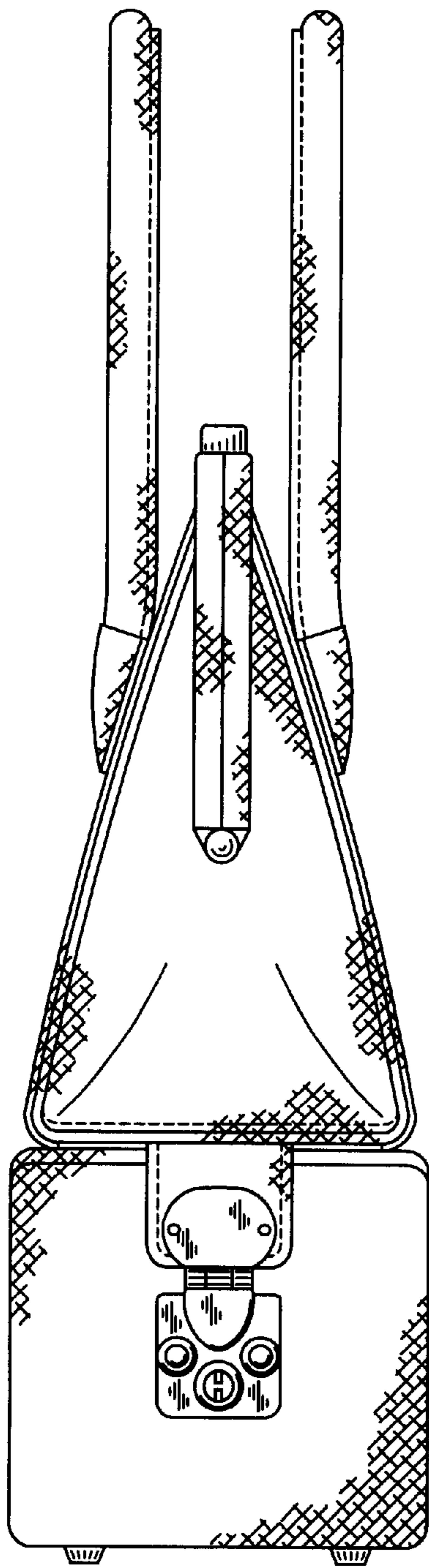


FIG. 2

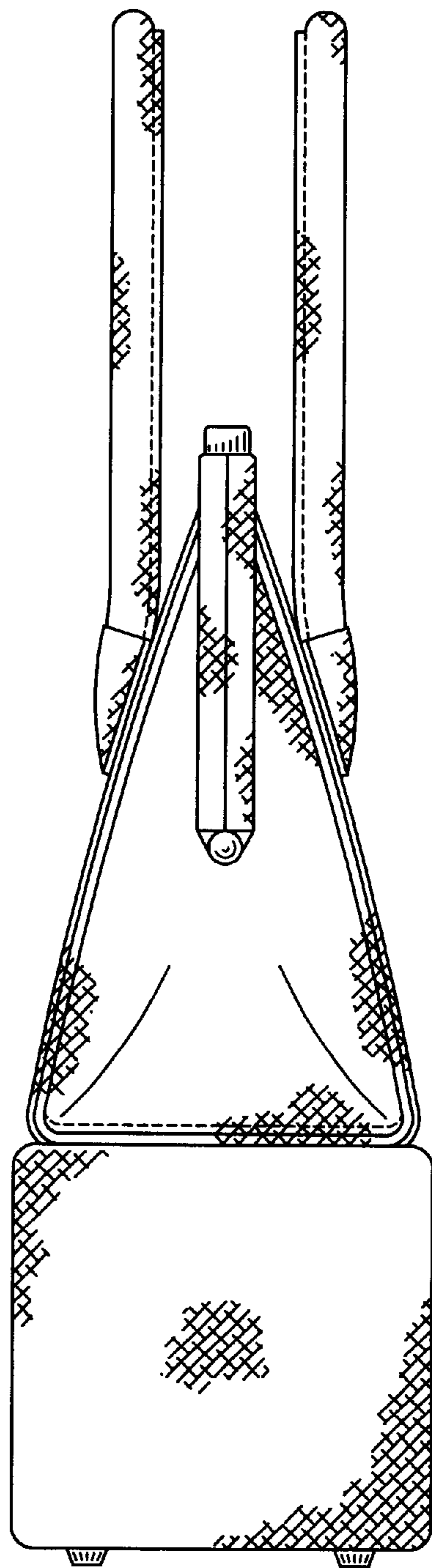


FIG. 3

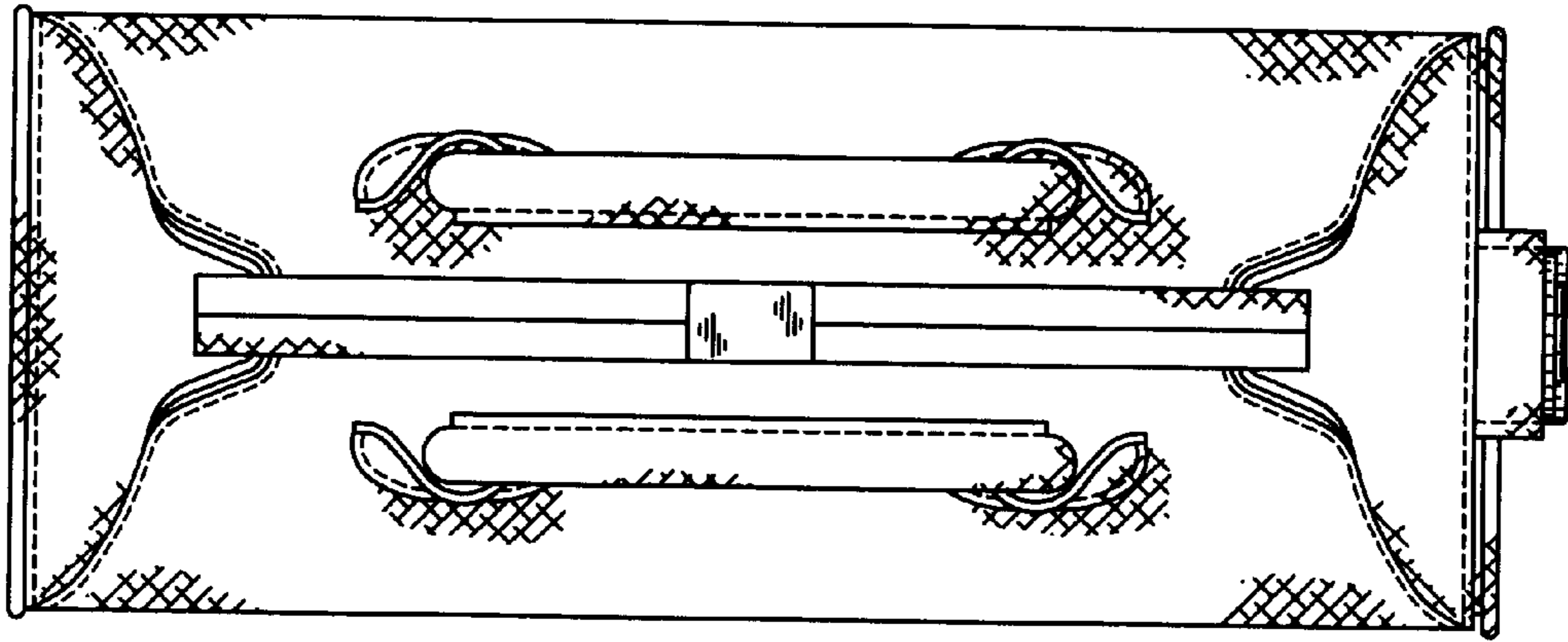


FIG. 4

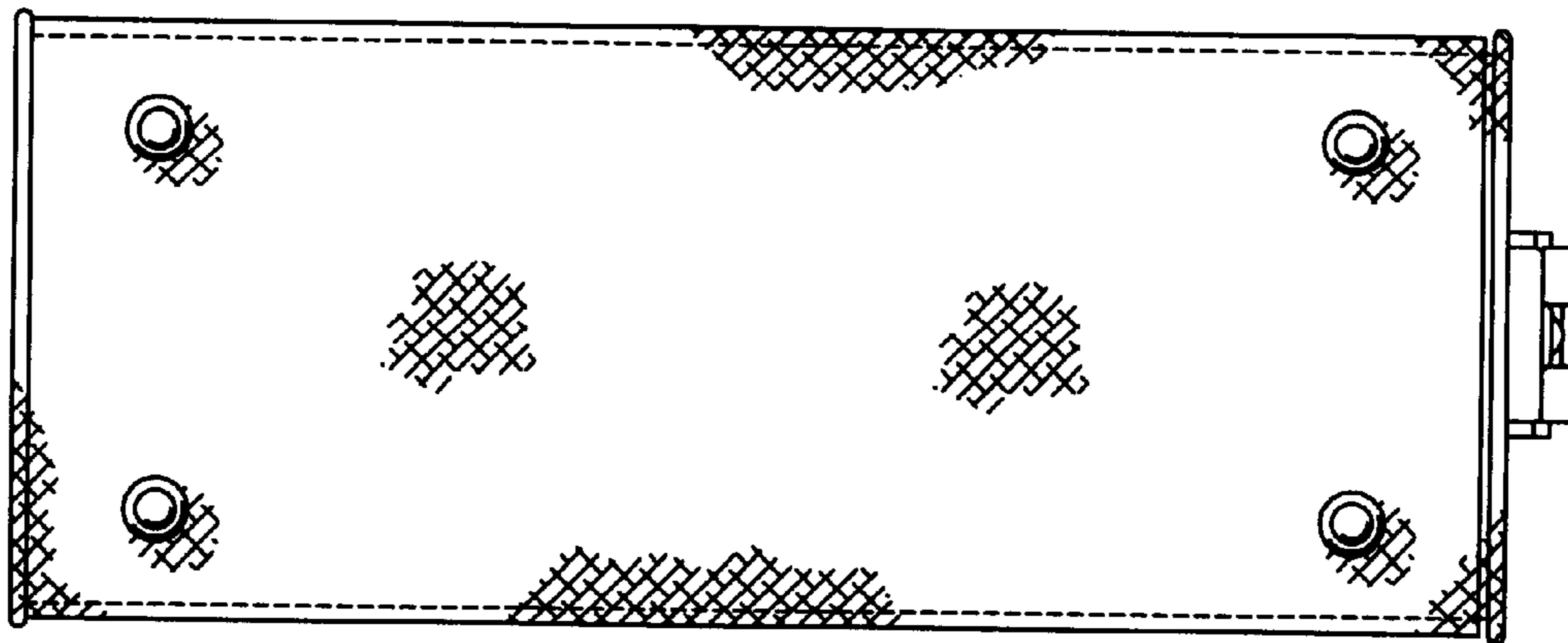


FIG. 5

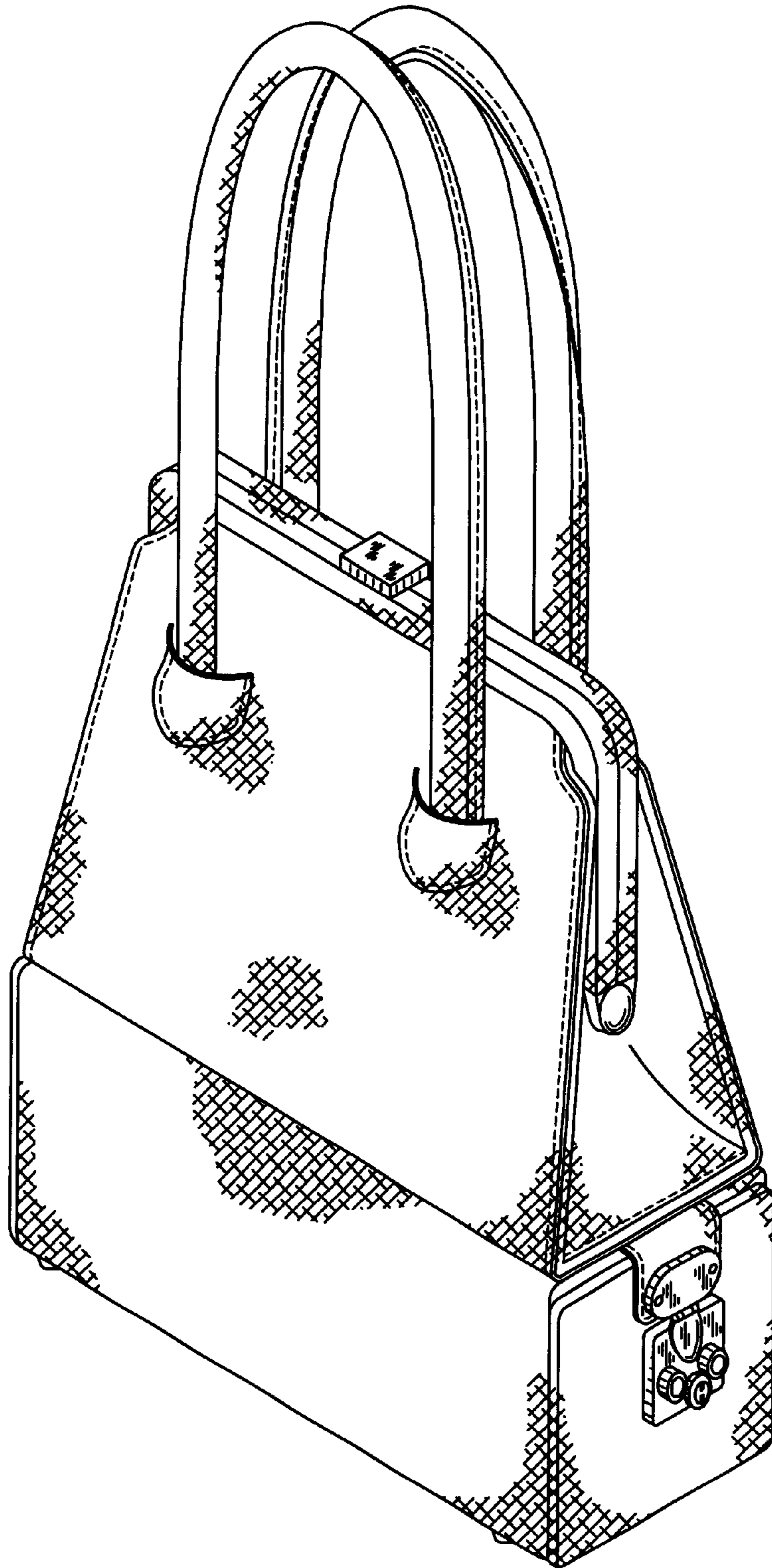


FIG. 6

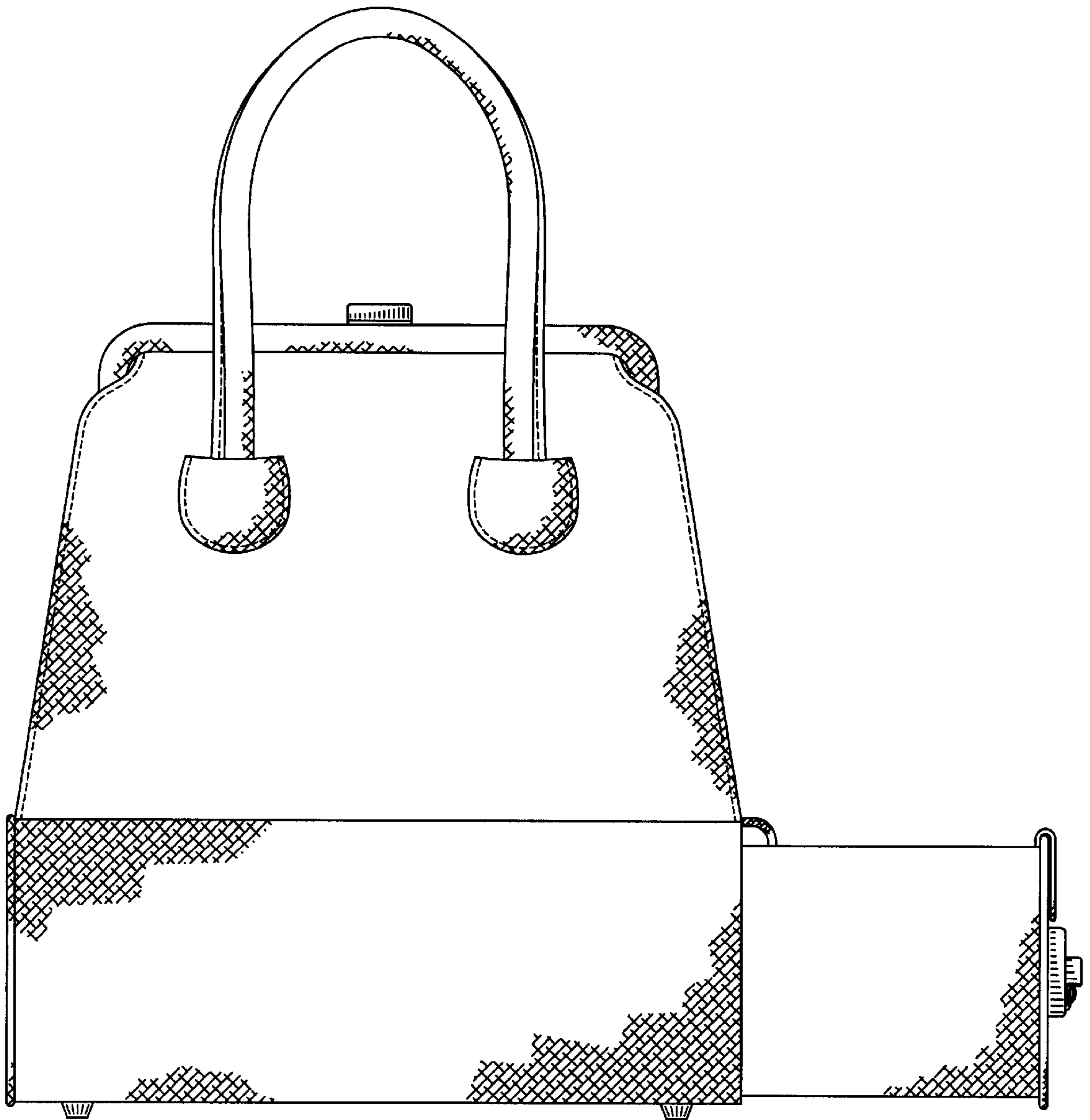


FIG. 7

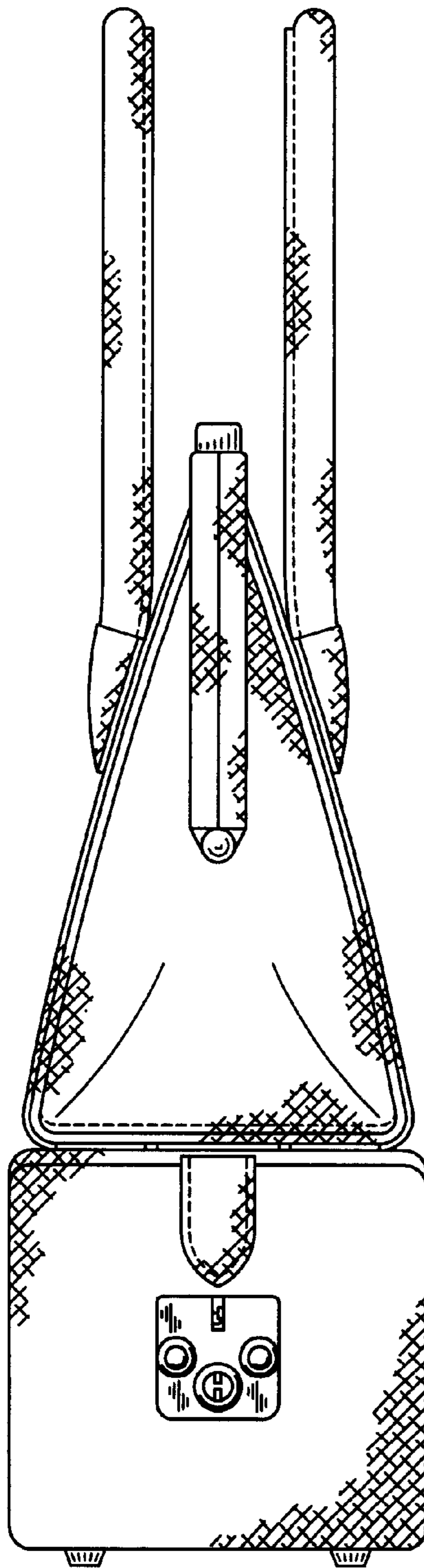


FIG. 8

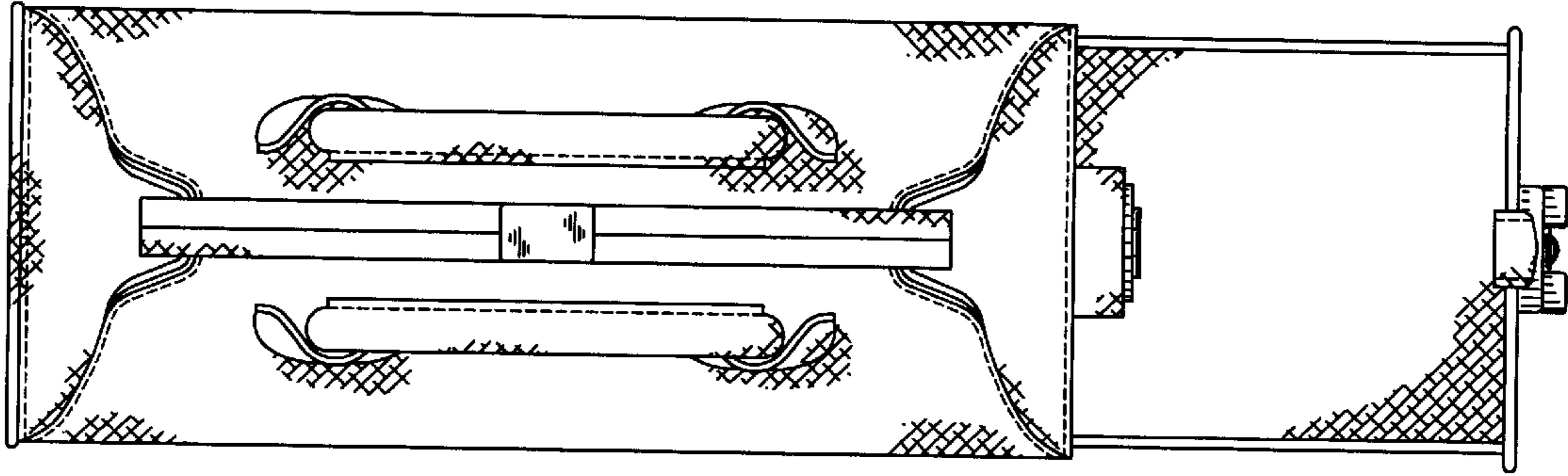


FIG. 9

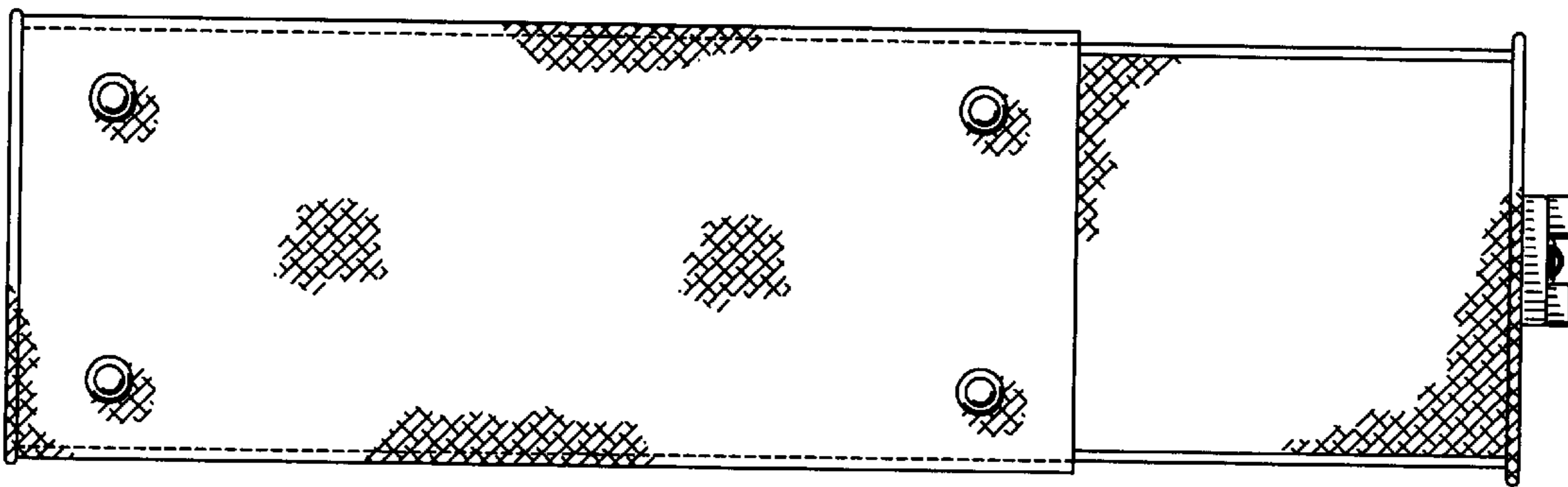


FIG. 10



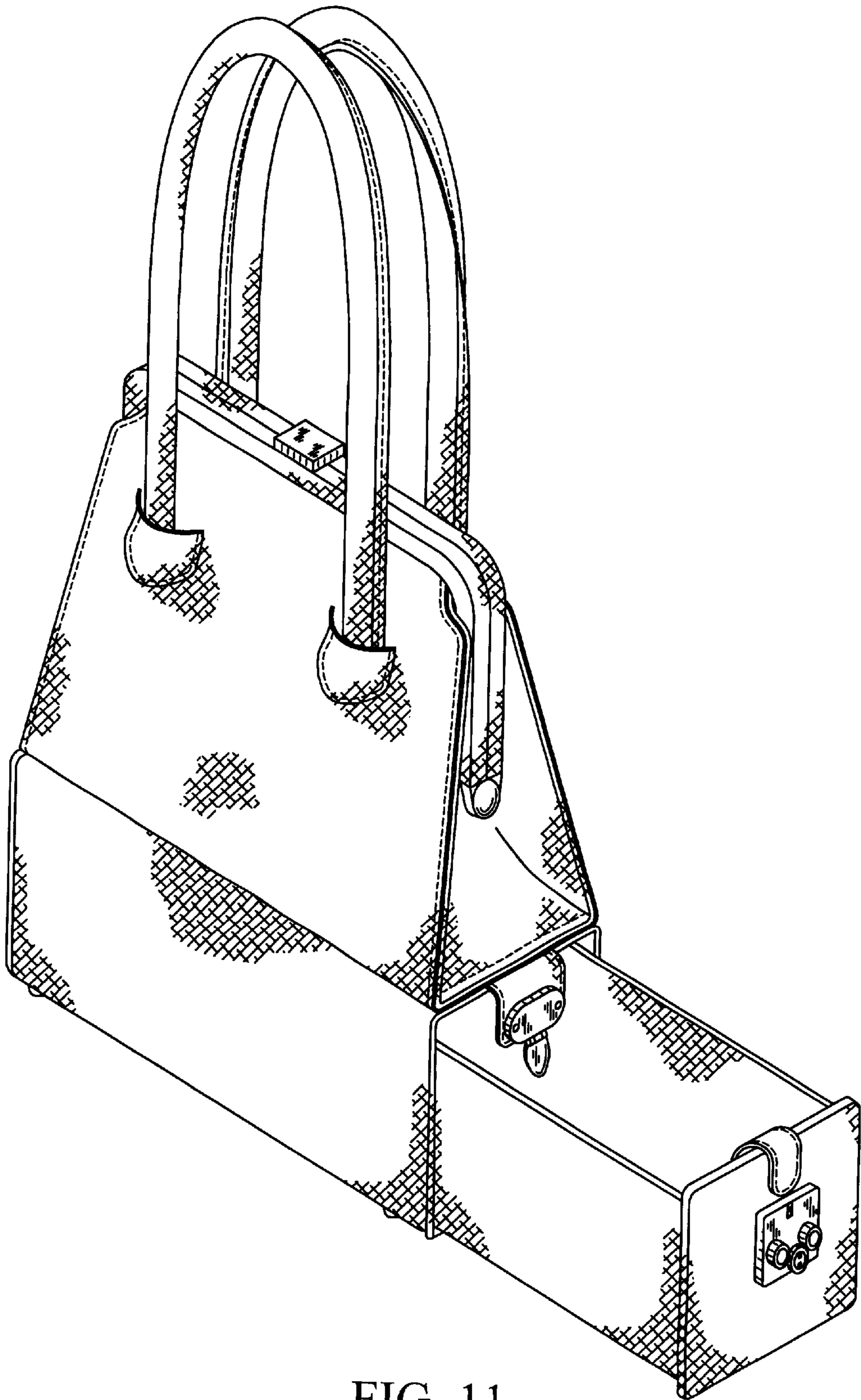


FIG. 11