



US00D490234S

(12) **United States Design Patent**  
**Masaki**

(10) **Patent No.:** **US D490,234 S**

(45) **Date of Patent:** **\*\* May 25, 2004**

(54) **ELECTRICAL CONNECTOR**

(75) Inventor: **Youichiro Masaki, Isesaki (JP)**

(73) Assignee: **Hosiden Corporation (JP)**

(\*\*) Term: **14 Years**

(21) Appl. No.: **29/176,648**

(22) Filed: **Feb. 27, 2003**

(30) **Foreign Application Priority Data**

Aug. 30, 2002 (JP) ..... 2002-023384

(51) **LOC (7) Cl.** ..... **13-03**

(52) **U.S. Cl.** ..... **D3/133; D13/147**

(58) **Field of Search** ..... D13/133, 146,  
D13/147; 439/607, 608, 609, 541.5, 610,  
668, 669

(56) **References Cited**

**U.S. PATENT DOCUMENTS**

D420,978 S	*	2/2000	Chang	.....	D13/146
D420,979 S	*	2/2000	Chang	.....	D13/146
D431,528 S	*	10/2000	Zhu et al.	.....	D13/133
D434,728 S	*	12/2000	Huang	.....	D13/147
6,168,462 B1	*	1/2001	Liao	.....	439/541.5
6,227,904 B1	*	5/2001	Wang et al.	.....	439/541.5

D453,145 S	*	1/2002	Sato et al.	.....	D13/147
D453,501 S	*	2/2002	Shao et al.	.....	D13/147
D453,502 S	*	2/2002	Xiang et al.	.....	D13/147
D453,738 S	*	2/2002	Shao et al.	.....	D13/147
D461,771 S	*	8/2002	Zhao et al.	.....	D13/133
D467,872 S	*	12/2002	Yeh	.....	D13/133

\* cited by examiner

*Primary Examiner*—Philip S. Hyder

(74) *Attorney, Agent, or Firm*—Connolly Bove Lodge & Hutz LLP

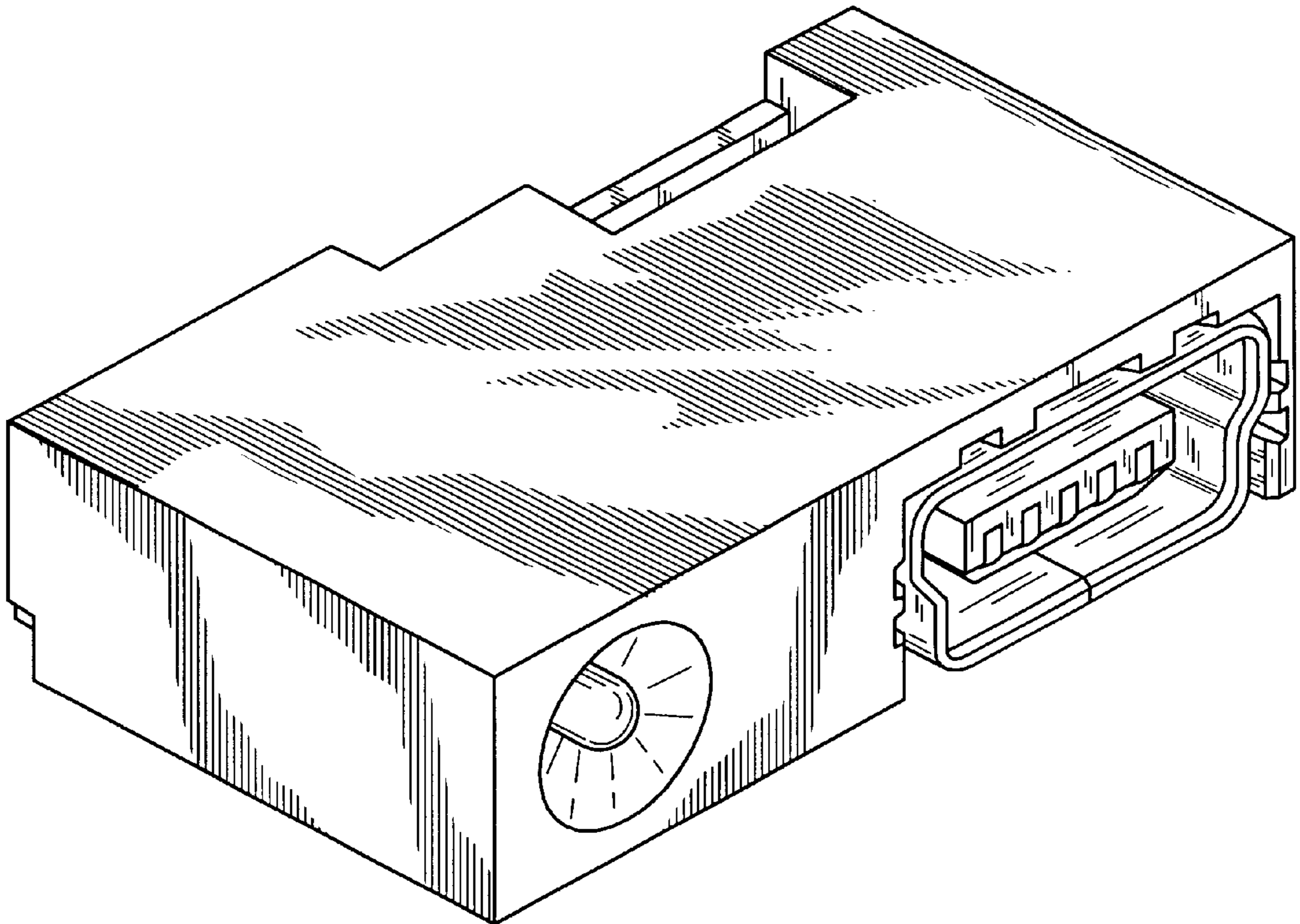
(57) **CLAIM**

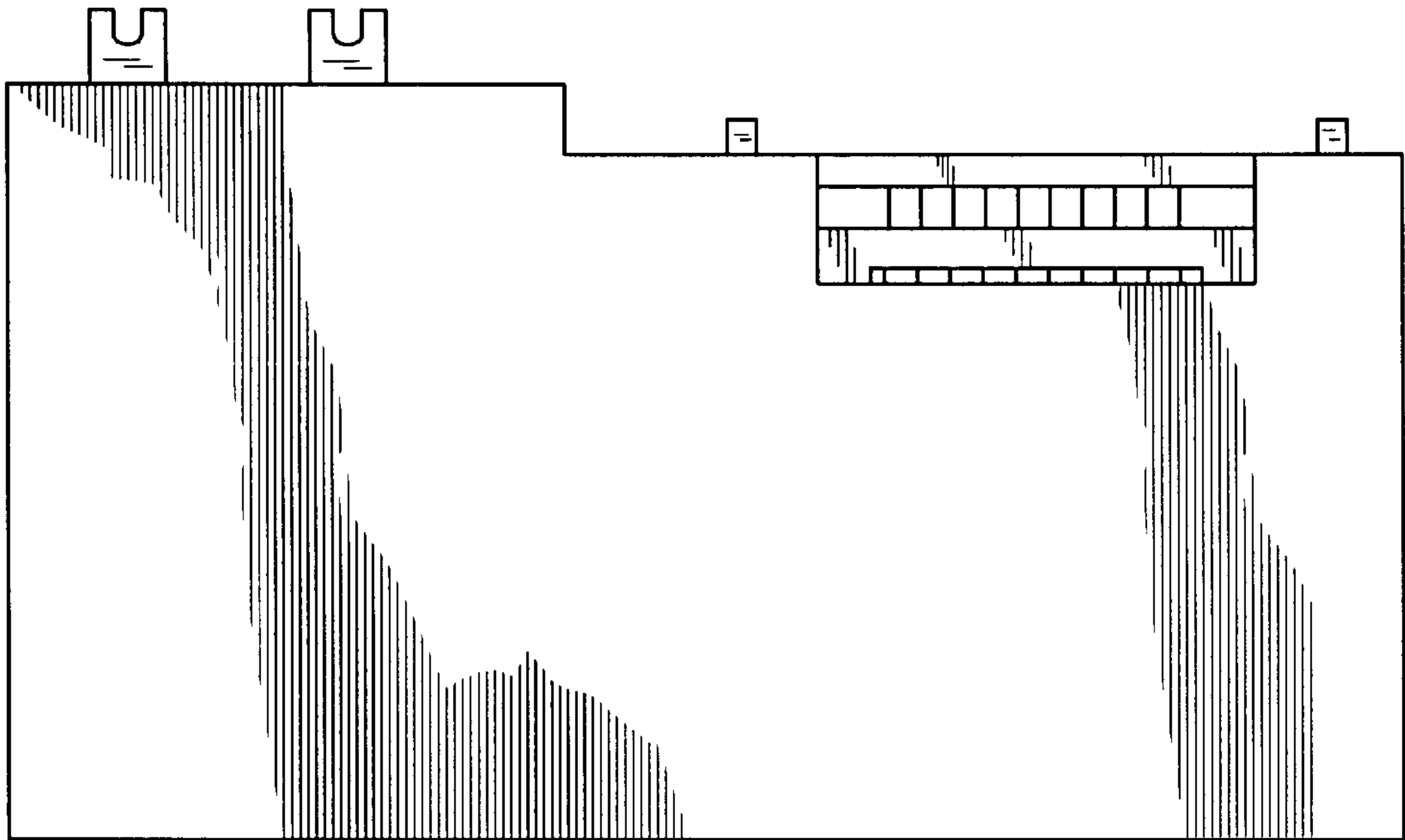
The ornamental design for electrical connector, as shown and described.

**DESCRIPTION**

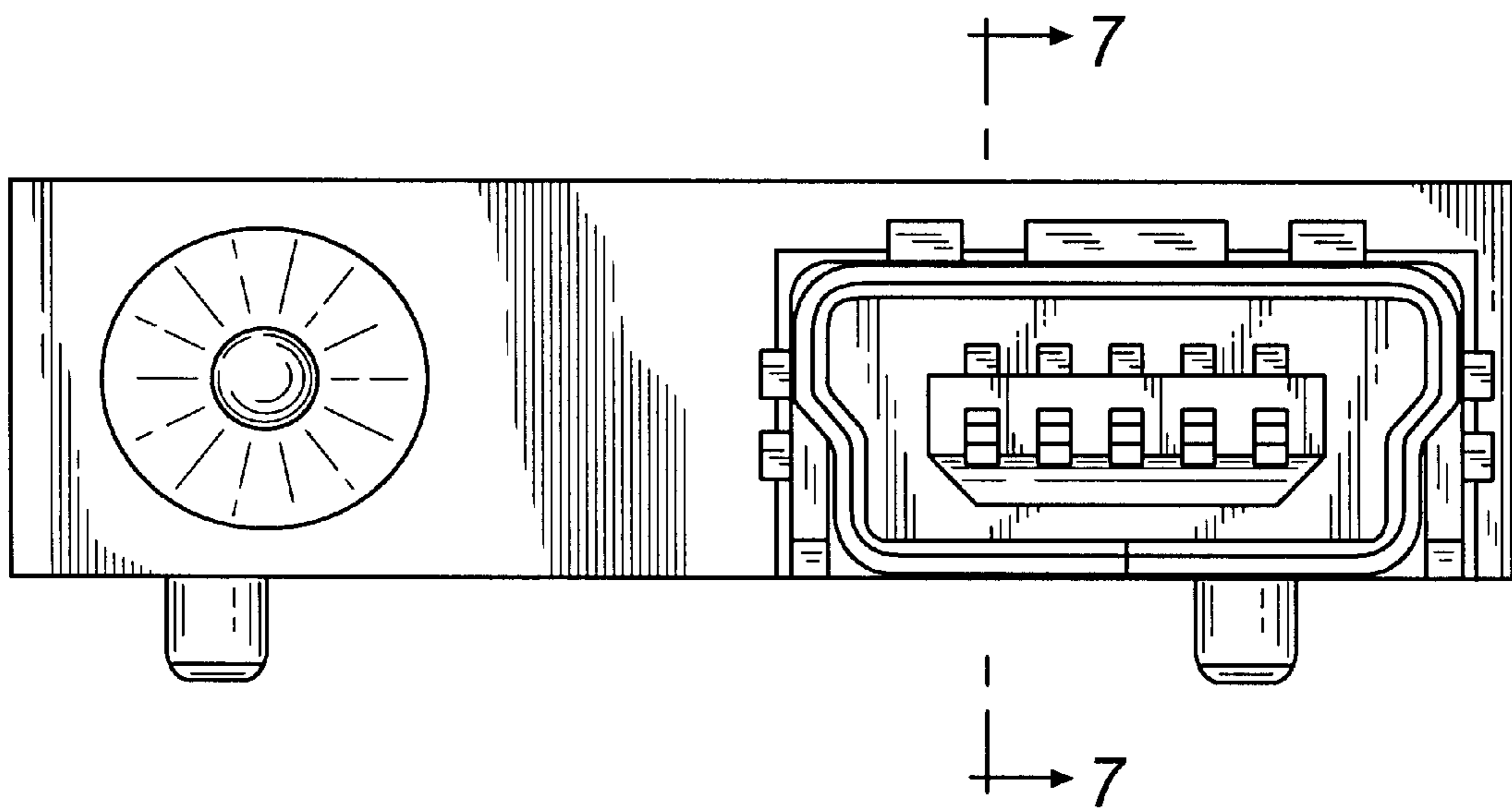
FIG. 1 is a top plan view;  
 FIG. 2 is a front view;  
 FIG. 3 is a back view;  
 FIG. 4 is a bottom view;  
 FIG. 5 is a right side view;  
 FIG. 6 is a left side view;  
 FIG. 7 is a sectional view taken along section line 7—7 of FIG. 2;  
 FIG. 8 is a first perspective view; and,  
 FIG. 9 is a second perspective view.

**1 Claim, 4 Drawing Sheets**

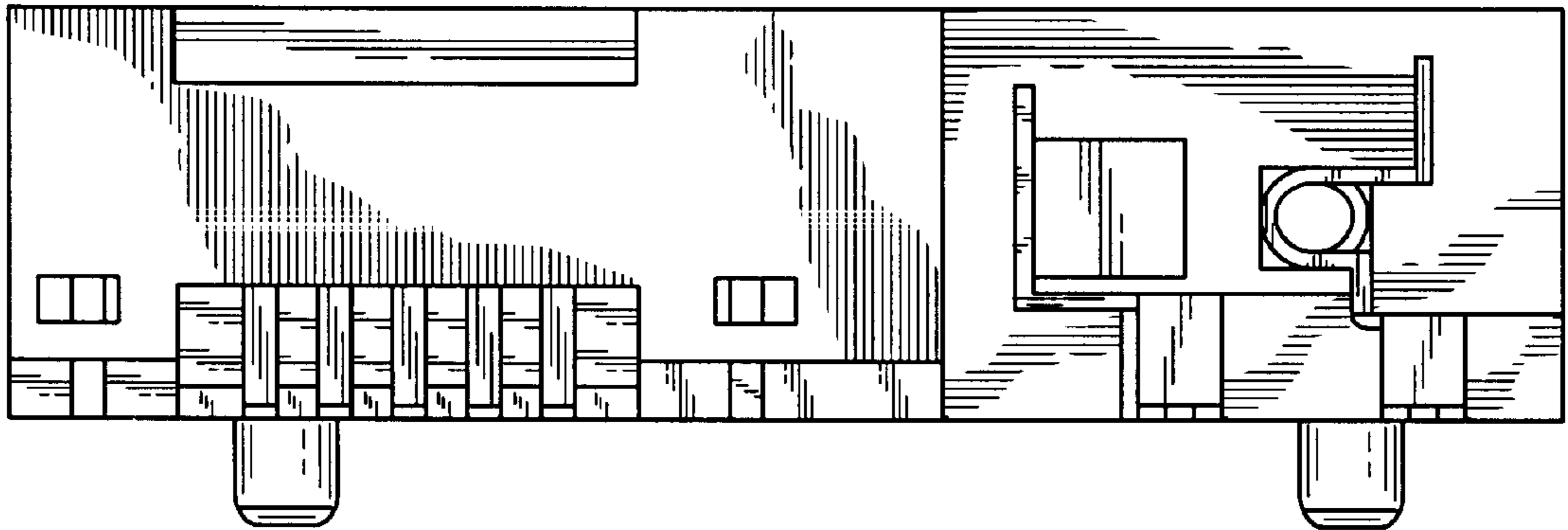




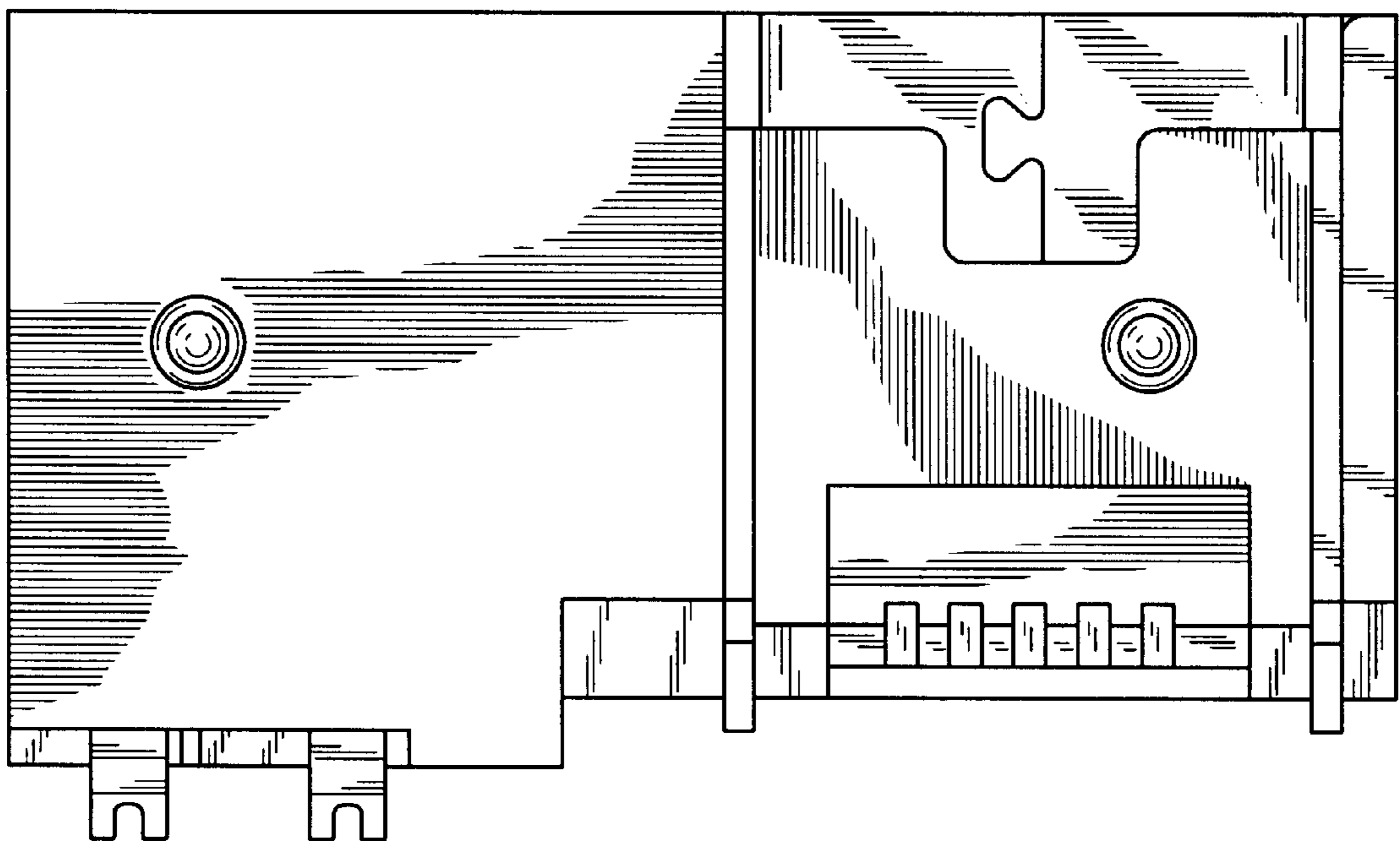
**FIG. 1**



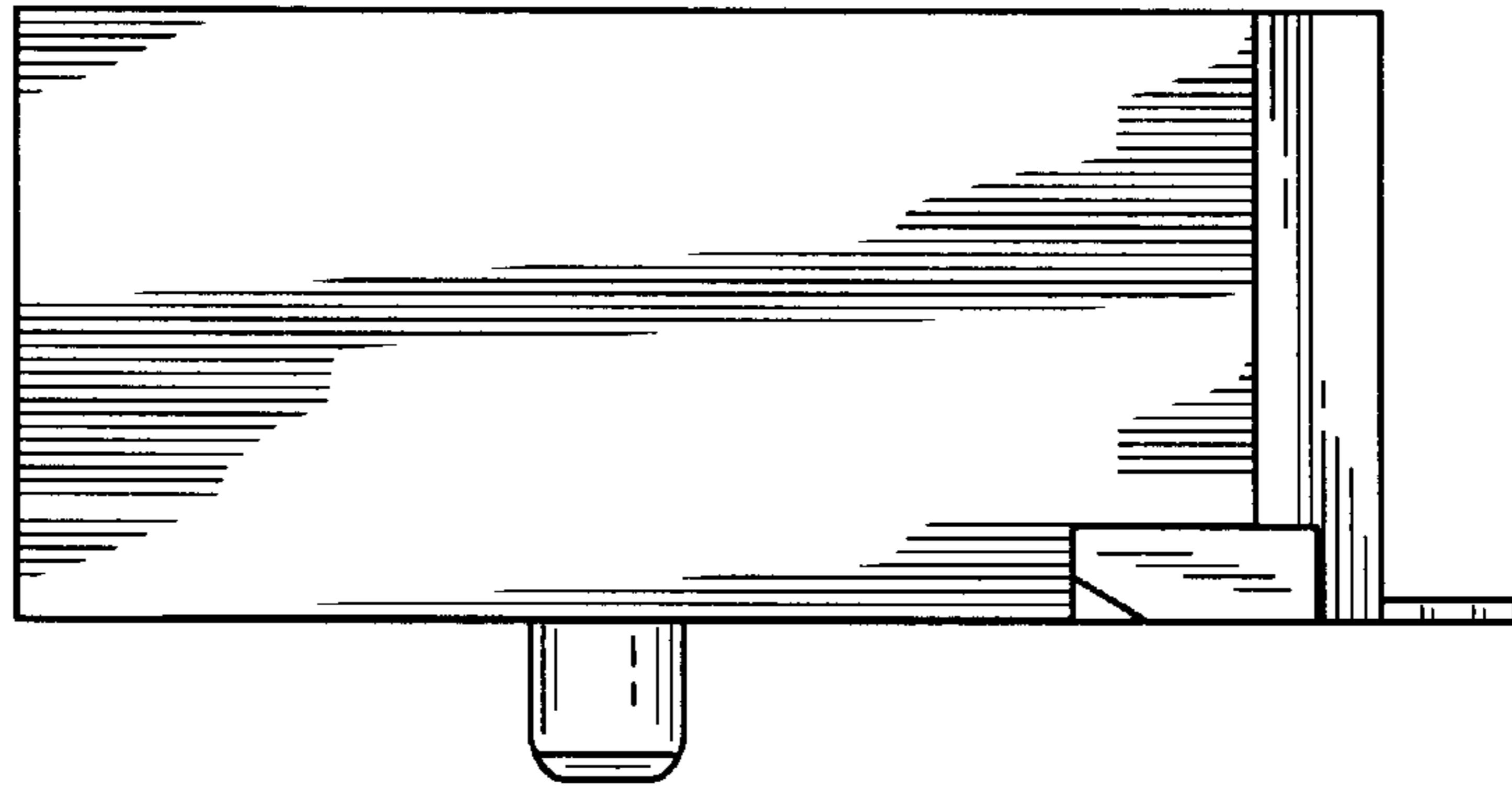
**FIG. 2**



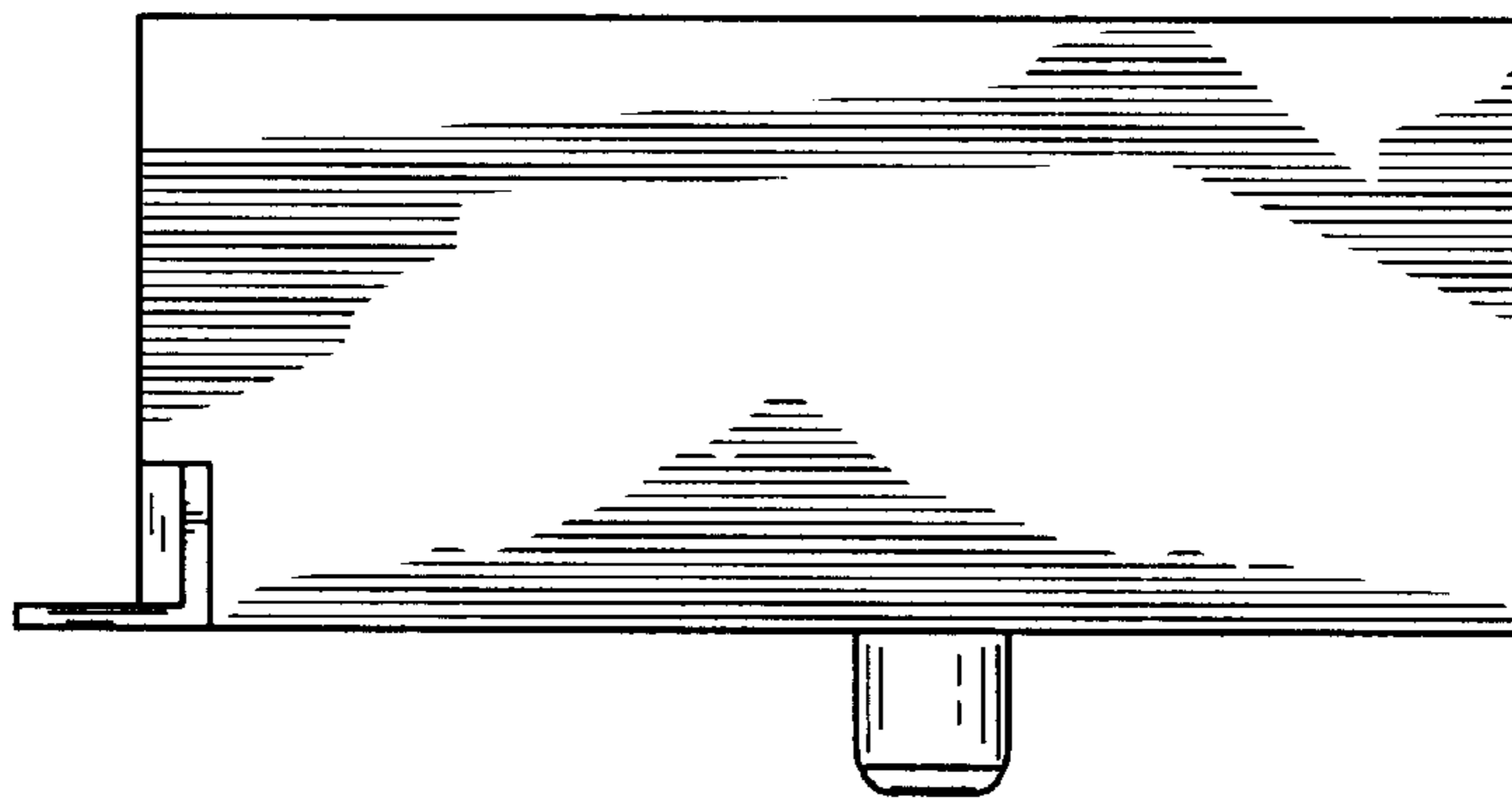
**FIG. 3**



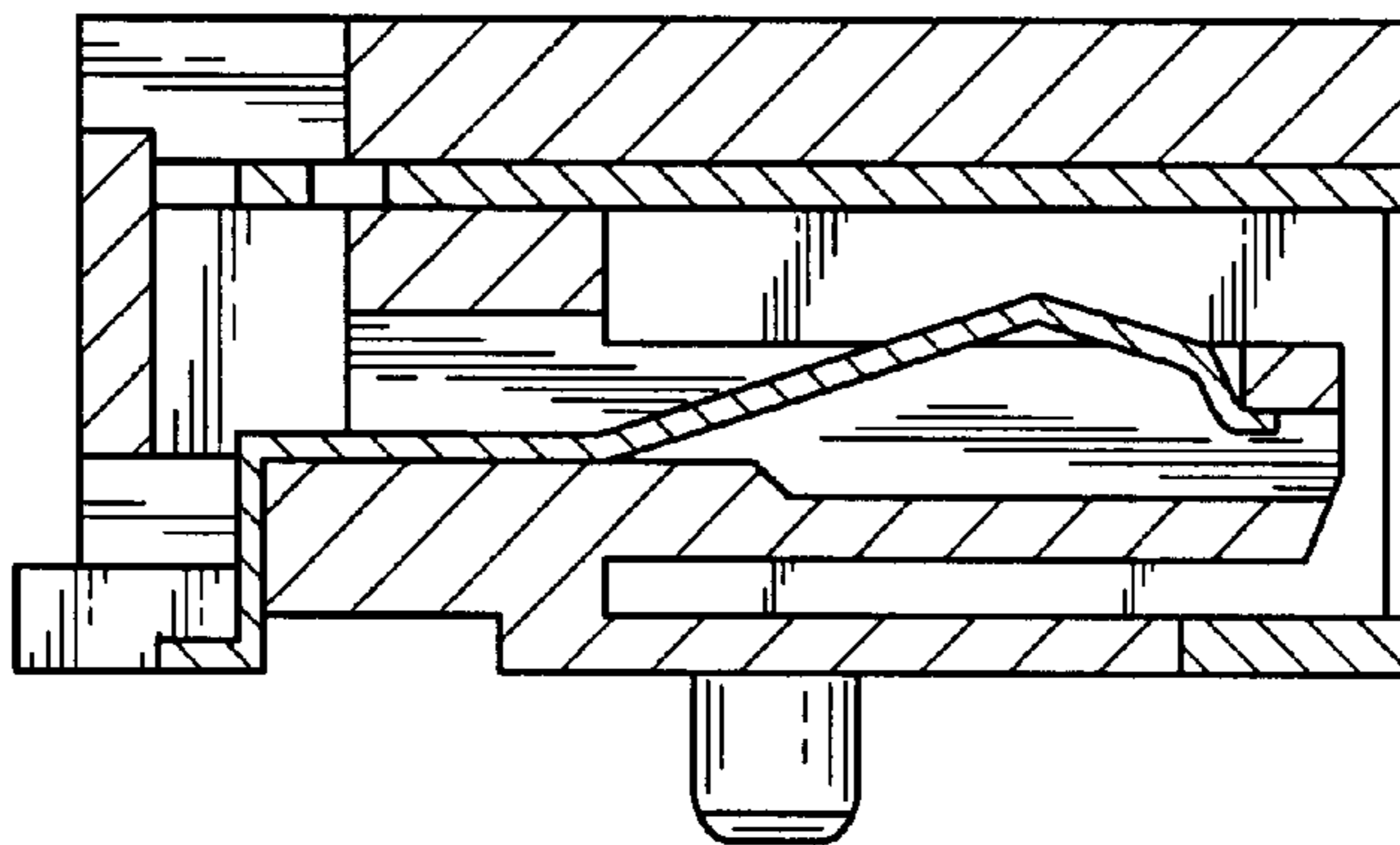
**FIG. 4**



**FIG. 5**

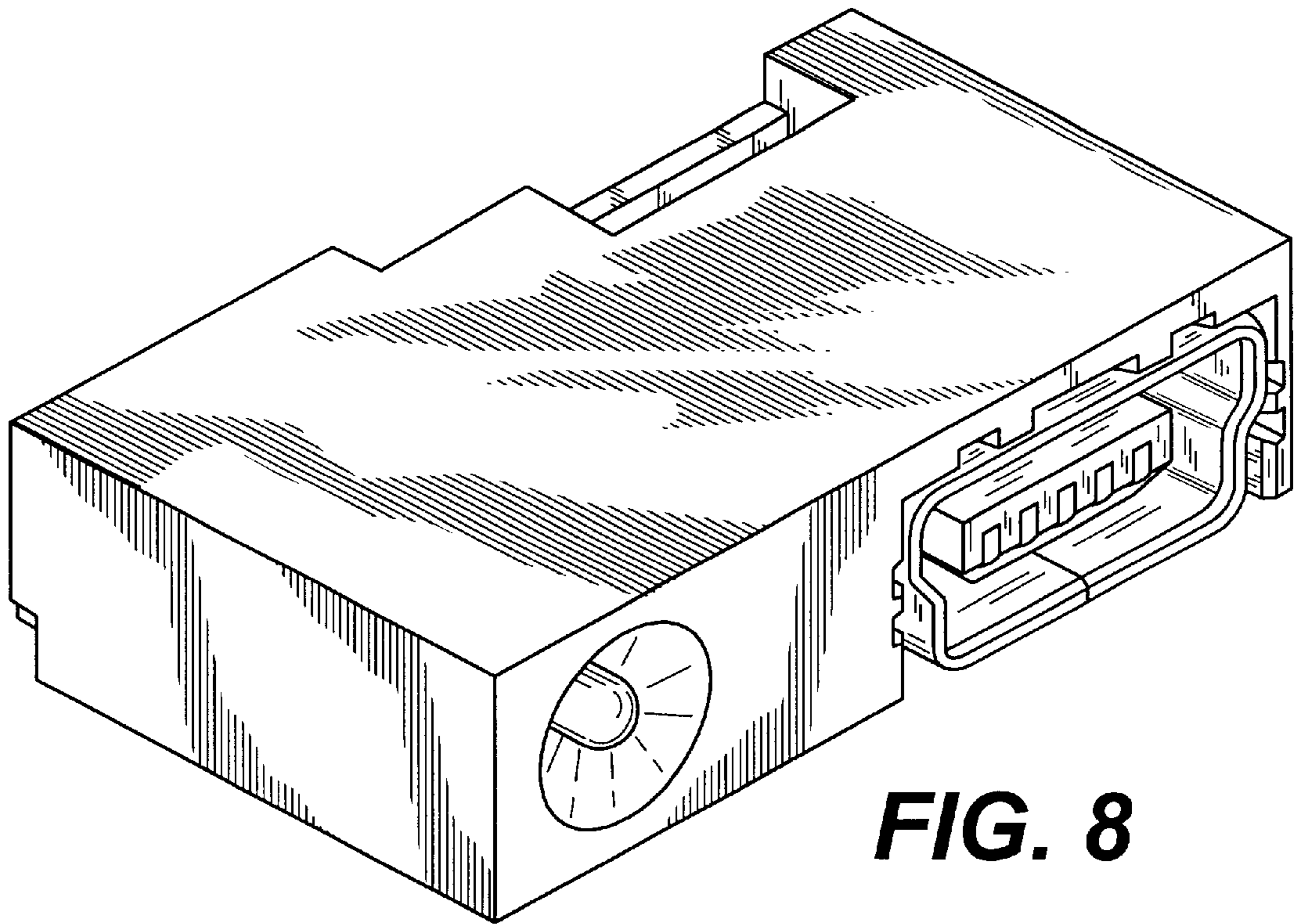


**FIG. 6**

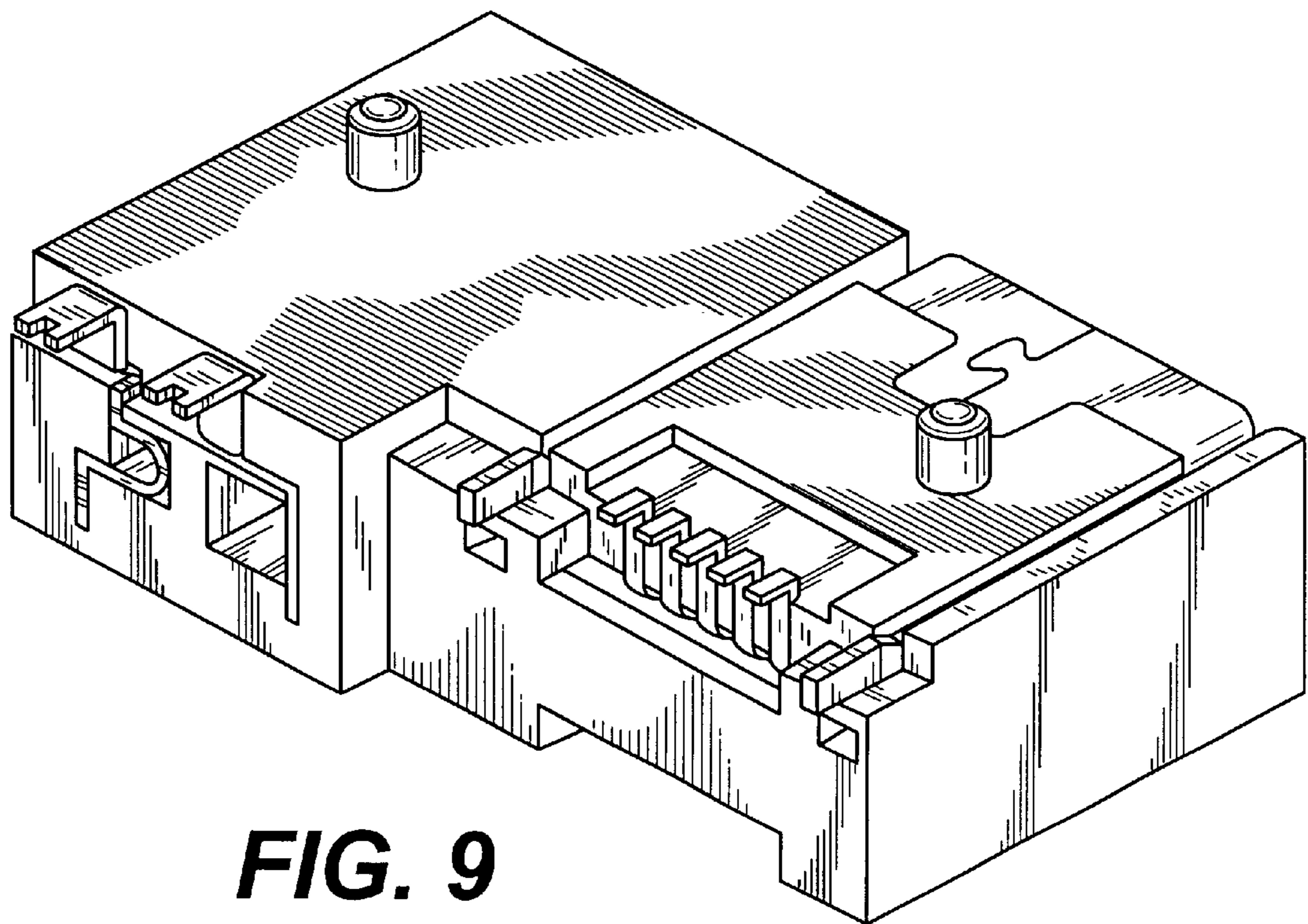


**FIG. 7**





**FIG. 8**



**FIG. 9**