



US00D490223S

(12) **United States Design Patent**  
**McClaskie**

(10) **Patent No.:** **US D490,223 S**

(45) **Date of Patent:** **\*\* May 25, 2004**

(54) **OUTSOLE**

(75) **Inventor:** **Thomas E. McClaskie**, Bethlehem, PA (US)

(73) **Assignee:** **Columbia Insurance Company**, Omaha, NE (US)

(\*\*) **Term:** **14 Years**

(21) **Appl. No.:** **29/183,318**

(22) **Filed:** **Jun. 10, 2003**

(51) **LOC (7) Cl.** ..... **02-04**

(52) **U.S. Cl.** ..... **D2/954; D2/954**

(58) **Field of Search** ..... D2/946-949, 951-960;  
36/3 B, 22 R, 25 R, 30 R, 32 A, 32 R,  
59 R, 67 A, 67 B

(56) **References Cited**

**U.S. PATENT DOCUMENTS**

2,090,881 A	*	8/1937	Wilson	36/29
D139,106 S	*	10/1944	Wright	D2/954
D206,222 S	*	11/1966	Mostile	D2/954
D238,832 S	*	2/1976	Famolare	D2/954
4,223,456 A	*	9/1980	Cohen	36/29
D263,348 S	*	3/1982	Cohen	D2/954
4,494,322 A	*	1/1985	Klagmann	36/28
4,843,741 A	*	7/1989	Yung-Mao	36/114
D306,793 S	*	3/1990	Schwartz	D2/954
D352,154 S	*	11/1994	Merceron	D2/952
D437,676 S	*	2/2001	Ferrer	D2/954
D441,945 S	*	5/2001	Della Valle	D2/956

D442,767 S	*	5/2001	Della Valle	D2/954
D446,635 S	*	8/2001	Pollastrelli	D2/954
D448,544 S	*	10/2001	Della Valle	D2/954
D467,061 S	*	12/2002	Della Valle	D2/954
D471,695 S	*	3/2003	Valle	D2/956
D474,003 S	*	5/2003	Della Valle	D2/923
D474,879 S	*	5/2003	Nason	D2/955
D481,201 S	*	10/2003	Shea et al.	D2/954

\* cited by examiner

*Primary Examiner*—Celia Murphy

(74) *Attorney, Agent, or Firm*—St. Onge Steward Johnston & Reens LLC

(57) **CLAIM**

I claim the ornamental design for outsole, as shown and described.

**DESCRIPTION**

FIG. 1 is a bottom plan view of an outsole showing my new design;

FIG. 2 is a right side elevational view thereof;

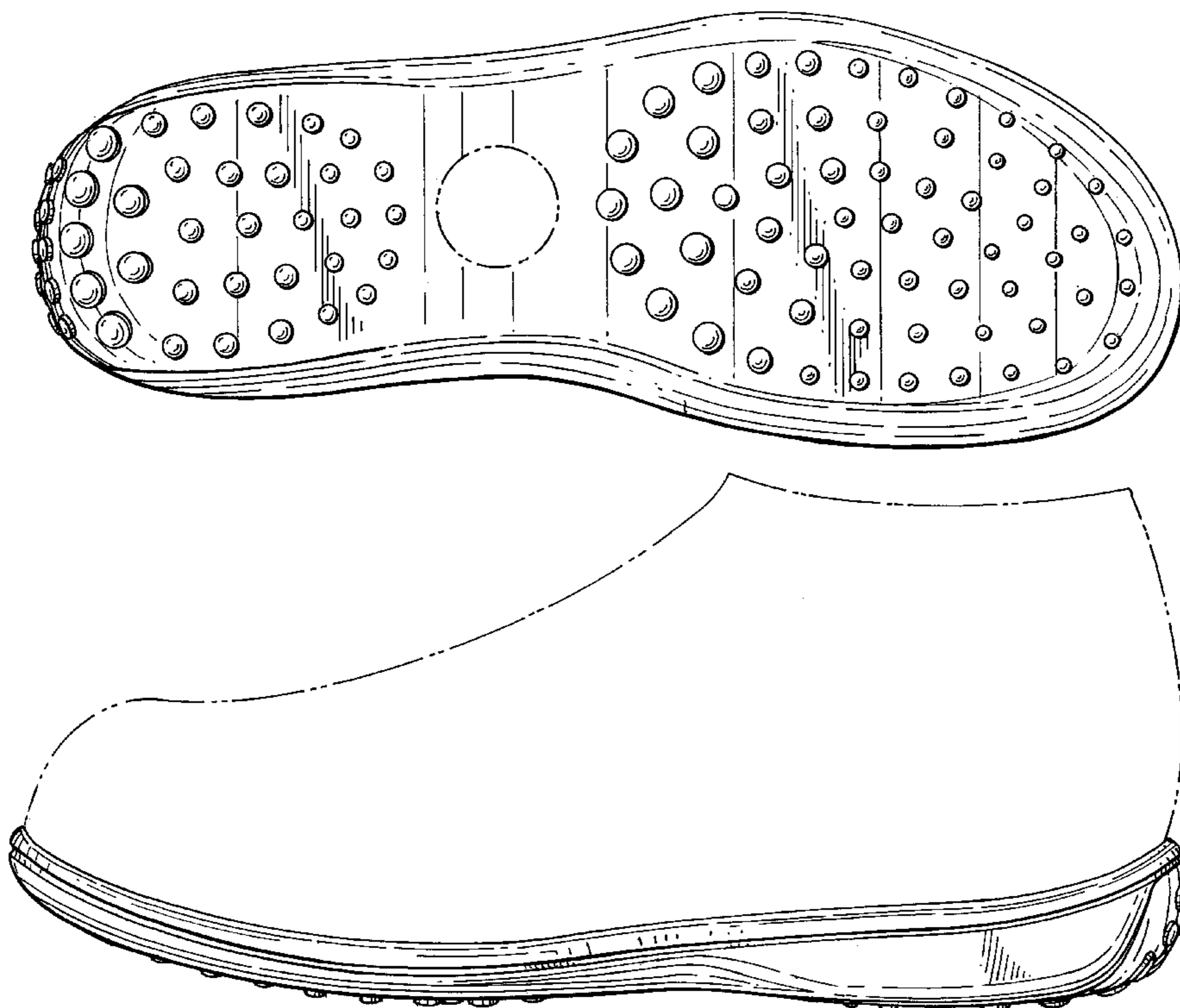
FIG. 3 is a left side elevational view thereof;

FIG. 4 is a front elevational view thereof; and,

FIG. 5 is a rear elevational view thereof.

The broken line showing a shoe upper in FIGS. 2-5 illustrates the portion of the design that forms no part of the claim. The broken circle in FIG. 1 defines the boundary of the claimed design; the broken lines and the area within, forming no part of the claim.

**1 Claim, 4 Drawing Sheets**



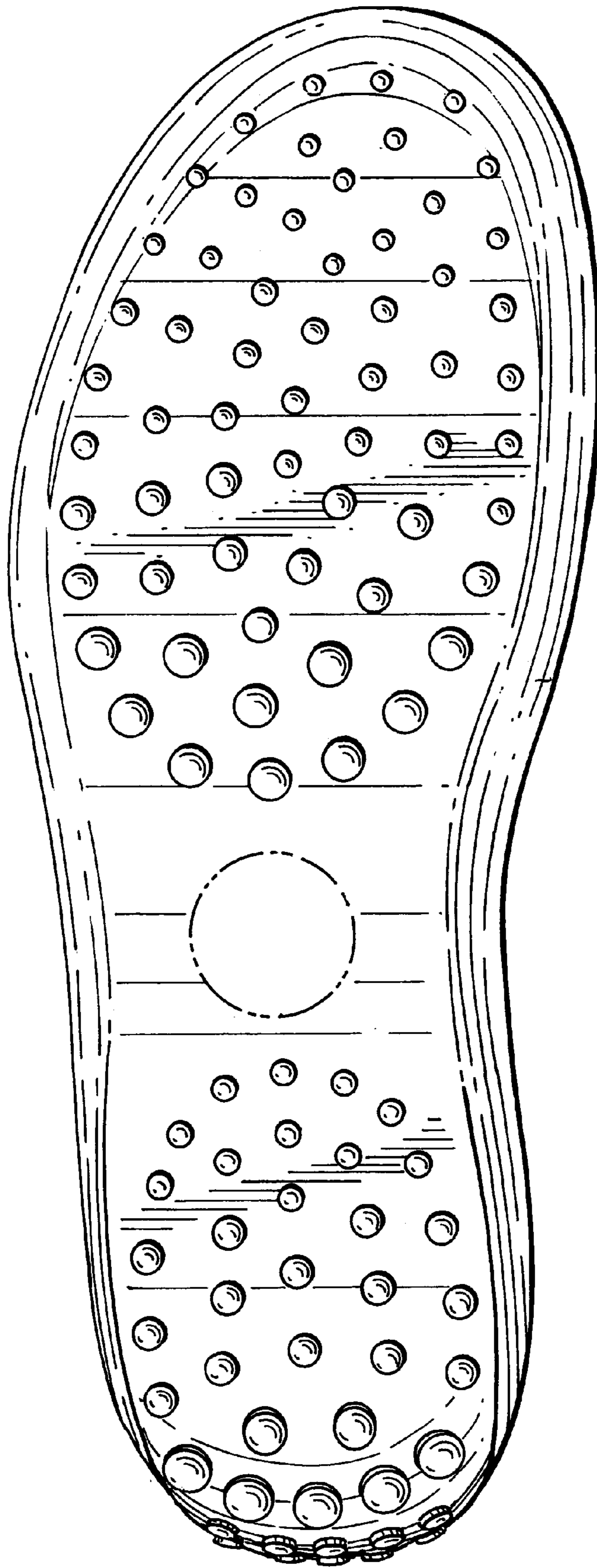
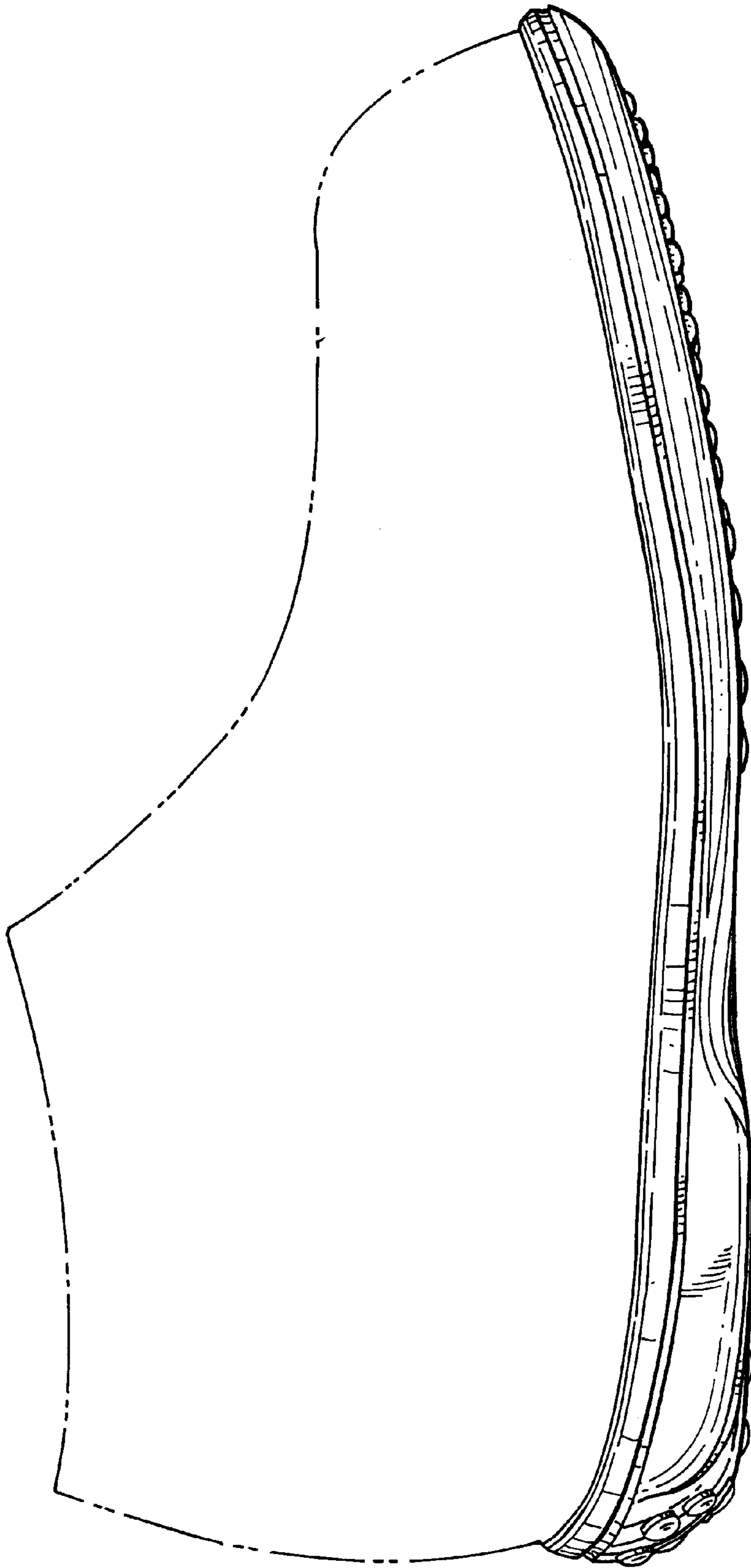


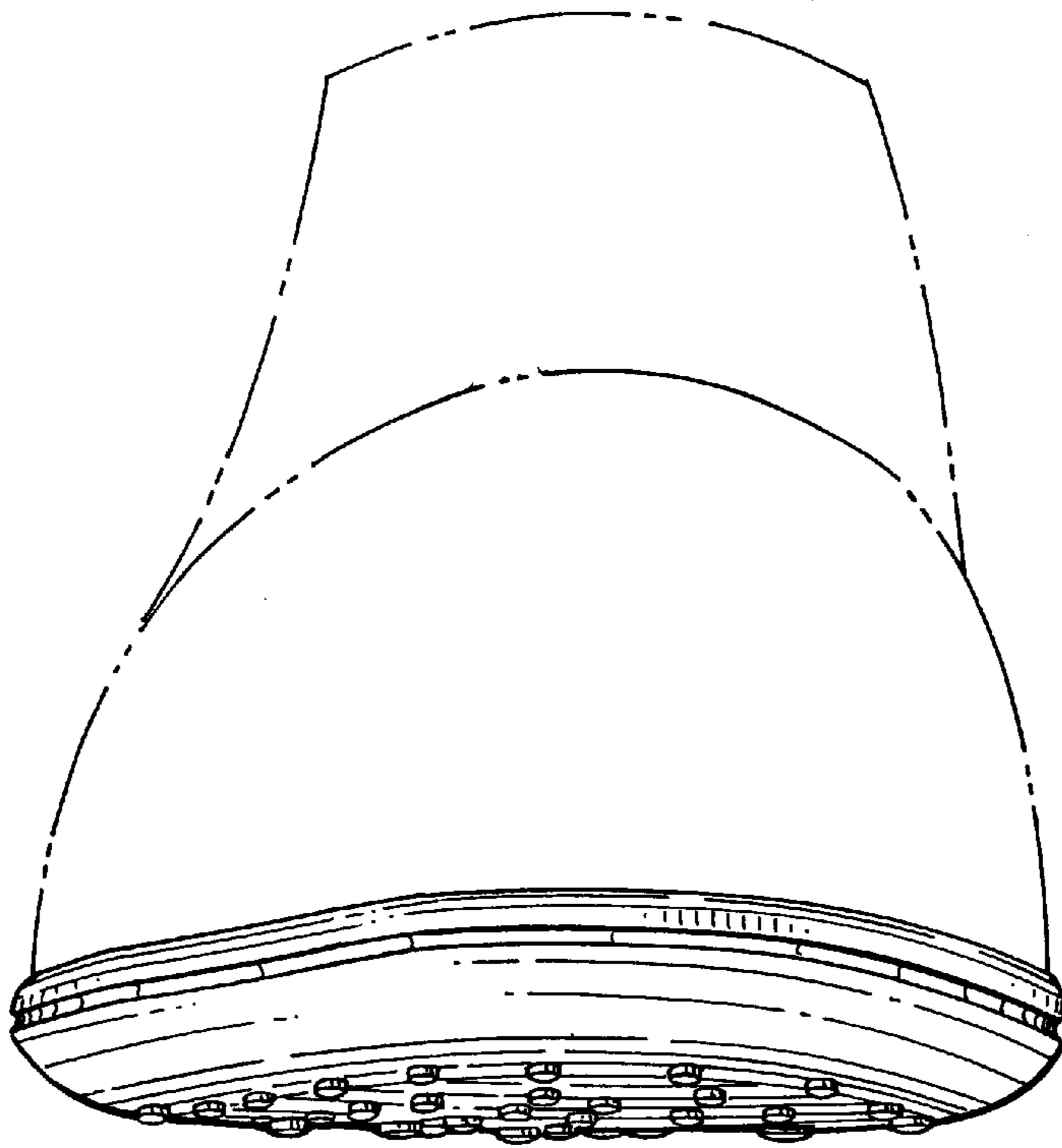
FIG. 1



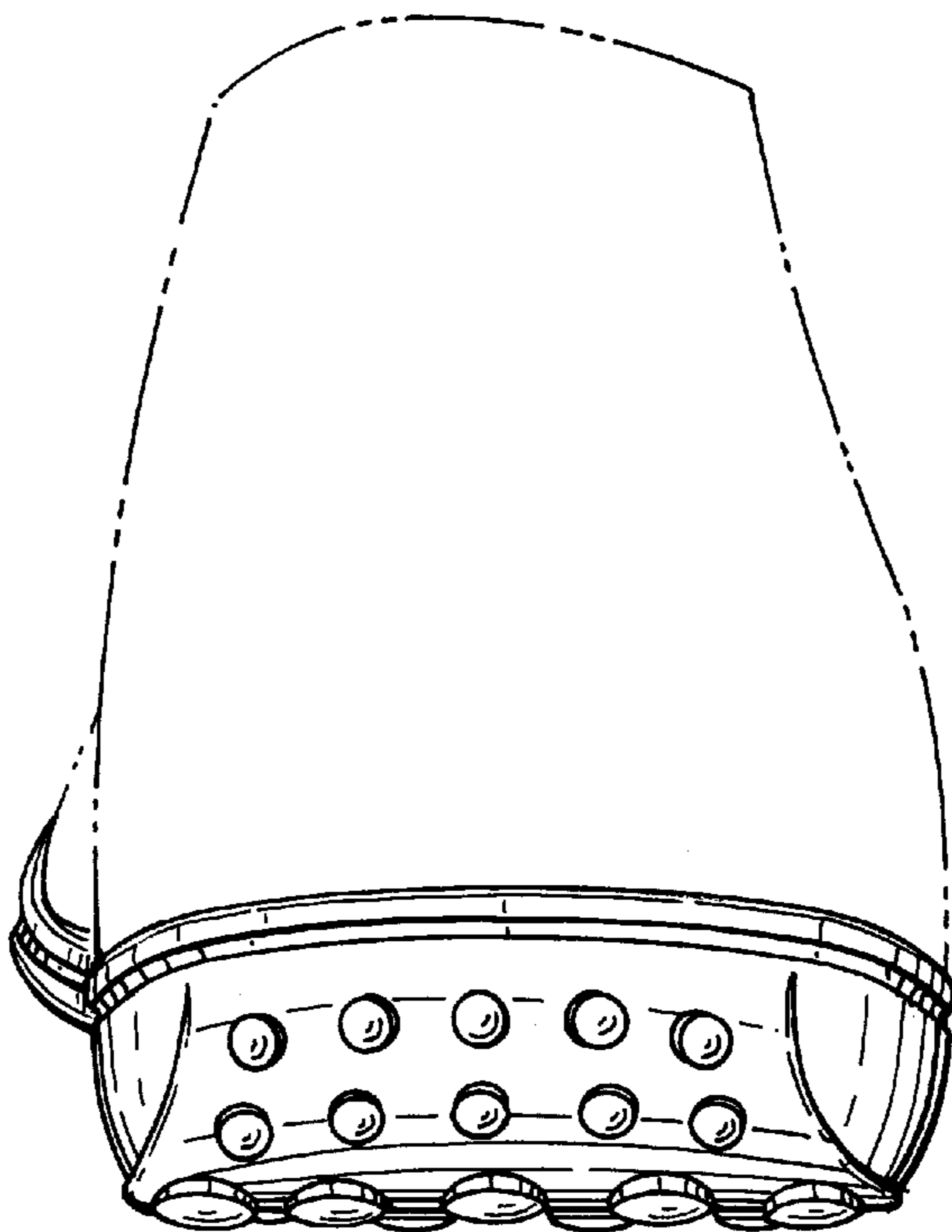
*FIG. 2*



*FIG. 3*



*FIG. 4*



*FIG. 5*