



US00D490206S

(12) **United States Design Patent** (10) **Patent No.:** **US D490,206 S**  
**Perella et al.** (45) **Date of Patent:** **\*\* May 18, 2004**

(54) **SECURITY BOX**

*Primary Examiner—Paula A. Mortimer*  
(74) *Attorney, Agent, or Firm—Pillsbury Winthrop LLP*

(75) Inventors: **Daniel Perella**, Hudson, OH (US);  
**Anthony Decarlo**, Bay Village, OH  
(US); **Vincent Thomson**, Avon Lake,  
OH (US)

(57) **CLAIM**

(73) Assignee: **Ideastream Consumer Products LLC**,  
Pharma, OH (US)

The ornamental design for a security box, as shown and described.

(\*\*) Term: **14 Years**

**DESCRIPTION**

(21) Appl. No.: **29/180,361**

A portion of the disclosure of this patent document contains material to which a claim for copyright is made. The copyright owner has no objection to the facsimile reproduction of the patent document or the patent disclosure, as it appears in the Patent and Trademark Office patent file or records, but reserves all other copyrights whatsoever.

(22) Filed: **Apr. 23, 2003**

(51) **LOC (7) Cl.** ..... **99-00**

(52) **U.S. Cl.** ..... **D99/28**

(58) **Field of Search** ..... D99/28, 34, 35,  
D99/36, 43; D3/268, 276, 272, 281, 905;  
206/278, 305, 349; 190/115; 232/4 R

FIG. 1 is a perspective view of a security box showing our new design, it being understood that the subject matter in dashed lines forms no part of the claimed subject matter; FIG. 2 is a front elevational view thereof; FIG. 3 is a rear elevational view thereof; FIG. 4 is a left side profile view thereof; FIG. 5 is a right side profile view thereof; and, FIG. 6 is a top plan view thereof.

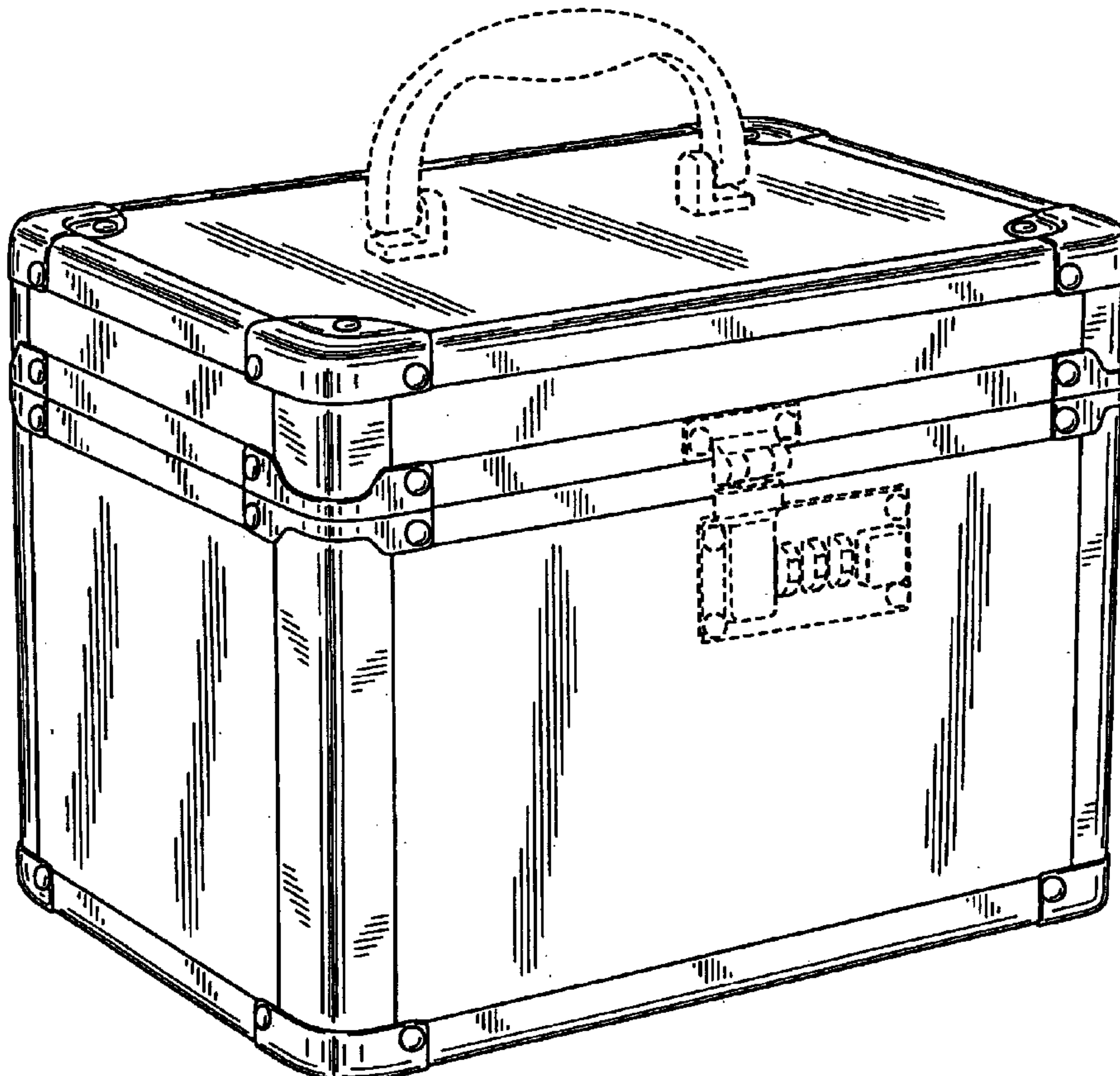
(56) **References Cited**

**U.S. PATENT DOCUMENTS**

D129,108 S	*	8/1941	Sprague	.....	D3/268
D314,666 S	*	2/1991	Lanius	.....	D3/281
D393,526 S	*	4/1998	Robey et al.	.....	D99/28
D414,037 S	*	9/1999	Akaike et al.	.....	D3/276

\* cited by examiner

**1 Claim, 6 Drawing Sheets**



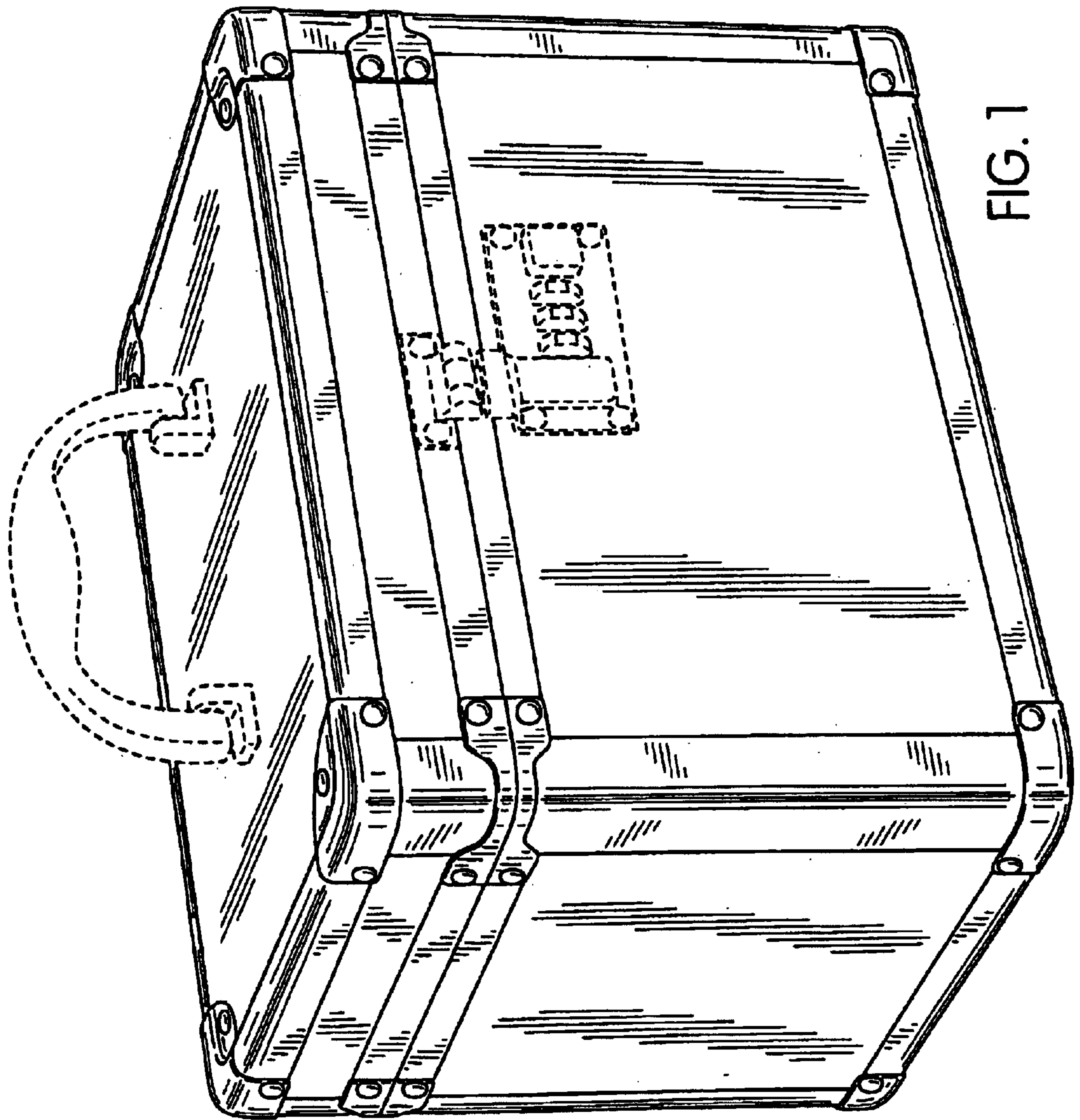


FIG. 1

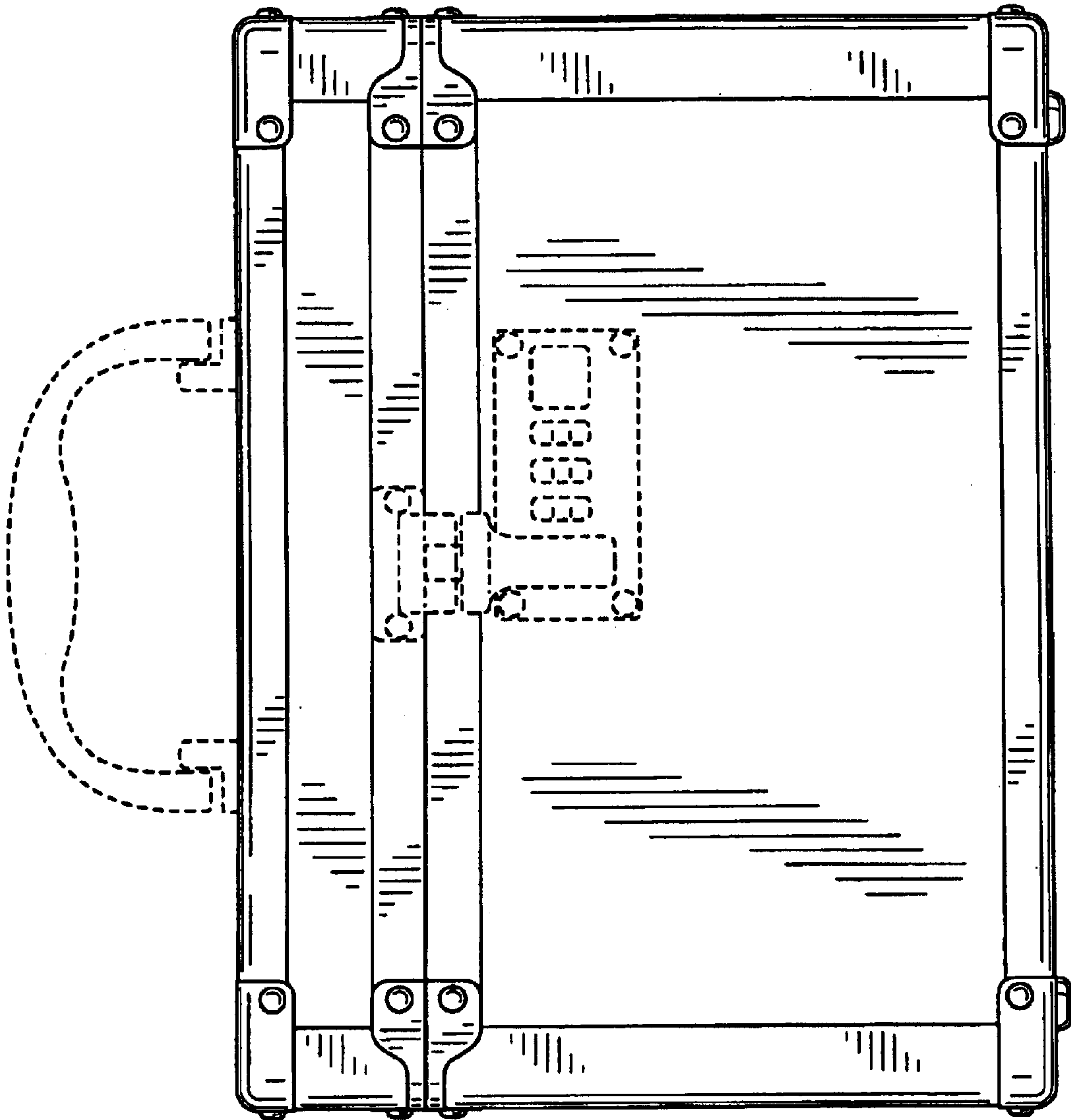


FIG. 2

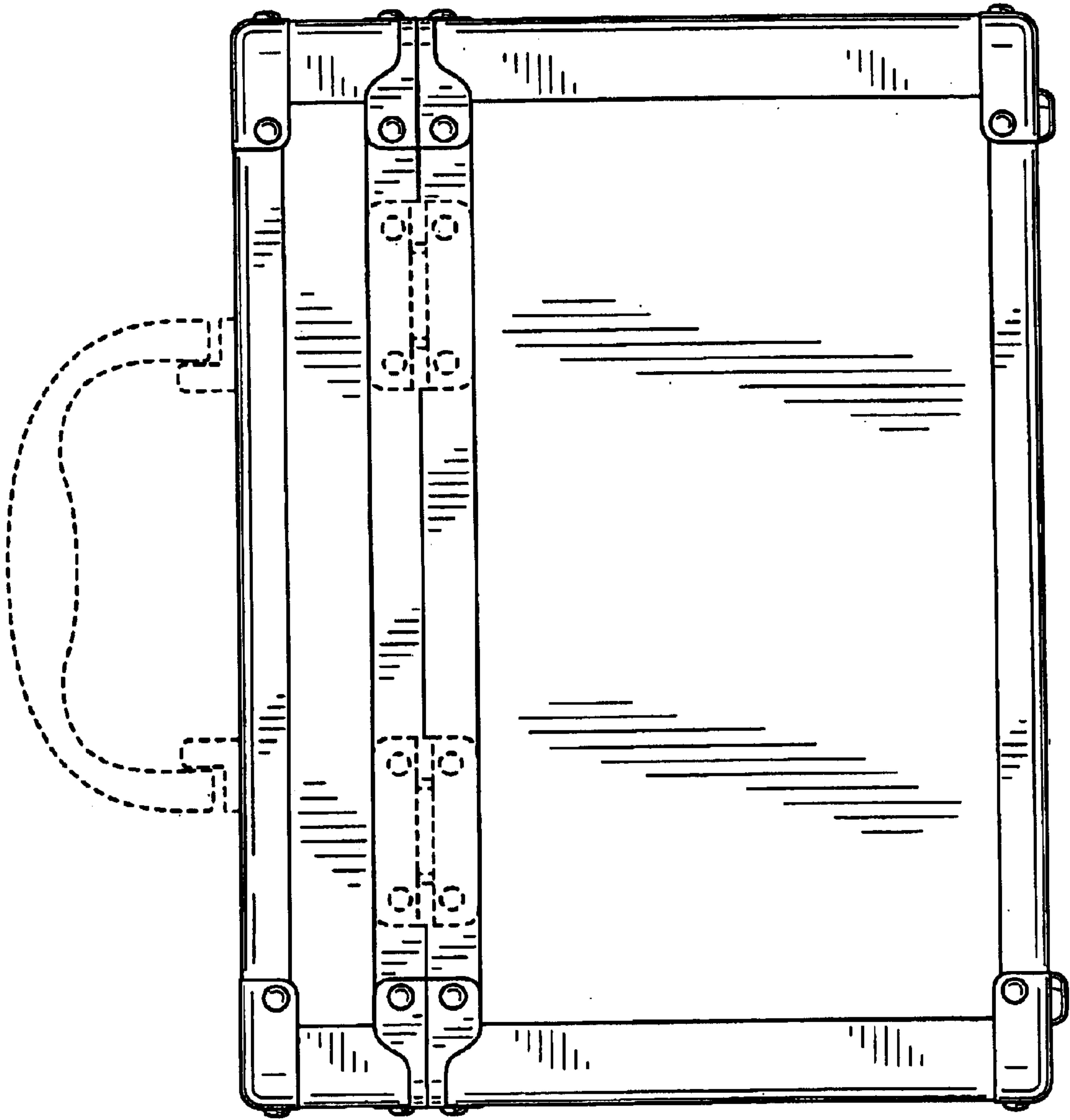


FIG. 3

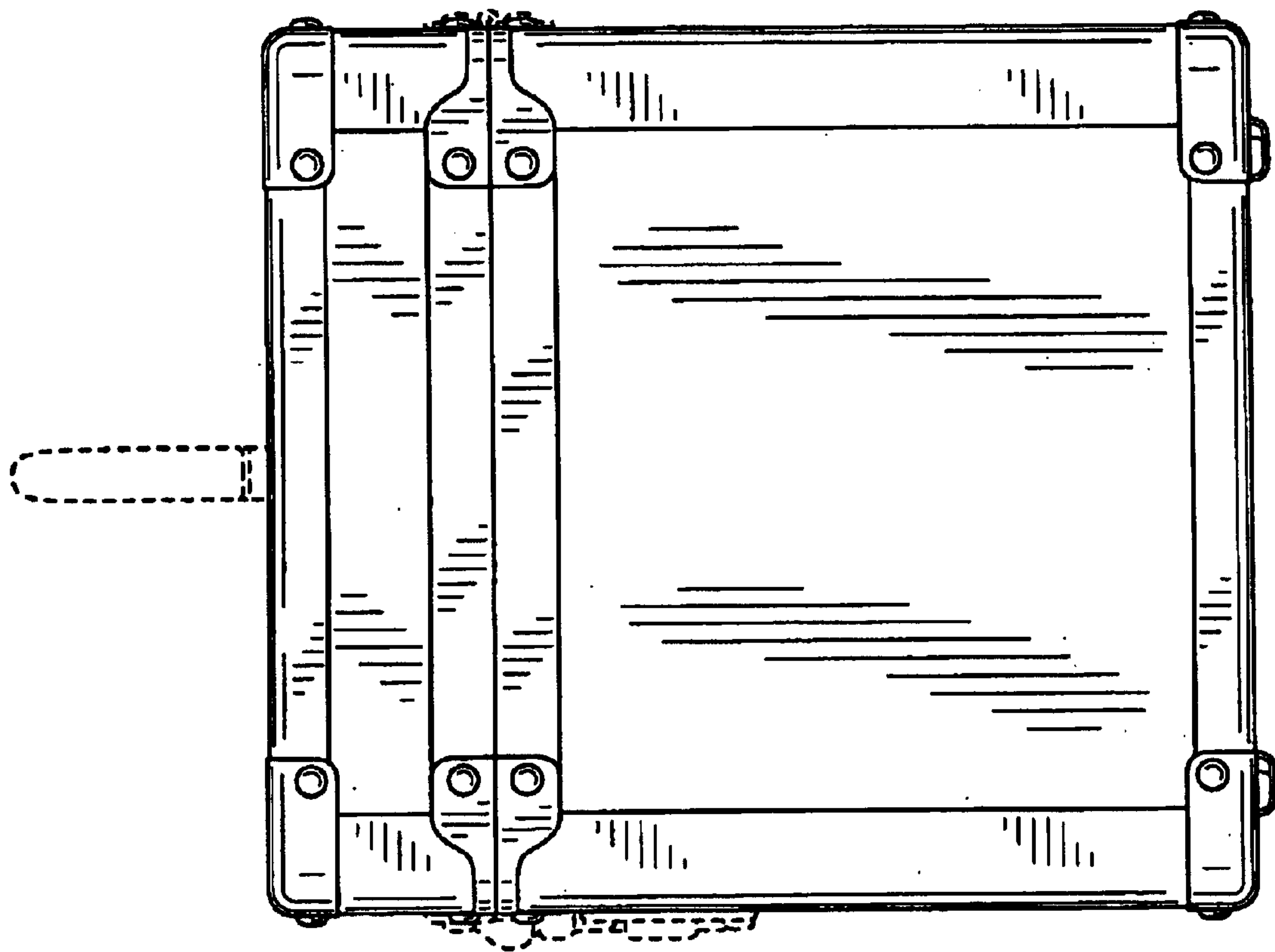


FIG. 4

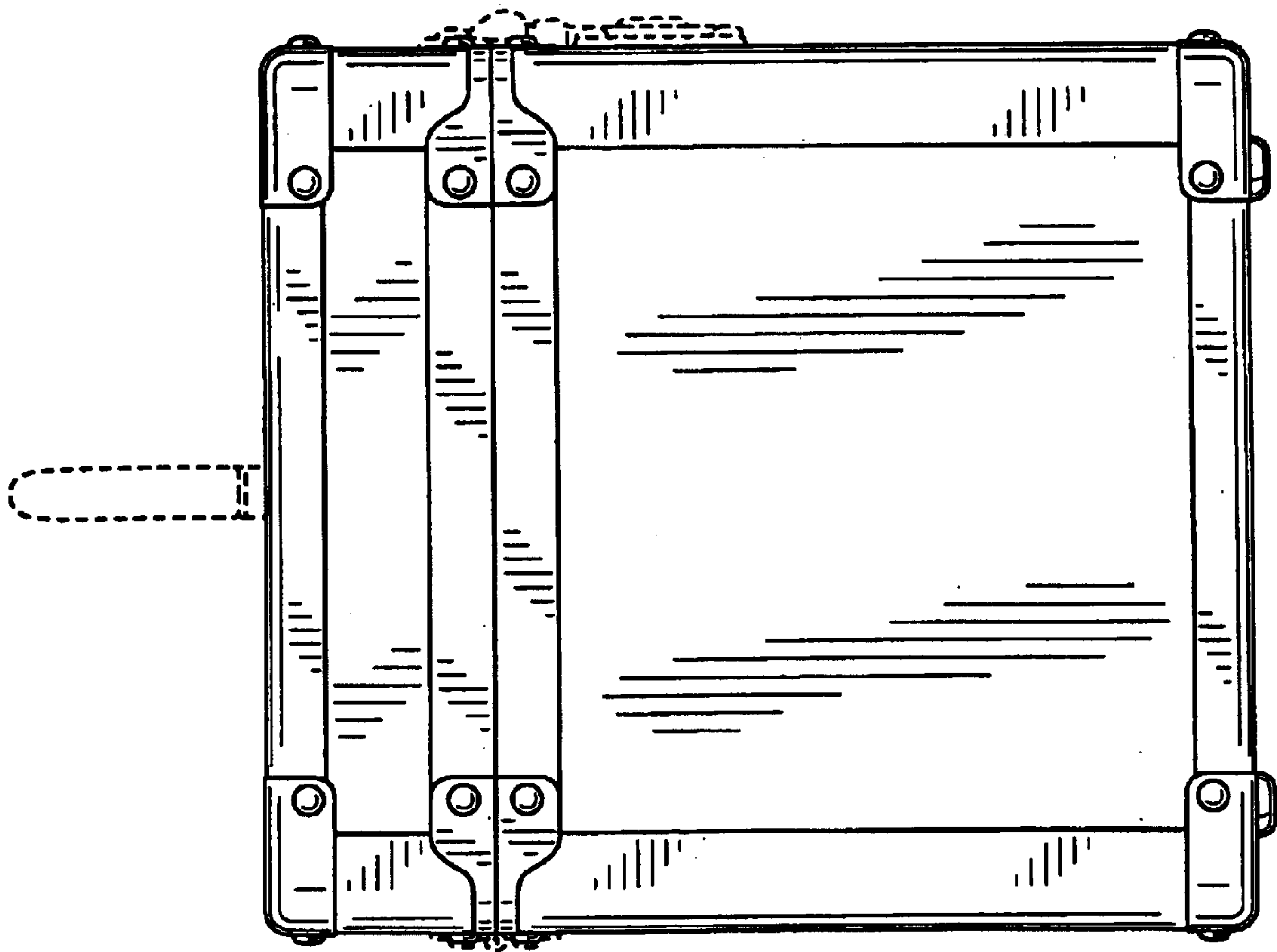


FIG. 5



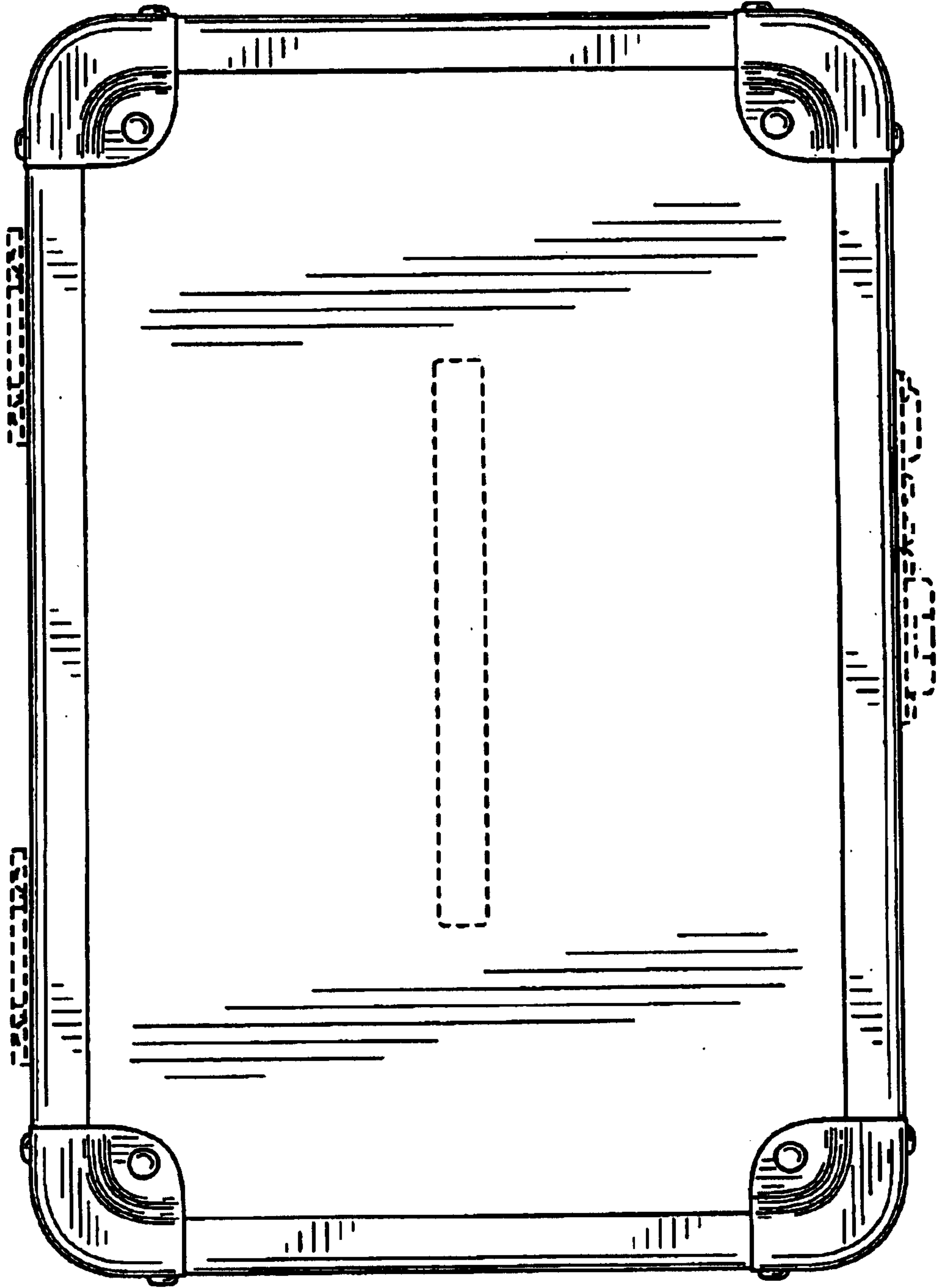


FIG. 6