



US00D490201S

(12) **United States Design Patent**
Liao

(10) **Patent No.:** **US D490,201 S**

(45) **Date of Patent:** **** May 18, 2004**

(54) **COMBINED SUCTION CUP GRIP AND LID**

(75) Inventor: **Po-Lin Liao**, Taichung (TW)

(73) Assignee: **Lih Yann Co., Ltd.**, Taichung (TW)

(**) Term: **14 Years**

(21) Appl. No.: **29/174,583**

(22) Filed: **Jan. 21, 2003**

(51) **LOC (7) Cl.** **12-05**

(52) **U.S. Cl.** **D34/28**

(58) **Field of Search** D34/33, 28, 35;
D13/183; 335/285, 288, 289, 291, 294,
295

(56) **References Cited**

U.S. PATENT DOCUMENTS

1,459,830 A	*	6/1923	Jessop	335/291
1,532,449 A	*	4/1925	Sederholm	335/290
1,945,383 A	*	1/1934	Sauer	335/291
2,220,561 A	*	11/1940	Ward	294/65.5
2,825,011 A	*	2/1958	Injeski, Jr.	361/144
D195,265 S	*	5/1963	Scott	D34/35
D195,266 S	*	5/1963	Scott	D34/35
D195,267 S	*	5/1963	Scott	D34/35
3,159,418 A	*	12/1964	Hansen	294/2
3,298,730 A	*	1/1967	Soley	294/65.5

3,335,378 A	*	8/1967	Corvino	335/286
3,763,453 A	*	10/1973	Schurr	335/292
4,112,248 A	*	9/1978	Leive	174/50
4,185,261 A	*	1/1980	Nagata	335/291
D337,411 S	*	7/1993	Smith	D34/35
5,748,062 A	*	5/1998	Kirkpatrick	335/294
6,076,873 A	*	6/2000	Jung	294/65.5
6,104,270 A	*	8/2000	Elias	335/289
D446,623 S	*	8/2001	Smith	D34/35

* cited by examiner

Primary Examiner—Cynthia E. Ramirez

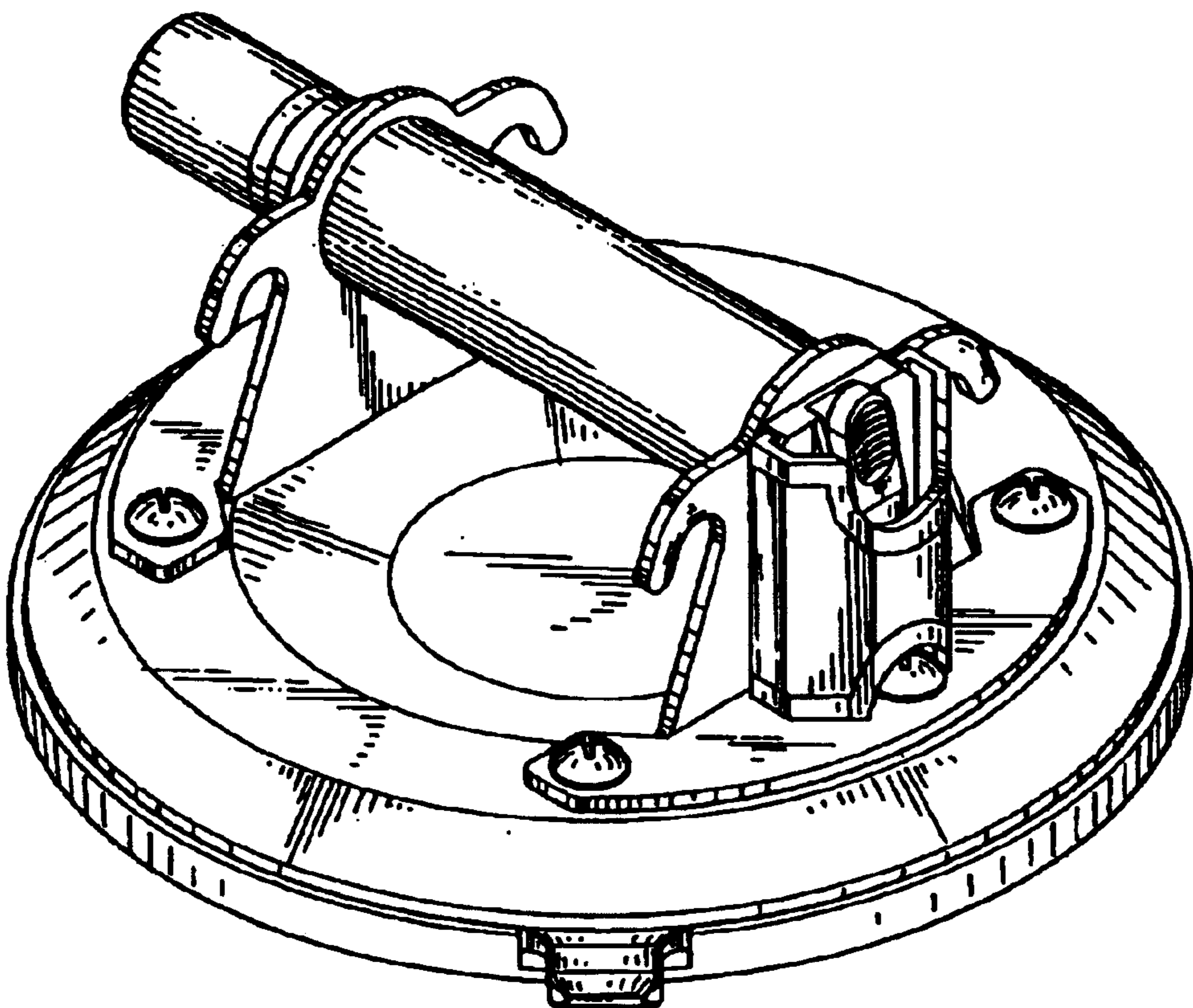
(57) **CLAIM**

The ornamental design for a combined suction cup grip and lid, as shown and described.

DESCRIPTION

FIG. 1 is a perspective view of my new design; FIG. 2 is a right elevational view thereof; FIG. 3 is a top elevational view thereof; FIG. 4 is a front elevational view thereof; FIG. 5 is a bottom plan view thereof; FIG. 6 is a left elevational view thereof; FIG. 7 is a rear elevational view of my new design; and, FIG. 8 is a perspective view showing the sucking cup with a protect lid.

1 Claim, 8 Drawing Sheets



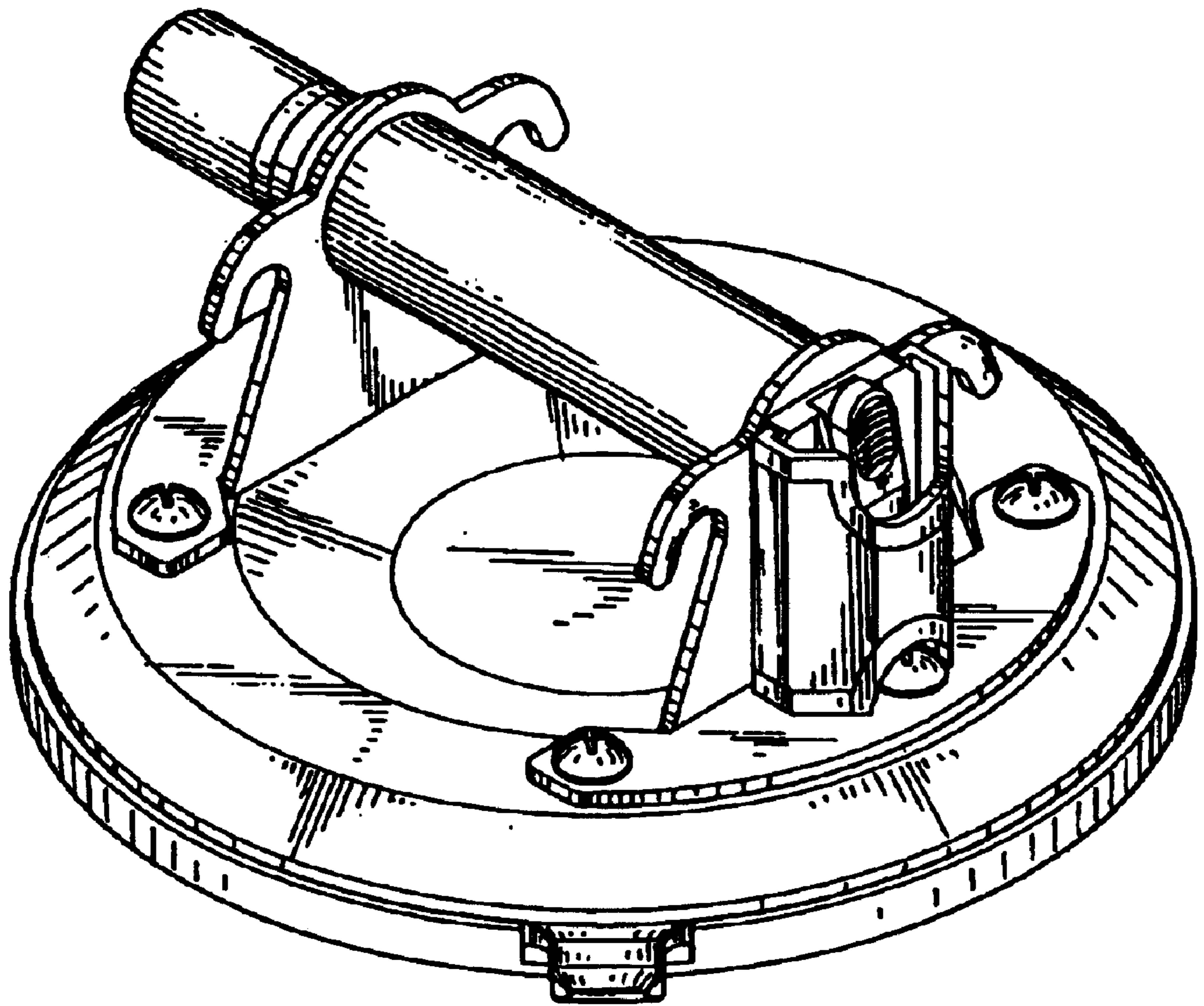


Fig. 1

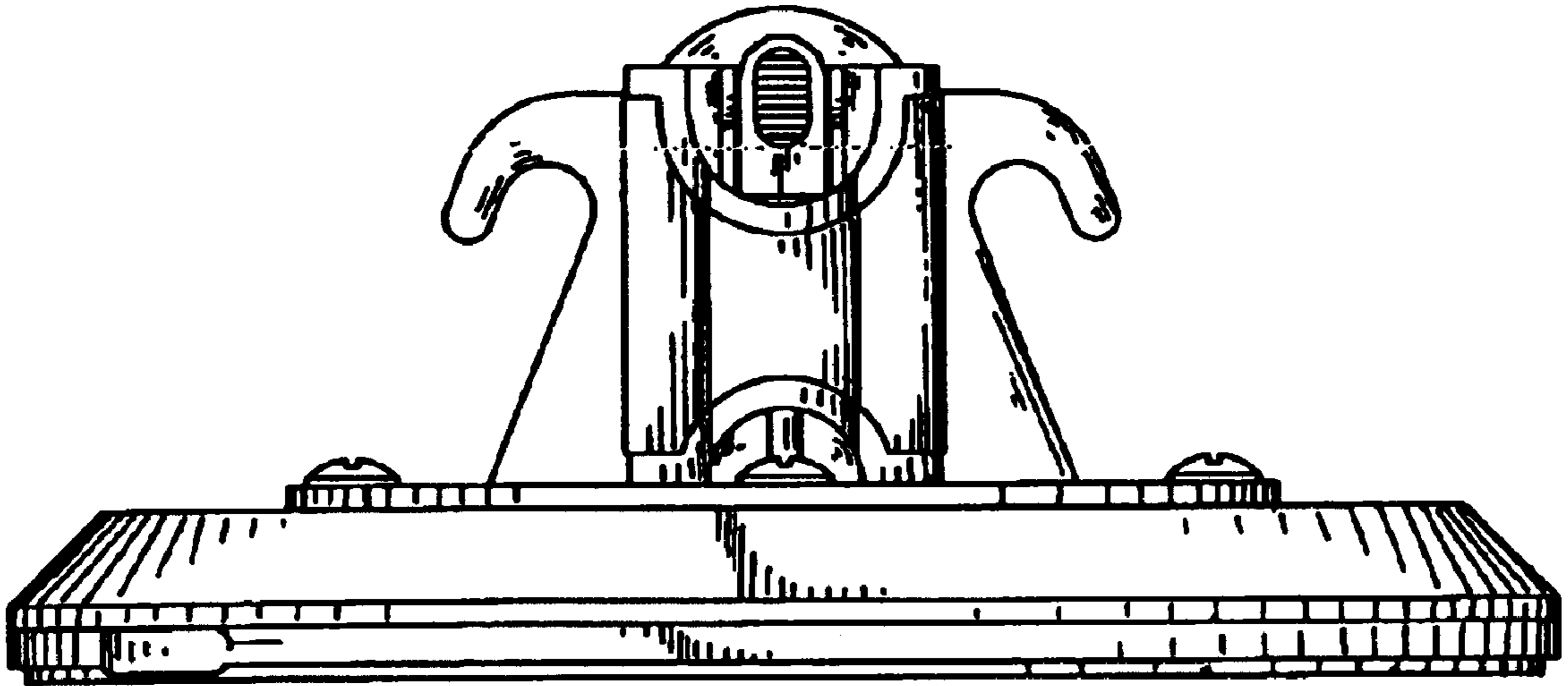


Fig. 2

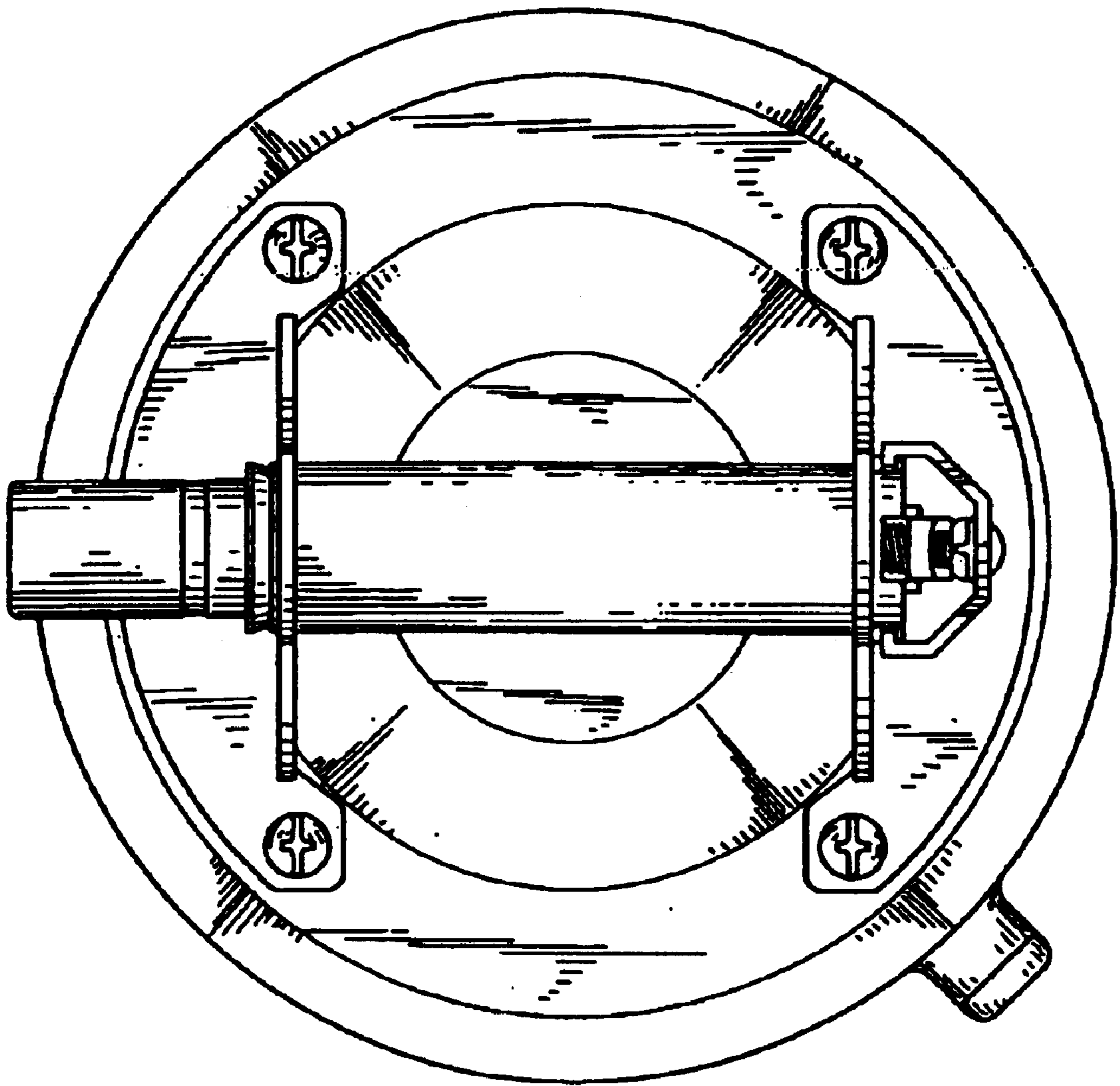


Fig. 3

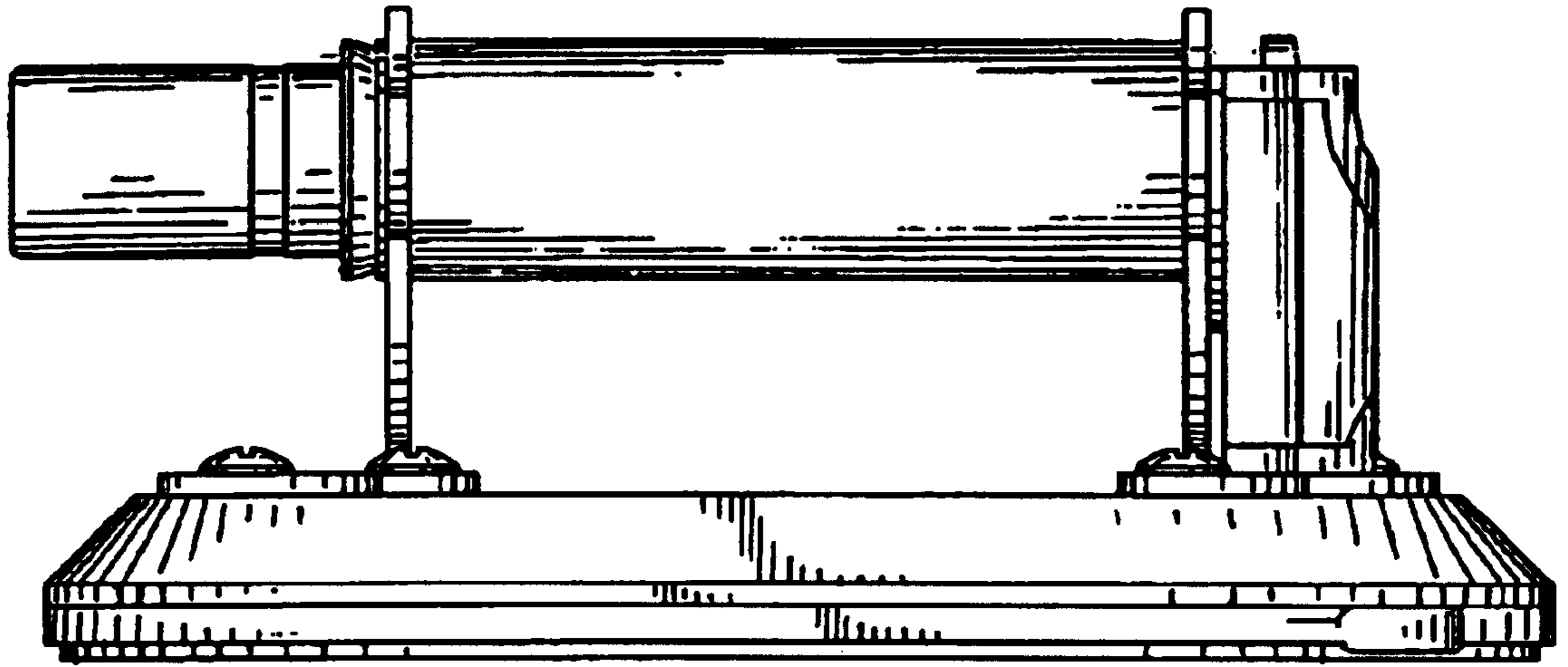


Fig. 4

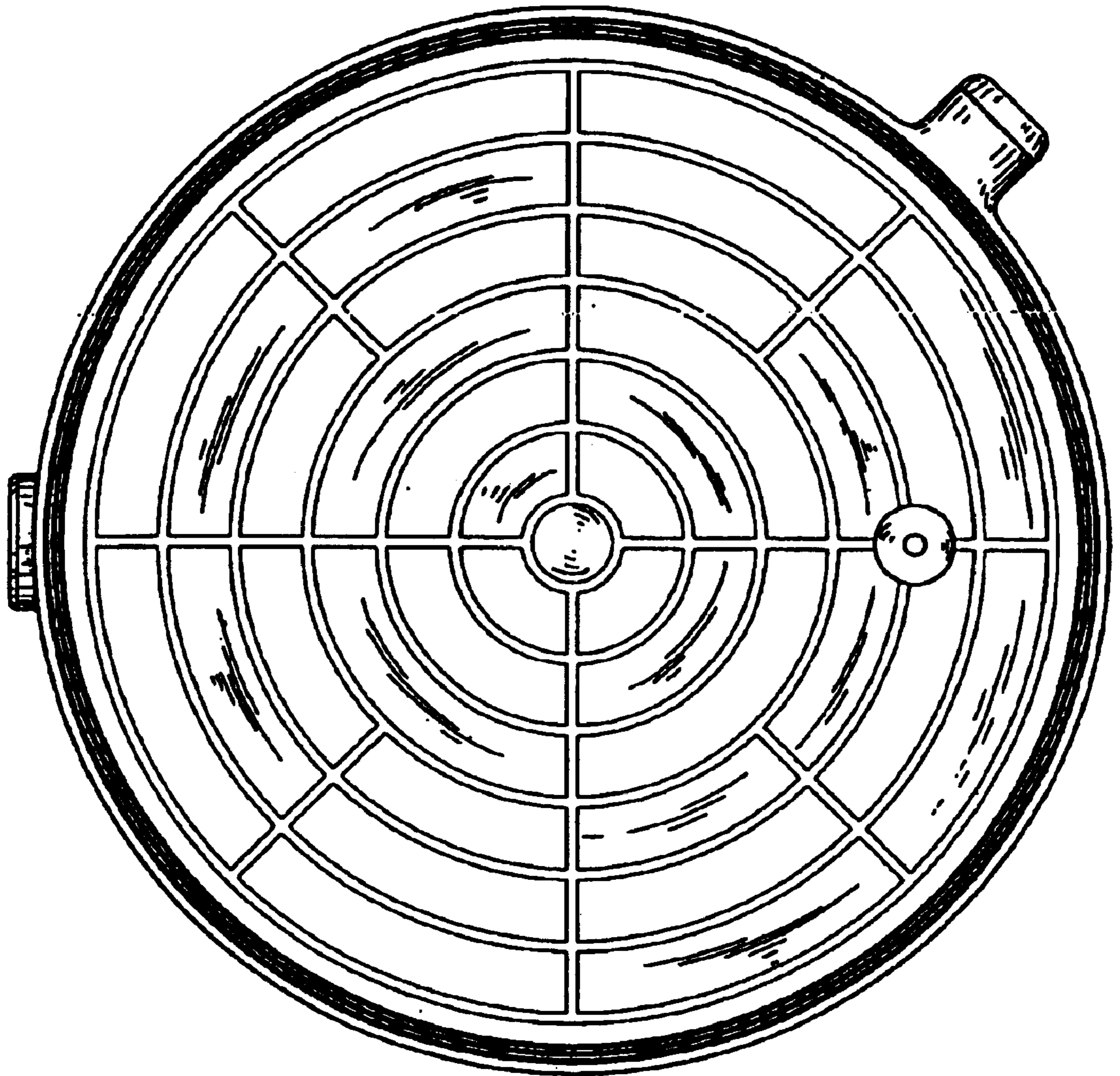


Fig. 5

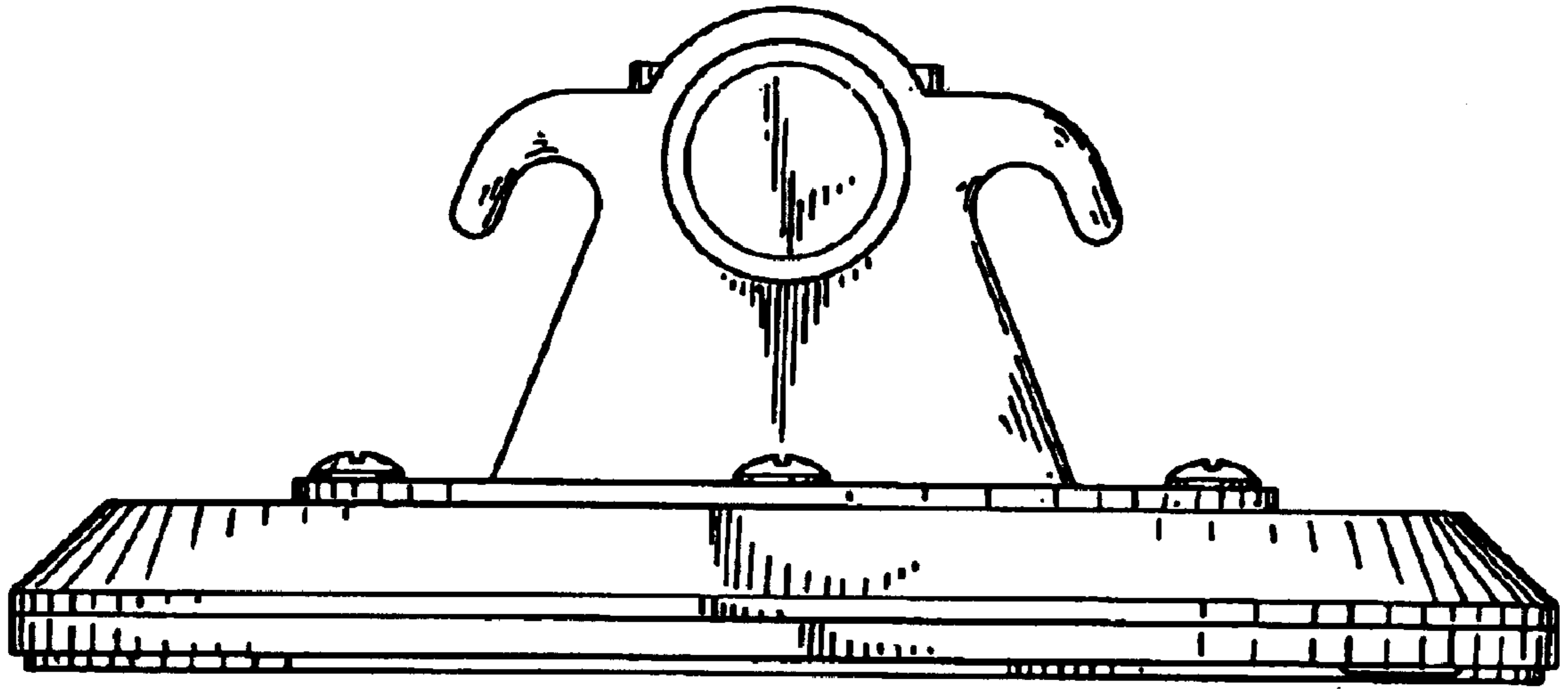


Fig. 6

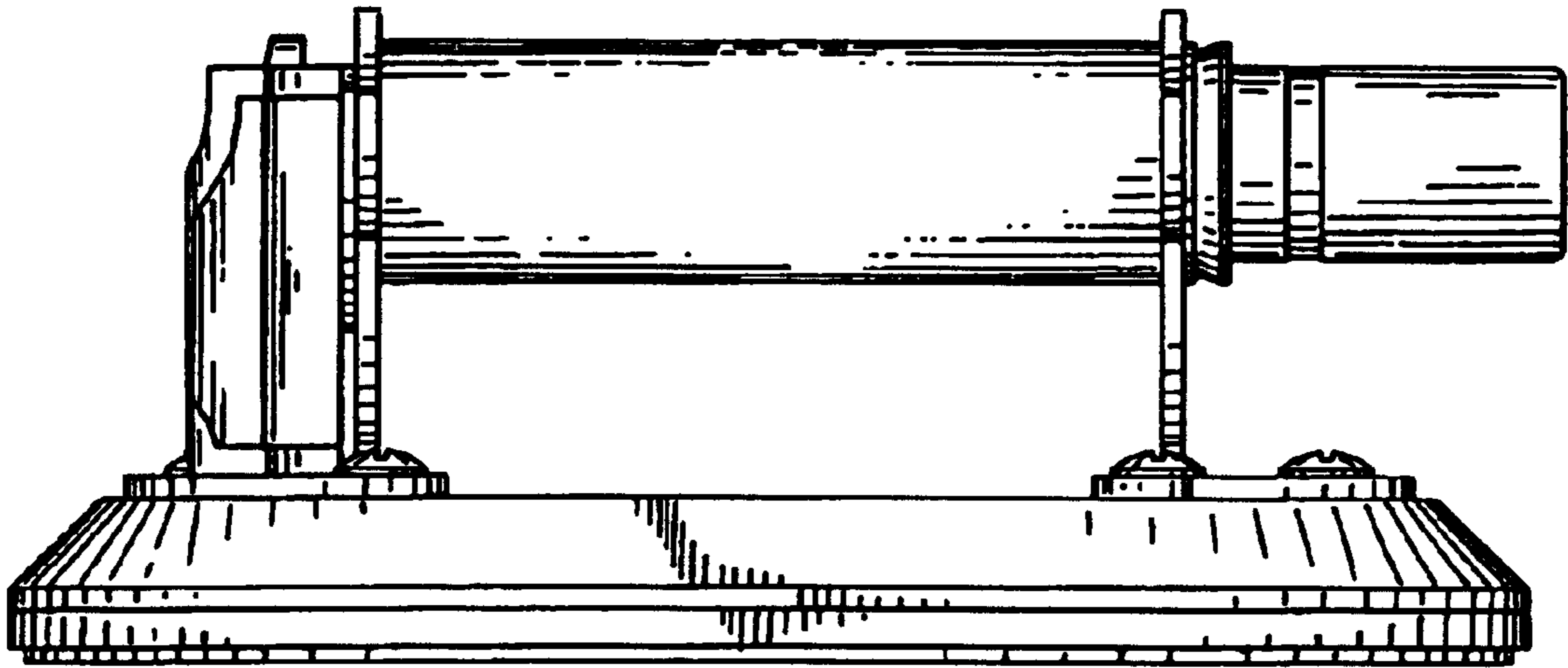


Fig. 7

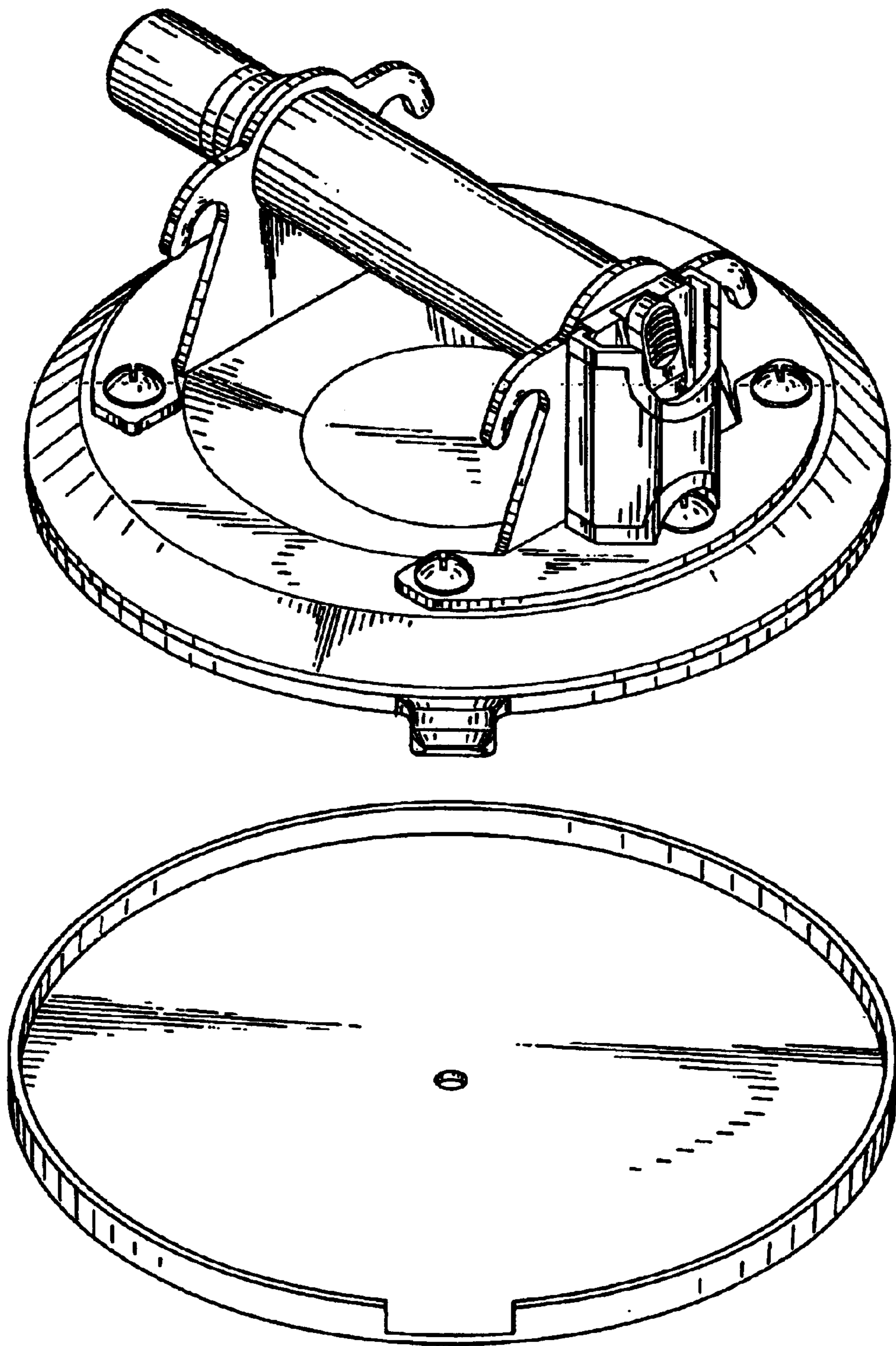


Fig. 8