



US00D490200S

(12) **United States Design Patent**
Arceta

(10) **Patent No.:** **US D490,200 S**

(45) **Date of Patent:** **** May 18, 2004**

- (54) **NARROW-AISLE RESTOCKING CART**
- (75) Inventor: **Radmond Arceta**, Winchester, VA (US)
- (73) Assignee: **Rubbermaid Commercial Products LLC**, Winchester, VA (US)
- (**) Term: **14 Years**
- (21) Appl. No.: **29/190,555**
- (22) Filed: **Sep. 24, 2003**

- 3,912,291 A 10/1975 Frisch
- 3,993,319 A 11/1976 Day
- 4,068,855 A 1/1978 Hackett
- 4,077,644 A 3/1978 Roby et al.
- 4,165,088 A 8/1979 Nelson
- 4,166,638 A 9/1979 De Prado
- 4,184,618 A 1/1980 Jones
- 4,274,567 A 6/1981 Sawyer
- 4,376,502 A 3/1983 Cohen
- 4,450,994 A 5/1984 Holland
- 4,493,492 A 1/1985 Balabanova
- 4,505,495 A 3/1985 Foss et al.
- D284,610 S 7/1986 Harris et al.
- 4,643,280 A 2/1987 Hensley
- 4,702,402 A 10/1987 Ferri

Related U.S. Application Data

- (62) Division of application No. 29/167,681, filed on Sep. 20, 2002, now Pat. No. Des. 484,295.
- (51) **LOC (7) Cl.** **12-02**
- (52) **U.S. Cl.** **D34/17; D34/21**
- (58) **Field of Search** **D34/12-27; 280/79.11, 280/79.2, 79.3, 47.24, 47.34, 47.35, 33.997; 211/134, 49**

(List continued on next page.)

Primary Examiner—Kay H. Chin
(74) *Attorney, Agent, or Firm*—Foley & Lardner

(57) **CLAIM**

The ornamental design for a narrow-aisle restocking cart, as shown and described.

(56) **References Cited**

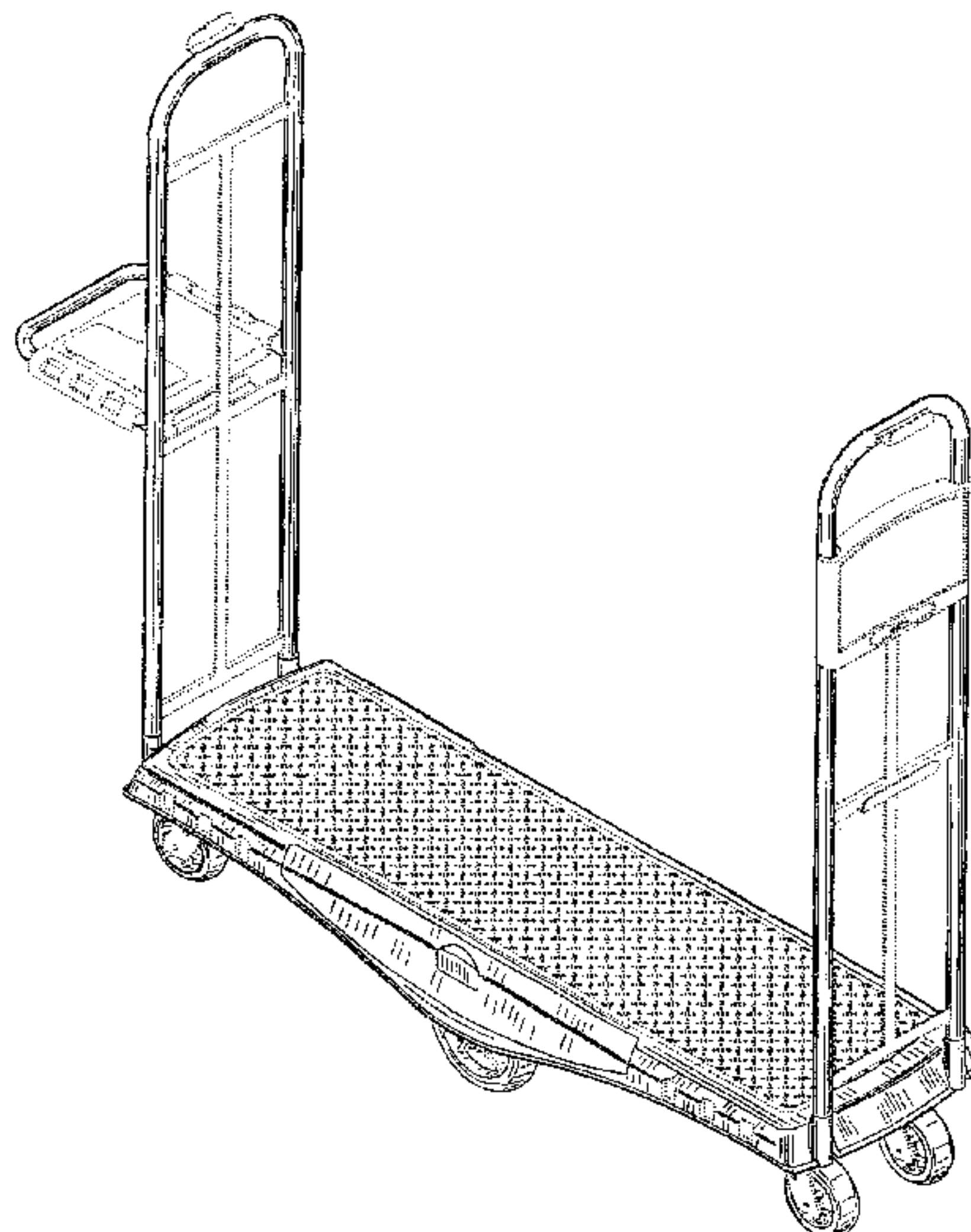
U.S. PATENT DOCUMENTS

- 465,489 A 12/1891 Nutting
- 612,523 A 10/1898 Martin
- 2,572,780 A 10/1951 Tackenberg
- 2,673,671 A 3/1954 Williams
- 2,723,474 A 11/1955 Minter
- 2,885,090 A 5/1959 Forman et al.
- 2,888,781 A 6/1959 Miller
- 2,953,386 A 9/1960 Keller et al.
- 3,052,484 A 9/1962 Huffman et al.
- D196,693 S 10/1963 Shape
- RE25,616 E 7/1964 Stanley
- 3,218,748 A 11/1965 Hopp
- 3,305,243 A 2/1967 Manfredi, Jr. et al.
- 3,618,329 A 11/1971 Hanson
- 3,702,033 A 11/1972 Coleman
- 3,762,739 A 10/1973 Tabet
- 3,853,329 A 12/1974 McDonald
- 3,856,320 A 12/1974 Blanchard
- 3,879,053 A 4/1975 Chvala

DESCRIPTION

FIG. 1 is a top front perspective view of a narrow-aisle restocking cart according to my new design;
 FIG. 2 is a right side view thereof;
 FIG. 3 is a left side view thereof;
 FIG. 4 is a rear view thereof;
 FIG. 5 is a front view thereof;
 FIG. 6 is a top view thereof;
 FIG. 7 is a bottom view thereof;
 FIG. 8 is a top front perspective view thereof with some of the environmental structure removed for clarity;
 FIG. 9 is a right side view of FIG. 8;
 FIG. 10 is a left side view of FIG. 8;
 FIG. 11 is a rear view of FIG. 8;
 FIG. 12 is a front view of FIG. 8;
 FIG. 13 is a top view of FIG. 8; and,
 FIG. 14 is a bottom view of FIG. 8.

1 Claim, 14 Drawing Sheets



US D490,200 S

Page 2

U.S. PATENT DOCUMENTS

4,765,077 A	8/1988	Rosenthal et al.	5,901,482 A	5/1999	Sawyer et al.
4,773,175 A	9/1988	Larsen	5,913,528 A	6/1999	Kresse et al.
4,848,117 A	7/1989	Welborn et al.	5,915,723 A	6/1999	Austin
4,901,901 A	2/1990	Reitenour	D412,609 S	8/1999	Karp et al.
4,978,013 A	12/1990	Hogg	D417,763 S	12/1999	Monem
4,986,555 A	1/1991	Andreen	6,024,376 A	2/2000	Golichowski et al.
5,048,849 A	9/1991	Matthews et al.	6,036,219 A	3/2000	Oefelein et al.
5,086,960 A	2/1992	Schwietzer	6,042,127 A	3/2000	Rupolo
D326,748 S	6/1992	Kirk	6,076,791 A	6/2000	Rand et al.
5,228,716 A	7/1993	Dahl	6,095,348 A	8/2000	Karashima
5,249,823 A	10/1993	McCoy et al.	6,095,532 A	8/2000	Martin
5,326,117 A	7/1994	Cook	6,135,423 A	10/2000	Johnson
D352,588 S	11/1994	Orphan	6,206,385 B1	3/2001	Kern et al.
D352,589 S	11/1994	Kennedy	6,213,483 B1	4/2001	Gaffney
5,409,245 A	4/1995	Kern et al.	6,364,328 B1	4/2002	Stahler, Sr.
5,476,282 A	12/1995	Dahl	6,378,232 B1	4/2002	Creech
D366,745 S	1/1996	Kern et al.	6,394,470 B1	5/2002	Shirai
5,494,308 A	2/1996	Southerland	6,453,588 B1	9/2002	Lykens
5,536,034 A	7/1996	Miller	2002/0020989 A1	2/2002	Krawczyk
5,547,205 A	8/1996	do Rosario Sousa de Cabedo	2002/0030337 A1	3/2002	Calmeise et al.
5,548,911 A	8/1996	Myers	2002/0079660 A1	6/2002	Shiral
5,556,118 A	9/1996	Kern et al.	2002/0083628 A1	7/2002	Magid
5,599,031 A	2/1997	Hodges	2002/0117819 A1	8/2002	Calmeise et al.
5,772,236 A	6/1998	Clark	2002/0124445 A1	9/2002	Myers
5,794,953 A	8/1998	Duchene et al.	2002/0153706 A1	10/2002	Yonge et al.
5,887,879 A	3/1999	Chumley	2003/0080523 A1	5/2003	Crespo-Ortiz

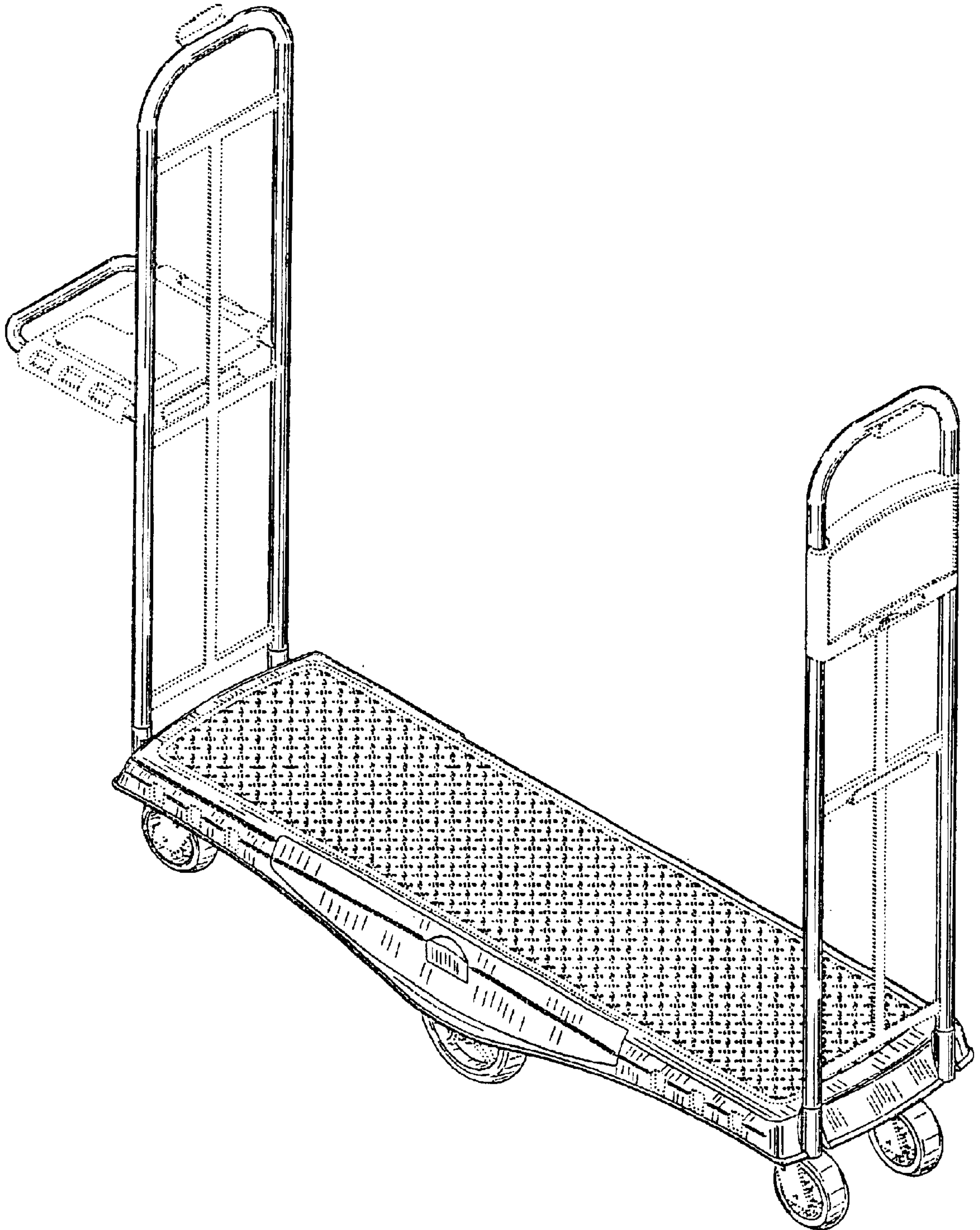


FIG. 1

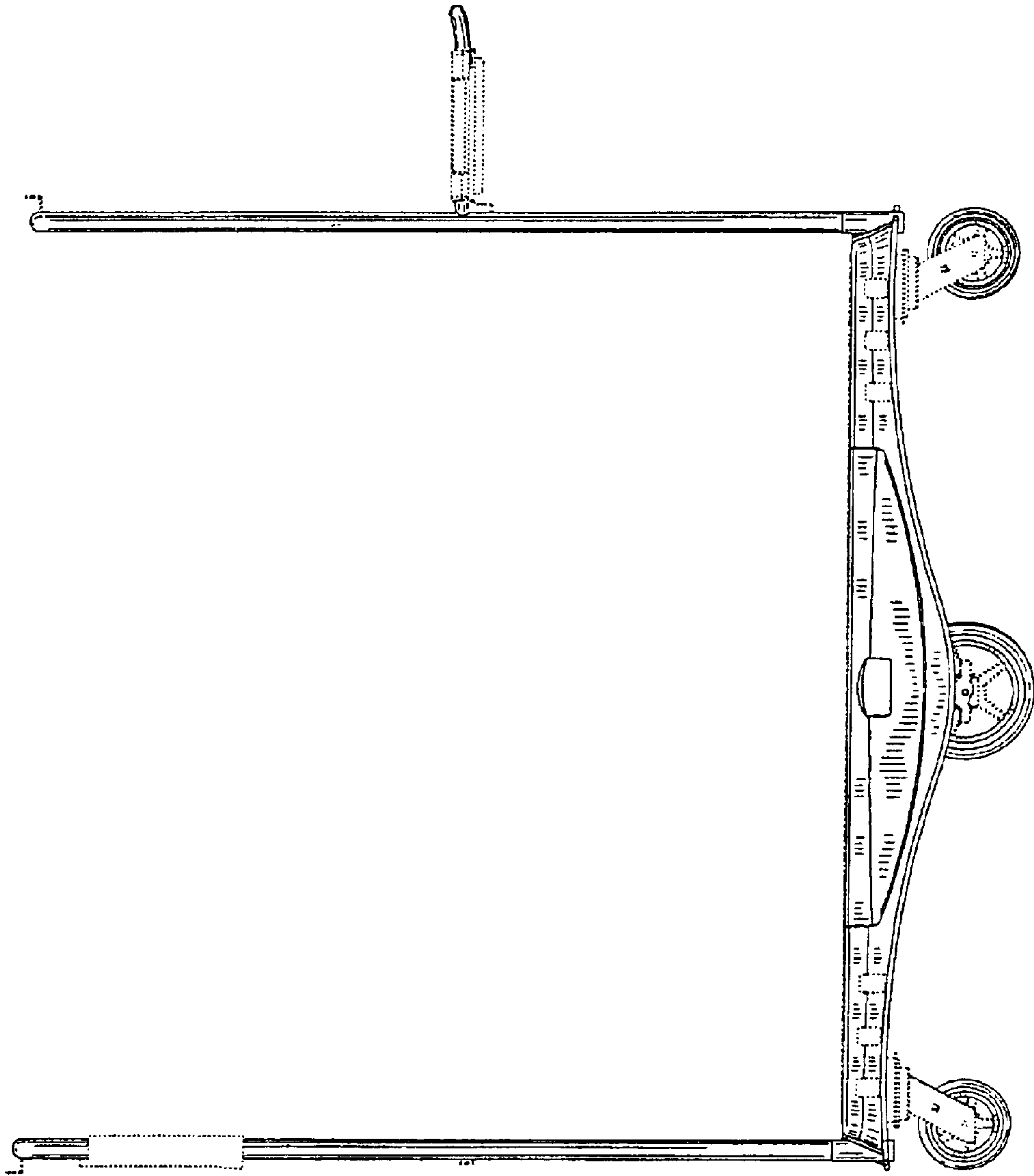


FIG. 2

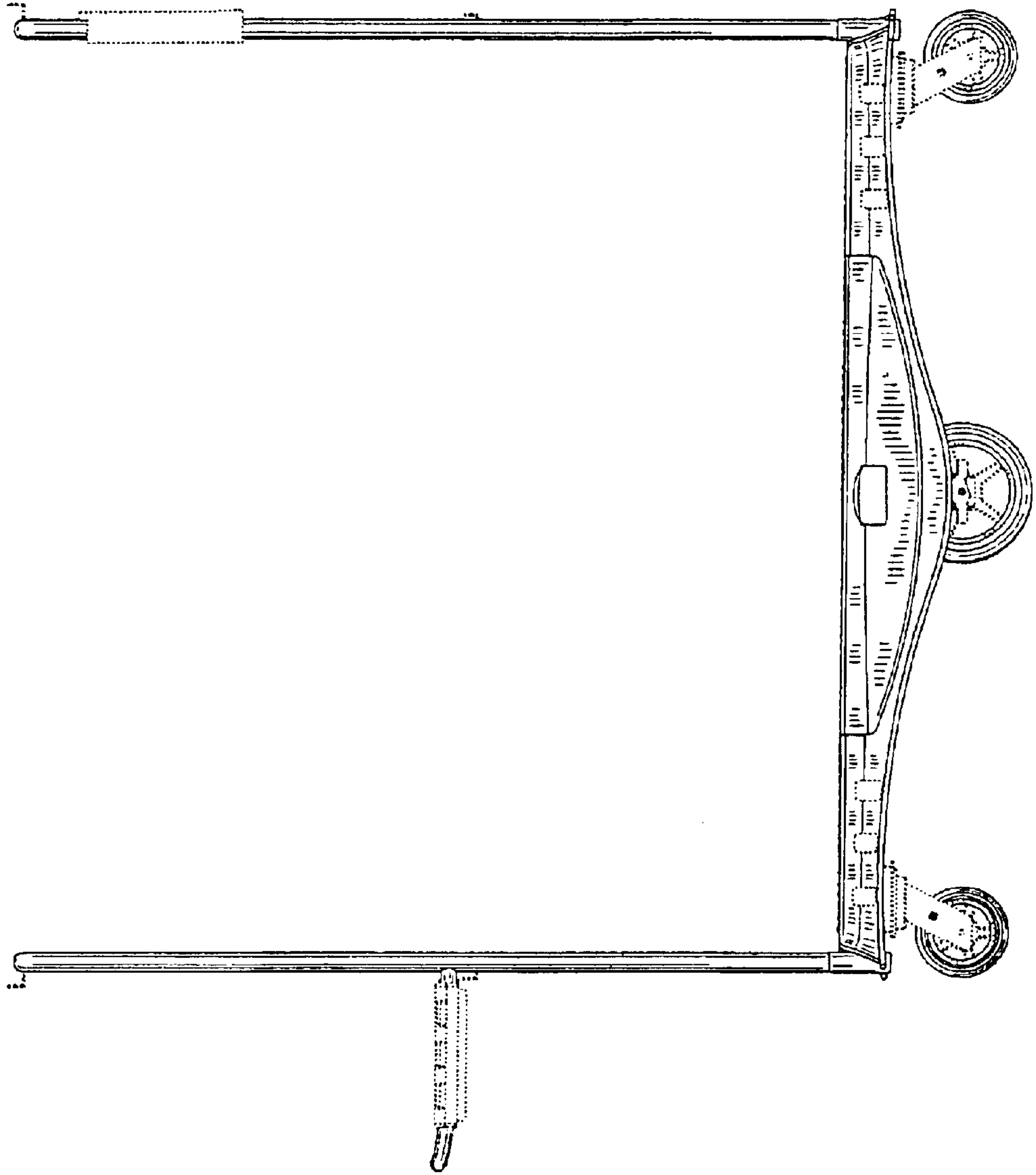


FIG. 3

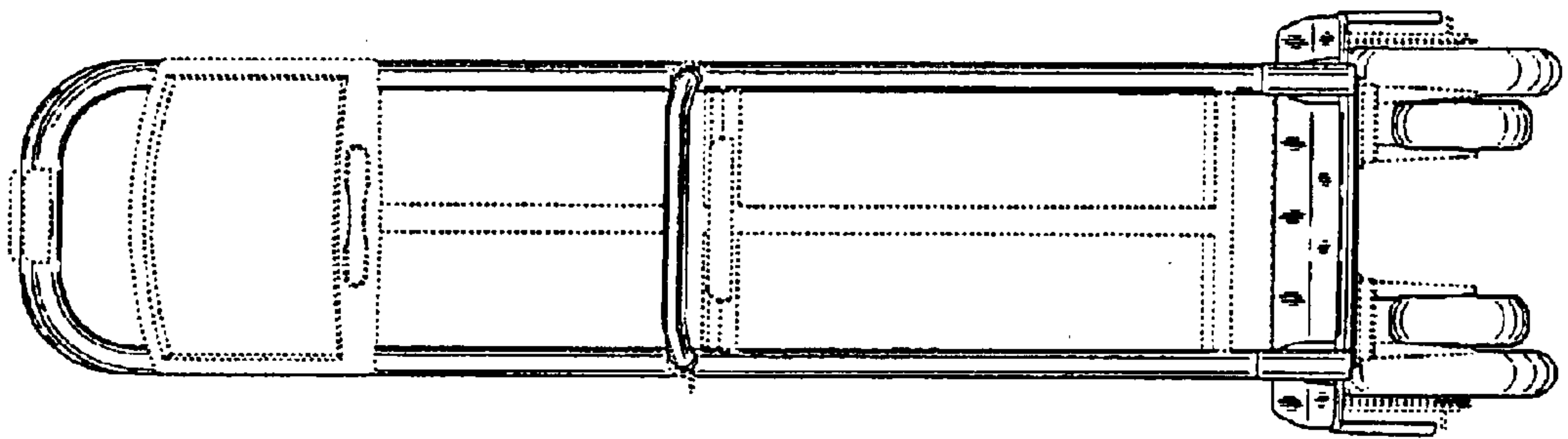


FIG. 4

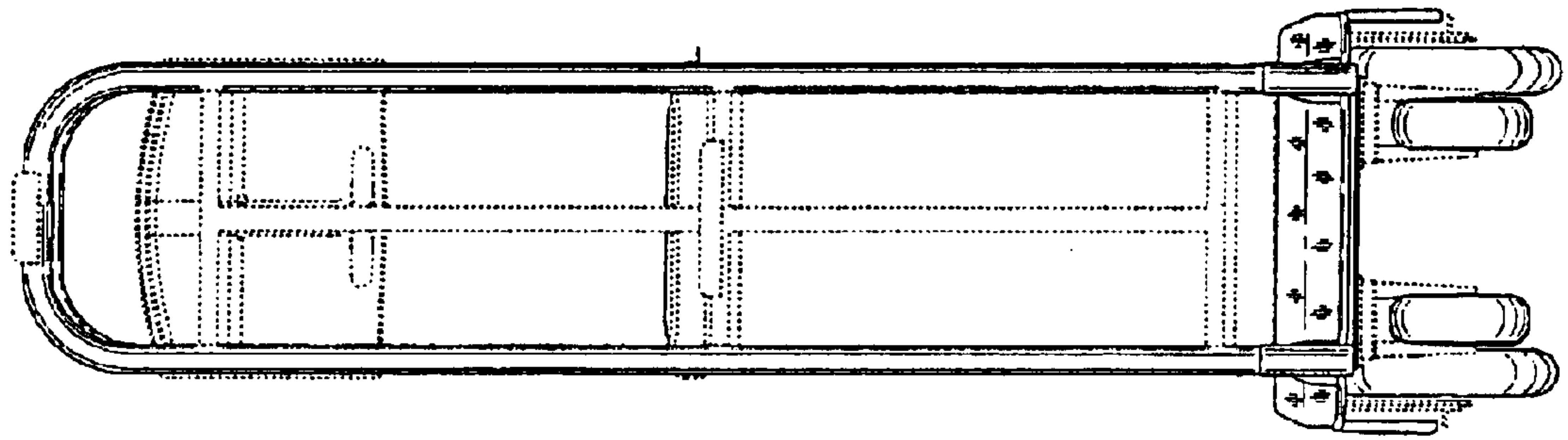


FIG. 5

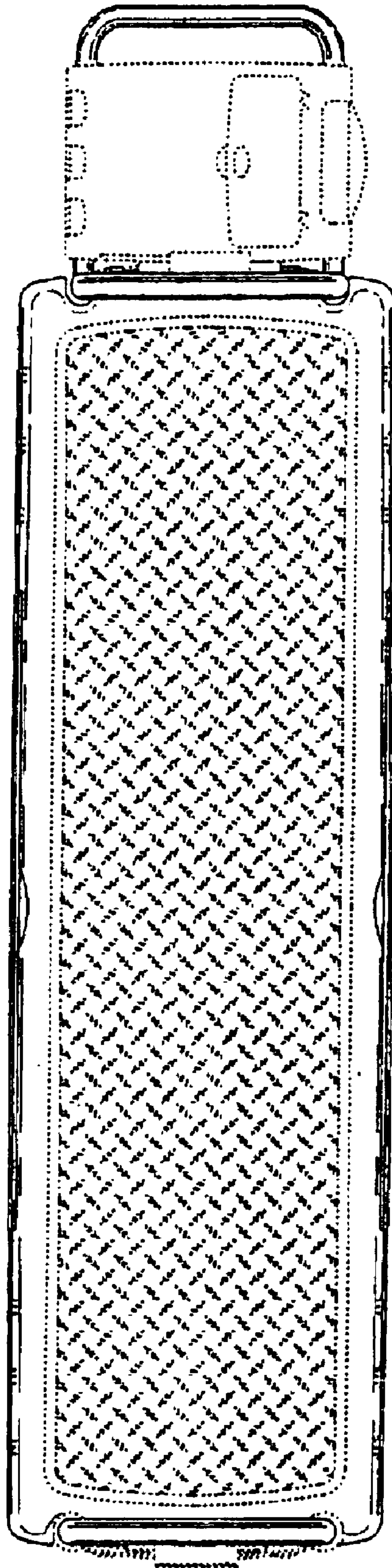


FIG. 6

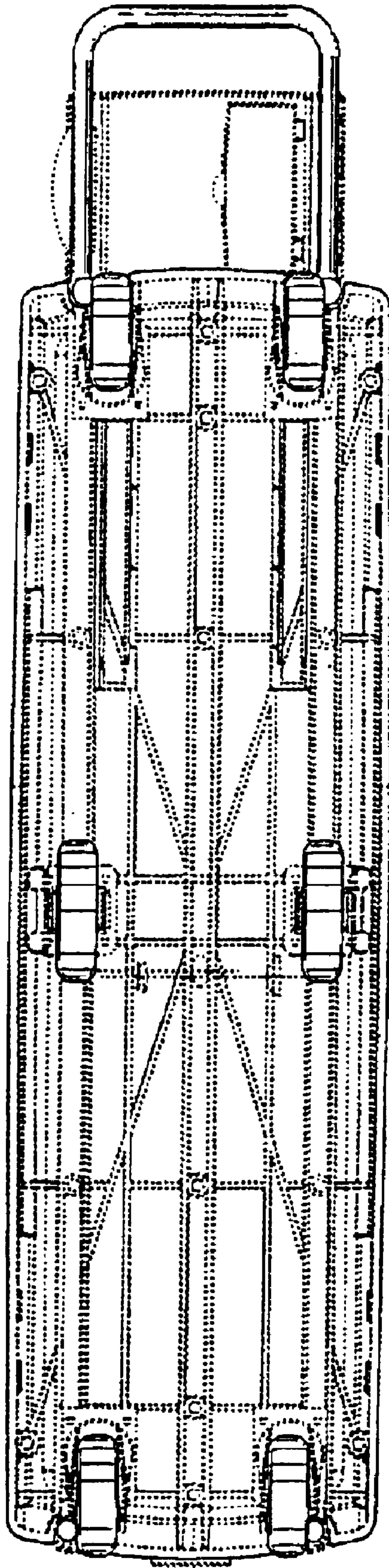


FIG. 7

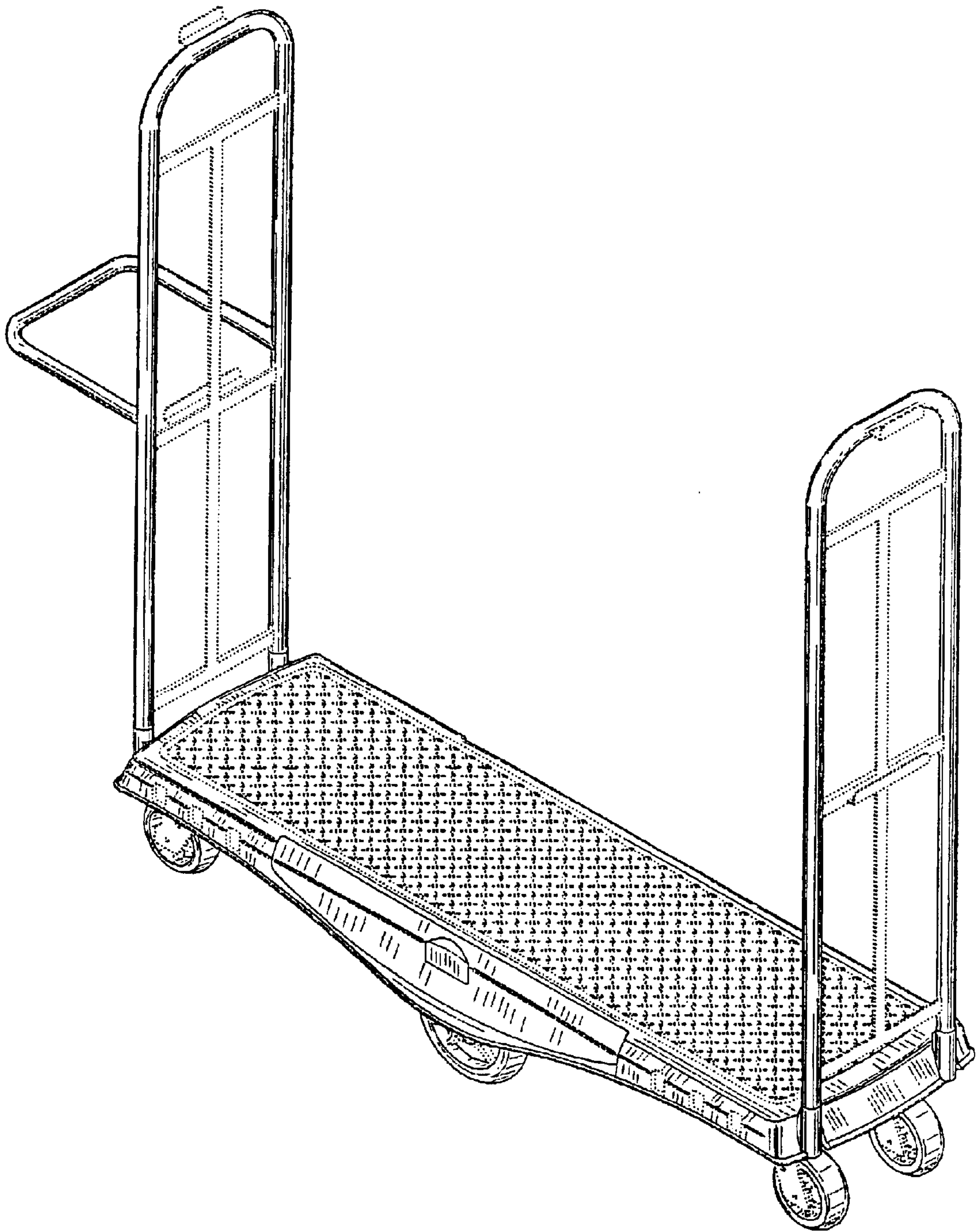


FIG. 8

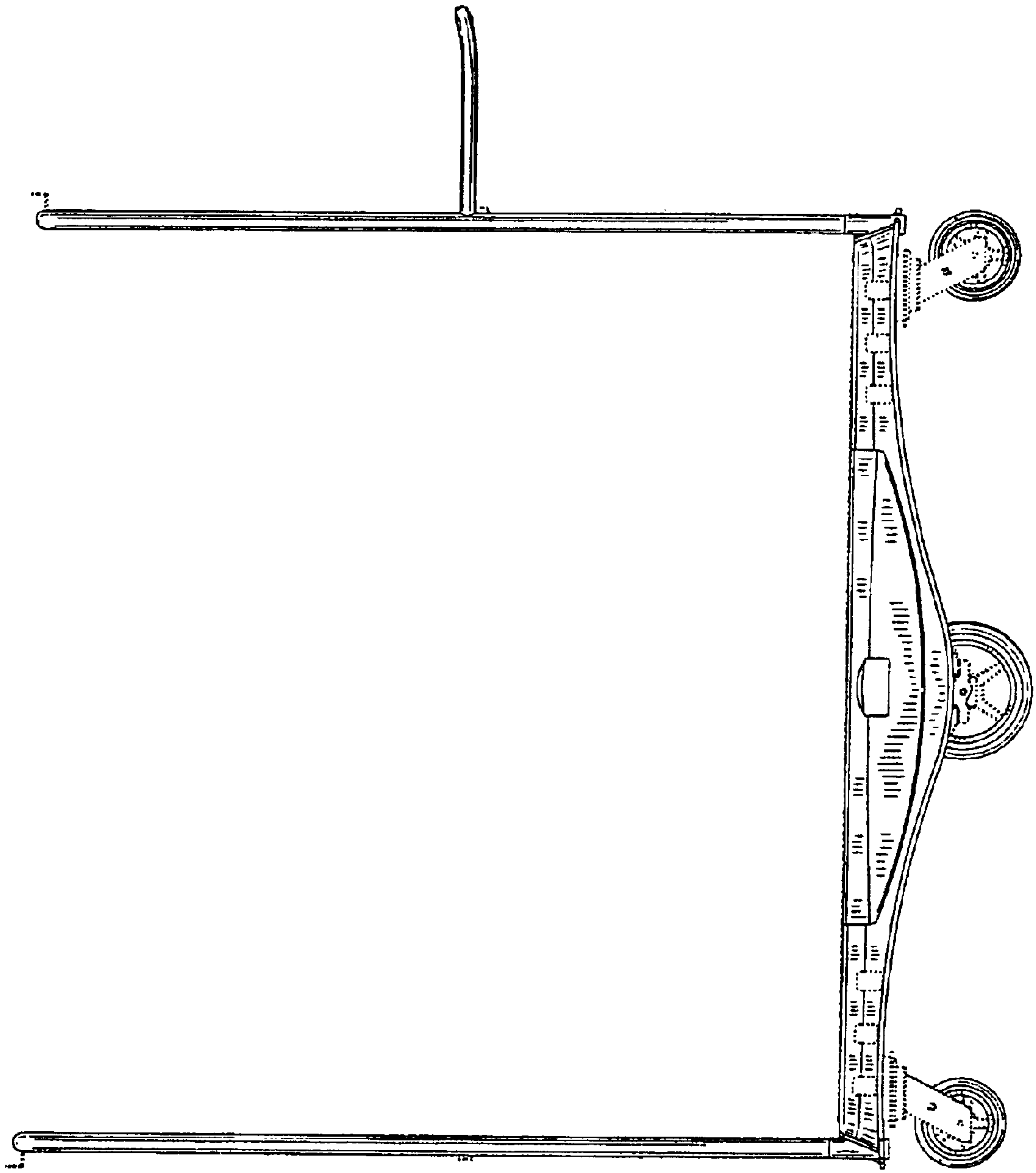


FIG. 9

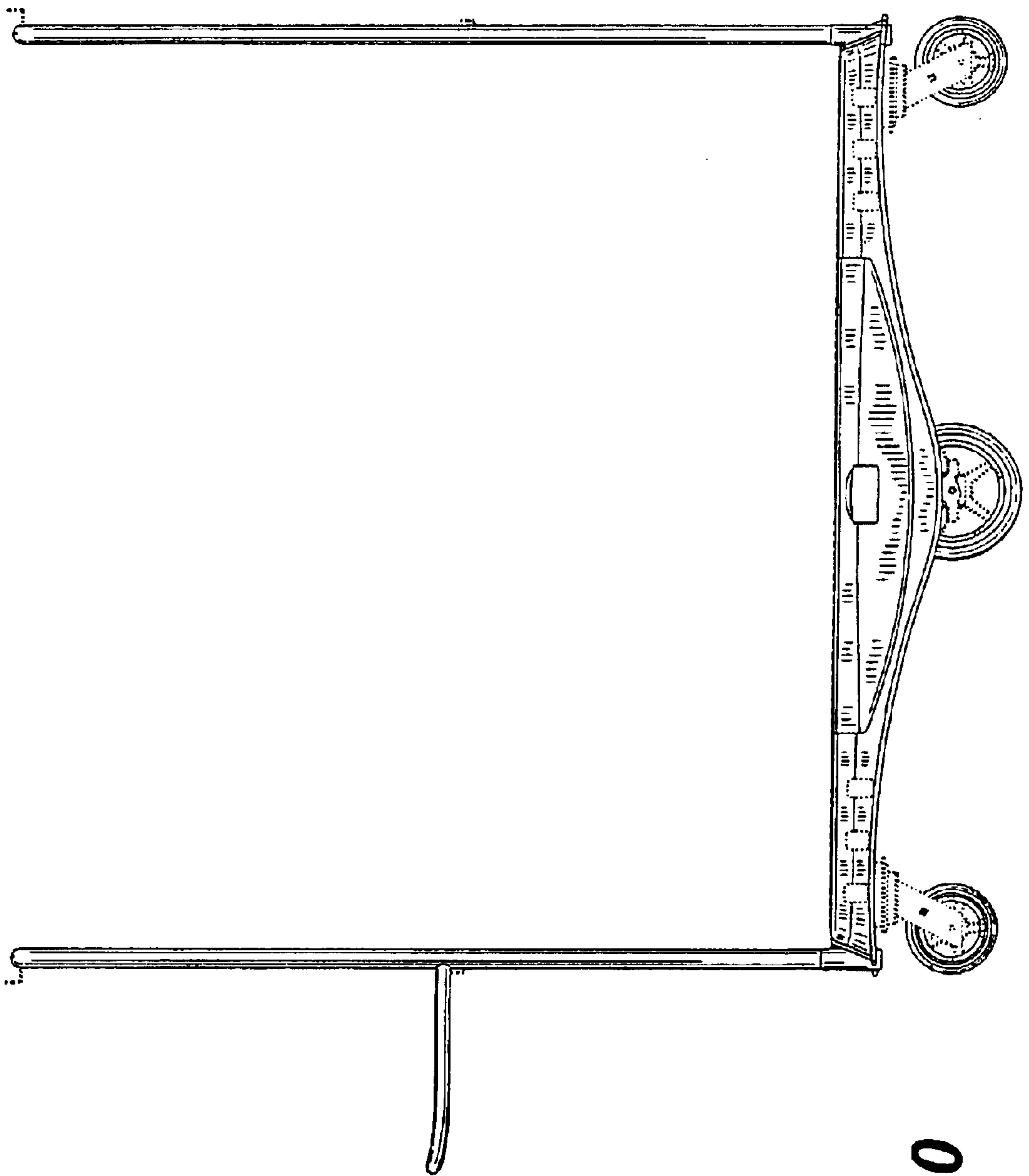


FIG. 10

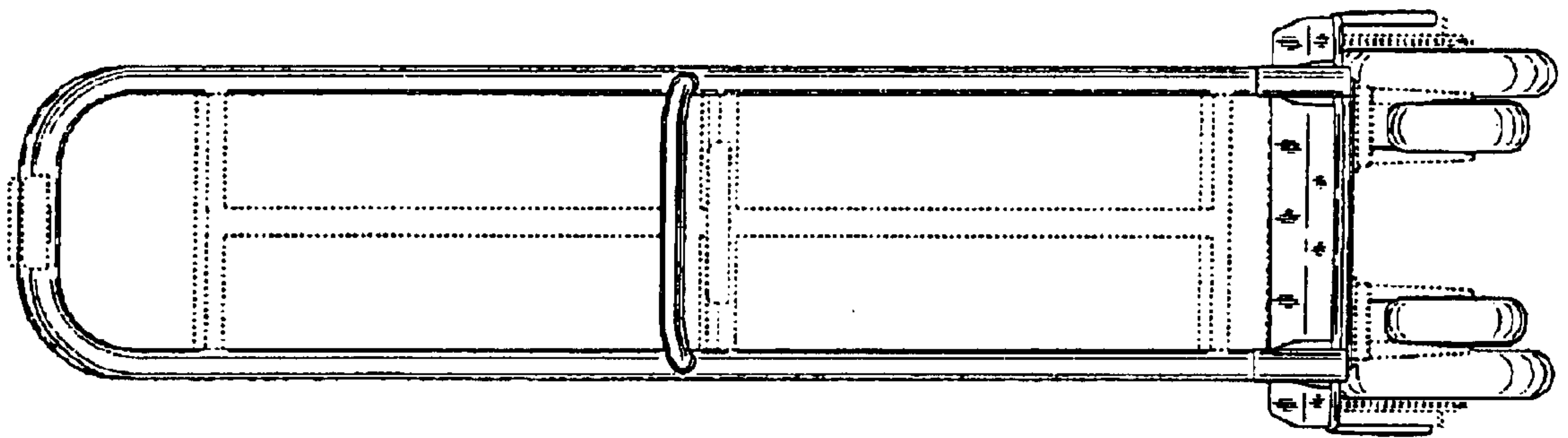


FIG. 11

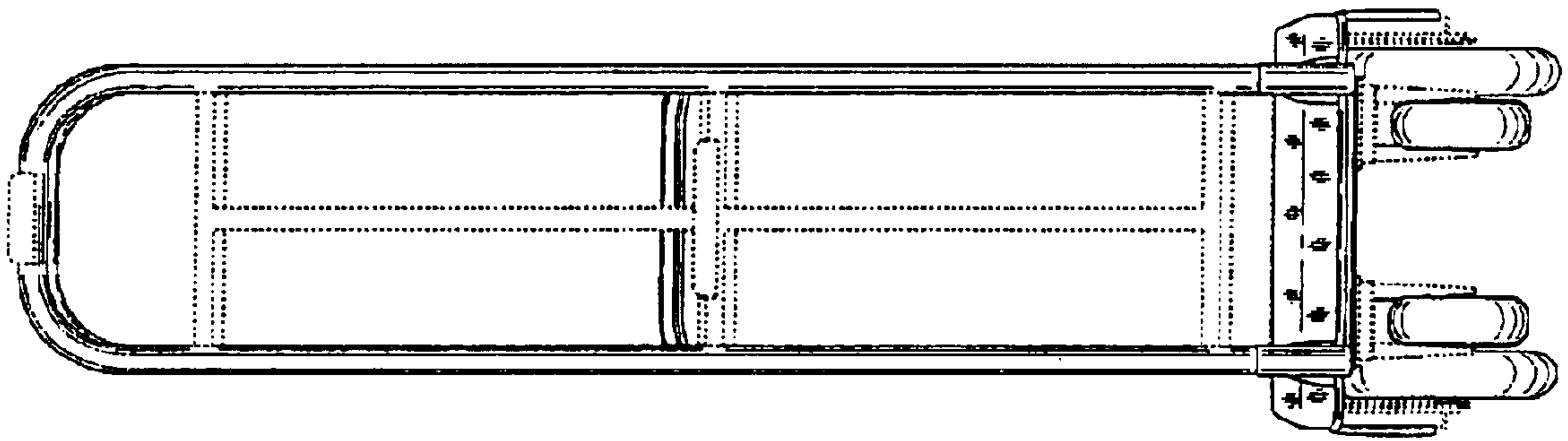


FIG. 12

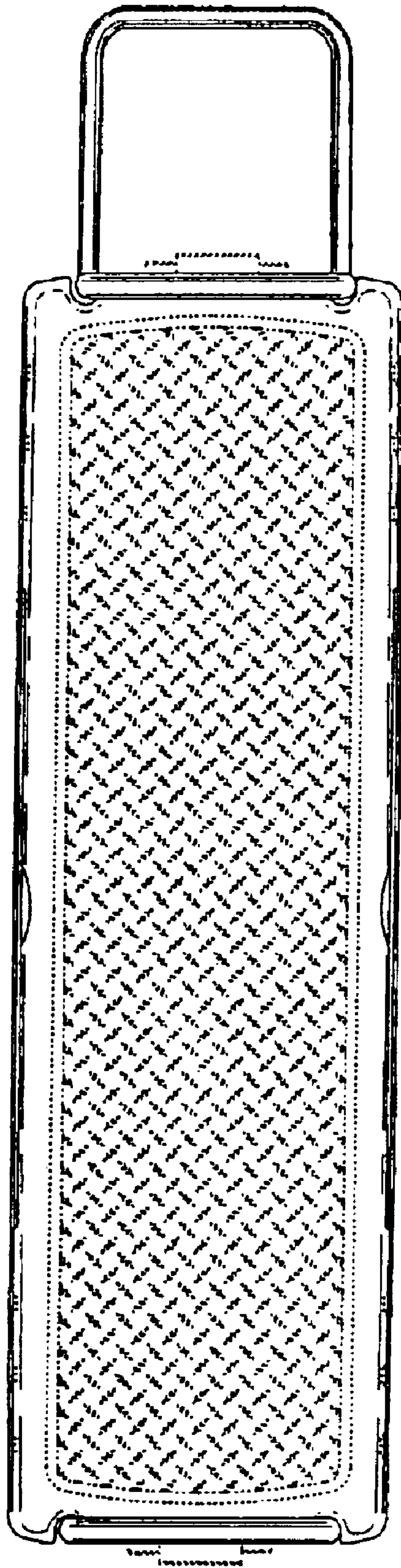


FIG. 13

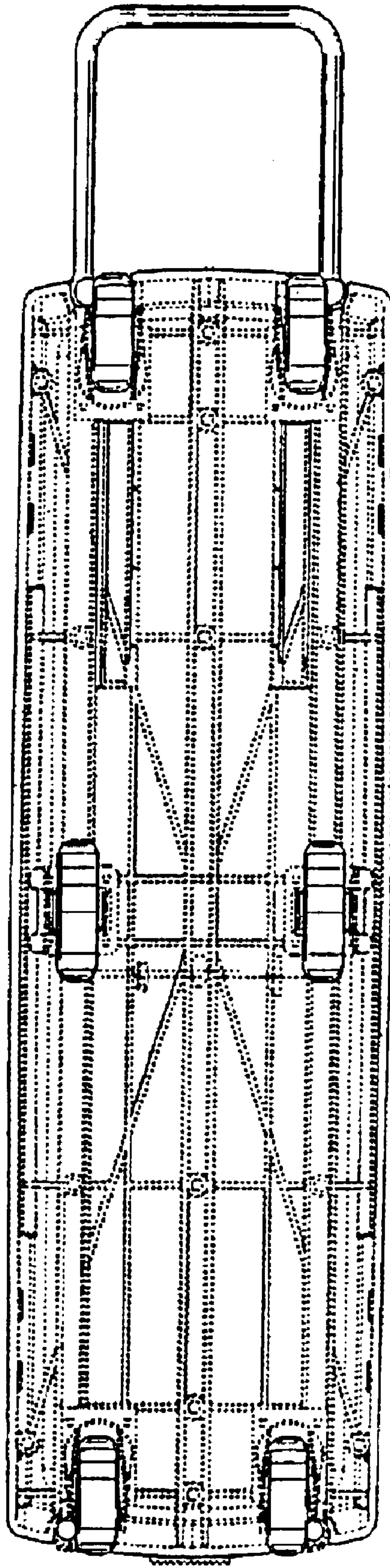


FIG. 14