



US00D490198S

(12) **United States Design Patent**
Jerstroem et al.

(10) **Patent No.:** **US D490,198 S**

(45) **Date of Patent:** **** May 18, 2004**

(54) **SLIDING DISH RACK**

(75) Inventors: **Goeran Jerstroem**, New York, NY (US); **Boris Kontrovich**, Brooklyn, NY (US); **Alec Drummond**, Brooklyn, NY (US); **Sally Bernadine Rumble**, New York, NY (US); **Arsenio Garcia Monsalve**, New York, NY (US)

(73) Assignee: **WKI Holding Company, Inc.**, Reston, VA (US)

(**) Term: **14 Years**

(21) Appl. No.: **29/169,138**

(22) Filed: **Oct. 15, 2002**

(51) **LOC (7) Cl.** **07-05**

(52) **U.S. Cl.** **D32/55**

(58) **Field of Search** D32/3, 6, 25, 55;
68/152-156; 4/646; 211/41.3, 41.8, 41.9;
220/487, 488; 206/557, 561, 565, 509,
512-513, 821

(56) **References Cited**

U.S. PATENT DOCUMENTS

253,461 A	2/1882	Wold	
378,692 A	2/1888	Latham	
D29,186 S	* 8/1898	Rakestraw D32/25
946,977 A	1/1910	Muller	
1,006,328 A	10/1911	Widenhofer	
1,522,921 A	1/1925	Smiley	
1,835,232 A	12/1931	Lord	
1,997,451 A	4/1935	Burkle	
2,479,118 A	8/1949	Jenness	
2,516,088 A	7/1950	Einhorn	
2,777,488 A	1/1957	Gilbert et al.	
3,025,967 A	3/1962	Christophersen	
3,146,815 A	9/1964	Cirese	
3,168,193 A	* 2/1965	Schechter 206/509 X
3,182,854 A	* 5/1965	Geller D32/3 X
3,730,354 A	5/1973	Bronstein	
3,800,957 A	4/1974	Krause	
3,934,728 A	1/1976	Guth	

3,952,875 A	4/1976	Lombardo	
3,961,707 A	* 6/1976	Lehr et al. 206/512 X
4,046,261 A	9/1977	Yake	
4,169,638 A	10/1979	Cirasuolo et al.	
4,212,400 A	7/1980	Buchsteiner	
4,221,299 A	9/1980	Taylor	
4,238,035 A	12/1980	Kasanchuk	
4,328,899 A	5/1982	Krusche	
4,606,464 A	8/1986	Jordan et al.	
D293,021 S	* 12/1987	McCartney D32/6

(List continued on next page.)

Primary Examiner—Louis S. Zarfaz
Assistant Examiner—Robert A. Delehanty
(74) *Attorney, Agent, or Firm*—Seyfarth Shaw

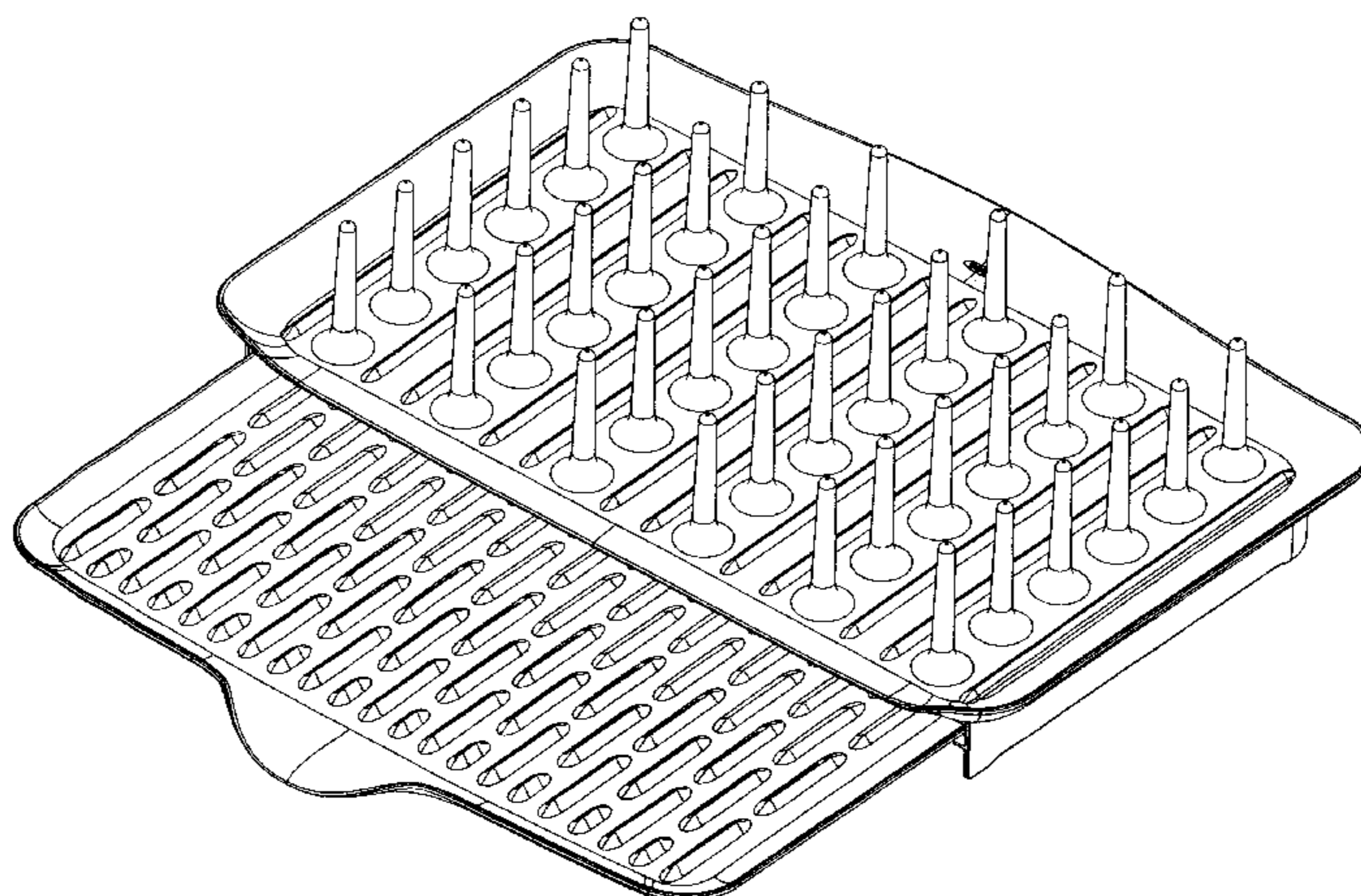
(57) **CLAIM**

The ornamental design for the sliding dish rack, as shown and described.

DESCRIPTION

FIG. 1 is a perspective view of the sliding dish rack in the open position;
FIG. 2 is a top plan view of the sliding dish rack in the open position;
FIG. 3 is a bottom plan view of the sliding dish rack in the open position;
FIG. 4 is a side elevational view of the sliding dish rack in the open position;
FIG. 5 is a perspective view of the sliding dish rack in the closed position;
FIG. 6 is a top plan view of the sliding dish rack in the closed position;
FIG. 7 is a bottom plan view of the sliding dish rack in the closed position;
FIG. 8 is a side elevational view of the sliding dish rack in the closed position;
FIG. 9 is a back view of the sliding dish rack in the open or closed position; and,
FIG. 10 is a front elevation view of the sliding dish rack in the open or closed position.

1 Claim, 10 Drawing Sheets



US D490,198 S

Page 2

U.S. PATENT DOCUMENTS			
4,726,475 A	2/1988	Ferenzi	
4,854,537 A	8/1989	Welch	
4,917,248 A	4/1990	Friskney	
5,109,990 A	5/1992	Murphy et al.	
5,492,237 A	2/1996	Chang	
5,641,137 A	6/1997	Collier	
5,649,630 A	7/1997	Remmler	
D398,725 S *	9/1998	Merkel	D32/55
5,913,348 A	6/1999	Horton	
5,943,786 A *	8/1999	Stahley	211/41.3 X
			* cited by examiner
		6,021,906 A	2/2000 Heien
		6,038,784 A	3/2000 Dunn et al.
		6,070,594 A	6/2000 Mears
		D429,863 S	8/2000 Lenney
		6,125,548 A	10/2000 Dunn et al.
		6,170,676 B1	1/2001 Patadia et al.
		6,179,134 B1	1/2001 Pine et al.
		D439,716 S	3/2001 Wright
		6,272,827 B1	8/2001 Hsu
		D465,891 S *	11/2002 Brown
			D32/55

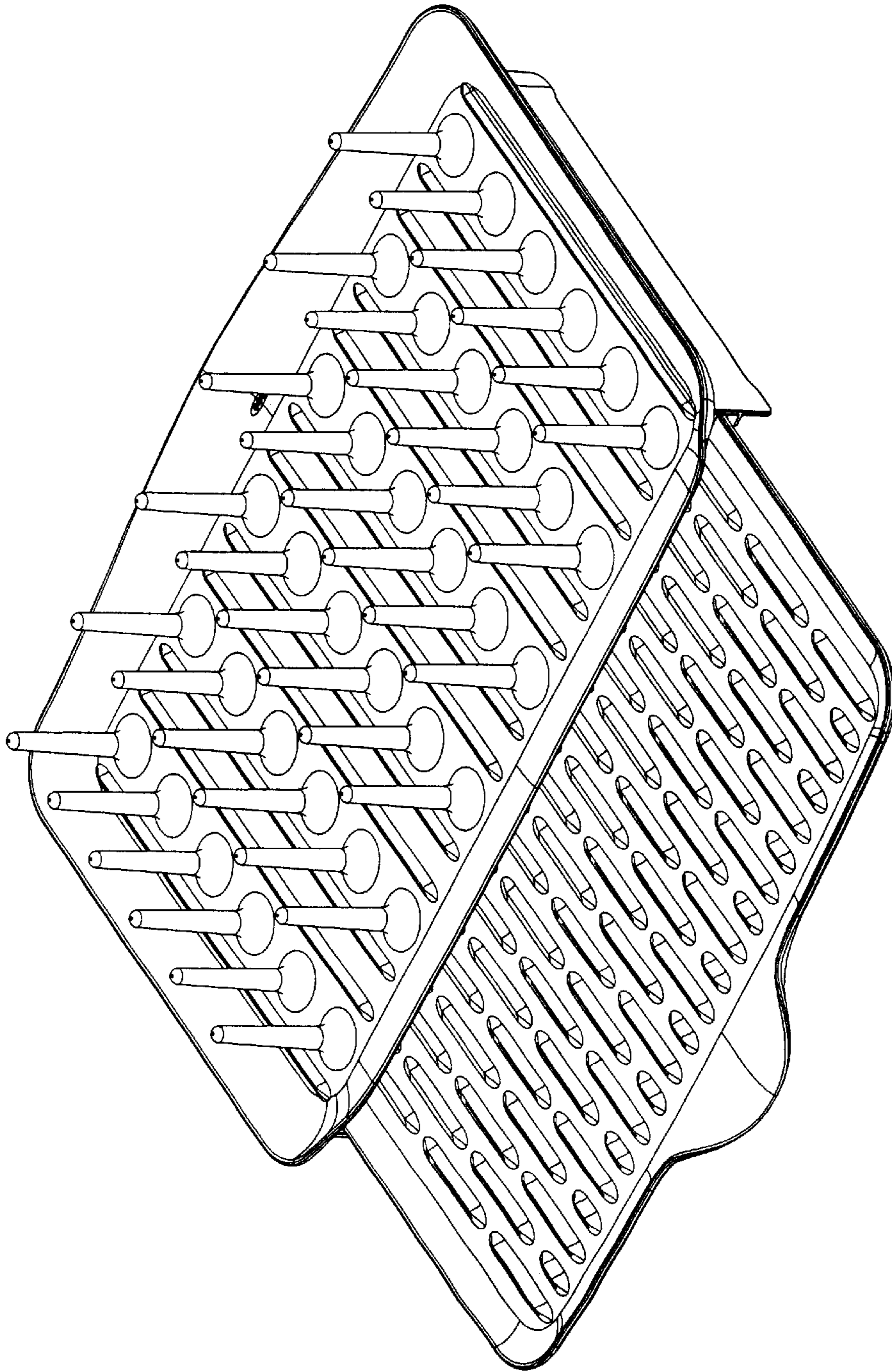


FIG. 1

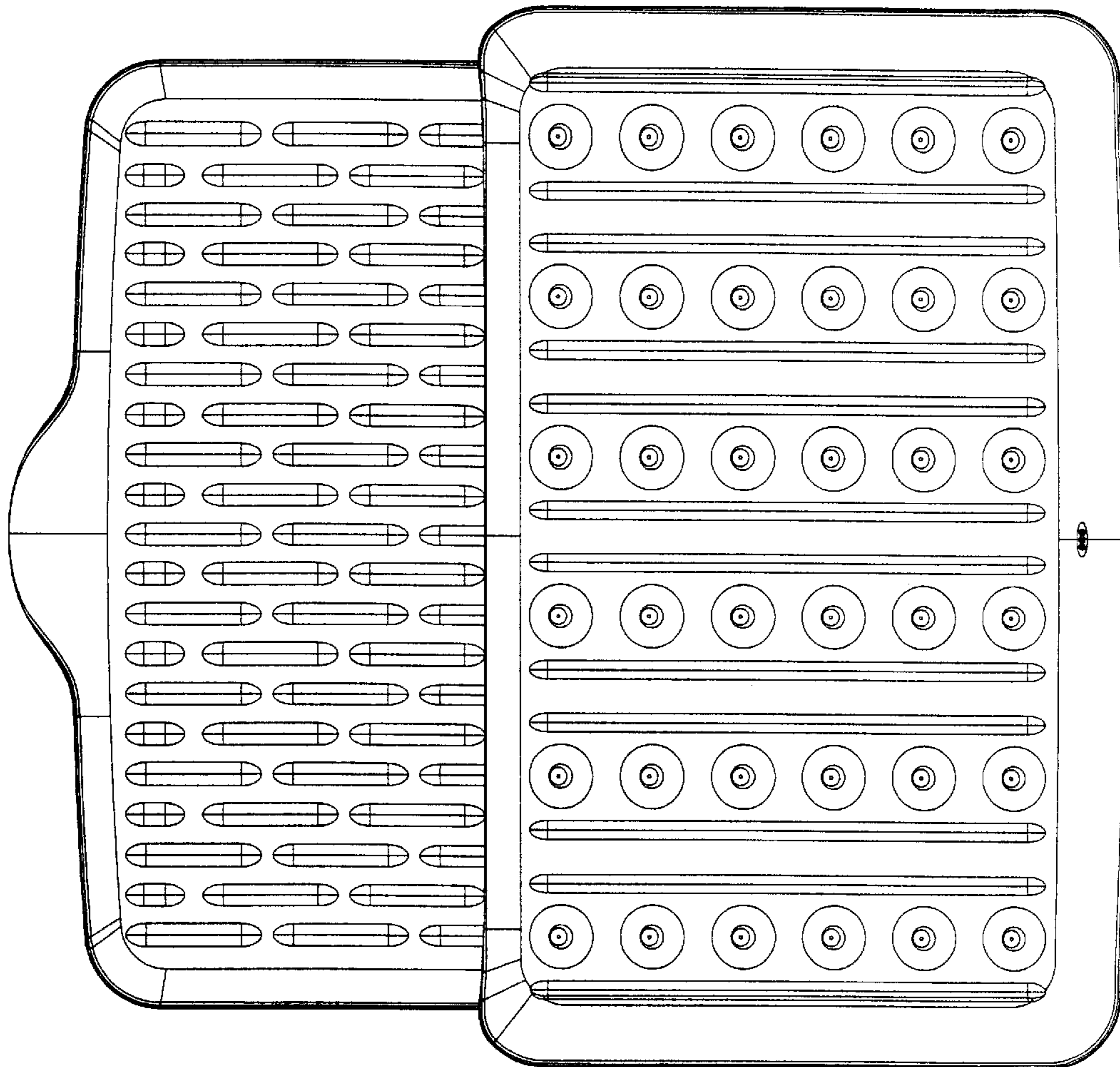


FIG. 2

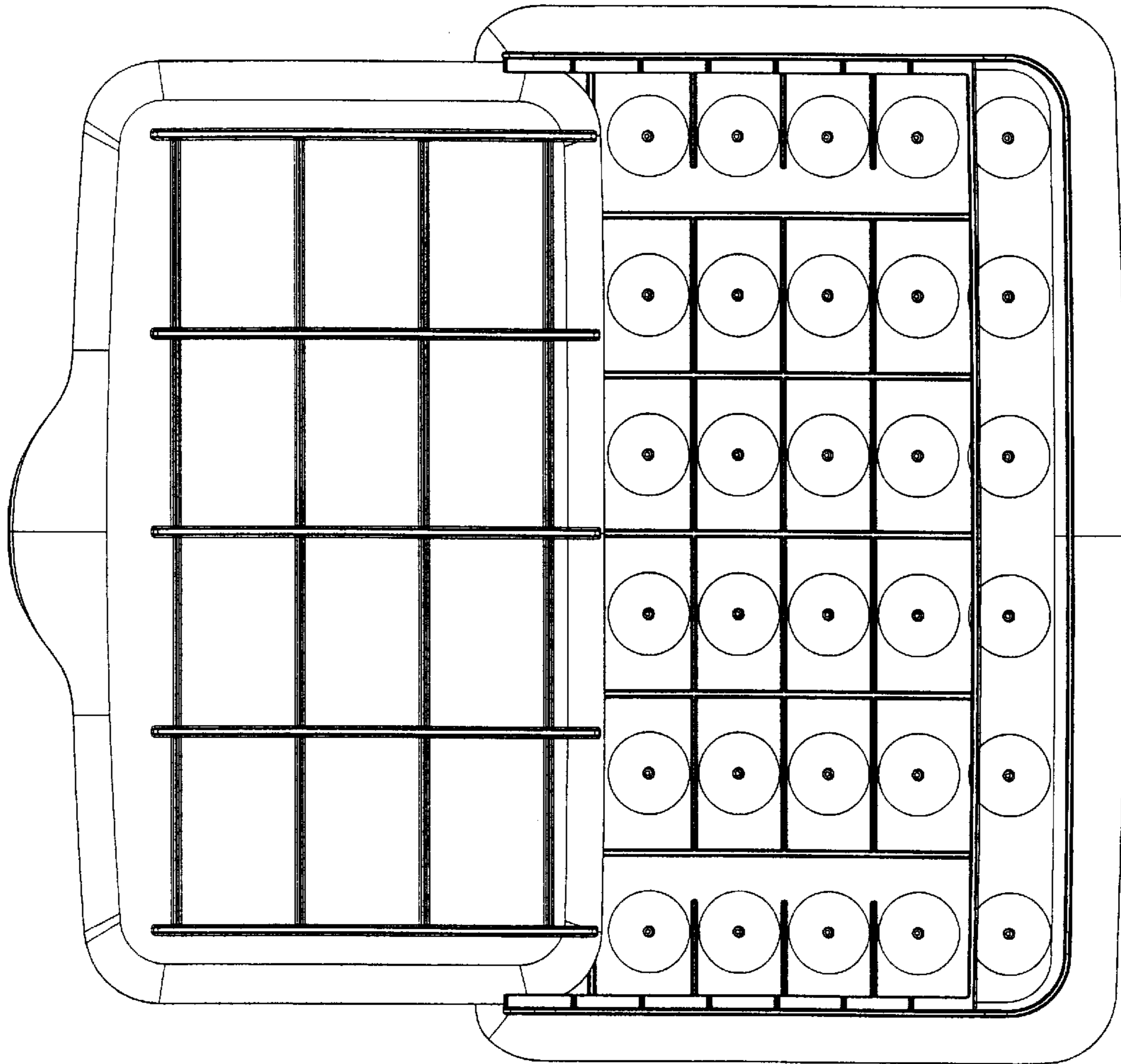


FIG. 3

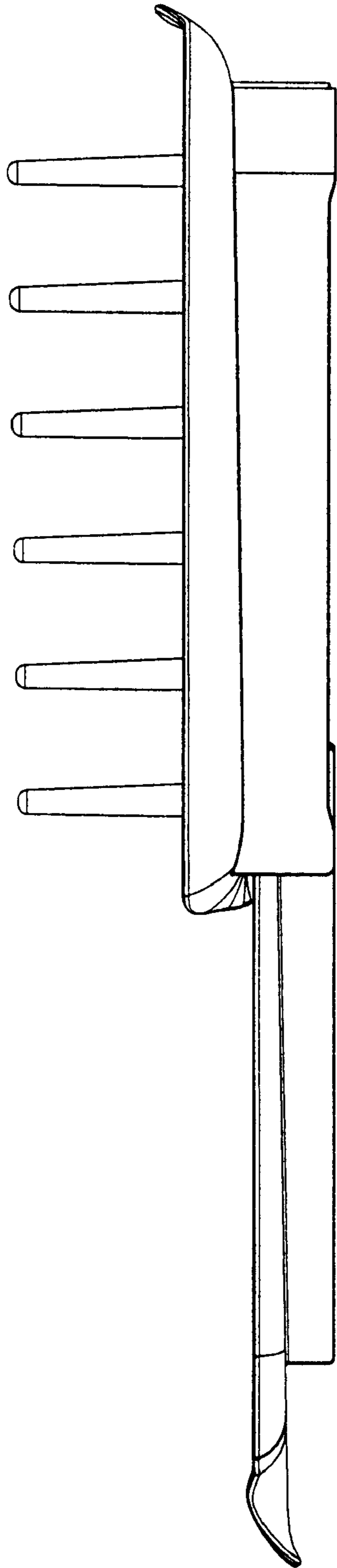


FIG. 4

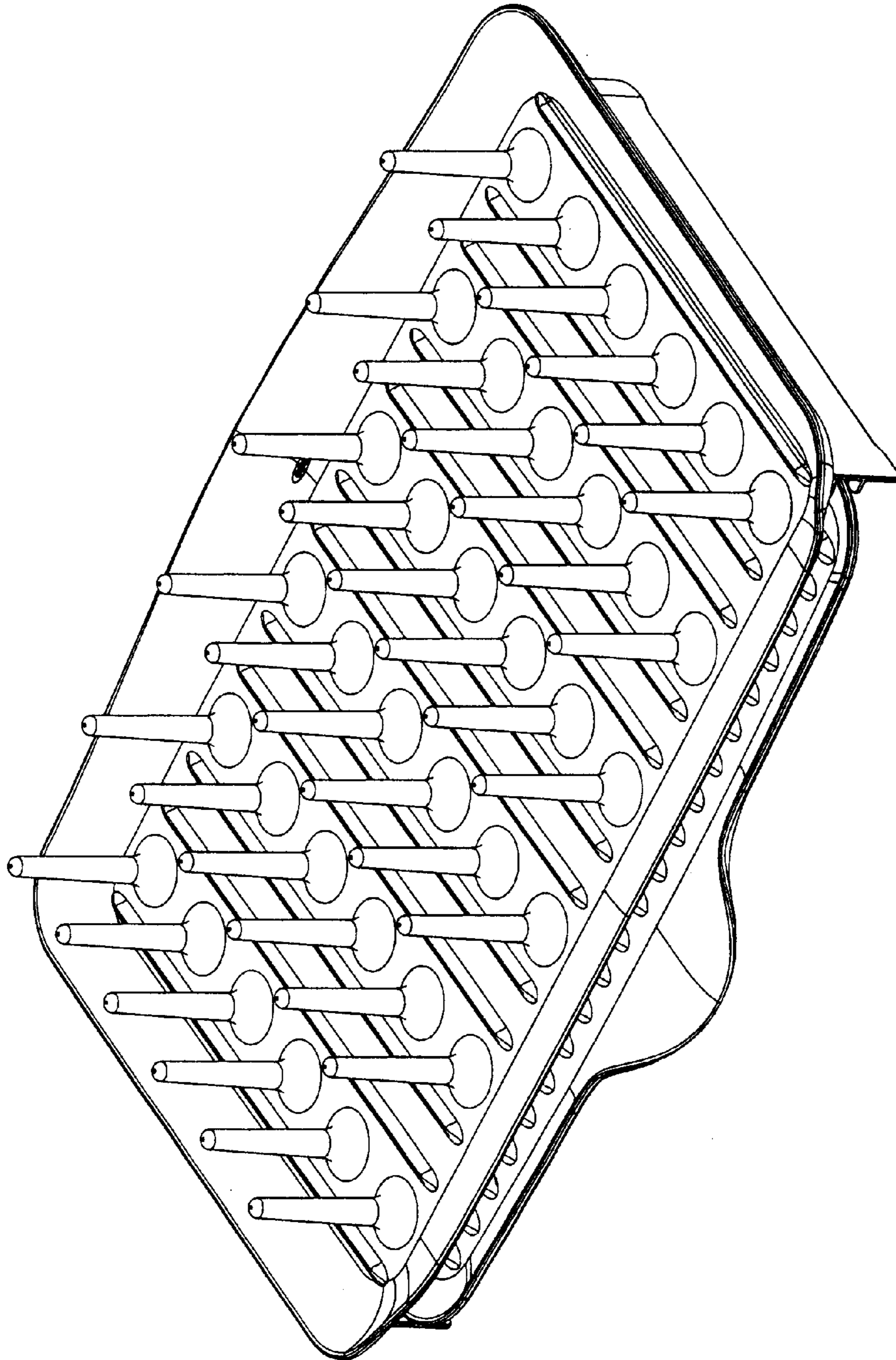


FIG. 5

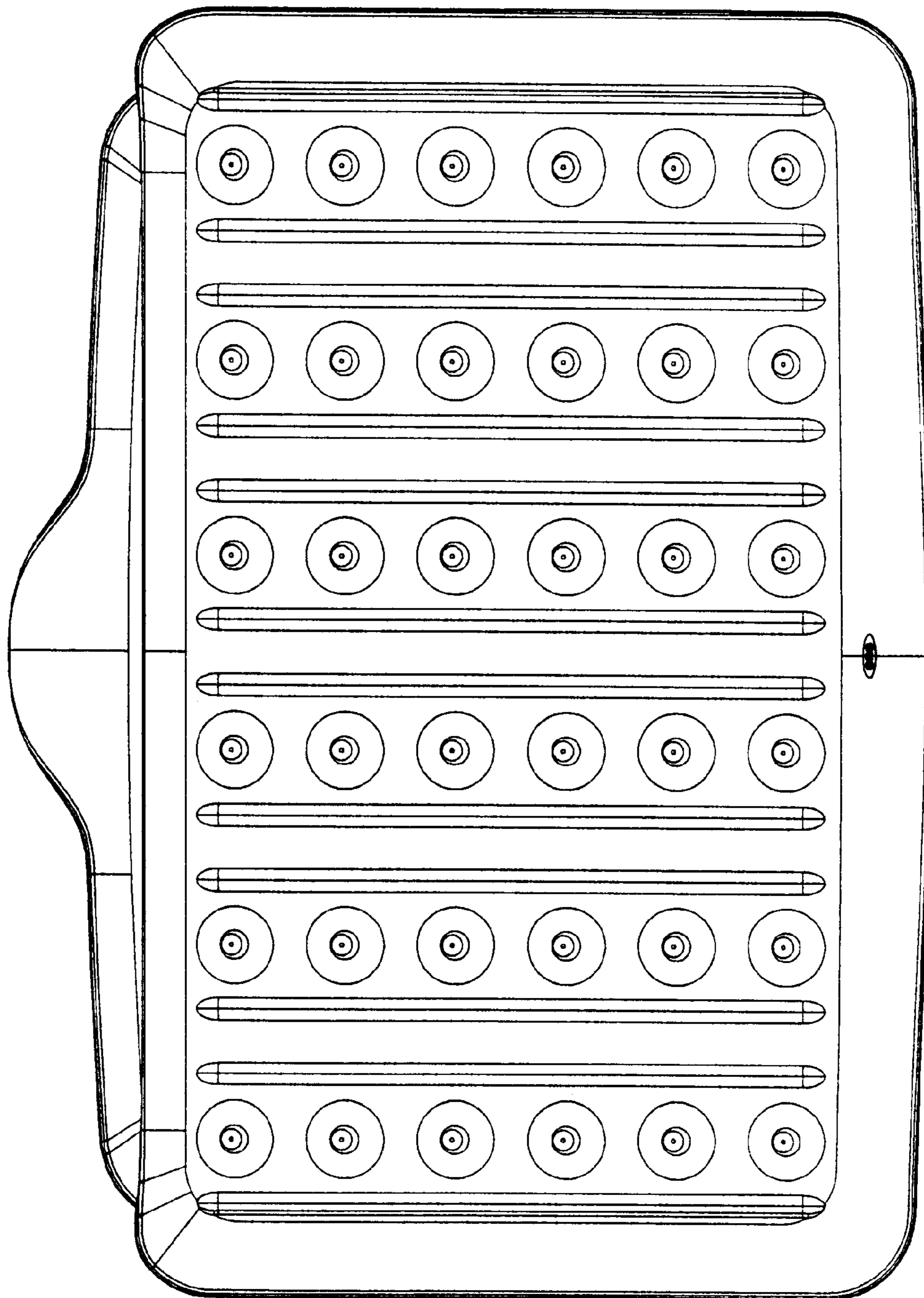


FIG. 6

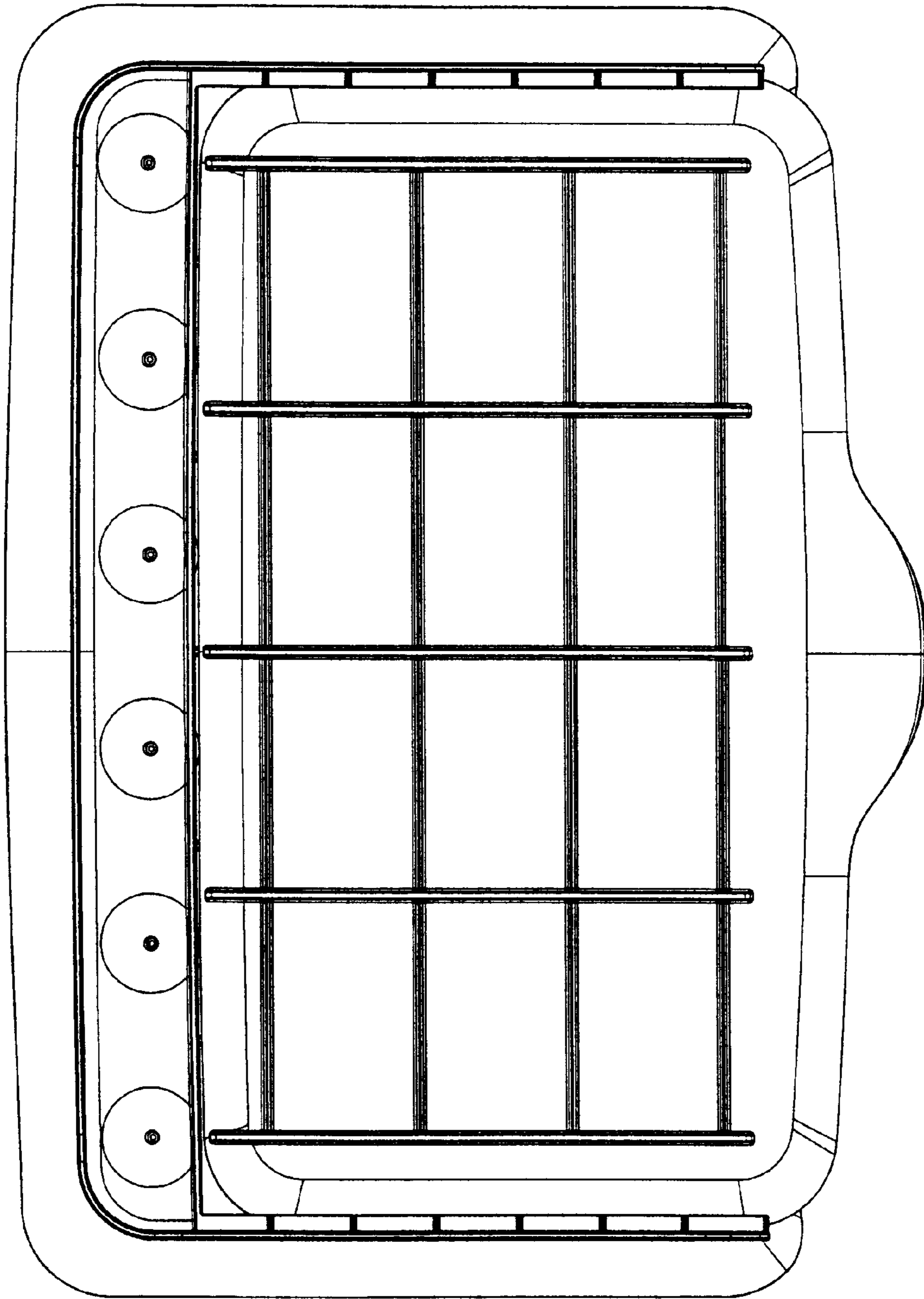


FIG. 7

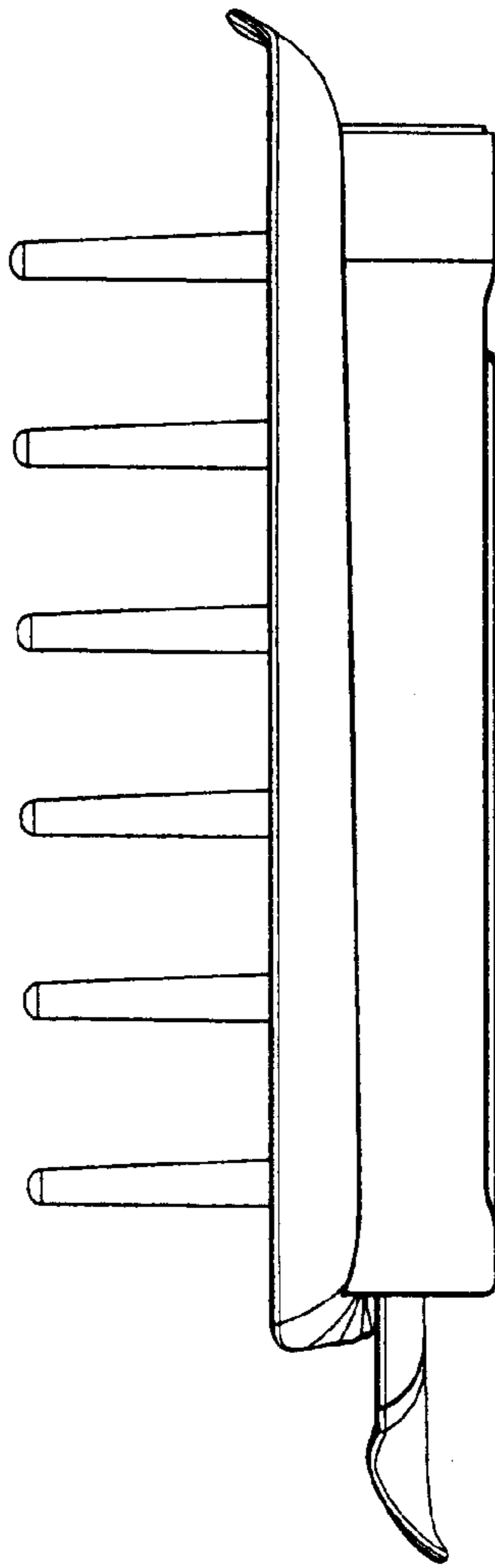


FIG. 8

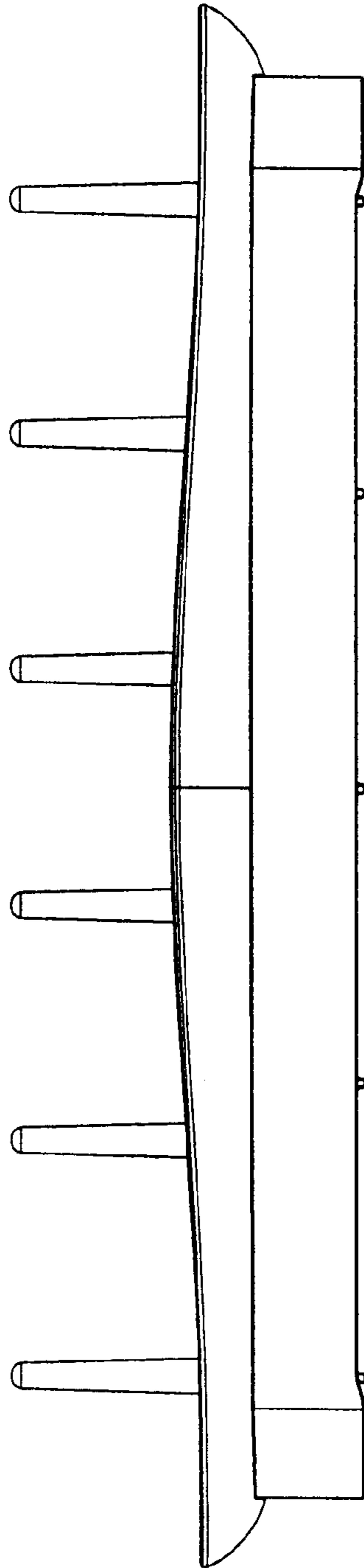


FIG. 9

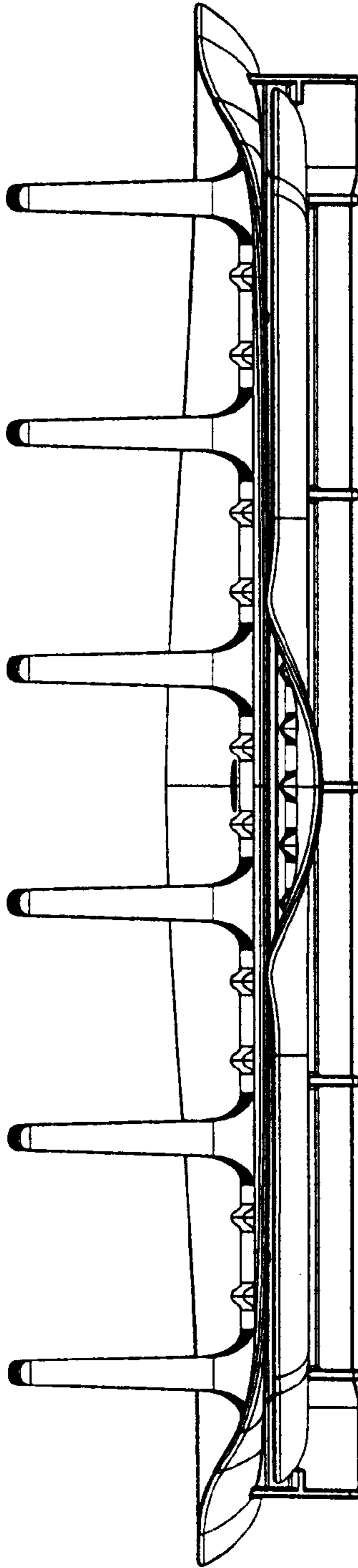


FIG. 10

UNITED STATES PATENT AND TRADEMARK OFFICE
CERTIFICATE OF CORRECTION

PATENT NO. : D 490,198 S
DATED : May 18, 2004
INVENTOR(S) : Jerstroem et al.

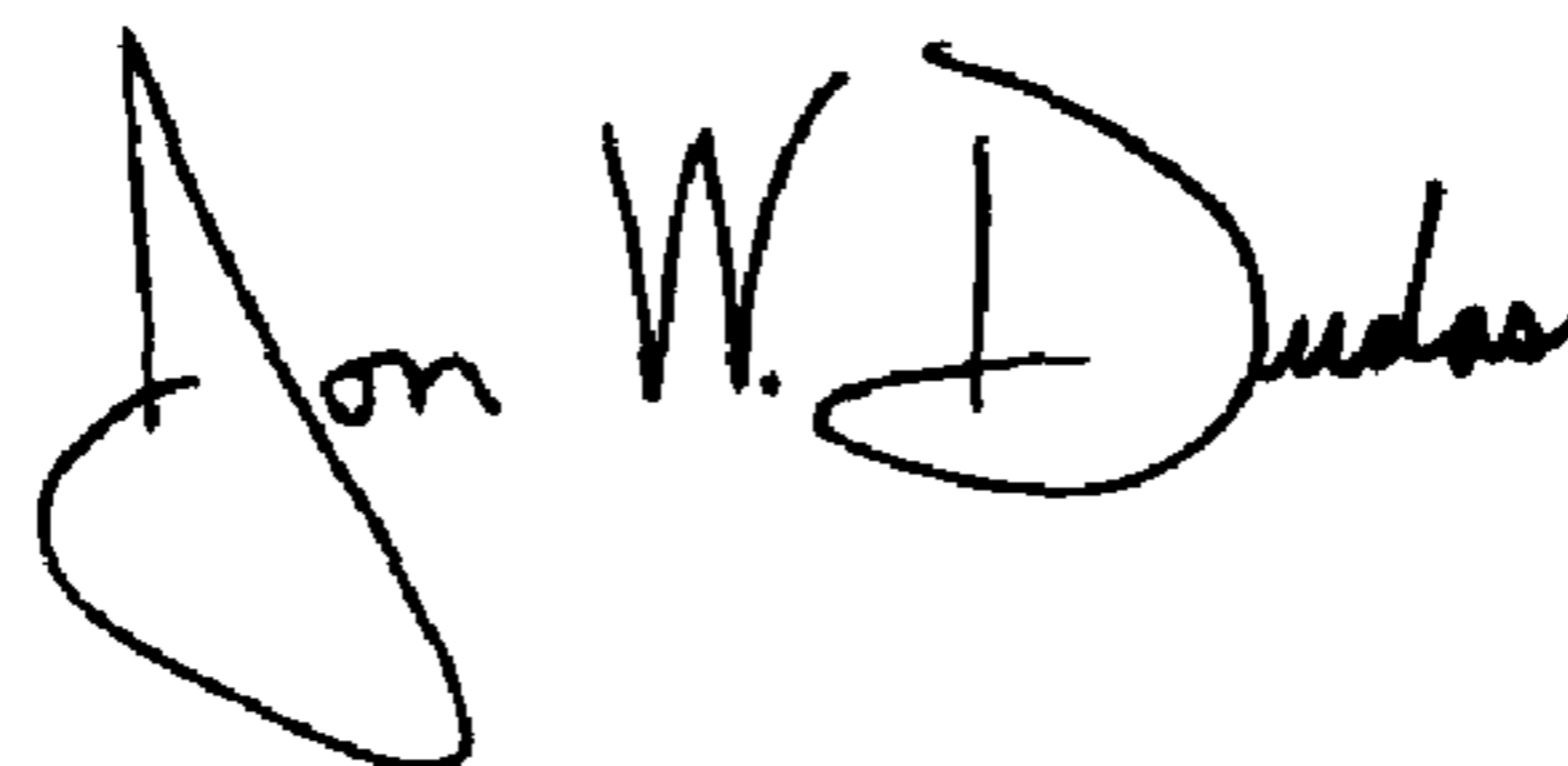
Page 1 of 1

It is certified that error appears in the above-identified patent and that said Letters Patent is hereby corrected as shown below:

Title page,
Item [56], **References Cited,**

Signed and Sealed this

Tenth Day of August, 2004

A handwritten signature in black ink that reads "Jon W. Dudas". The signature is written in a cursive style with a large, stylized initial "J".

JON W. DUDAS
Acting Director of the United States Patent and Trademark Office

UNITED STATES PATENT AND TRADEMARK OFFICE
CERTIFICATE OF CORRECTION

PATENT NO. : Des. 490,198 S
DATED : May 18, 2004
INVENTOR(S) : Jerstroem et al.

Page 1 of 1

It is certified that error appears in the above-identified patent and that said Letters Patent is hereby corrected as shown below:

Title page,

Item [56], **References Cited**, insert


-- Other Prior Art: Photocopy of Munchkin Bottle Drying Rack (admitted prior art)

Photocopy of Magis rack (admitted prior art) --.

This certificate supersedes Certificate of Correction issued August 10, 2004.

Signed and Sealed this

Eleventh Day of April, 2006

A handwritten signature in black ink on a light gray dotted background. The signature reads "Jon W. Dudas" in a cursive style.

JON W. DUDAS

Director of the United States Patent and Trademark Office