



US00D490196S

(12) **United States Design Patent**  
**Lanfredi**

(10) **Patent No.:** **US D490,196 S**

(45) **Date of Patent:** **\*\* May 18, 2004**

(54) **HIGH PRESSURE CLEANER**

(75) Inventor: **Giancarlo Lanfredi**, Suzzara (IT)

(73) Assignee: **Lavorwash S.p.A.**, Suzzara (IT)

(\*\*) Term: **14 Years**

(21) Appl. No.: **29/180,828**

(22) Filed: **May 1, 2003**

(51) **LOC (7) Cl.** ..... **15-05**

(52) **U.S. Cl.** ..... **D32/15**

(58) **Field of Search** ..... D32/1, 15, 21-22,  
D32/25, 31; 15/3, 323, 403; 134/103.2,  
199, 200, 201; 239/146-158

(56) **References Cited**

**U.S. PATENT DOCUMENTS**

- D368,993 S \* 4/1996 Stutzer et al. .... D32/21
- 5,524,321 A \* 6/1996 Weaver et al. .... 15/323 X
- D381,481 S \* 7/1997 Medema et al. .... D32/31
- D460,227 S \* 7/2002 Leyden ..... D32/22 X

D481,838 S \* 11/2003 Renner ..... D32/15

\* cited by examiner

*Primary Examiner*—Louis S. Zarfaz

*Assistant Examiner*—Robert A. Delehanty

(74) *Attorney, Agent, or Firm*—Guido Modiano; Albert Josif; Daniel O’Byrne

(57) **CLAIM**

The ornamental design for the “high pressure cleaner”, as shown and described.

**DESCRIPTION**

FIG. 1 is a front view of a high pressure cleaner, showing my new design;

FIG. 2 is a rear view thereof;

FIG. 3 is a left side view thereof;

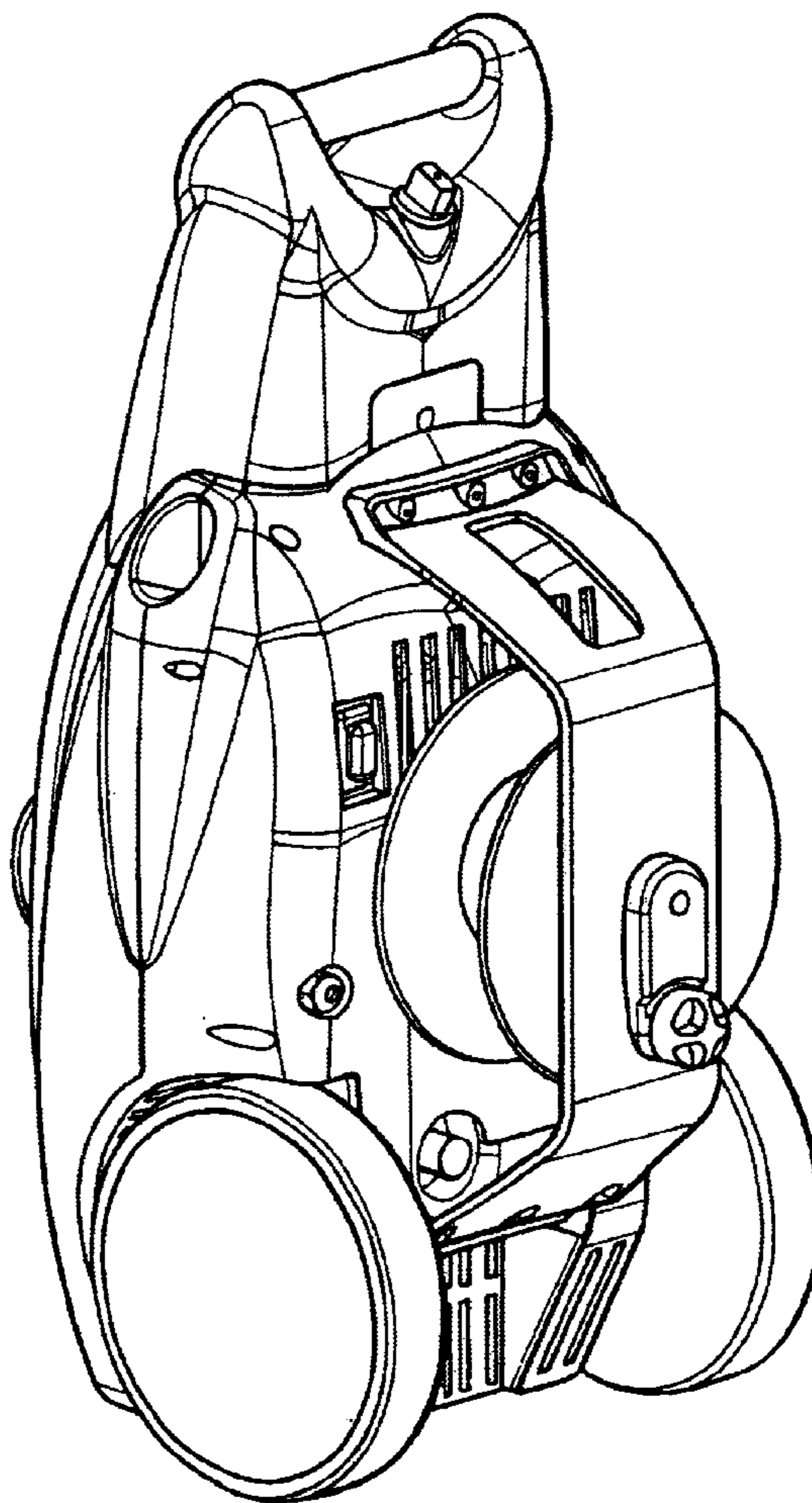
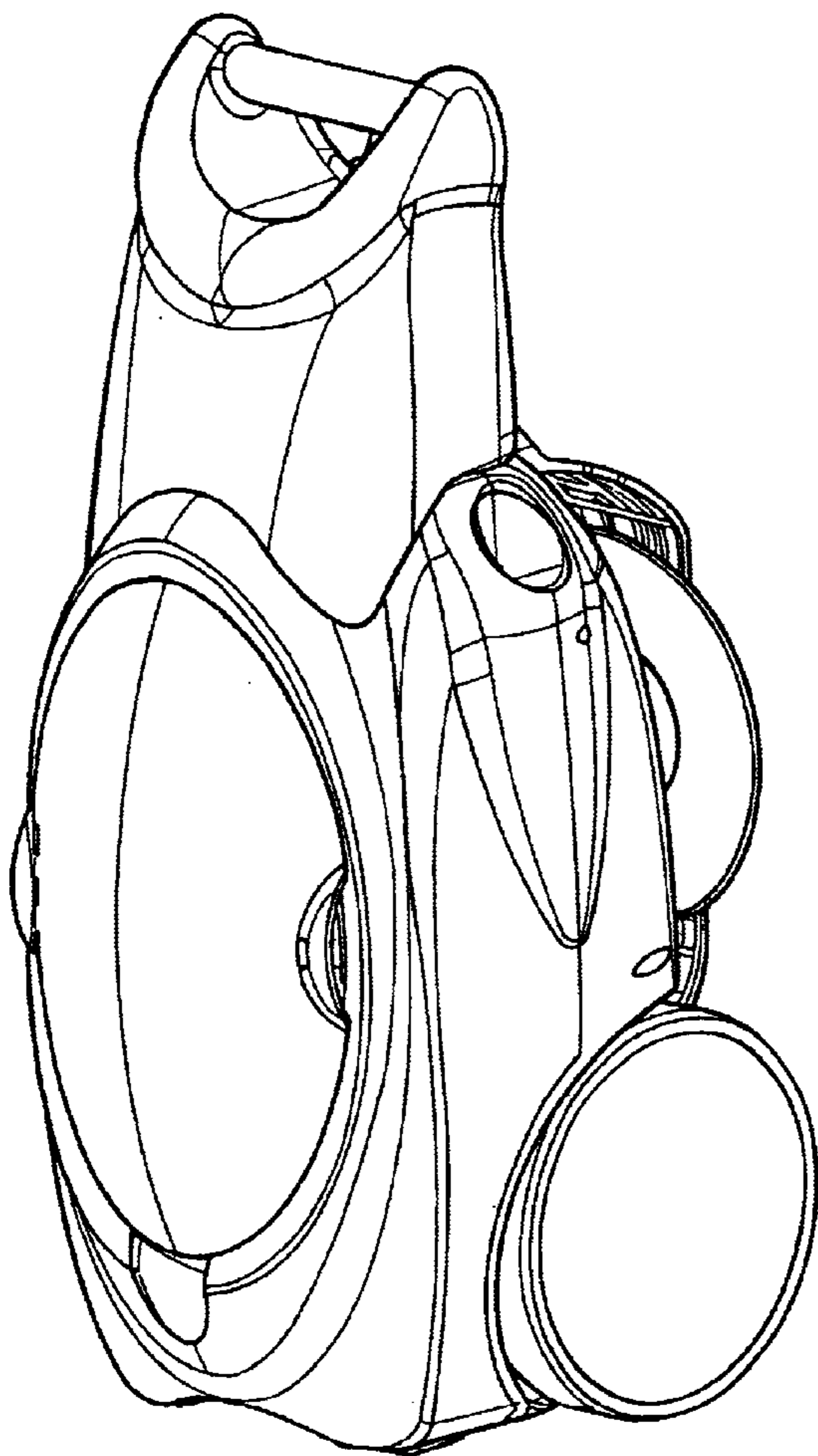
FIG. 4 is a right side view thereof;

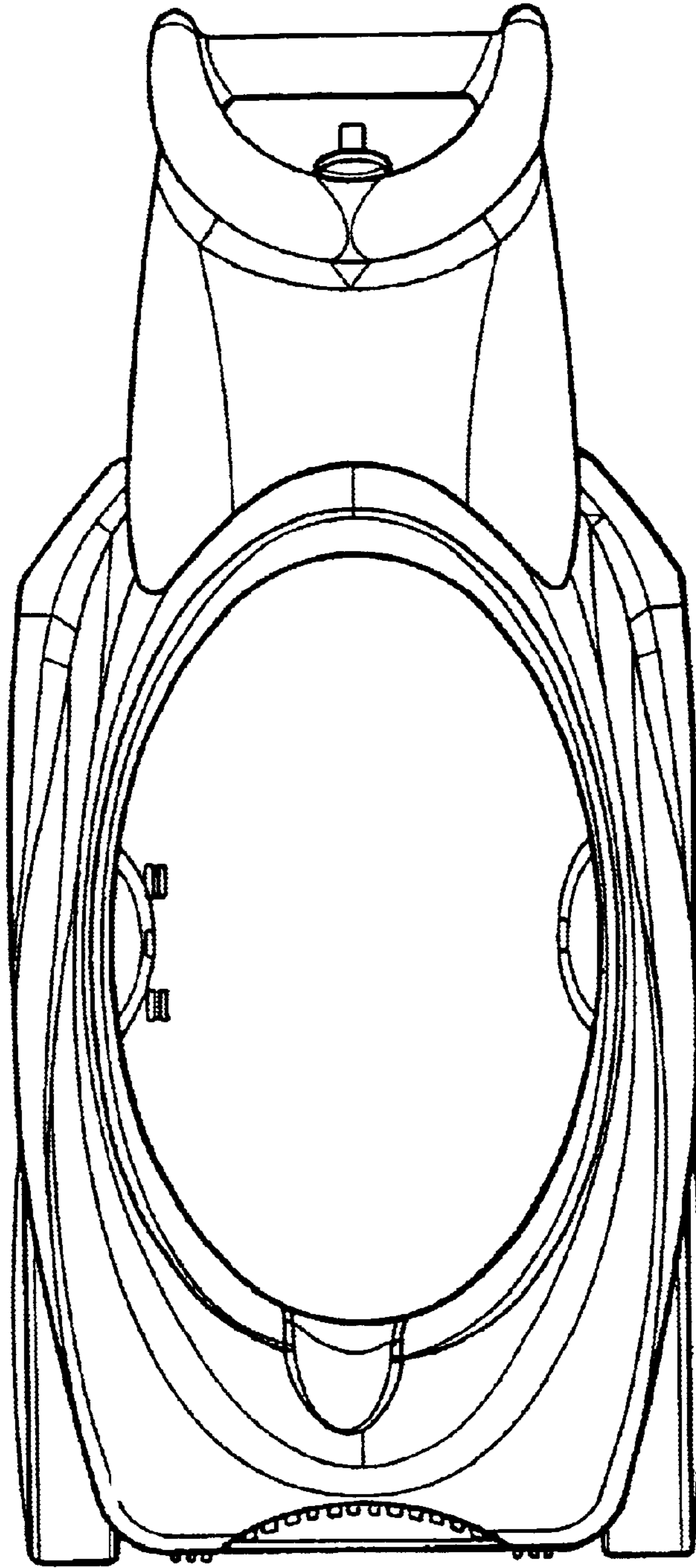
FIG. 5 is a plan view thereof, taken from above;

FIG. 6 is a front perspective view thereof, taken from the right; and,

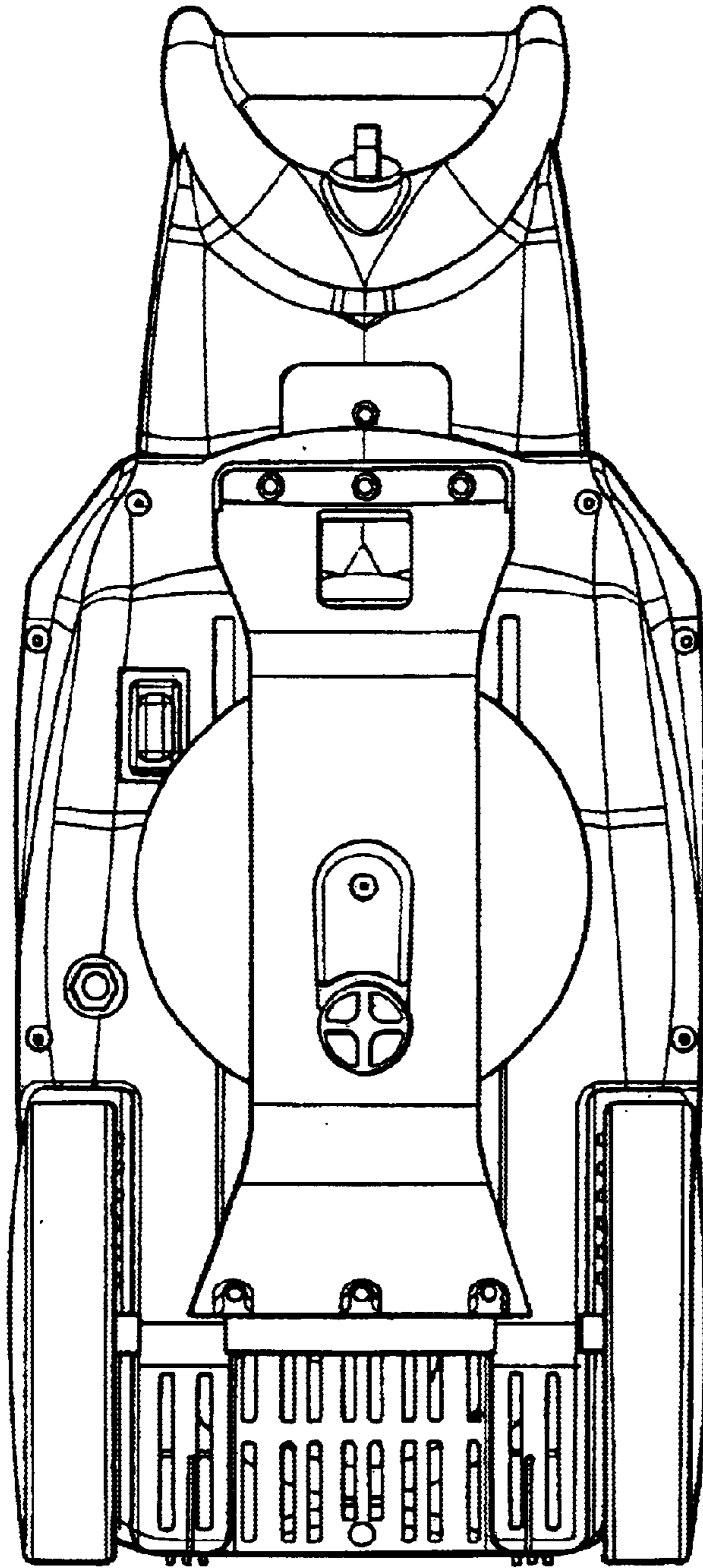
FIG. 7 is a rear perspective view thereto, taken from the right.

**1 Claim, 7 Drawing Sheets**

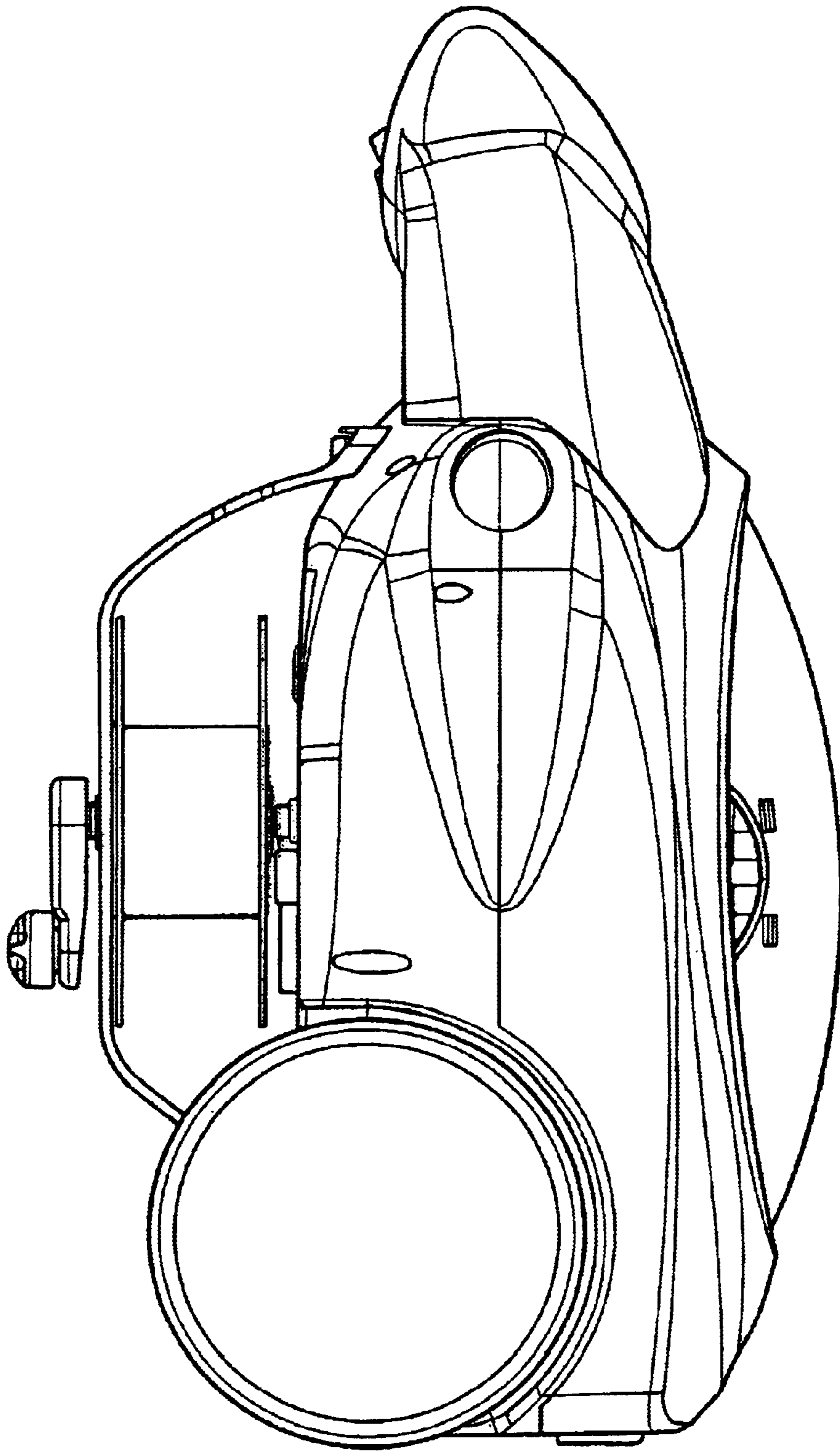




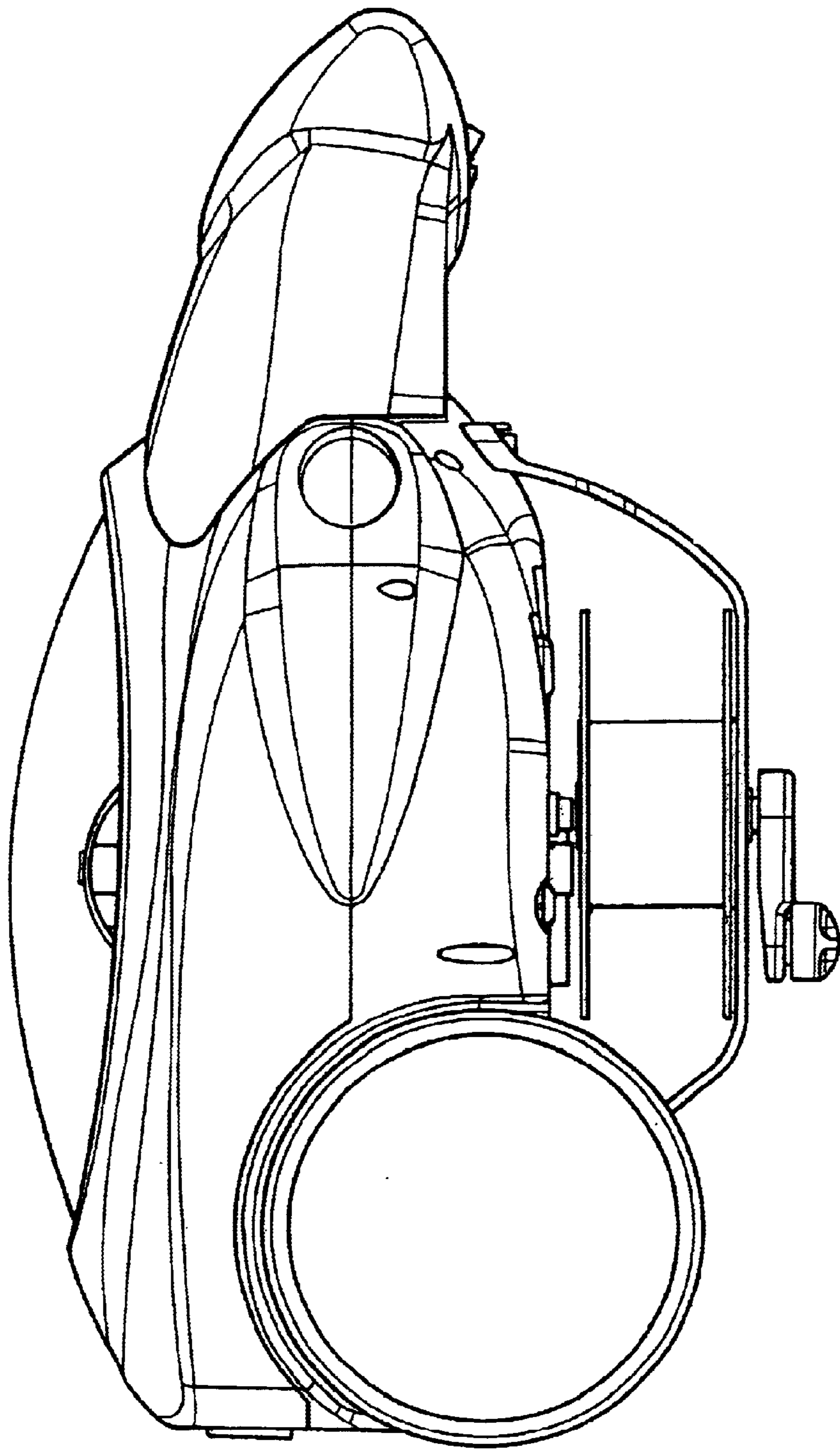
*Fig. 1*



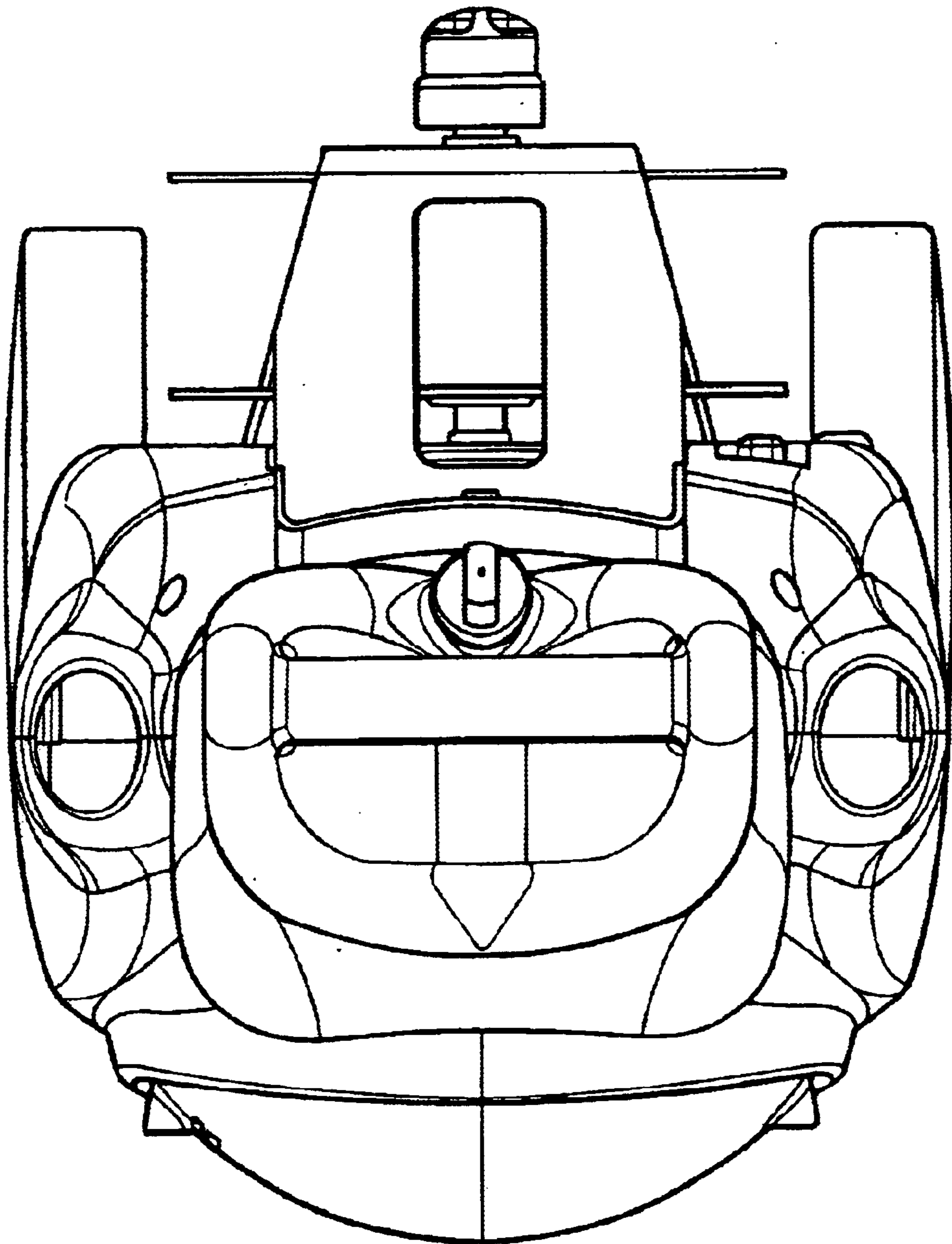
*FIG. 2*



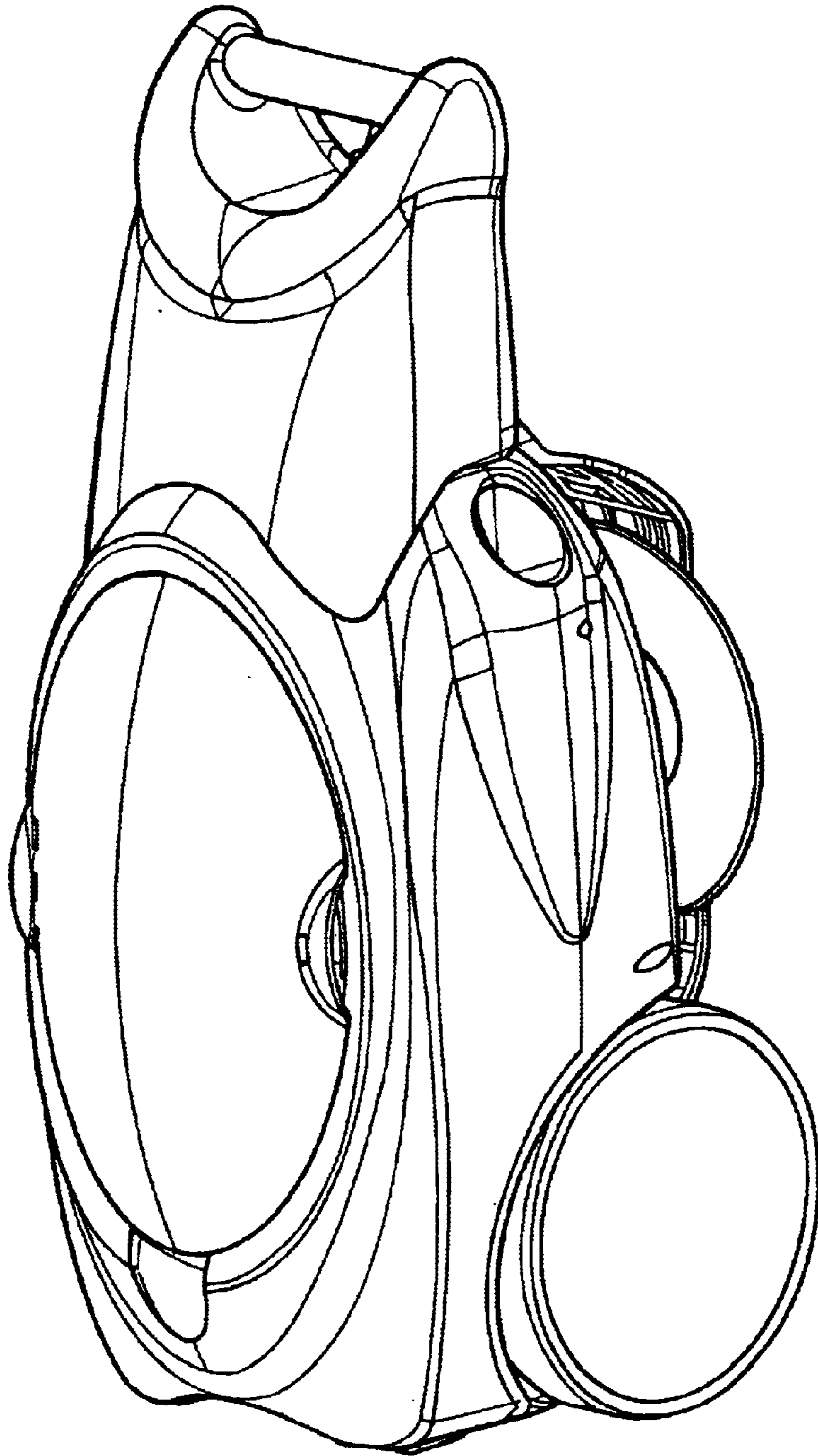
*FIG. 3*



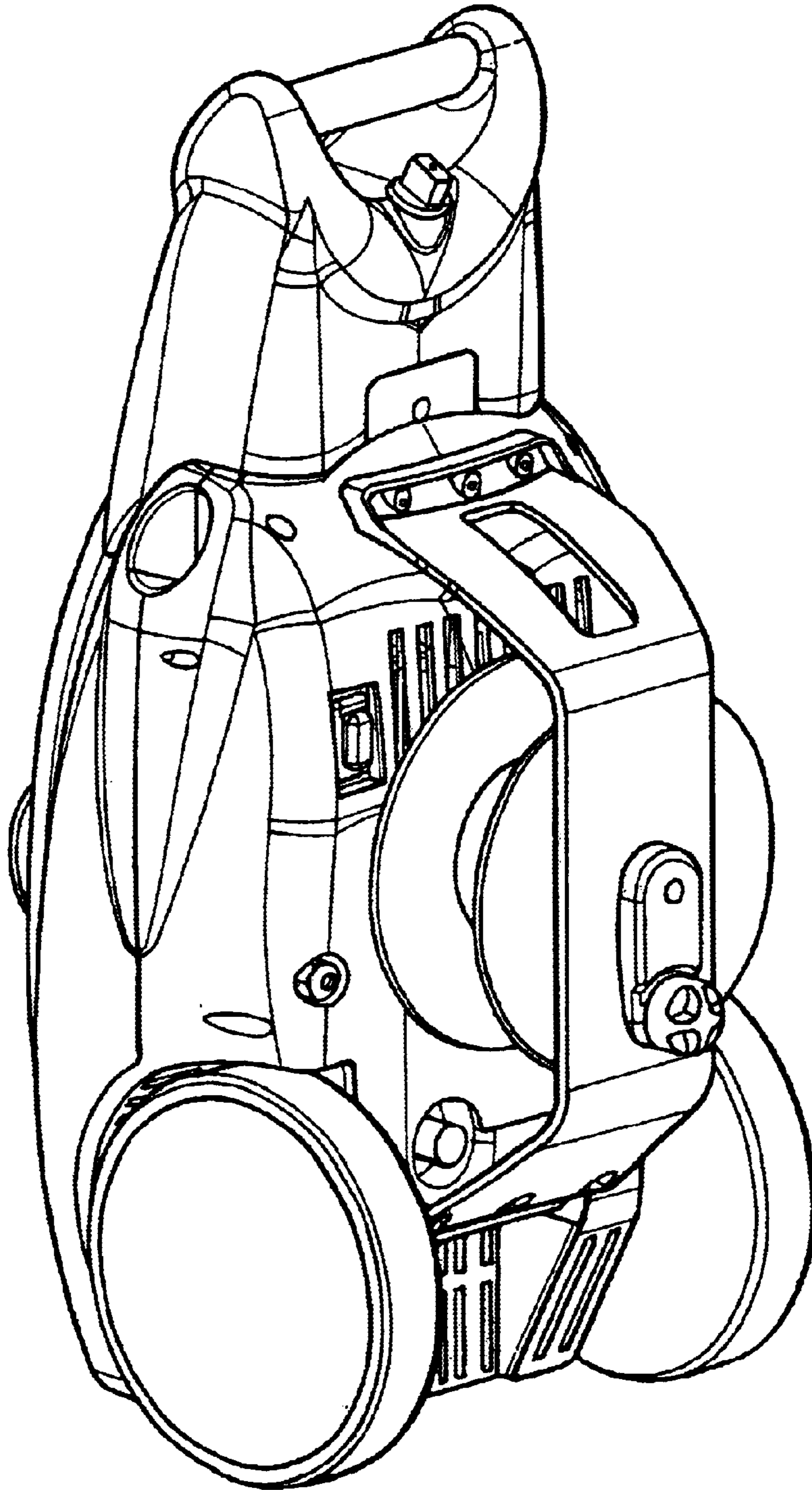
*Fig. 4*



*FIG. 5*



*FIG. 6*



*Fig. 7*