



US00D490195S

(12) **United States Design Patent**  
**Rod**

(10) **Patent No.:** **US D490,195 S**

(45) **Date of Patent:** **\*\* May 18, 2004**

(54) **SWIMMING POOL VACUUM CLEANER**

(75) **Inventor:** **Donald F. Rod**, Palm Beach Gardens, FL (US)

(73) **Assignee:** **Aqua-Vac Systems, Inc.**, West Palm Beach, FL (US)

(\*\*) **Term:** **14 Years**

(21) **Appl. No.:** **29/177,577**

(22) **Filed:** **Mar. 12, 2003**

(51) **LOC (7) Cl.** ..... **15-05**

(52) **U.S. Cl.** ..... **D32/1**

(58) **Field of Search** ..... D32/1, 15, 21, D32/25, 31; 15/1.7; 210/169, 238, 241, 416.2

(56) **References Cited**

**U.S. PATENT DOCUMENTS**

3,074,087	A	*	1/1963	Drennan	.....	15/1.7
3,795,027	A	*	3/1974	Lindberg, Jr.	.....	15/398
4,254,525	A	*	3/1981	Combest	.....	15/1.7
4,498,206	A	*	2/1985	Braukmann	.....	15/1.7
5,033,149	A	*	7/1991	Russo	.....	15/1.7
D376,450	S	*	12/1996	Campbell et al.	.....	D32/1
5,768,734	A		6/1998	Dietrich		
D421,512	S	*	3/2000	Campbell	.....	D32/1
D443,737	S	*	6/2001	Rief et al.	.....	D32/15
D469,589	S	*	1/2003	Wichmann et al.	.....	D32/15
D471,330	S	*	3/2003	Campbell	.....	D32/15

**OTHER PUBLICATIONS**

“Hammer-Head™”, date uncertain but prior to filing date of 29/177,577.

\* cited by examiner

*Primary Examiner*—Ruth McInroy

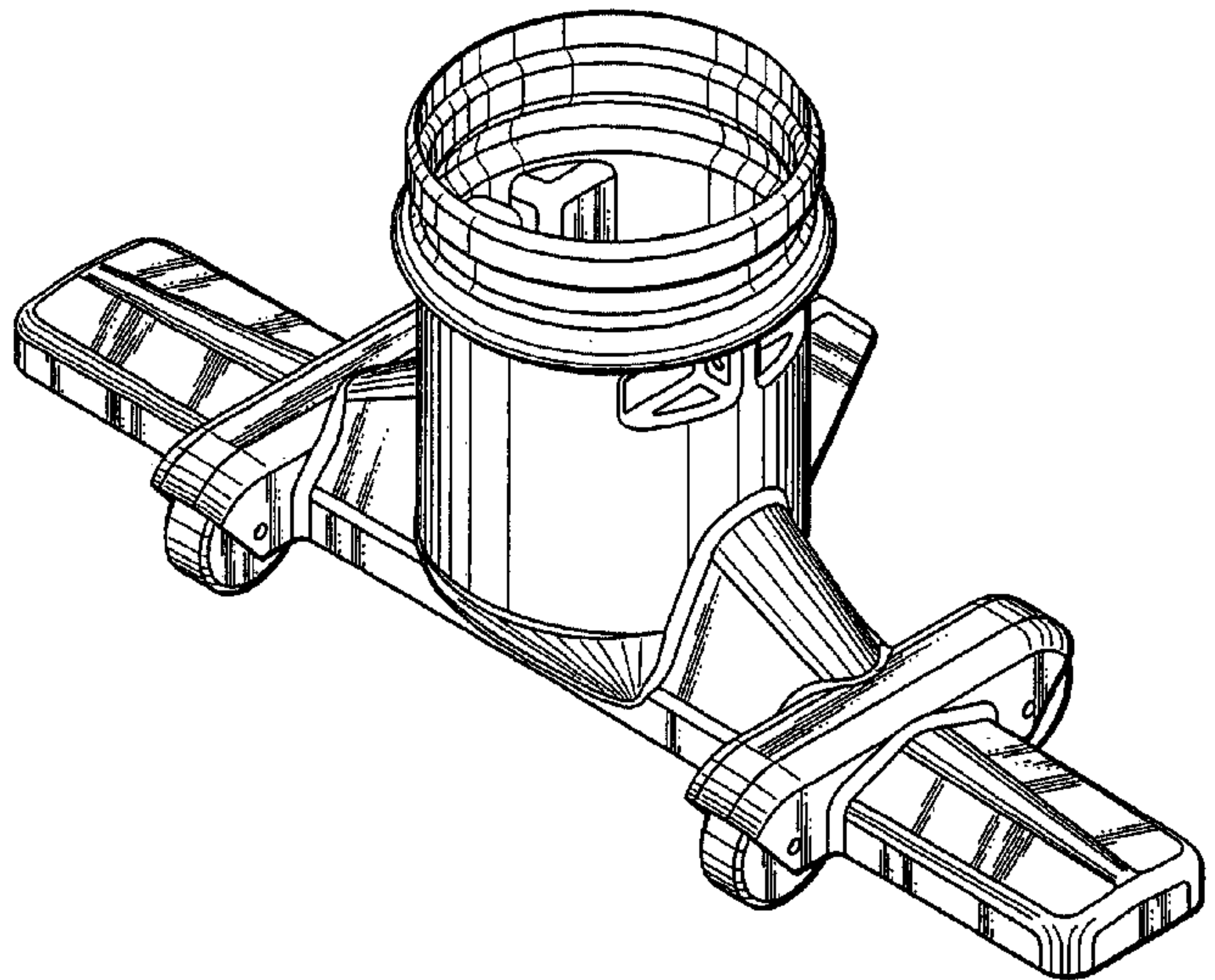
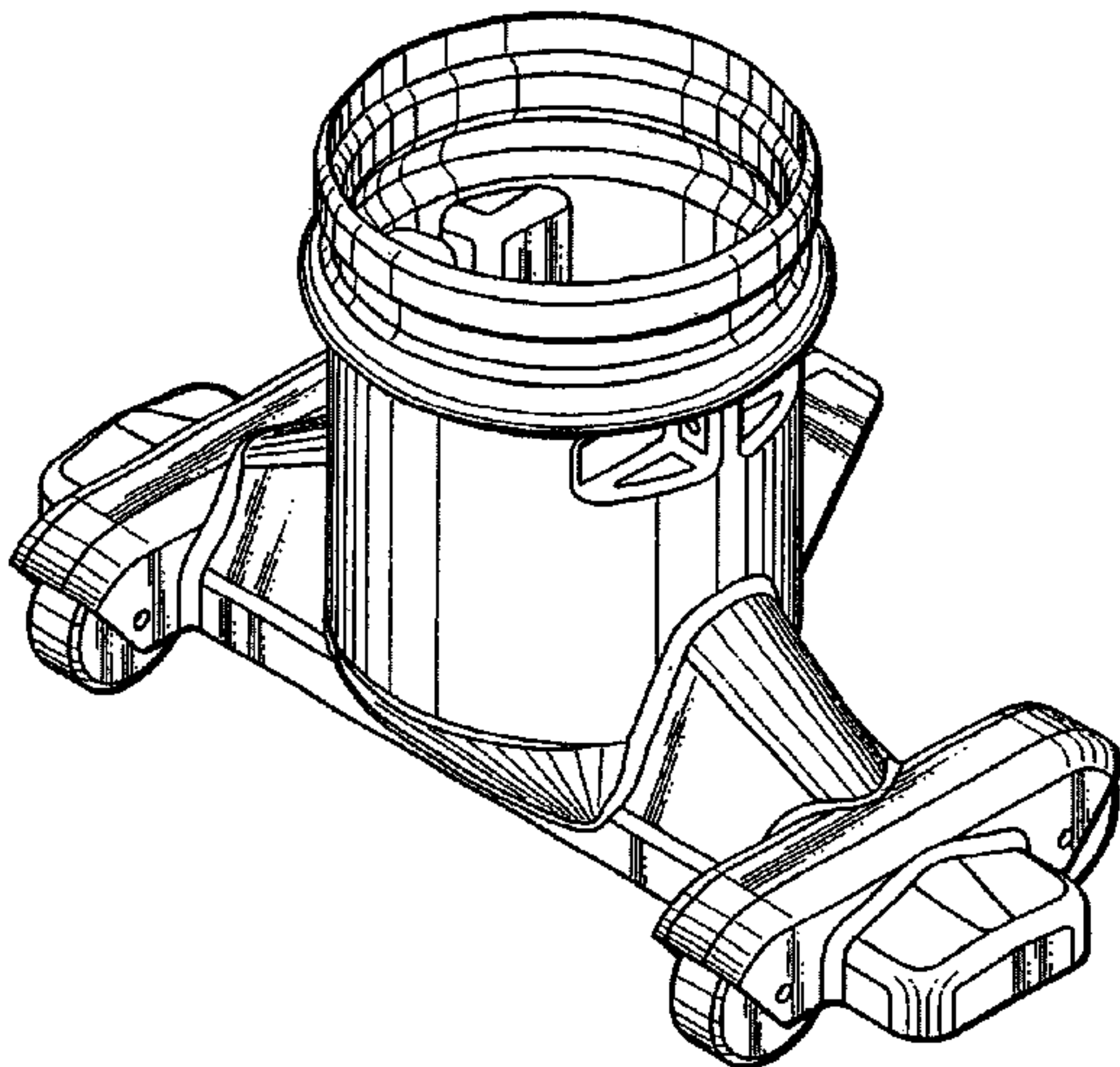
(57) **CLAIM**

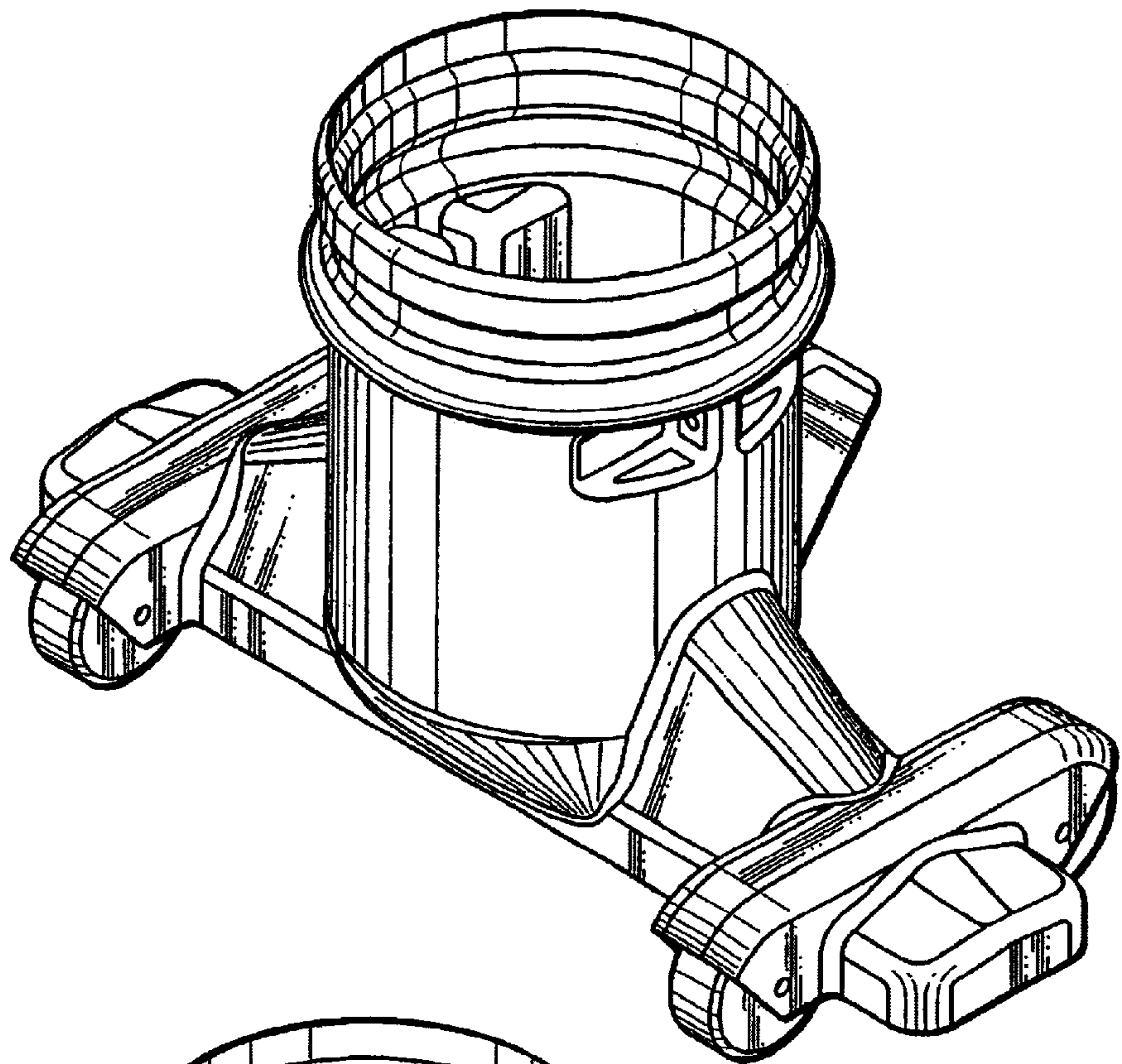
I claim the ornamental design of a swimming pool vacuum cleaner, as shown.

**DESCRIPTION**

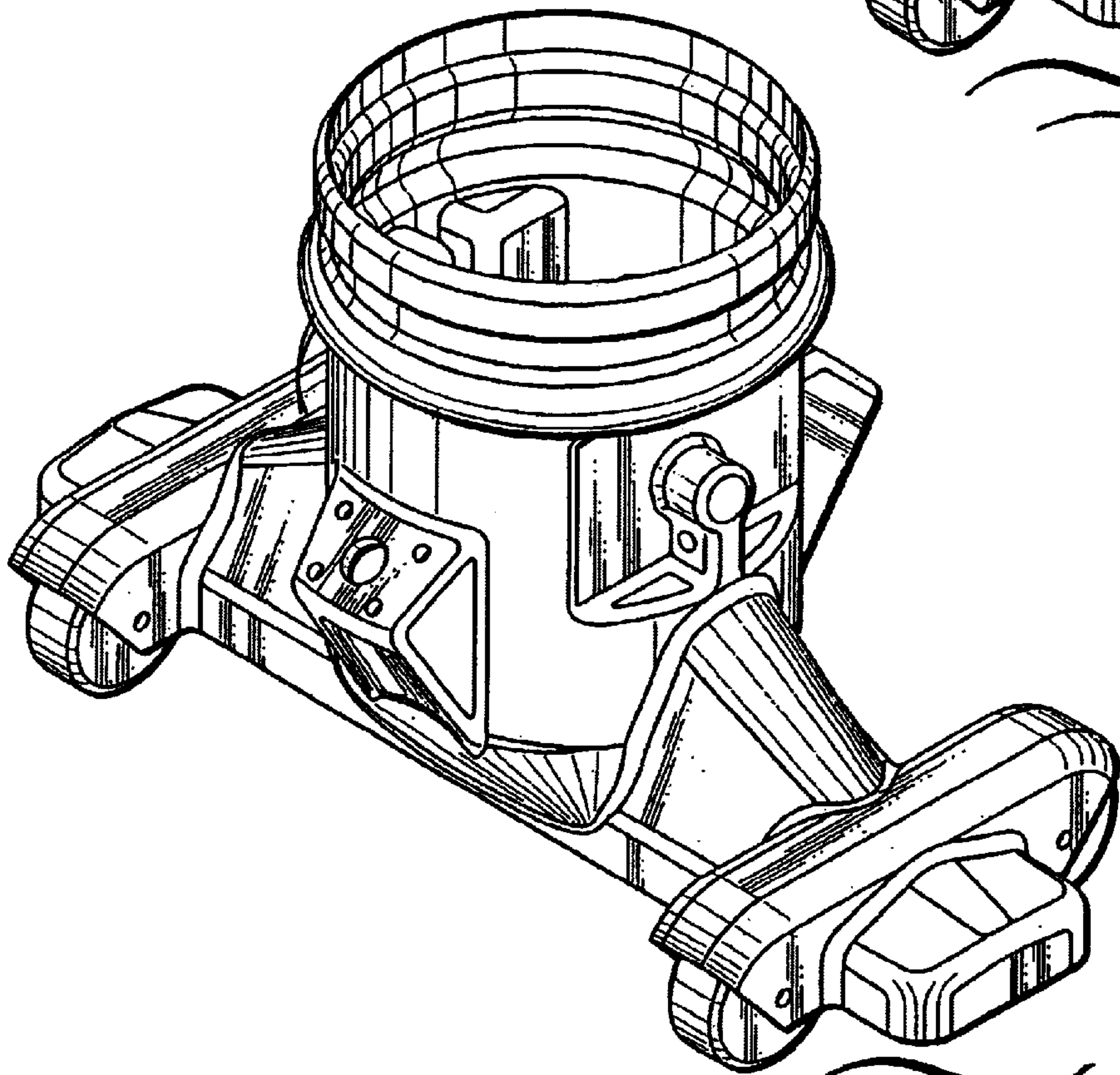
FIG. 1 is a front perspective view of a swimming pool vacuum cleaner showing my new design; FIG. 2 is a rear perspective view thereof; FIG. 3 is a front elevation view thereof; FIG. 4 is a top plan view thereof; FIG. 5 is a left end elevation view thereof; FIG. 6 is a right end elevation view thereof; FIG. 7 is a rear elevation view thereof; FIG. 8 is a front perspective view of a second embodiment thereof; FIG. 9 is a rear perspective view of FIG. 8; FIG. 10 is a front elevation view of FIG. 8; FIG. 11 is a top plan view of FIG. 8; FIG. 12 is a left end elevation view of FIG. 8; FIG. 13 is a right end elevation view of FIG. 8; and, FIG. 14 is a rear elevation view of FIG. 8.

**1 Claim, 10 Drawing Sheets**



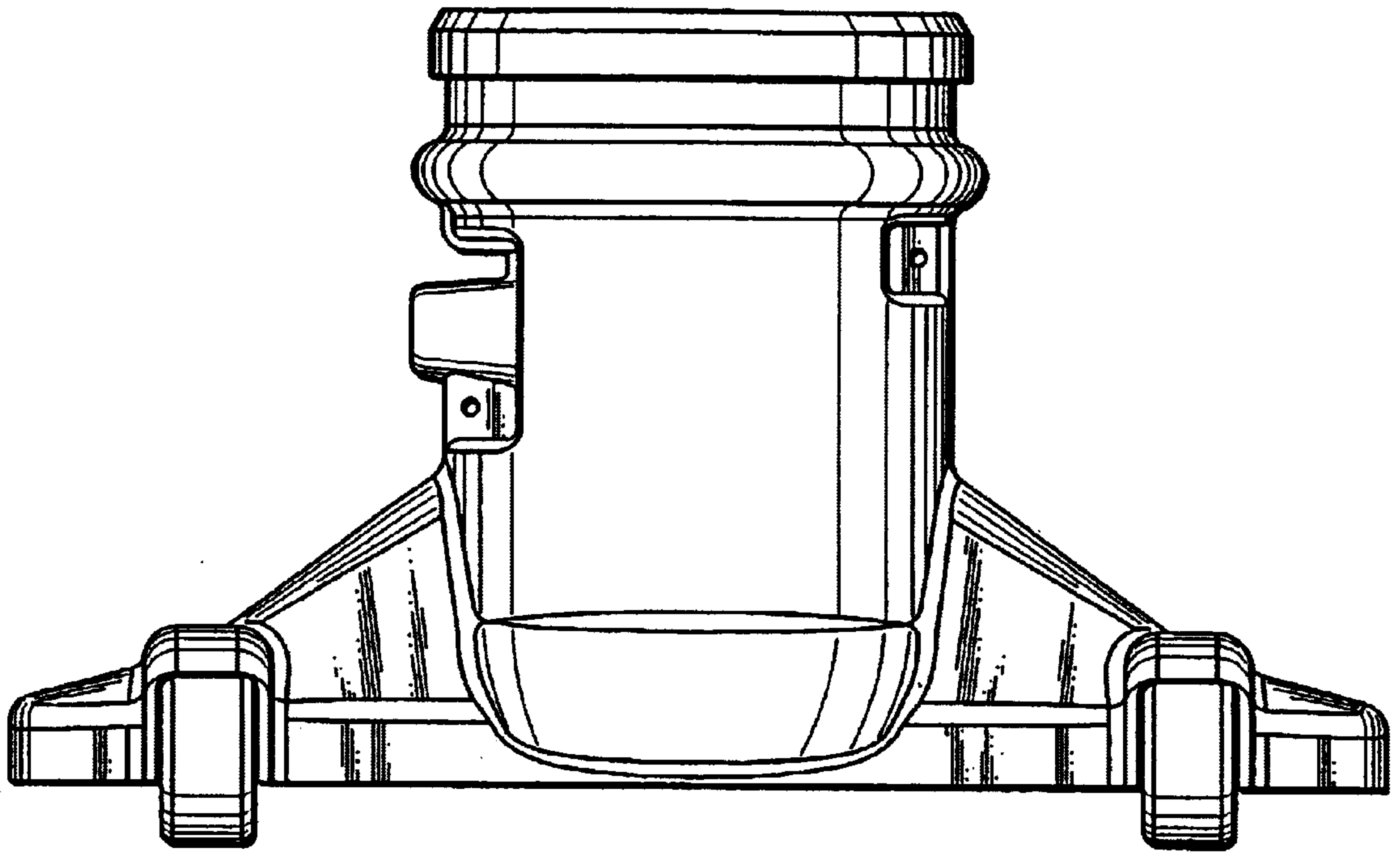


*Fig. 1*

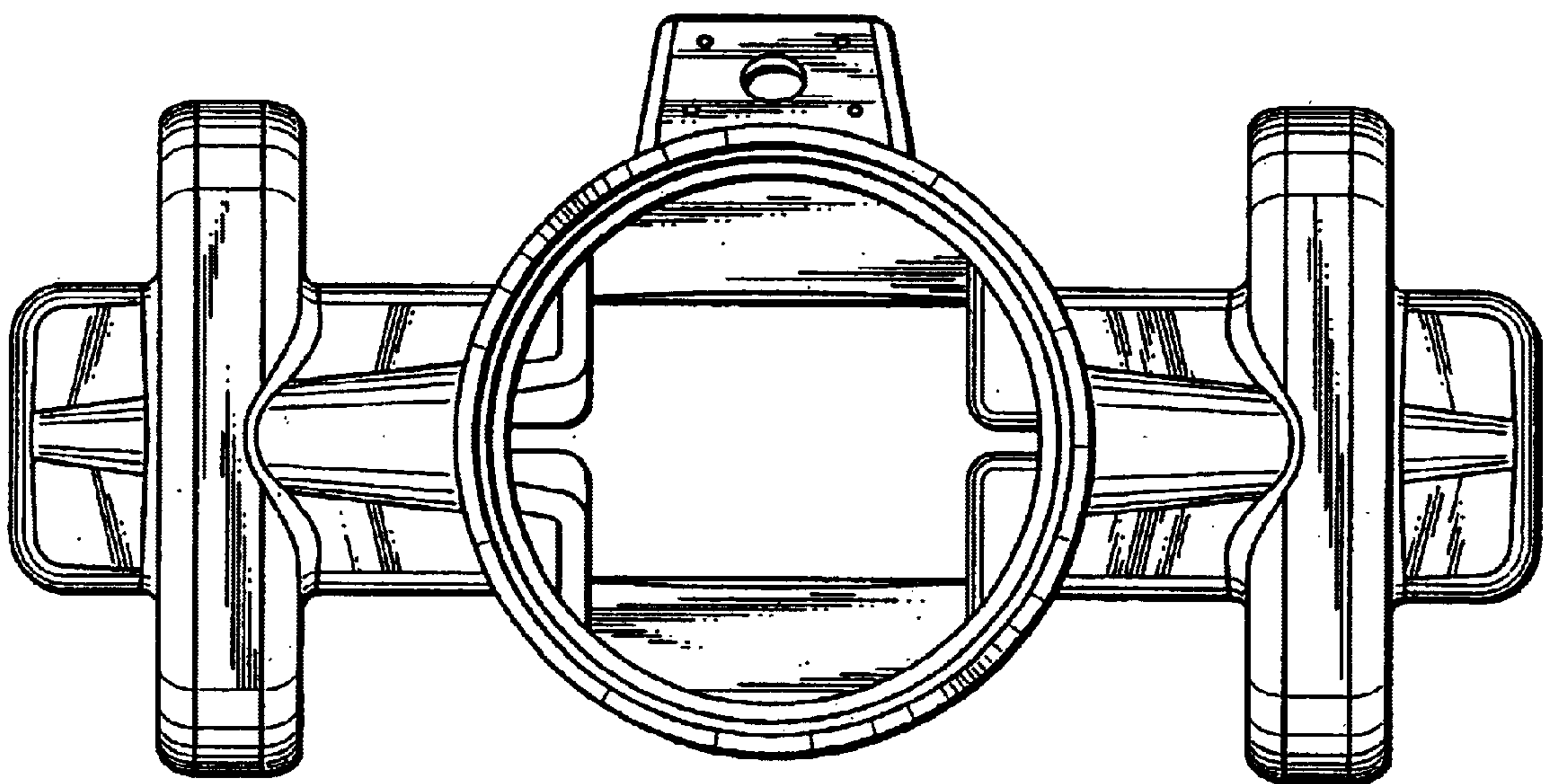


*Fig. 2*

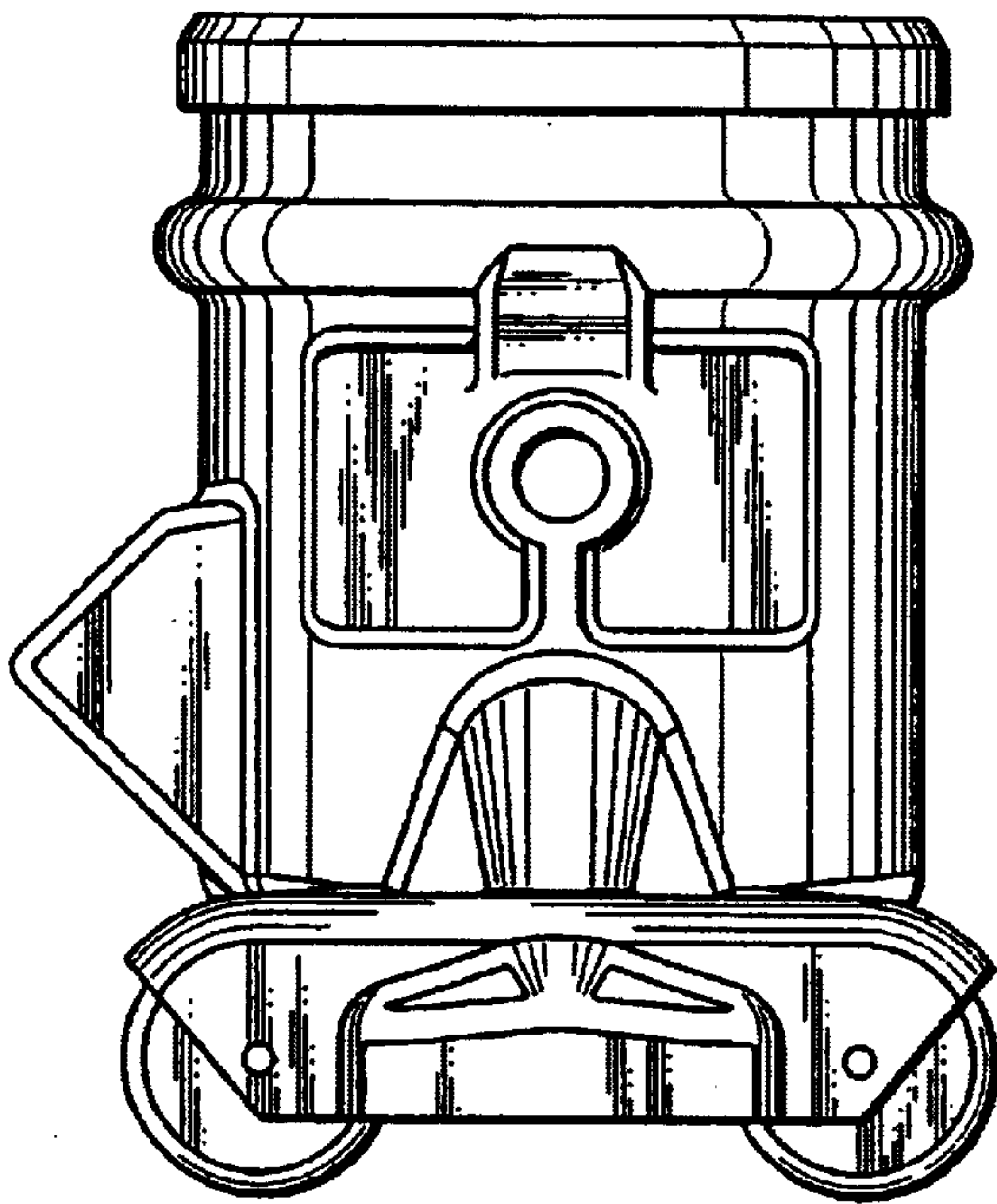




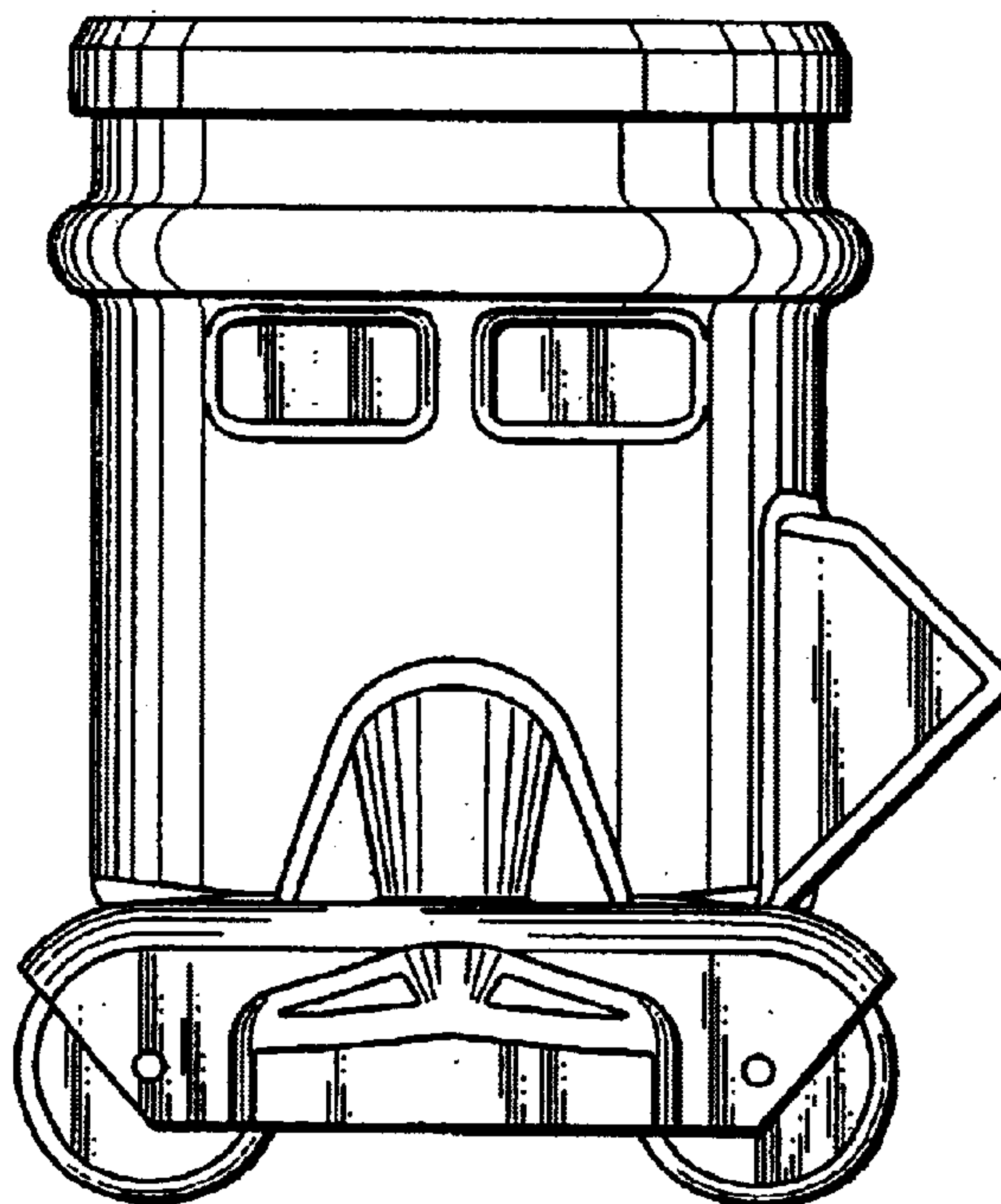
*Fig. 3*



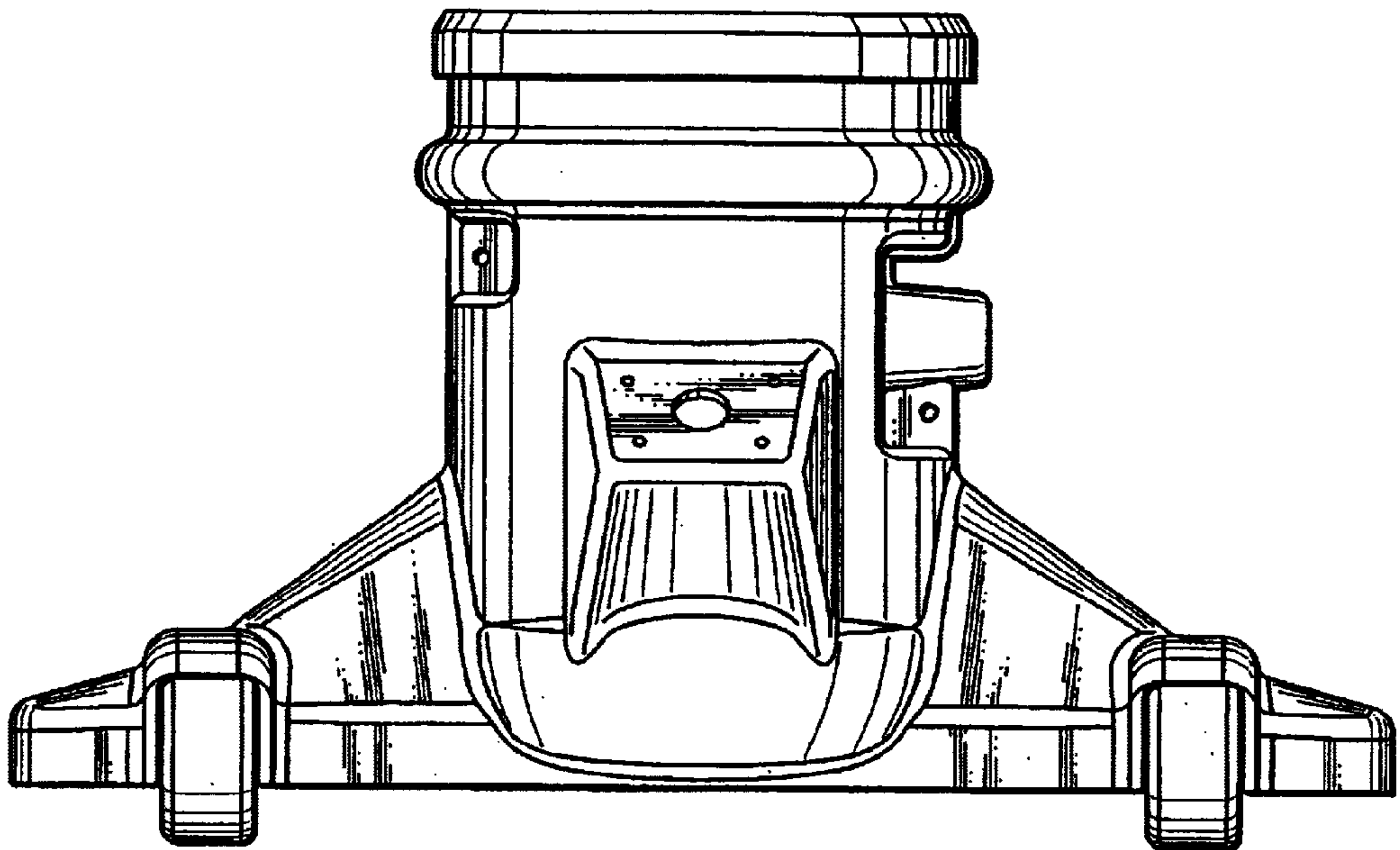
*Fig. 4*



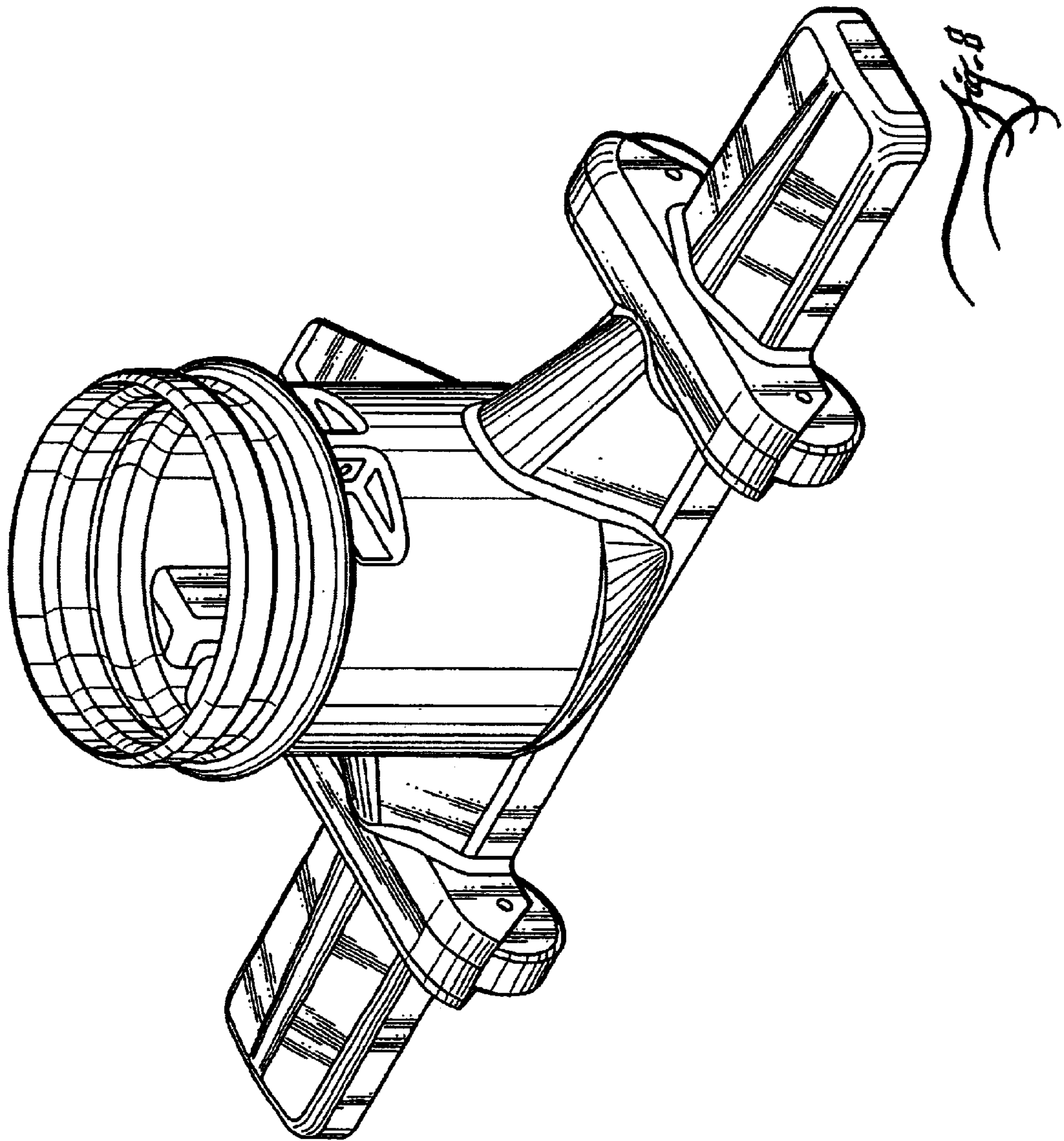
*Fig. 5*



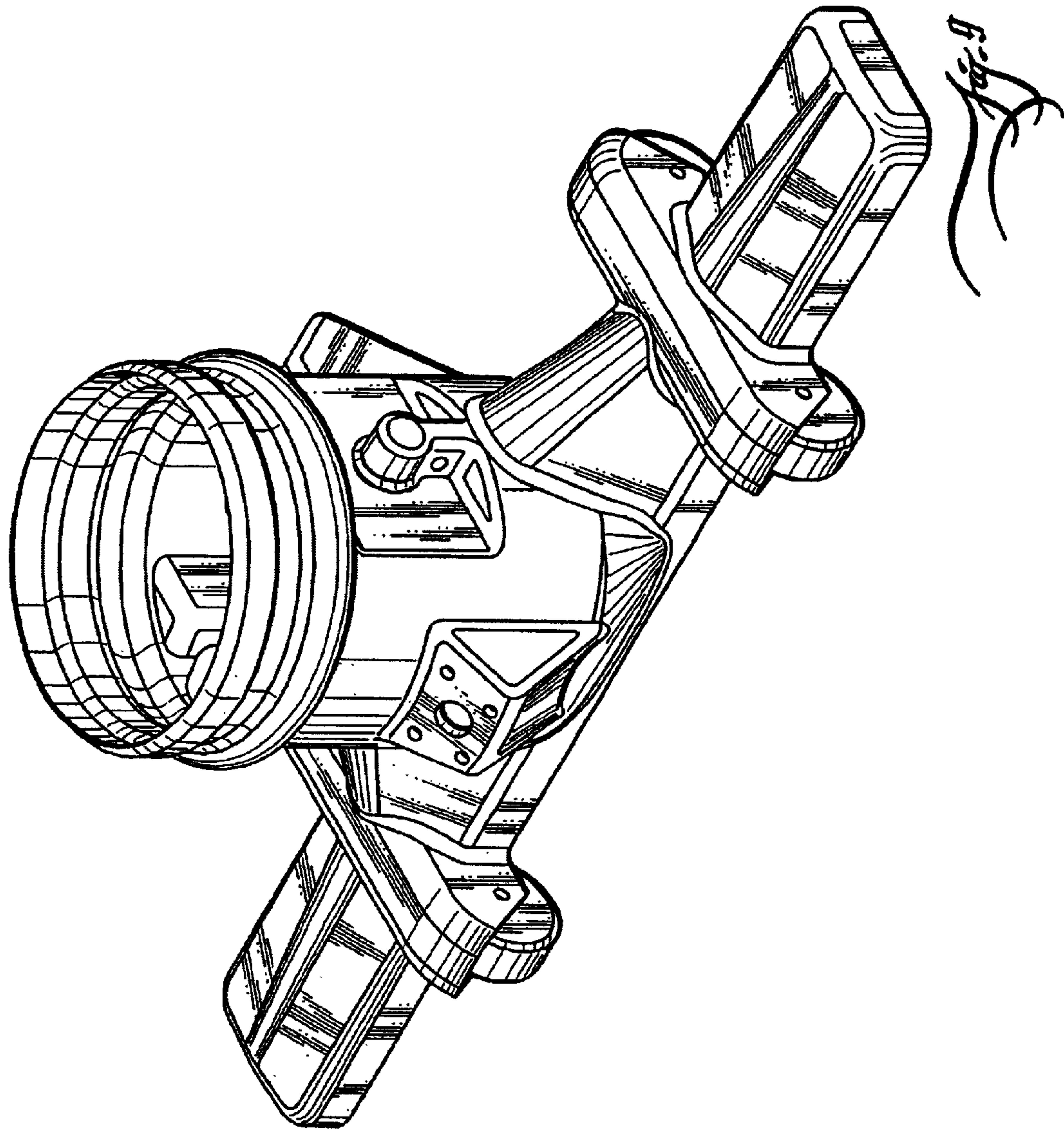
*Fig. 6*

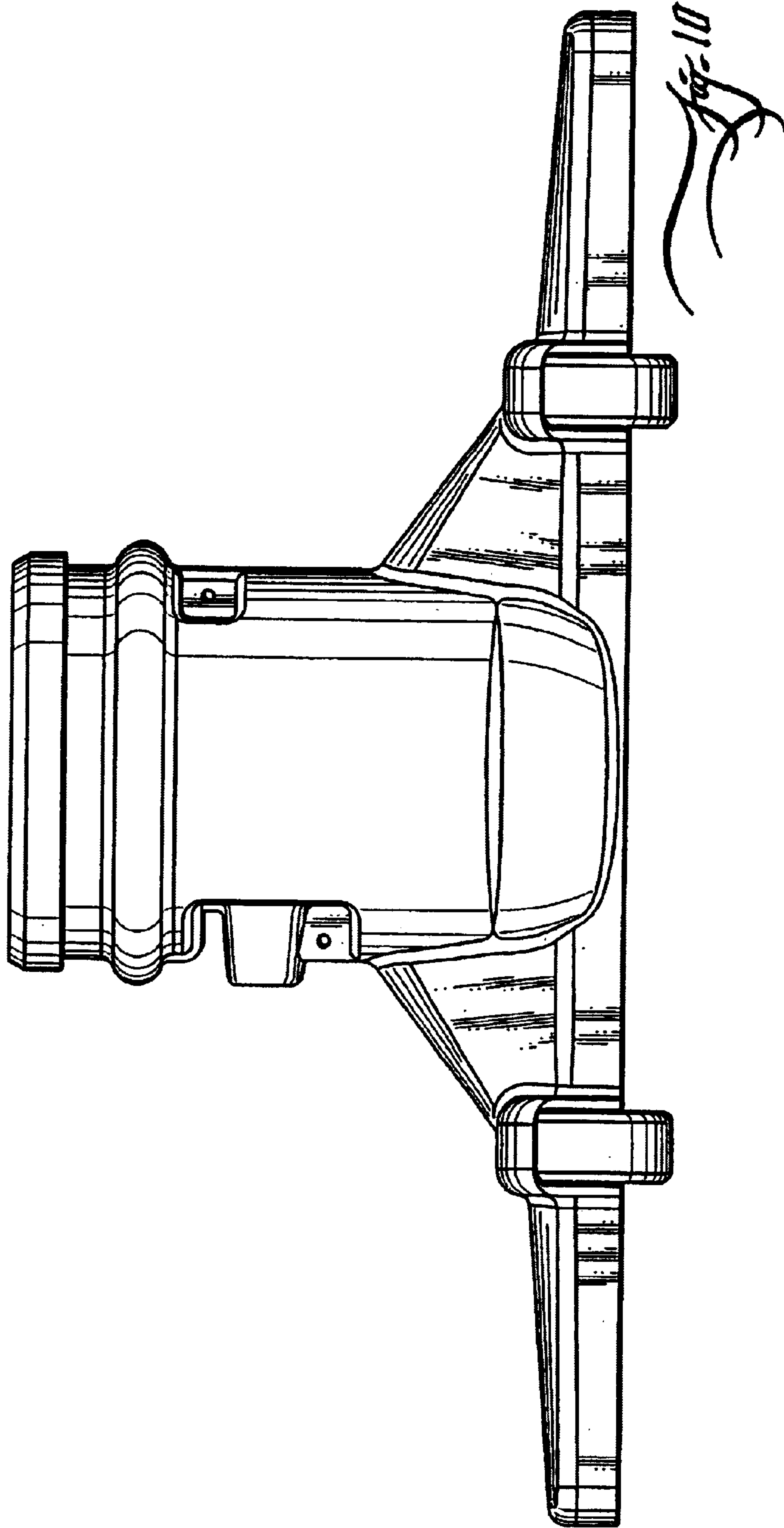


*Fig. 7*

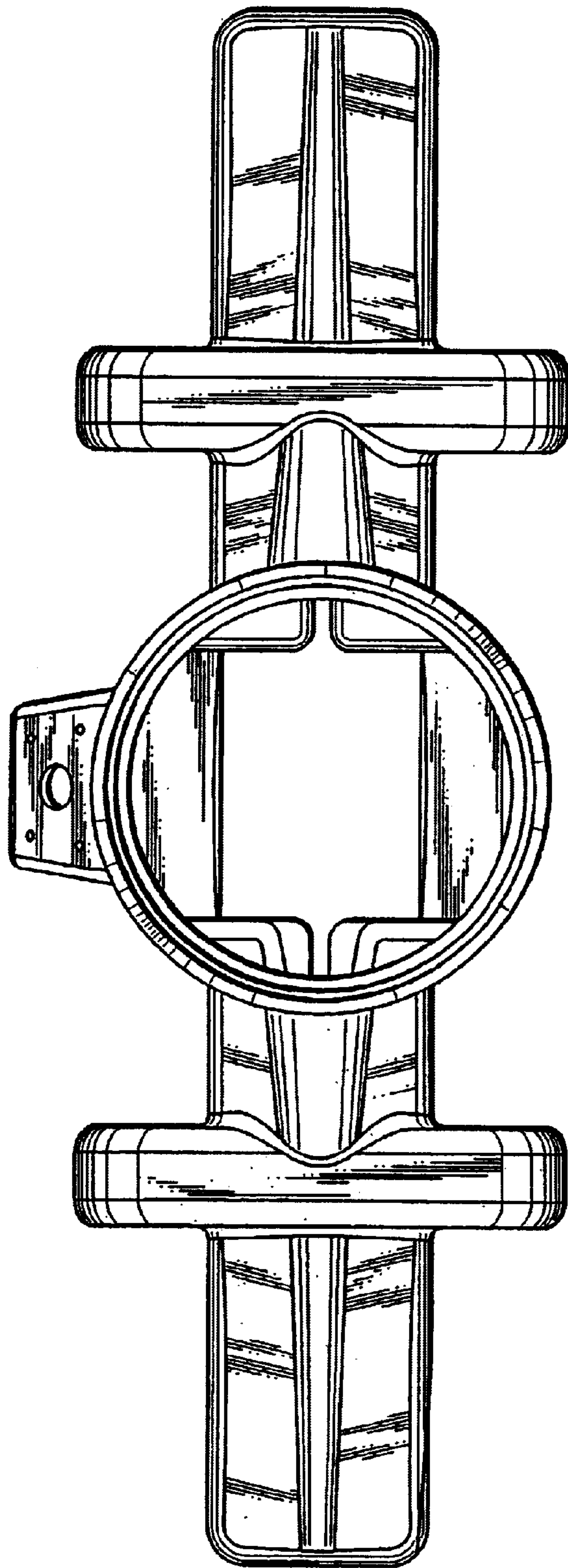




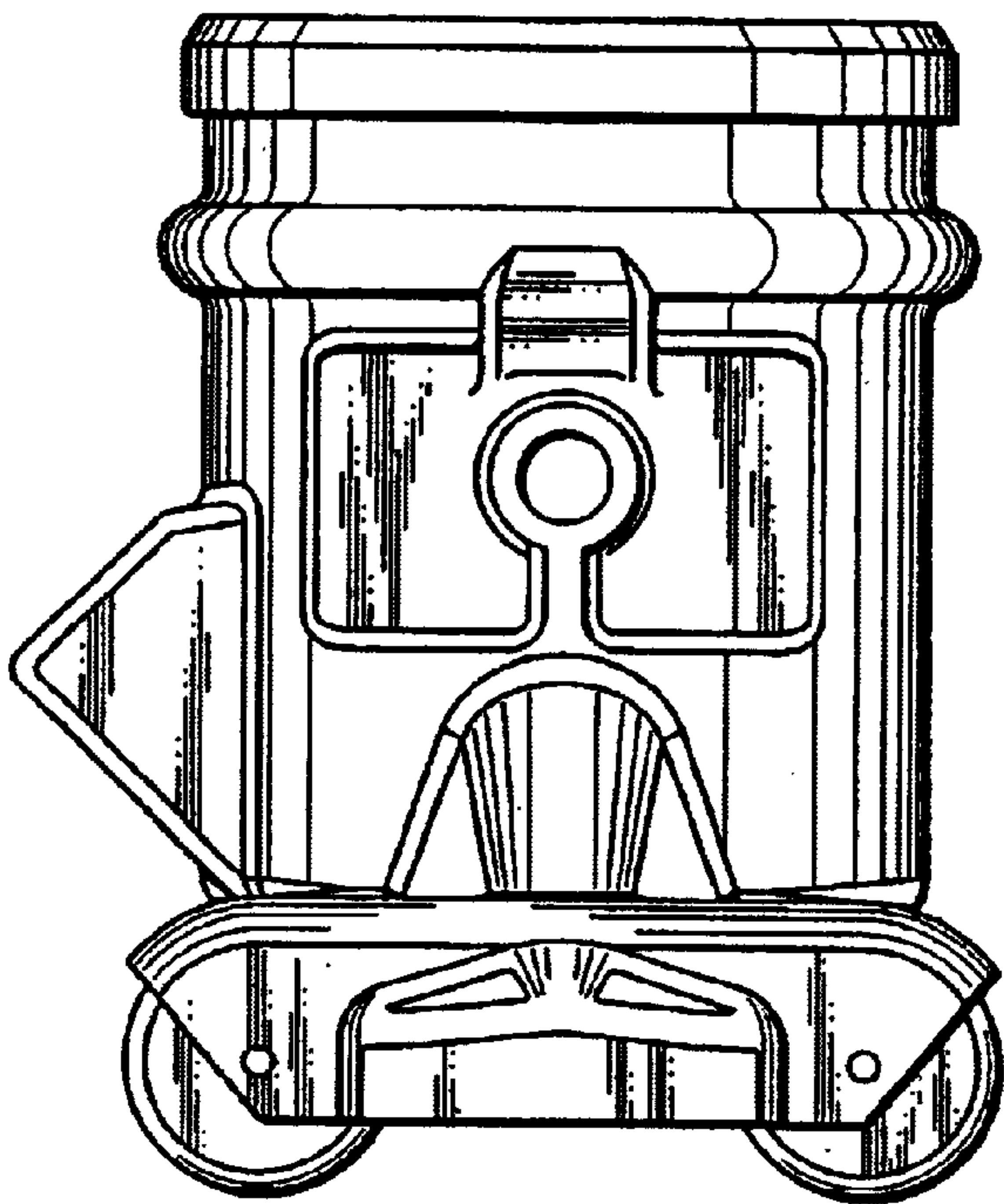




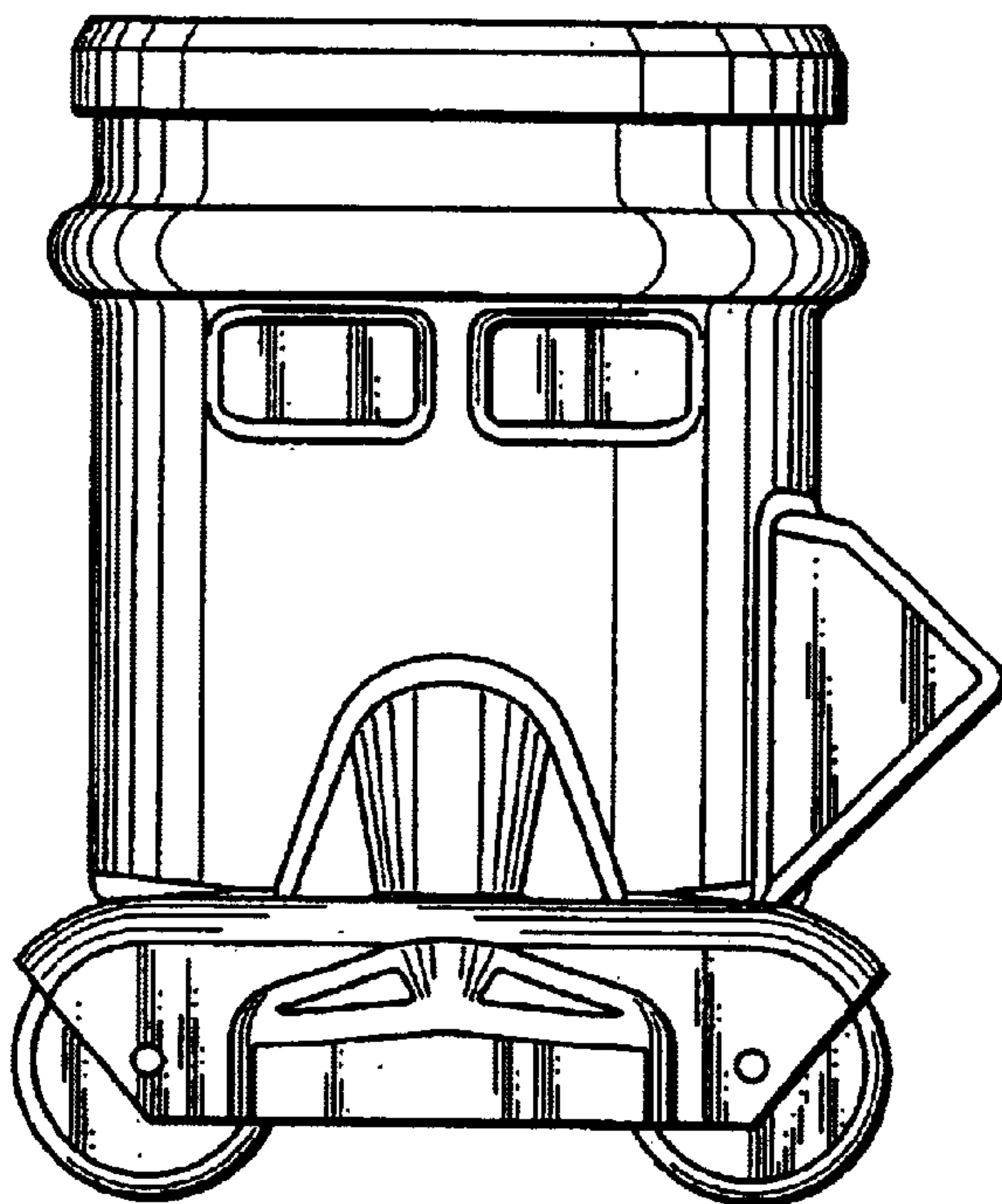




*Fig. 11*



*Fig. 12*



*Fig. 13*

