



US00D490192S

(12) **United States Design Patent**
Markusen et al.

(10) **Patent No.:** **US D490,192 S**

(45) **Date of Patent:** **** May 18, 2004**

(54) **BIRD FEEDER**

5,269,258 A 12/1993 Brown
5,454,348 A * 10/1995 Colwell et al. 119/72

(76) Inventors: **Robert E. Markusen**, deceased, late of Racine, WI (US); by Janet Markusen, legal representative, 2324 N. Emmertsen Rd., Racine, WI (US) 53406; **Arthur J. Beutler**, 5890 Fleming Ct., Greendale, WI (US) 53129

* cited by examiner

Primary Examiner—Pamela Burgess
(74) *Attorney, Agent, or Firm*—Ryan Kromholz & Manion, S.C.

(**) Term: **14 Years**

(57) **CLAIM**

The ornamental design for a bird feeder, as shown and described.

(21) Appl. No.: **29/170,603**

(22) Filed: **Nov. 8, 2002**

DESCRIPTION

(51) **LOC (7) Cl.** **30-03**

(52) **U.S. Cl.** **D30/124**; 119/72

(58) **Field of Search** D30/124-128;
119/428, 429, 459, 72, 77, 57.8, 57.9, 52.2,
52.3, 52.4, 468

FIG. 1 is a perspective view of a bird feeder showing our new design.

FIG. 2 is a front elevation view thereof.

FIG. 3 is a side elevation view thereof, viewed from a location 90° clockwise from FIG. 2.

FIG. 4 is a side elevation view thereof, viewed from a location 90° clockwise from FIG. 3.

FIG. 5 is a side elevation view thereof, viewed from a location 90° clockwise from FIG. 4.

FIG. 6 is a top plan view thereof; and,

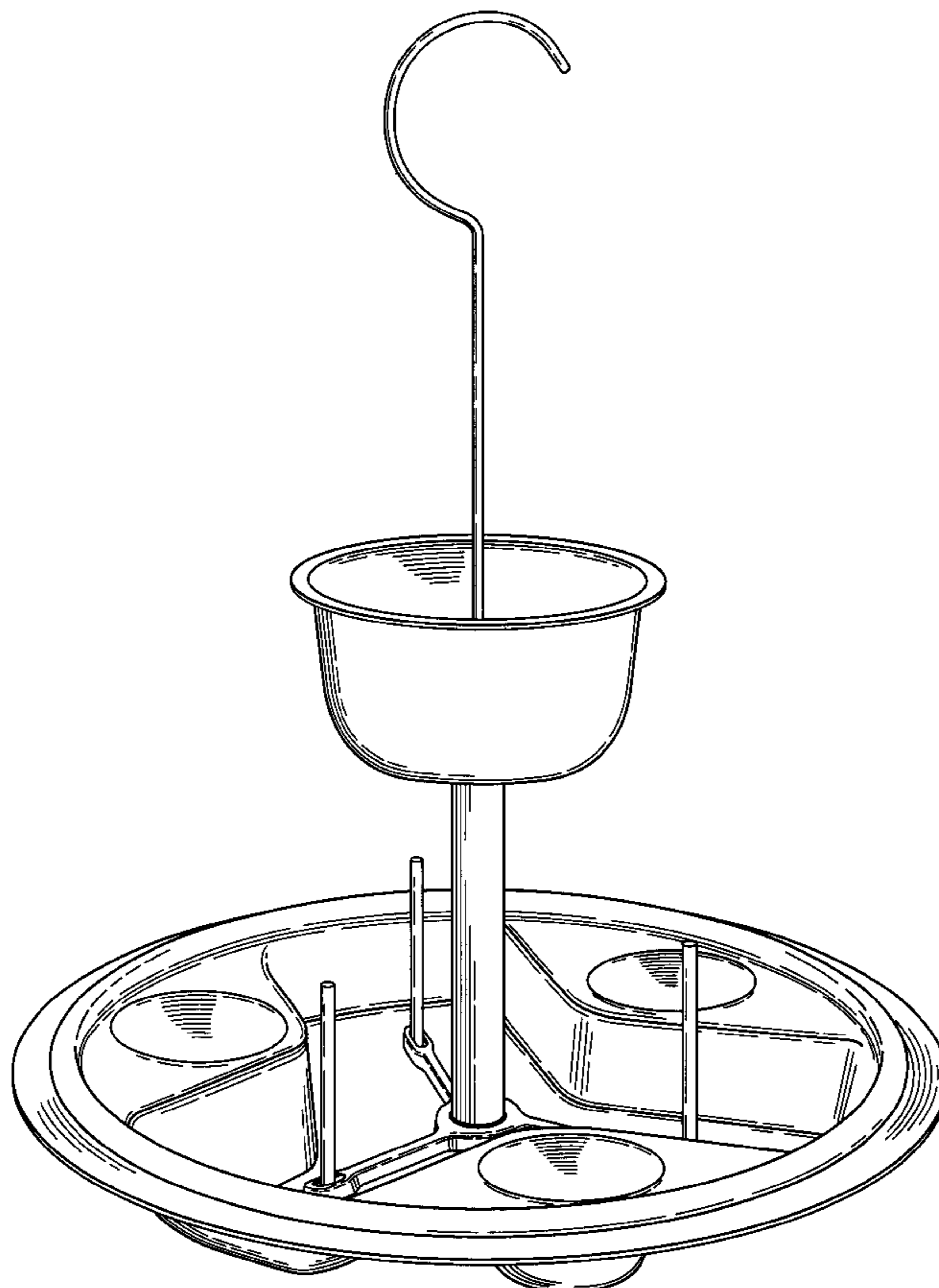
FIG. 7 is a bottom plan view thereof.

(56) **References Cited**

U.S. PATENT DOCUMENTS

- 1,575,101 A * 3/1926 Edwards 119/468
- 4,829,934 A 5/1989 Blasbalg
- 4,980,990 A 1/1991 Hiday
- 5,062,390 A * 11/1991 Bescherer et al. 119/72

1 Claim, 6 Drawing Sheets



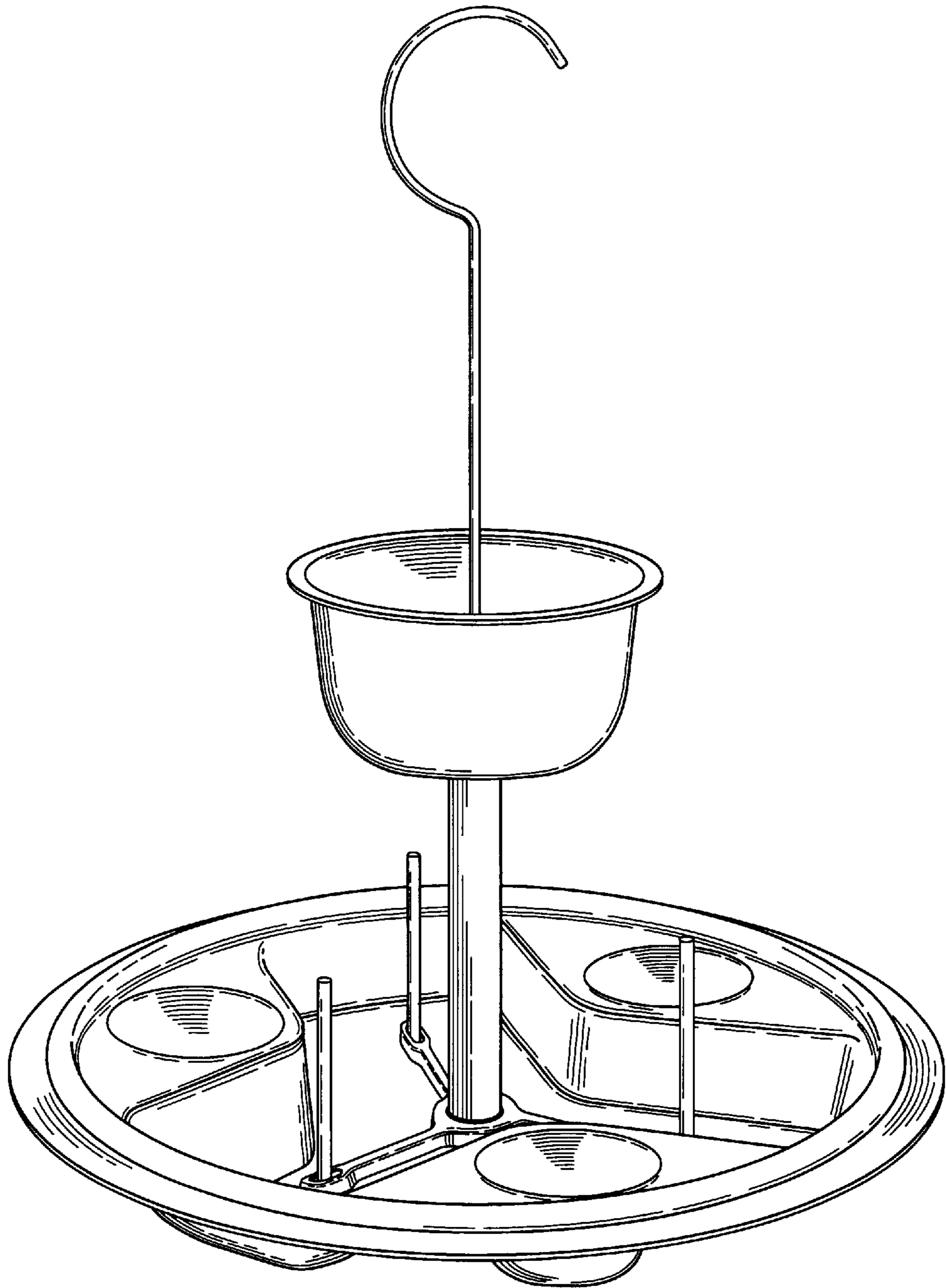


Fig. 1

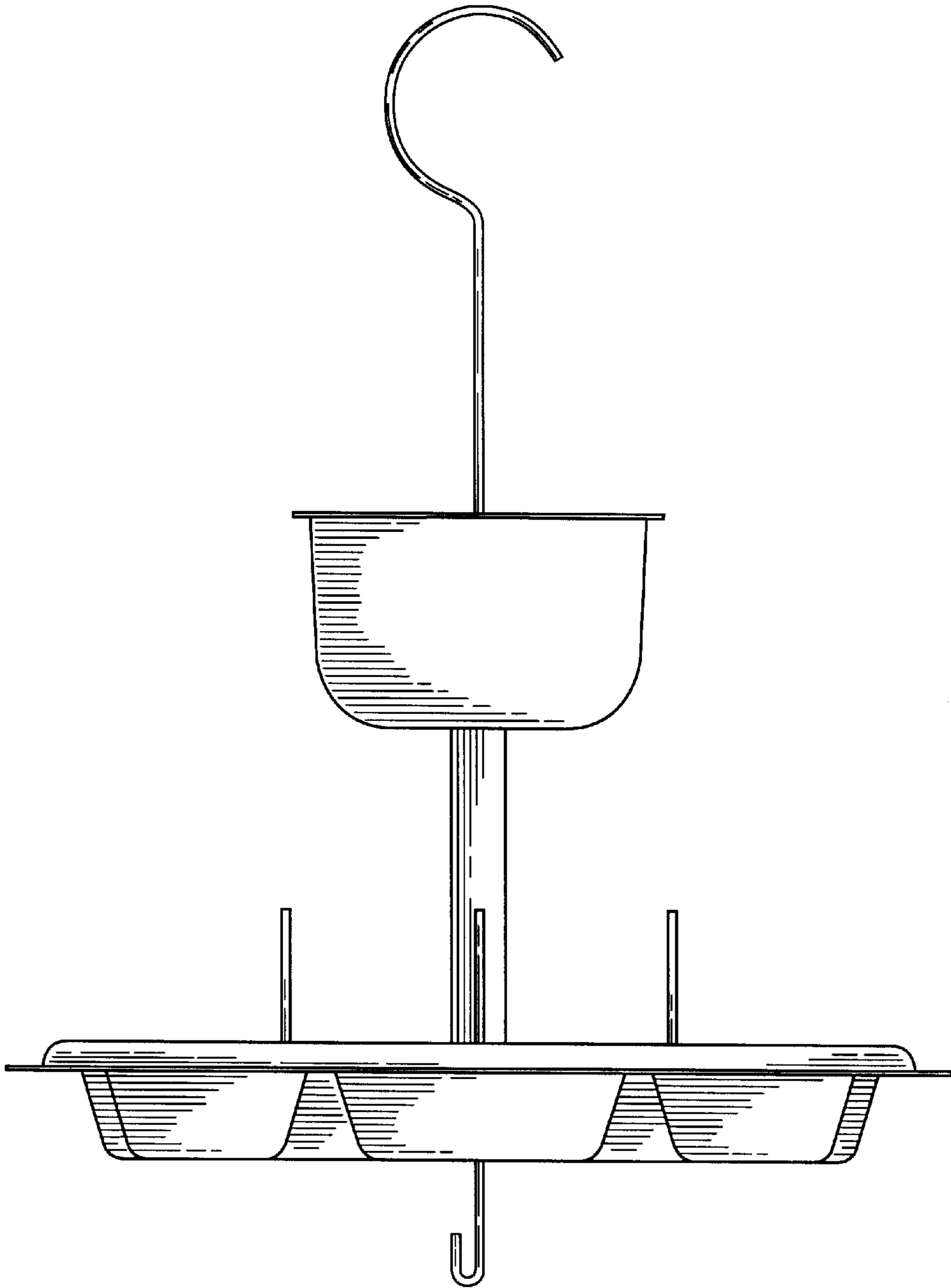


Fig. 2

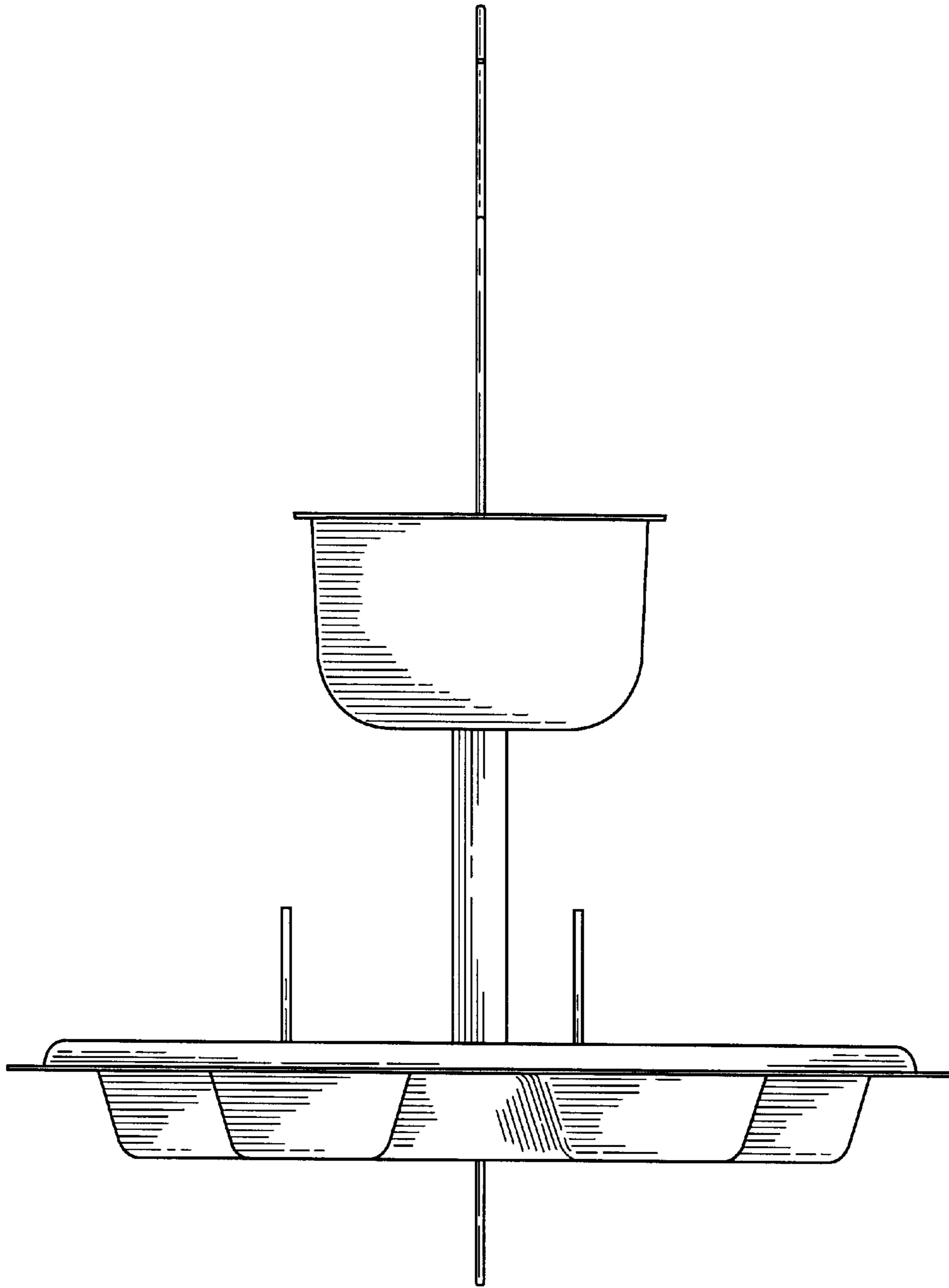


Fig. 3

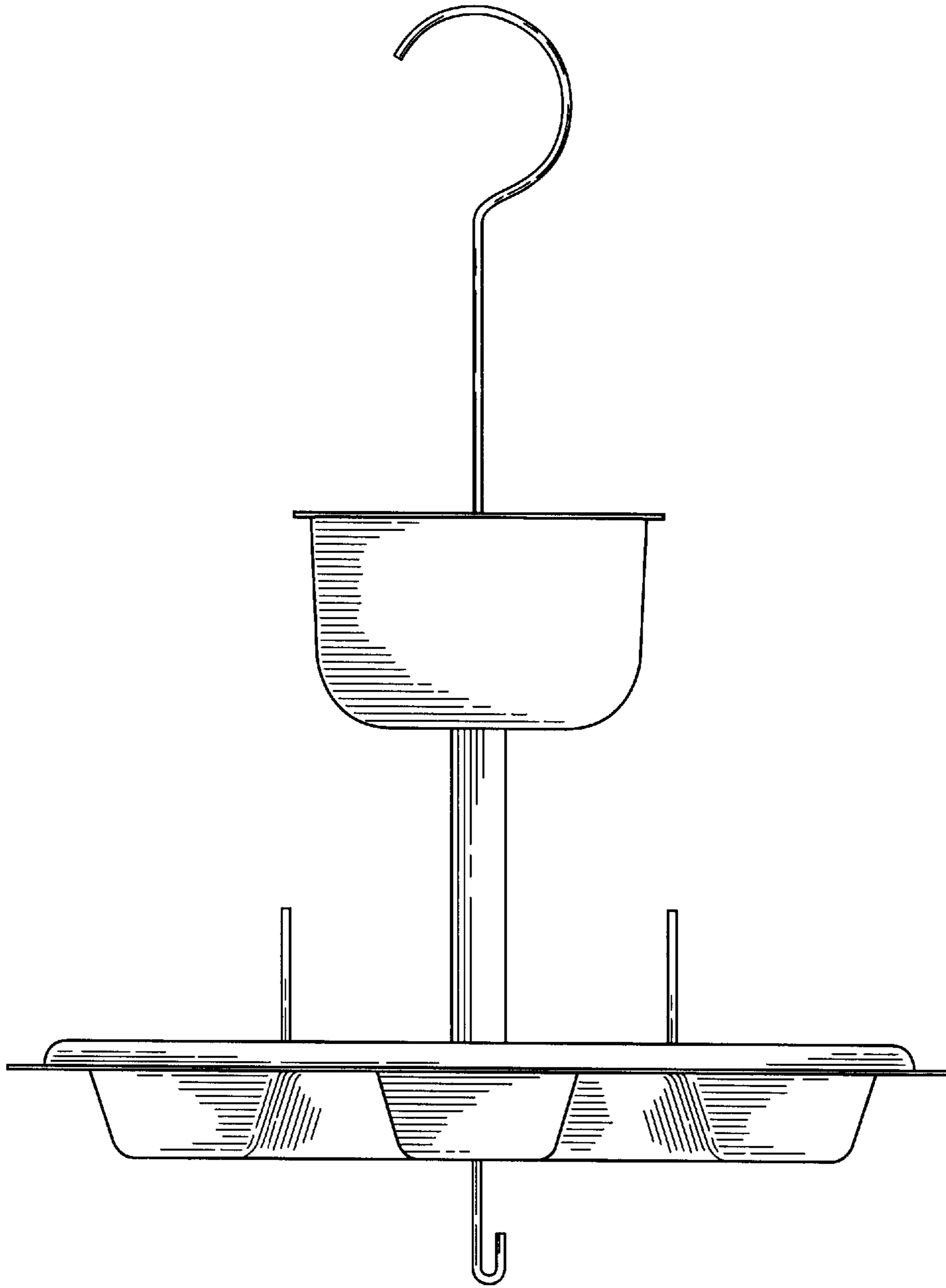


Fig. 4

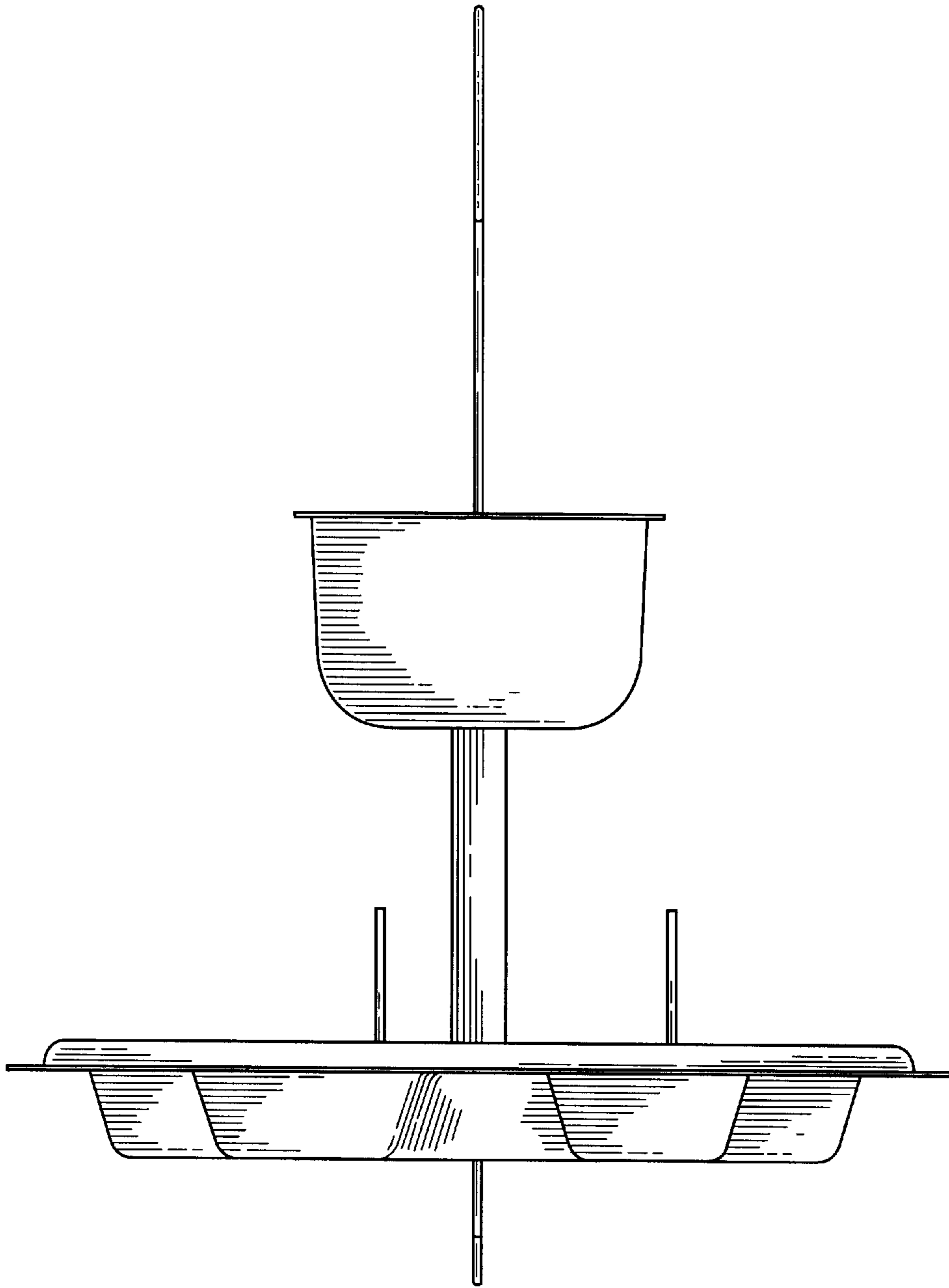


Fig. 5

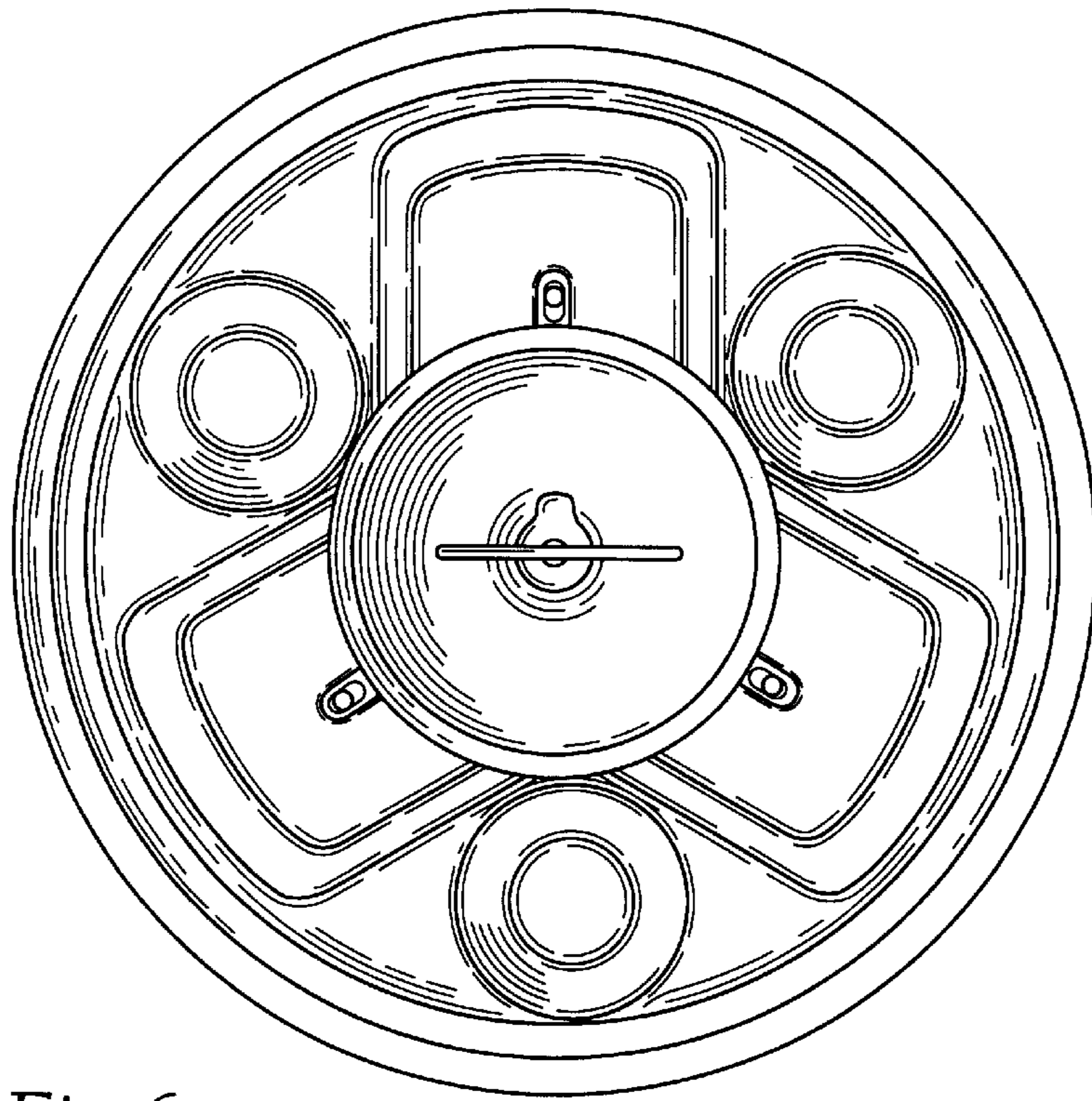


Fig. 6

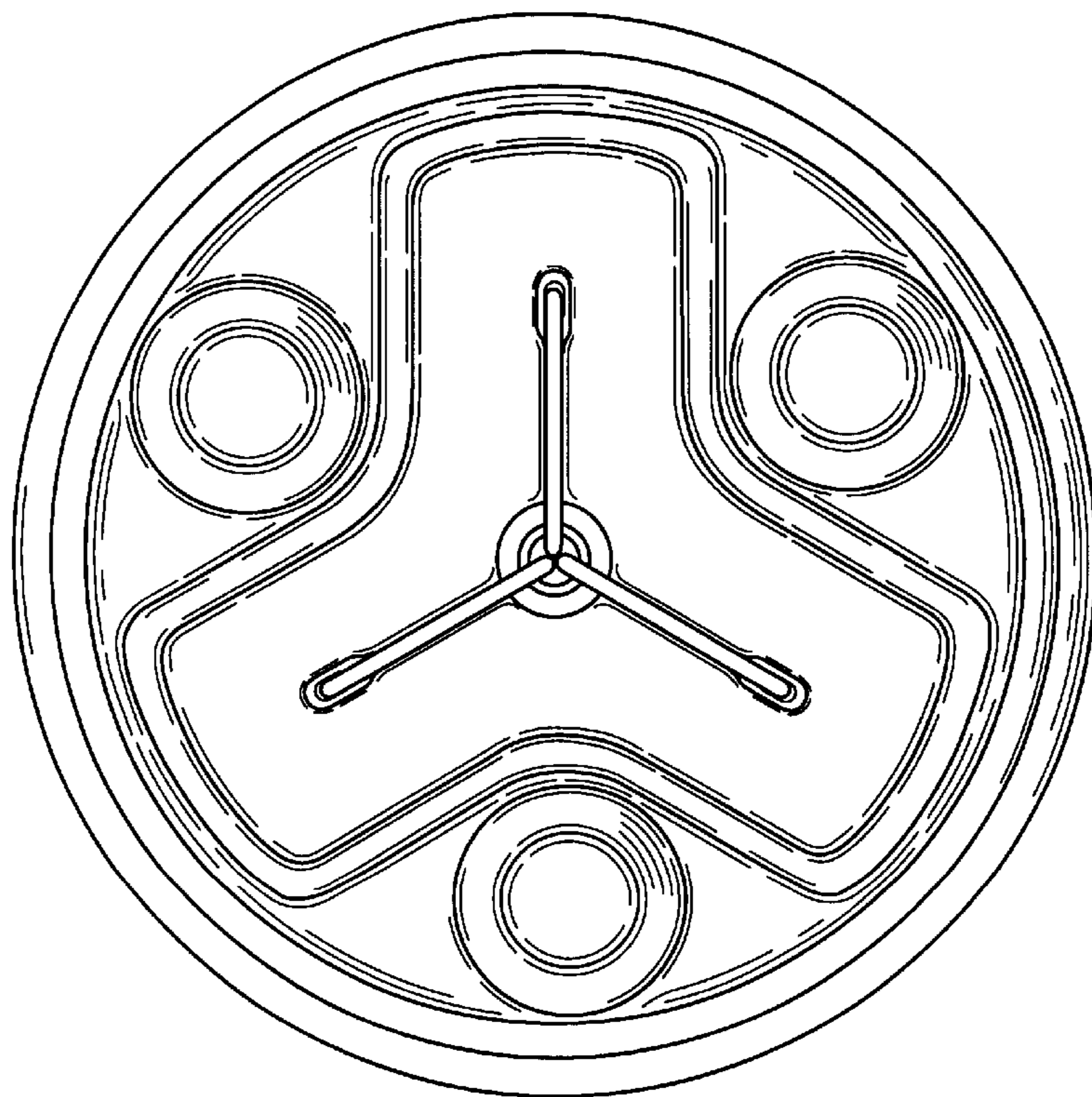


Fig. 7