



US00D490191S

(12) **United States Design Patent**
Mollohan et al.

(10) **Patent No.: US D490,191 S**

(45) **Date of Patent: ** May 18, 2004**

(54) **ANIMAL FEEDER INCLUDING A
BACKBOARD AND A VERTICALLY
ADJUSTABLE FEEDER DISH SUPPORT**

Primary Examiner—Lisa Lichtenstein
(74) *Attorney, Agent, or Firm*—Donald W. Margolis

(76) Inventors: **Dole Mollohan**, 3100 W. Rolling Hill
Cir., Apt. 208, Davie, FL (US) 33328;
Rick Wellner, 6780 NW. 44th Ct.,
Lauderhill, FL (US) 33319

(57) **CLAIM**

The ornamental design for an animal feeder including a backboard and a vertically adjustable feeder dish support, as shown and described.

(**) Term: **14 Years**

DESCRIPTION

(21) Appl. No.: **29/182,509**

FIG. 1 is a front elevational view of an animal feeder including a backboard and a vertically adjustable feeder dish support showing our new design;

(22) Filed: **May 28, 2003**

FIG. 2 is a rear elevational view thereof;

(51) **LOC (7) Cl.** **30-07**

FIG. 3 is a bottom plan view thereof;

(52) **U.S. Cl.** **D30/121**

FIG. 4 is a top plan view thereof;

(58) **Field of Search** D30/121–122,
D30/129–133; 119/61, 51.11, 51.5, 74,
7.7, 70, 77, 52.1

FIG. 5 is a right side elevational view thereof, the left side elevational view being a mirror image thereof;

(56) **References Cited**

FIG. 6 is an upper right side perspective view thereof; and,

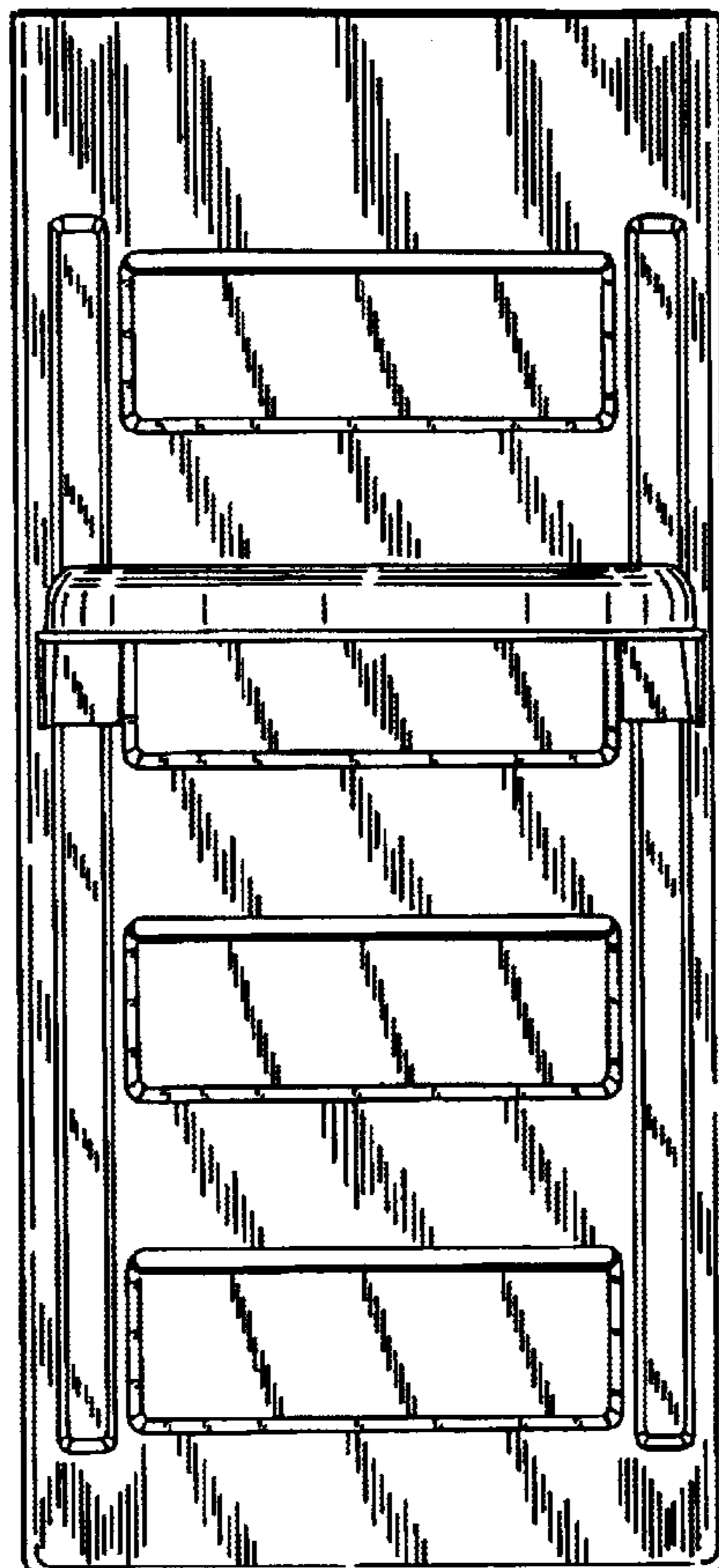
U.S. PATENT DOCUMENTS

FIG. 7 is an exploded upper right side perspective view thereof, similar to FIG. 6 and showing the feeder dish support separated from the backboard, and indicating the several positions at which the feeder dish support may be located on the backboard.

- 5,054,431 A * 10/1991 Coviello 119/61
- D406,924 S * 3/1999 Kolozsvari D30/121
- 6,145,474 A * 11/2000 Lemkin 119/61

* cited by examiner

1 Claim, 2 Drawing Sheets



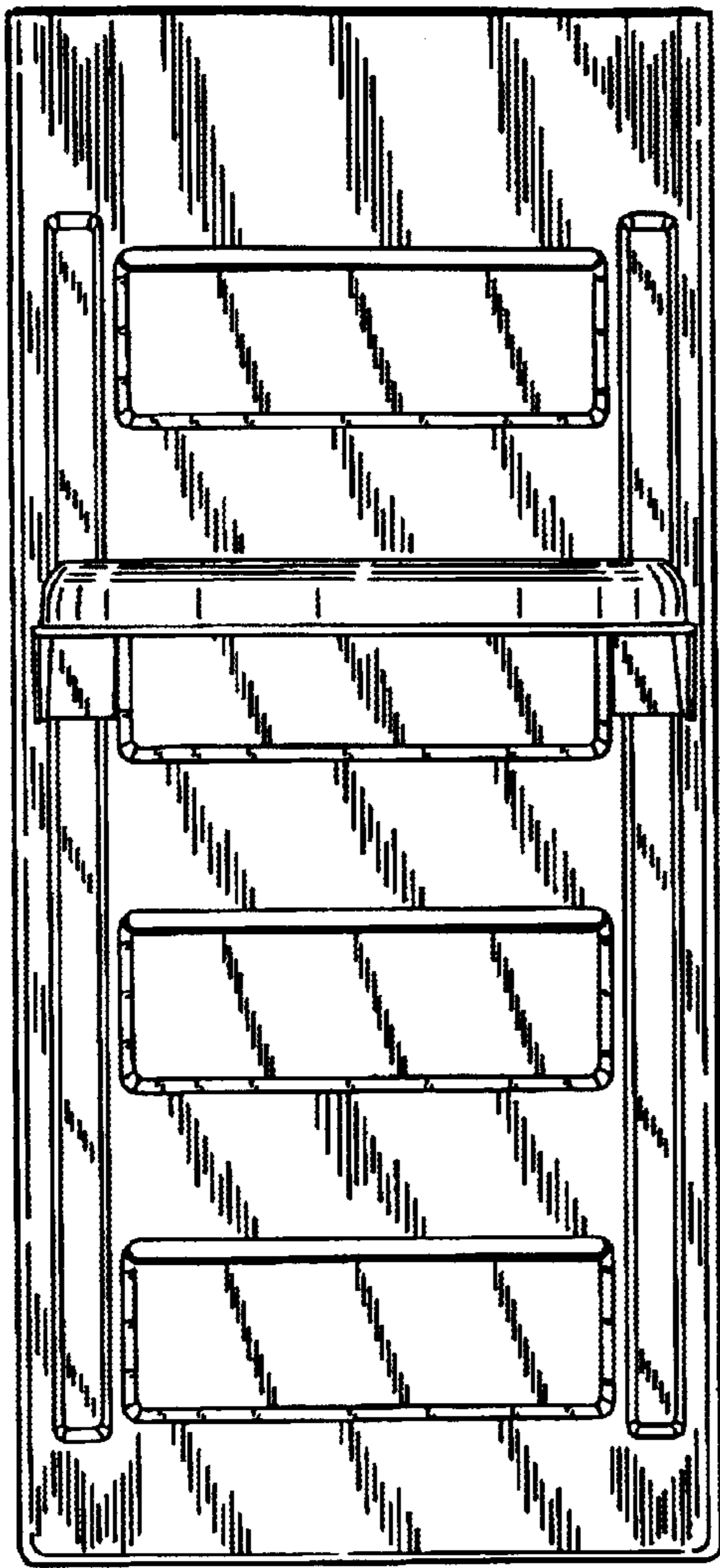


FIG. 1

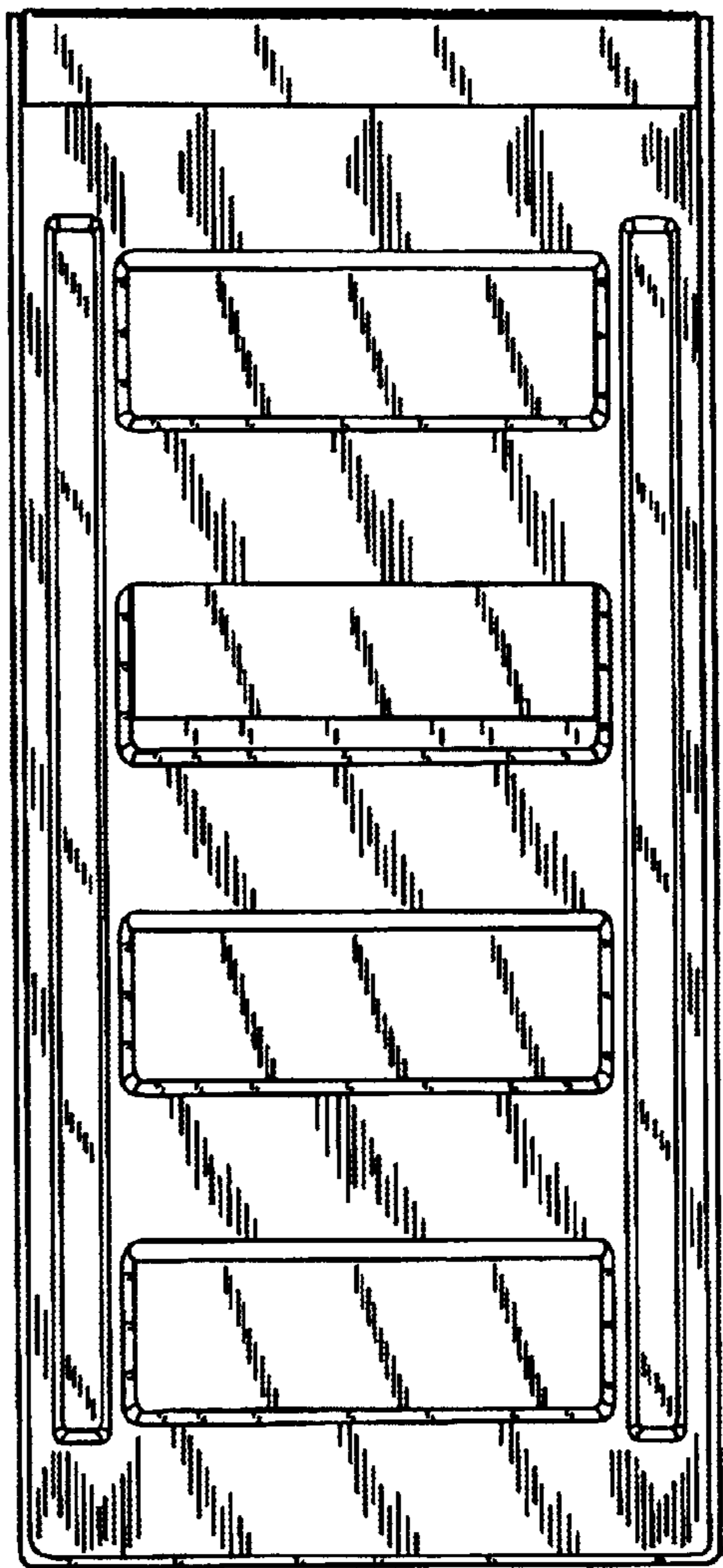


FIG. 2

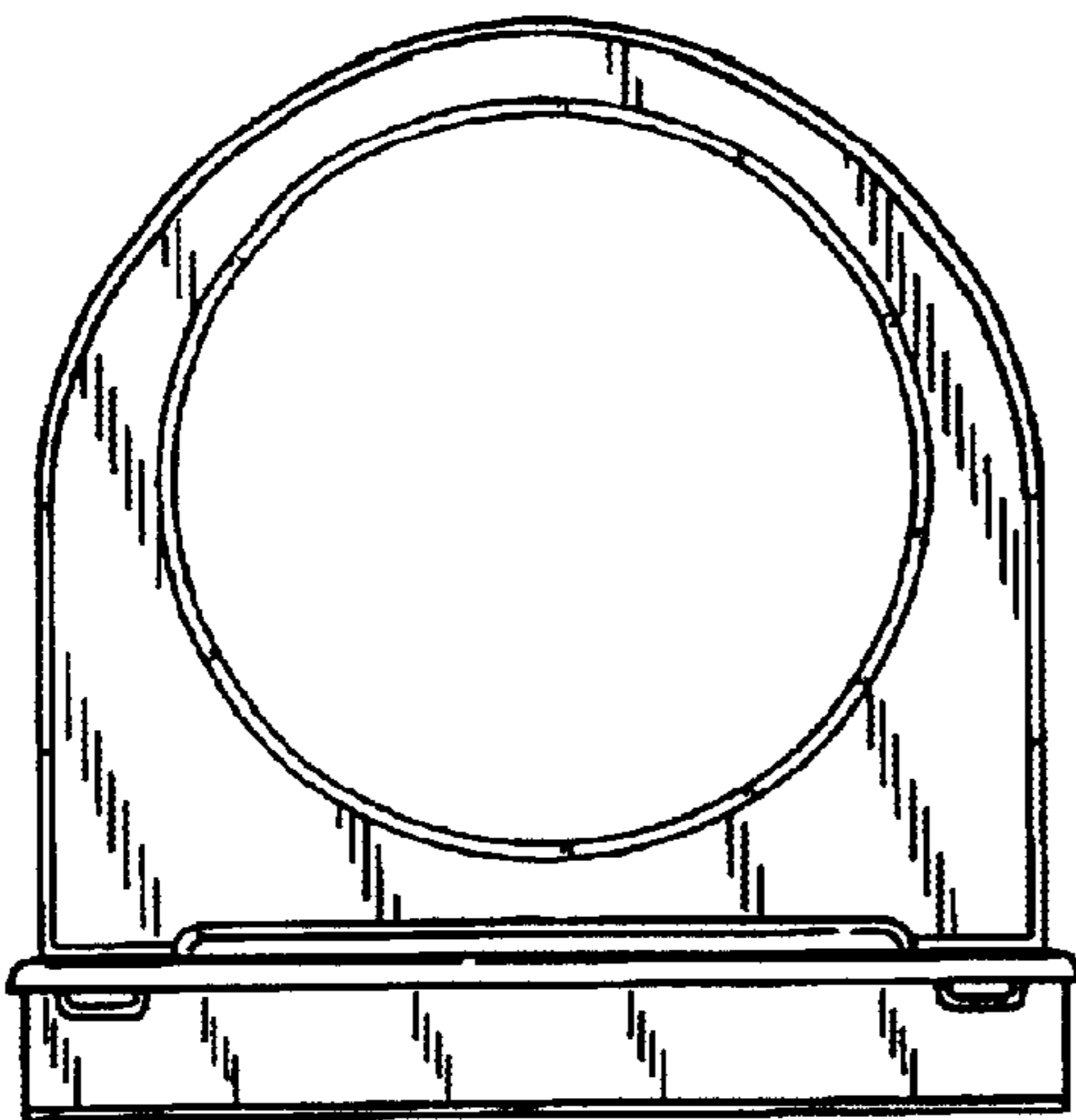


FIG. 3

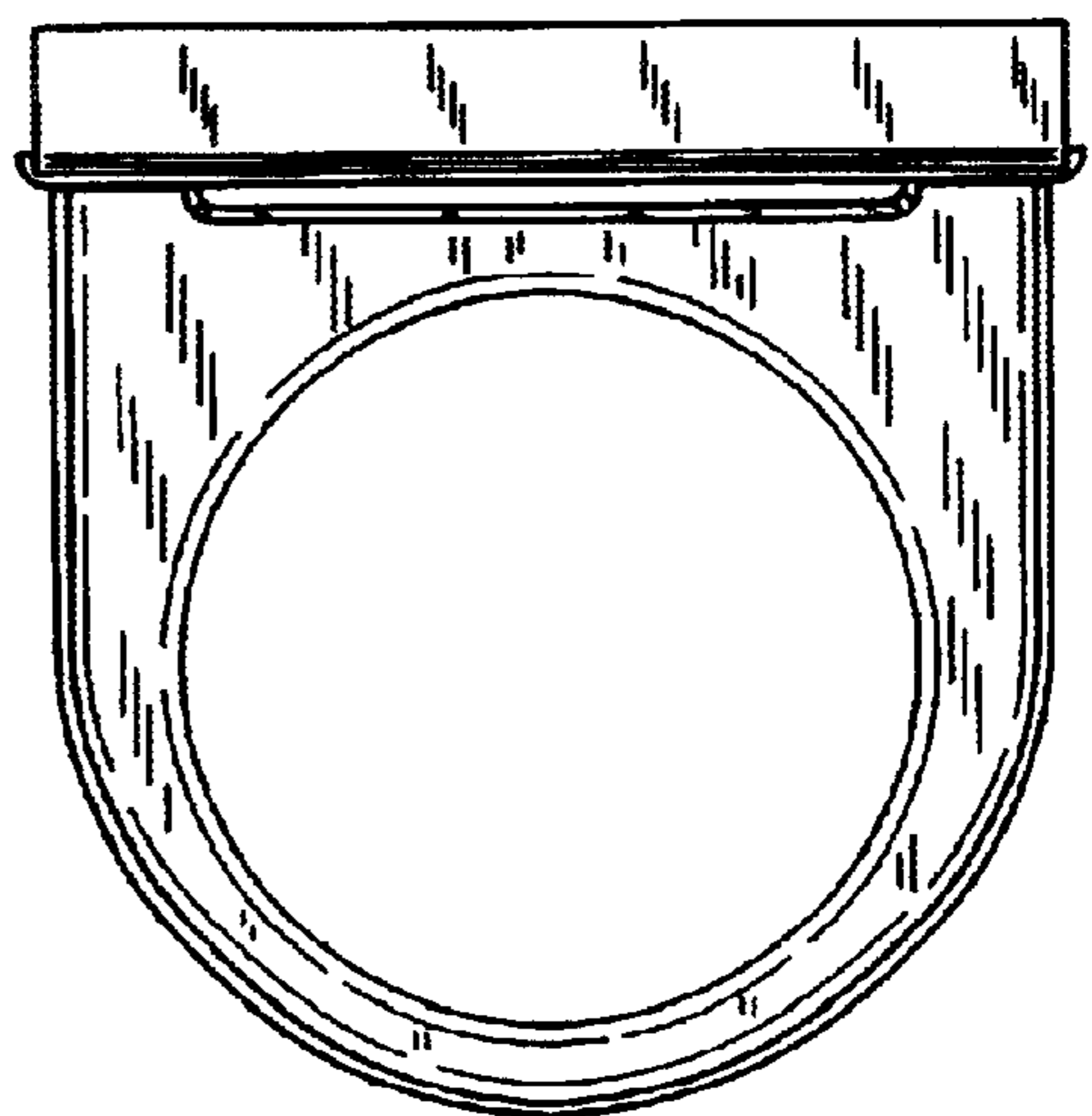


FIG. 4

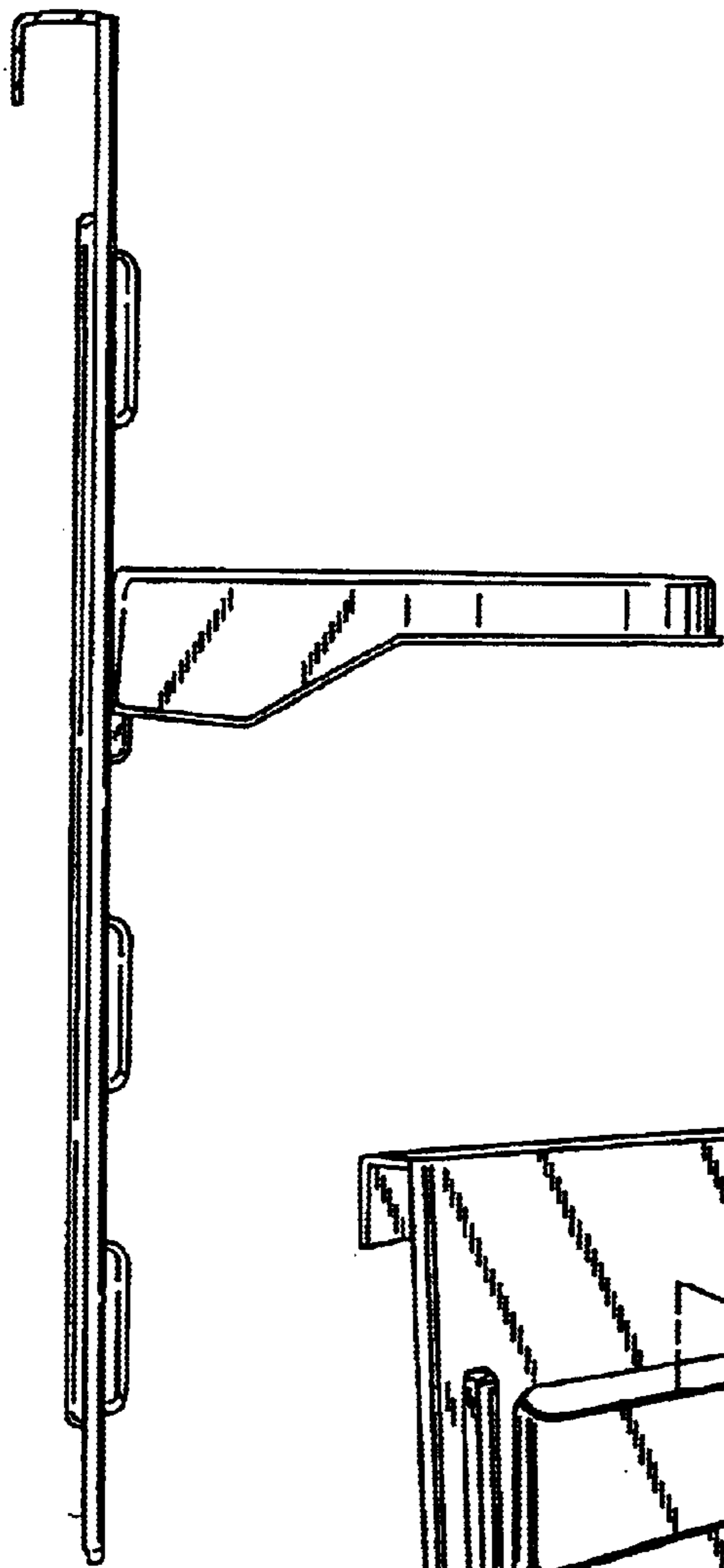


FIG. 5

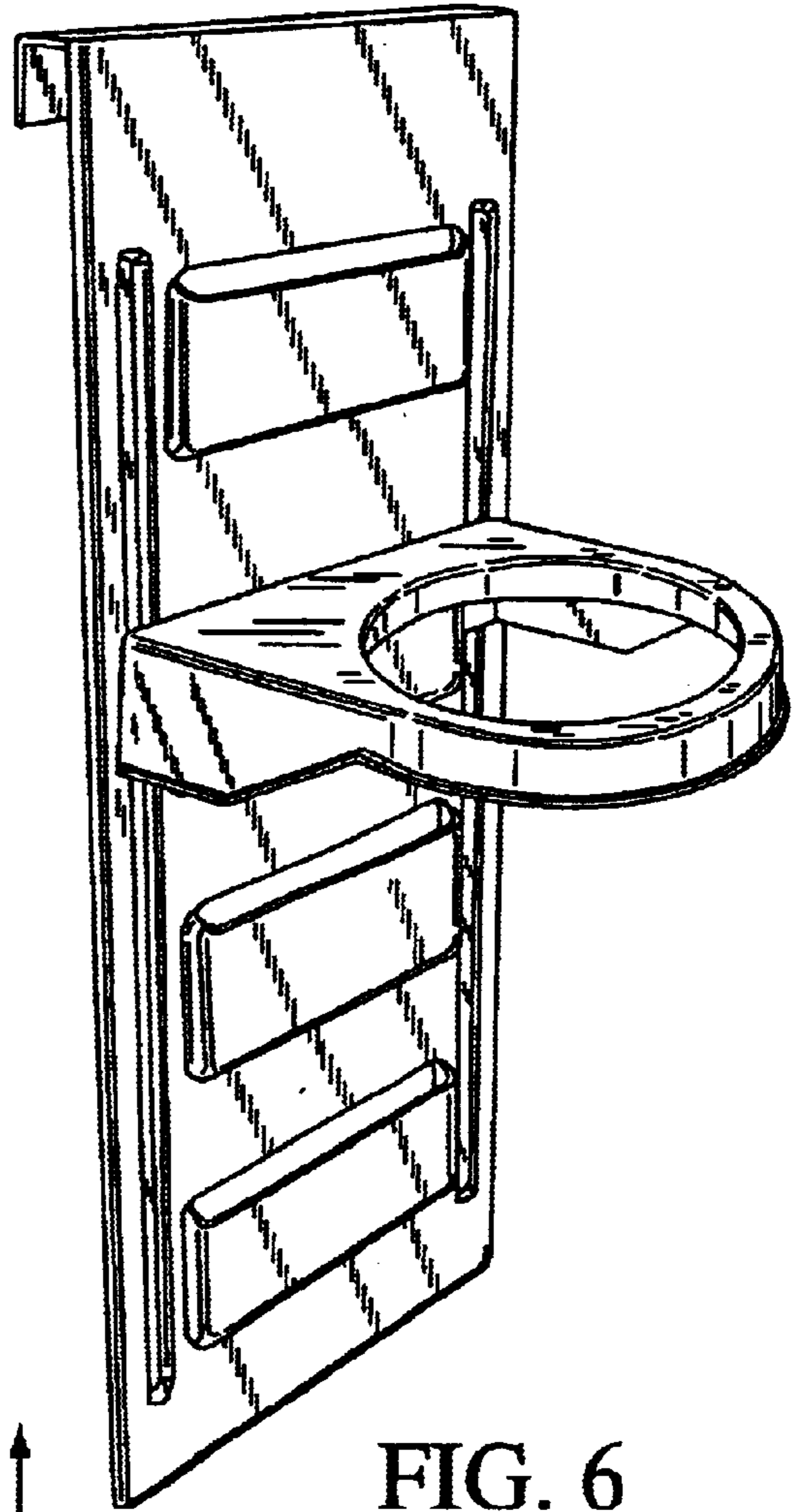


FIG. 6

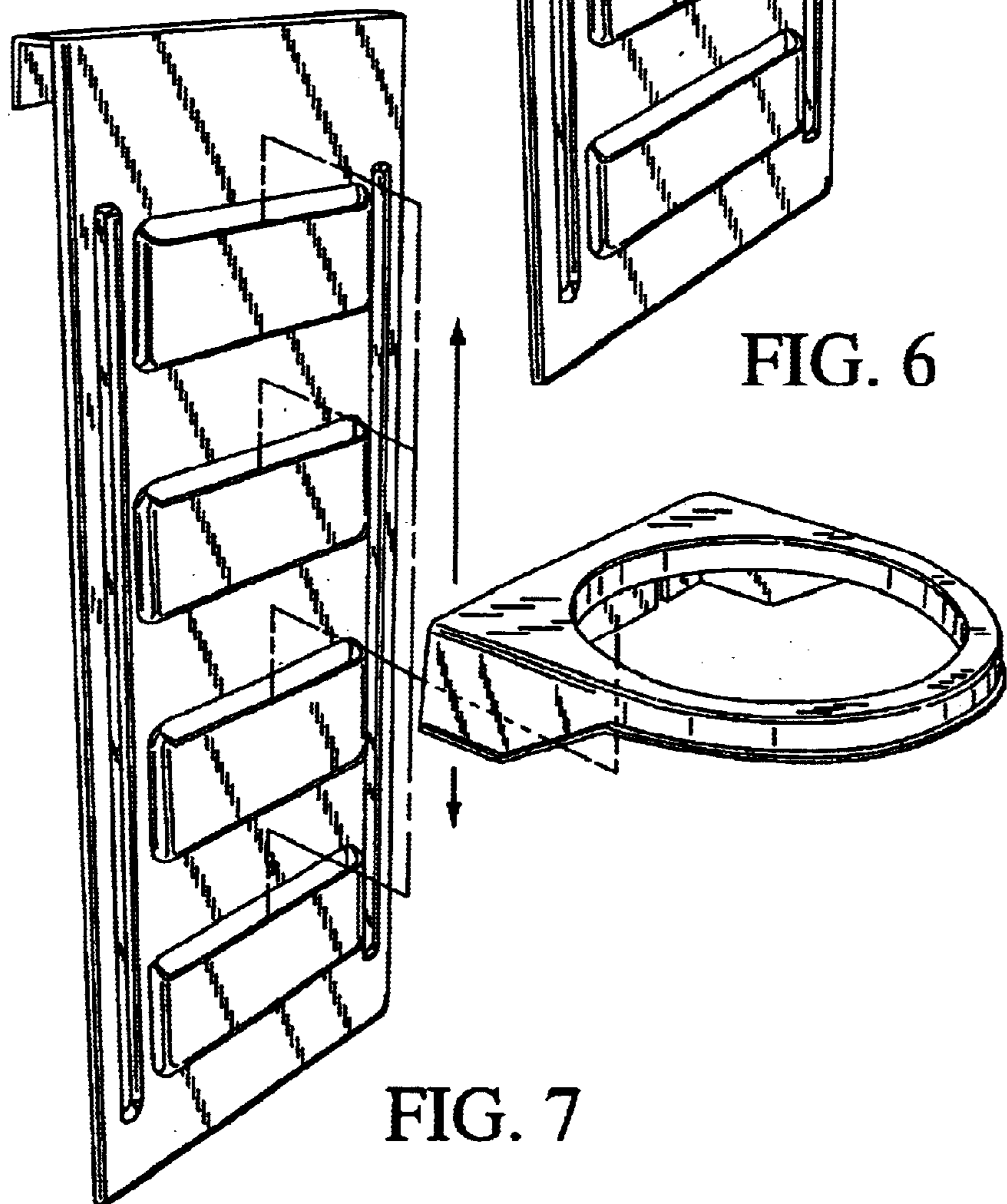


FIG. 7