



US00D490188S

(12) **United States Design Patent**
Fowler et al.

(10) **Patent No.:** **US D490,188 S**

(45) **Date of Patent:** **** May 18, 2004**

(54) **FINGER TIP CLIP APPLIER**

(75) Inventors: **David N. Fowler**, Raleigh, NC (US);
James D. Segermark, Gem Lake, MN
(US); **Christopher J. Herman**, White
Bear Lake, MN (US)

(73) Assignee: **Pilling Weck Incorporated**, Limerick,
PA (US)

(**) Term: **14 Years**

5,047,038 A	9/1991	Peters et al.	606/139
5,062,846 A	11/1991	Oh et al.	606/158
5,100,416 A	3/1992	Oh et al.	606/139
5,112,343 A	5/1992	Thornton	606/143
5,403,327 A	4/1995	Thornton et al.	606/143
5,435,329 A *	7/1995	Heck et al.	132/73
D361,156 S *	8/1995	Billings	D28/57
5,509,920 A	4/1996	Phillips et al.	606/157
5,527,320 A	6/1996	Carruthers et al.	606/143
5,634,930 A	6/1997	Thornton et al.	606/143
6,105,217 A *	8/2000	Caradine et al.	24/501
6,391,035 B1	5/2002	Appleby et al.	606/142

(21) Appl. No.: **29/166,474**
(22) Filed: **Aug. 28, 2002**
(51) **LOC (7) Cl.** **28-03**
(52) **U.S. Cl.** **D28/57**
(58) **Field of Search** D28/57; 132/73;
24/489, 501, 513, 521

* cited by examiner

Primary Examiner—Jennifer Rivard
(74) *Attorney, Agent, or Firm*—Jenkins, Wilson & Taylor,
P.A.

(57) **CLAIM**

The ornamental design for a finger tip clip applier, as shown and described.

(56) **References Cited**

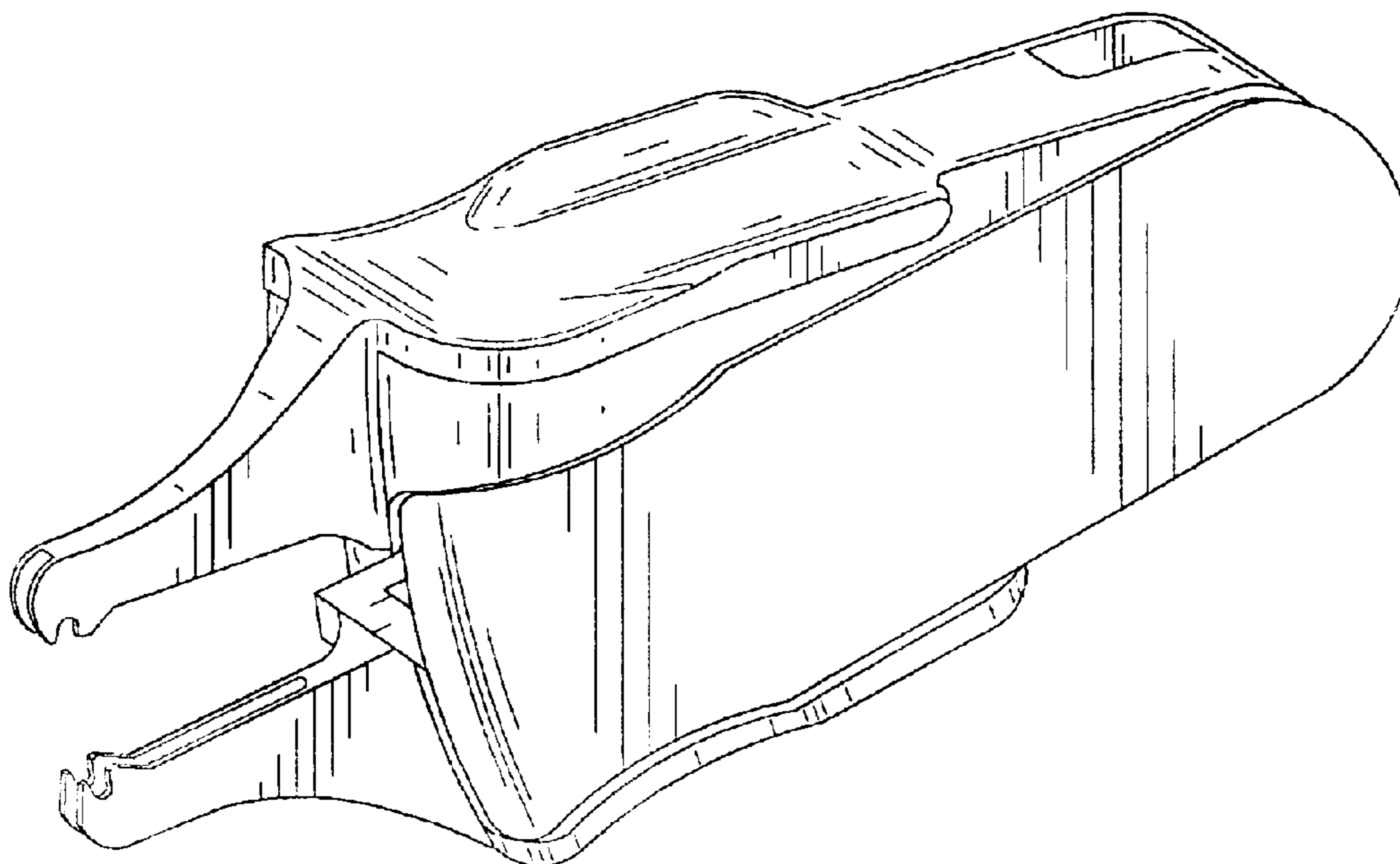
U.S. PATENT DOCUMENTS

3,270,745 A	9/1966	Wood	128/325
3,326,216 A	6/1967	Wood	128/325
3,439,522 A	4/1969	Wood	72/410
3,439,523 A	4/1969	Wood	72/410
4,146,130 A	3/1979	Samuels et al.	206/340
4,375,866 A	3/1983	Giersch et al.	227/19
4,509,518 A	4/1985	McGarry et al.	128/325
4,646,740 A	3/1987	Peters et al.	128/325
4,662,555 A	5/1987	Thornton	227/19
4,834,096 A	5/1989	Oh et al.	128/325
5,038,991 A	8/1991	Thornton	227/19

DESCRIPTION

FIG. 1 is a perspective view of a finger tip clip applier showing our new design;
FIG. 2 is a top plan view thereof and wherein the bottom plan view is a mirror image thereof;
FIG. 3 is a rear end view thereof;
FIG. 4 is a left side view thereof and the right side view is an inverted mirror image thereof; and,
FIG. 5 is a front end view thereof.

1 Claim, 5 Drawing Sheets



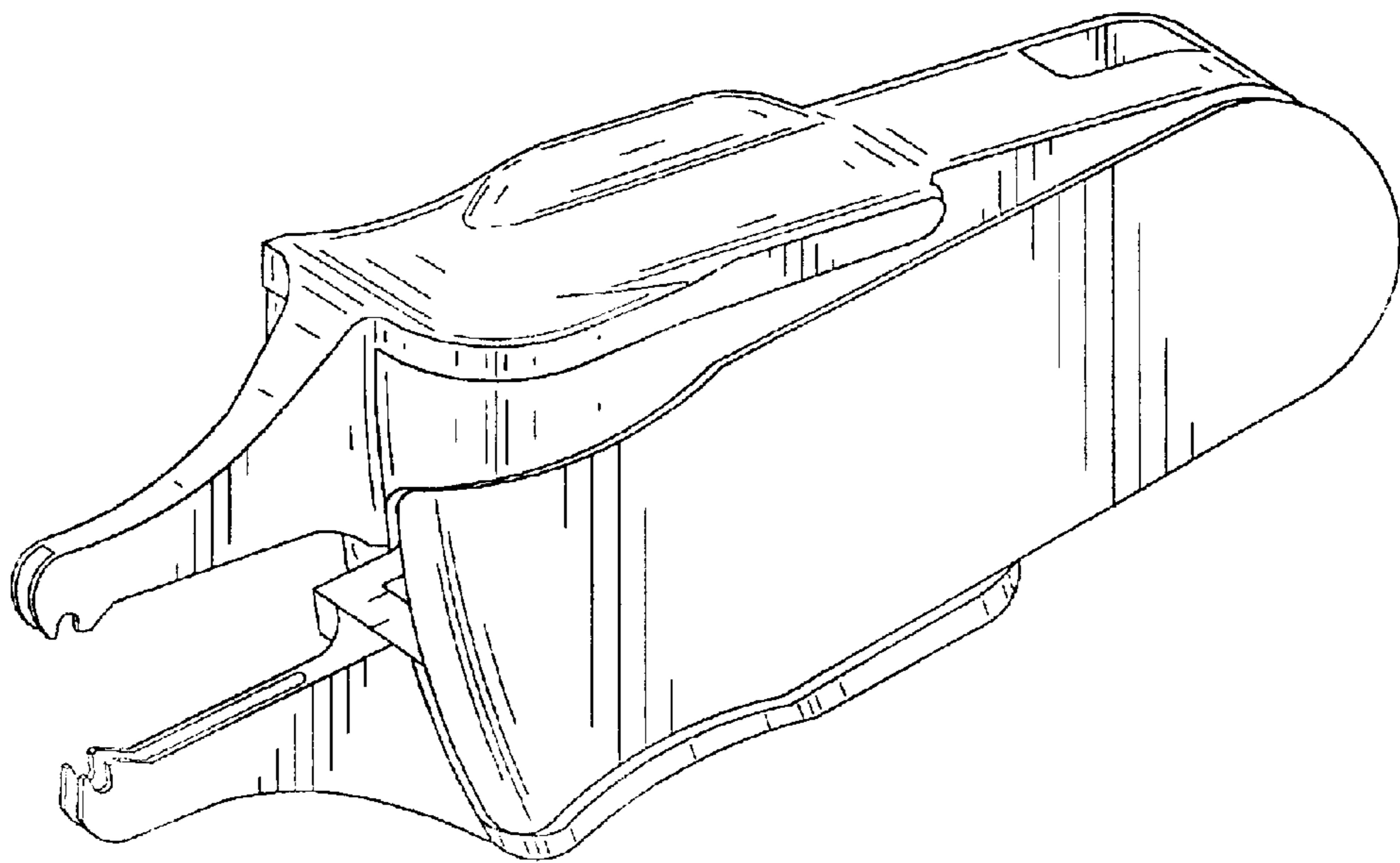


FIG. 1

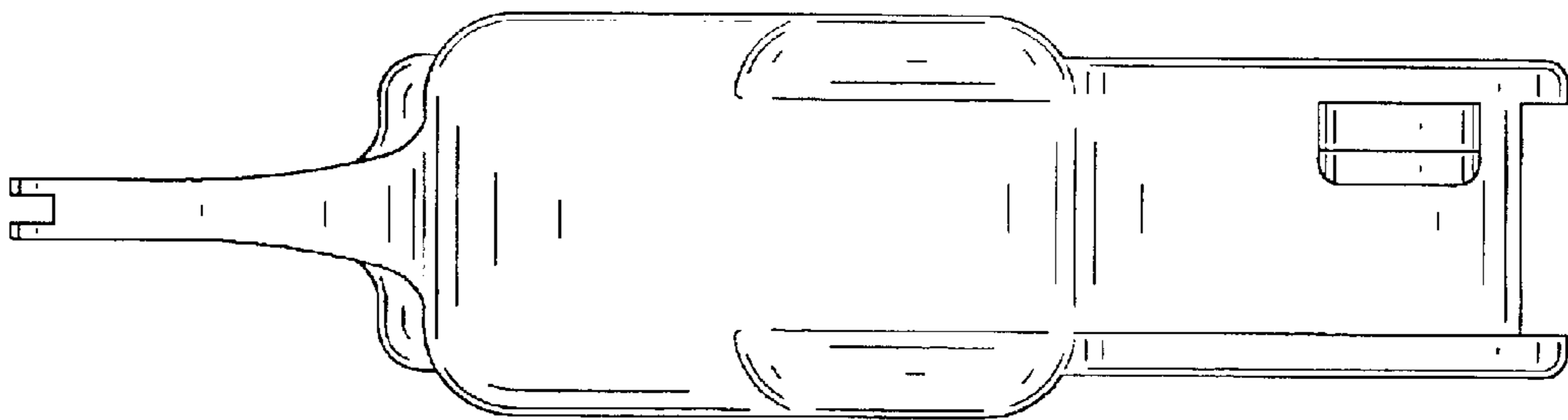


FIG. 2

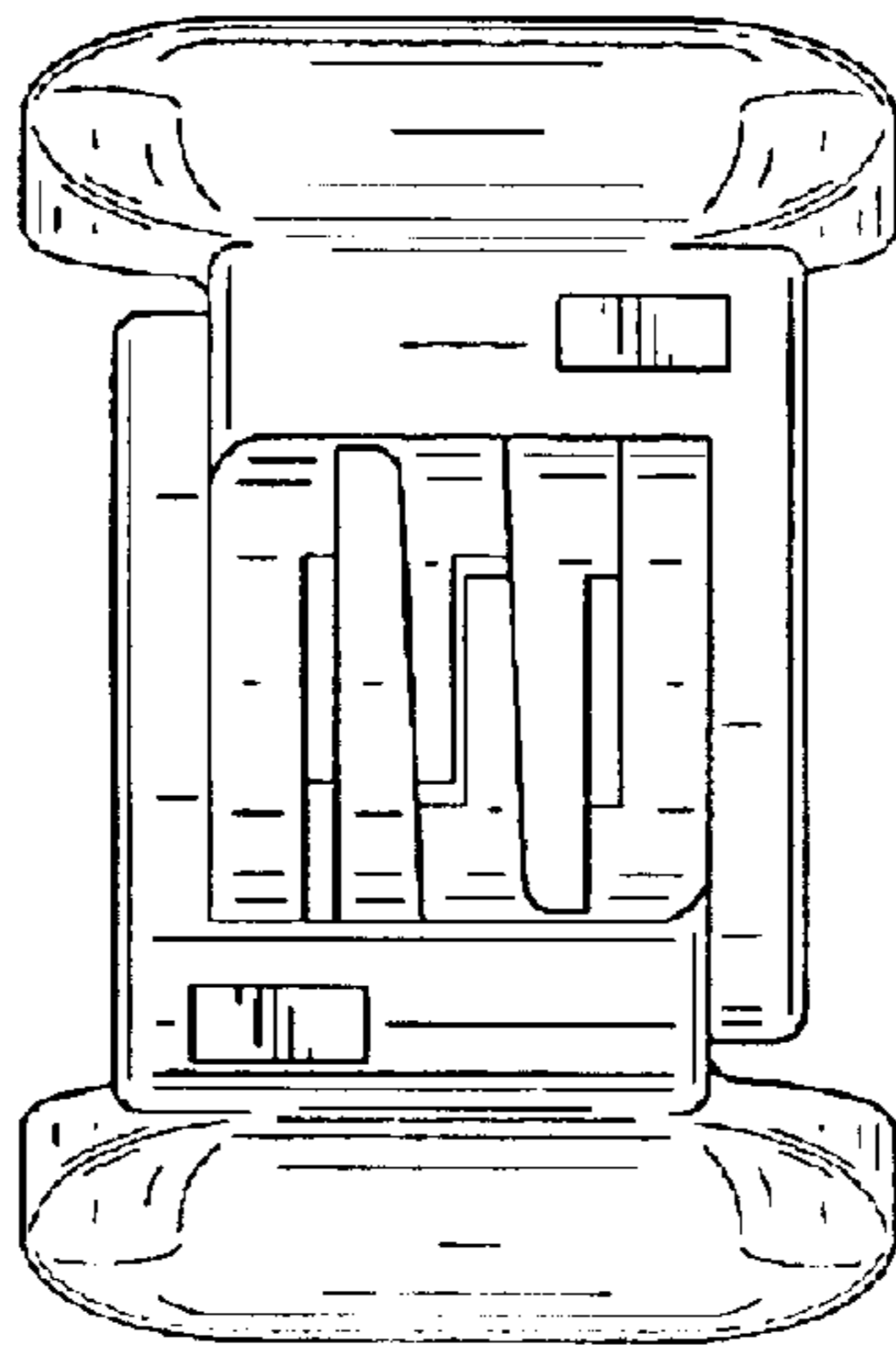


FIG. 3

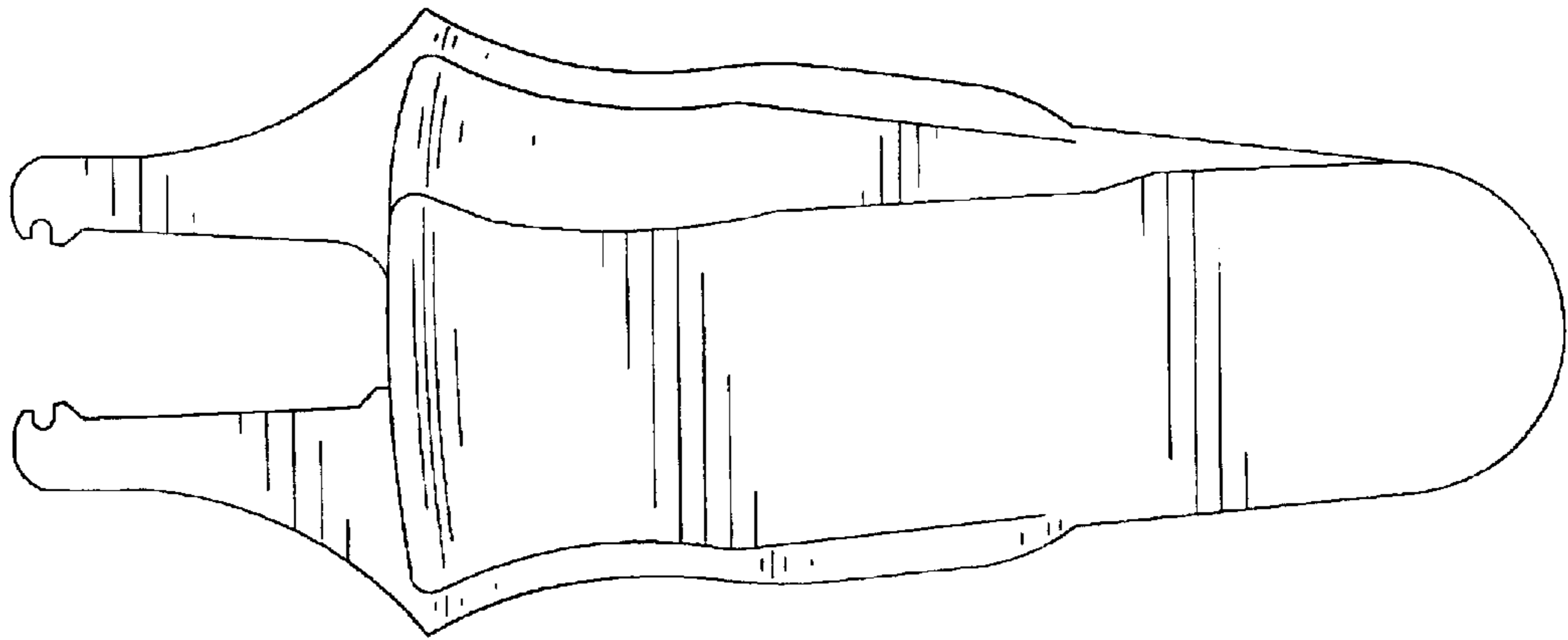


FIG. 4

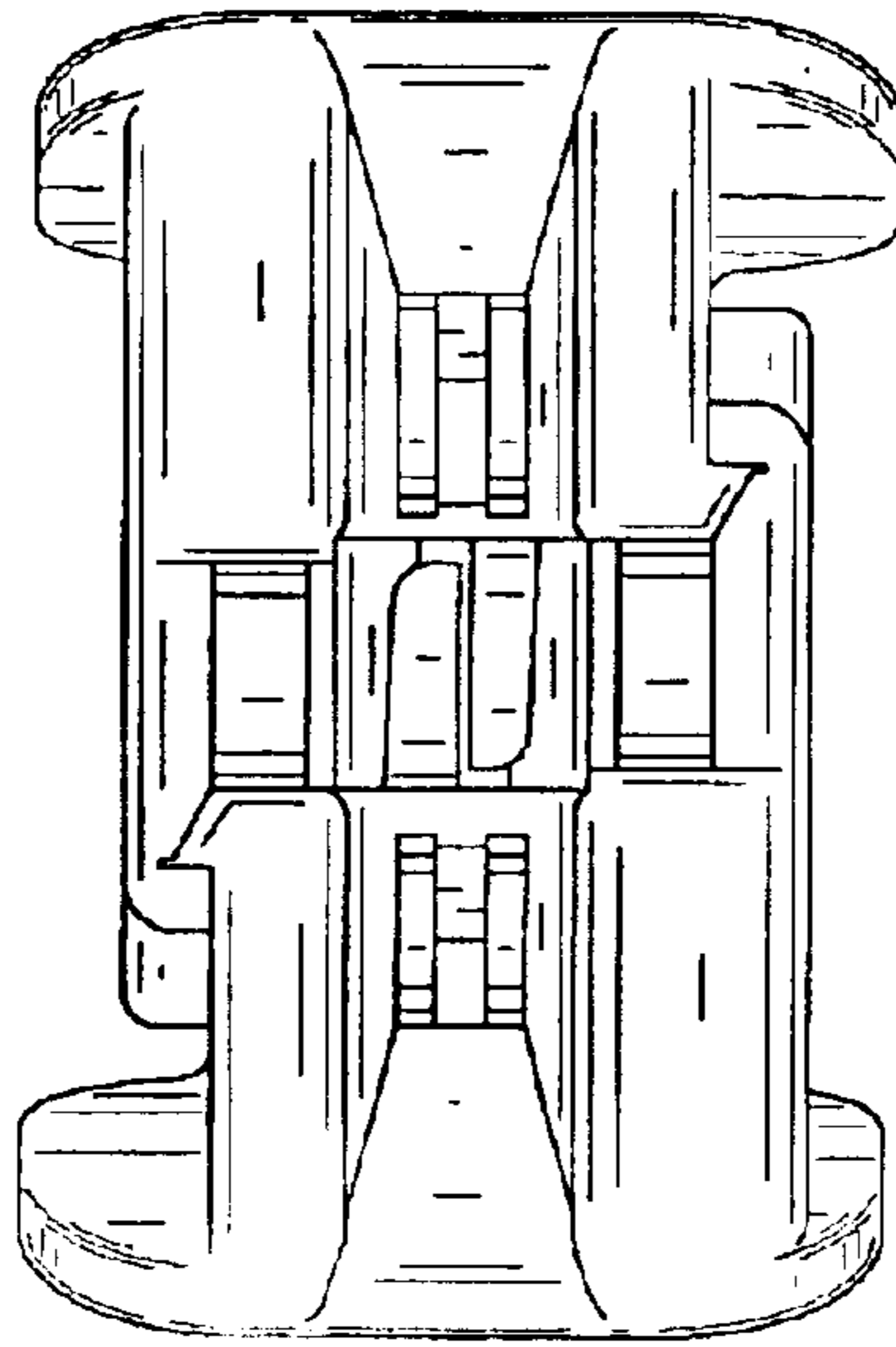


FIG. 5