



US00D490187S

(12) **United States Design Patent**
Micinilio

(10) **Patent No.:** **US D490,187 S**

(45) **Date of Patent:** **** May 18, 2004**

(54) **LOCKING CARRYING/STORAGE CASE FOR HAIR ROLLERS**

D392,414 S * 3/1998 Smal D28/38
6,084,211 A * 7/2000 Bauer 219/222

(75) Inventor: **Gregg A. Micinilio**, Trumbull, CT (US)

* cited by examiner

(73) Assignee: **Remington Corporation, E.L.C.**,
Bridgeport, CT (US)

Primary Examiner—Jennifer Rivard
(74) *Attorney, Agent, or Firm*—Melvin I. Stoltz

(**) Term: **14 Years**

(57) **CLAIM**

(21) Appl. No.: **29/173,937**

The ornamental design for the locking carrying/storage case for hair rollers, as shown and described.

(22) Filed: **Jan. 7, 2003**

DESCRIPTION

(51) **LOC (7) Cl.** **28-03**

(52) **U.S. Cl.** **D28/38**

(58) **Field of Search** D28/35, 37, 38;
219/222, 225, 226; 132/223–229, 269, 271

FIG. 1 is a perspective view of the locking carrying/storage case for hair rollers showing my new design;
FIG. 2 is a front elevational view thereof;
FIG. 3 is a side elevational view thereof, the opposite side being a mirror image thereof;
FIG. 4 is a top plan view thereof;
FIG. 5 is a bottom plan view thereof; and,
FIG. 6 is a rear elevational view thereof.

(56) **References Cited**

U.S. PATENT DOCUMENTS

4,584,462 A * 4/1986 Morrison 219/222
4,658,114 A * 4/1987 Hong 219/222
5,309,930 A * 5/1994 Presser 132/227

The broken line environmental showing is for illustrative purposes only and forms no part of the claimed design.

1 Claim, 3 Drawing Sheets

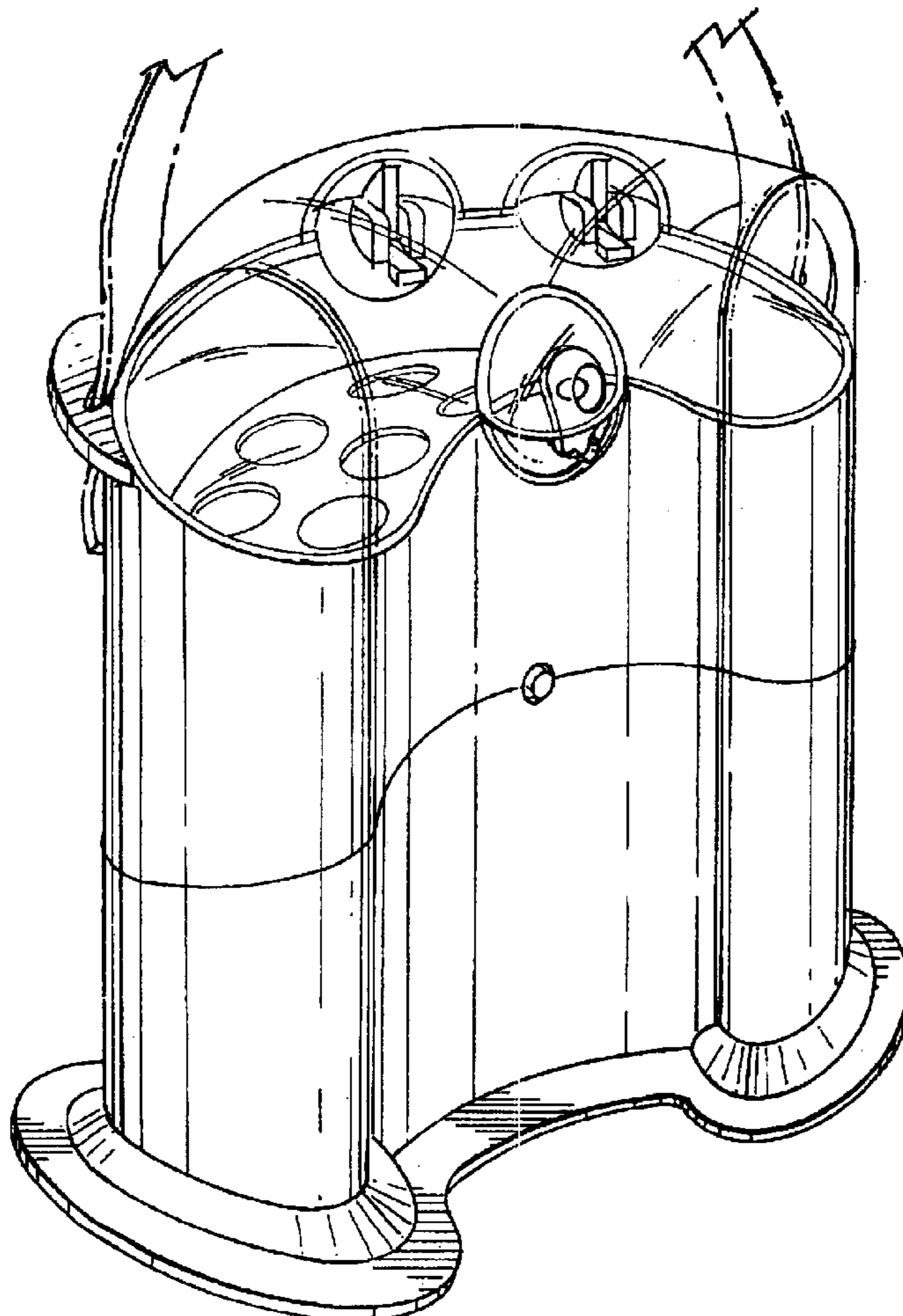


FIG. 1

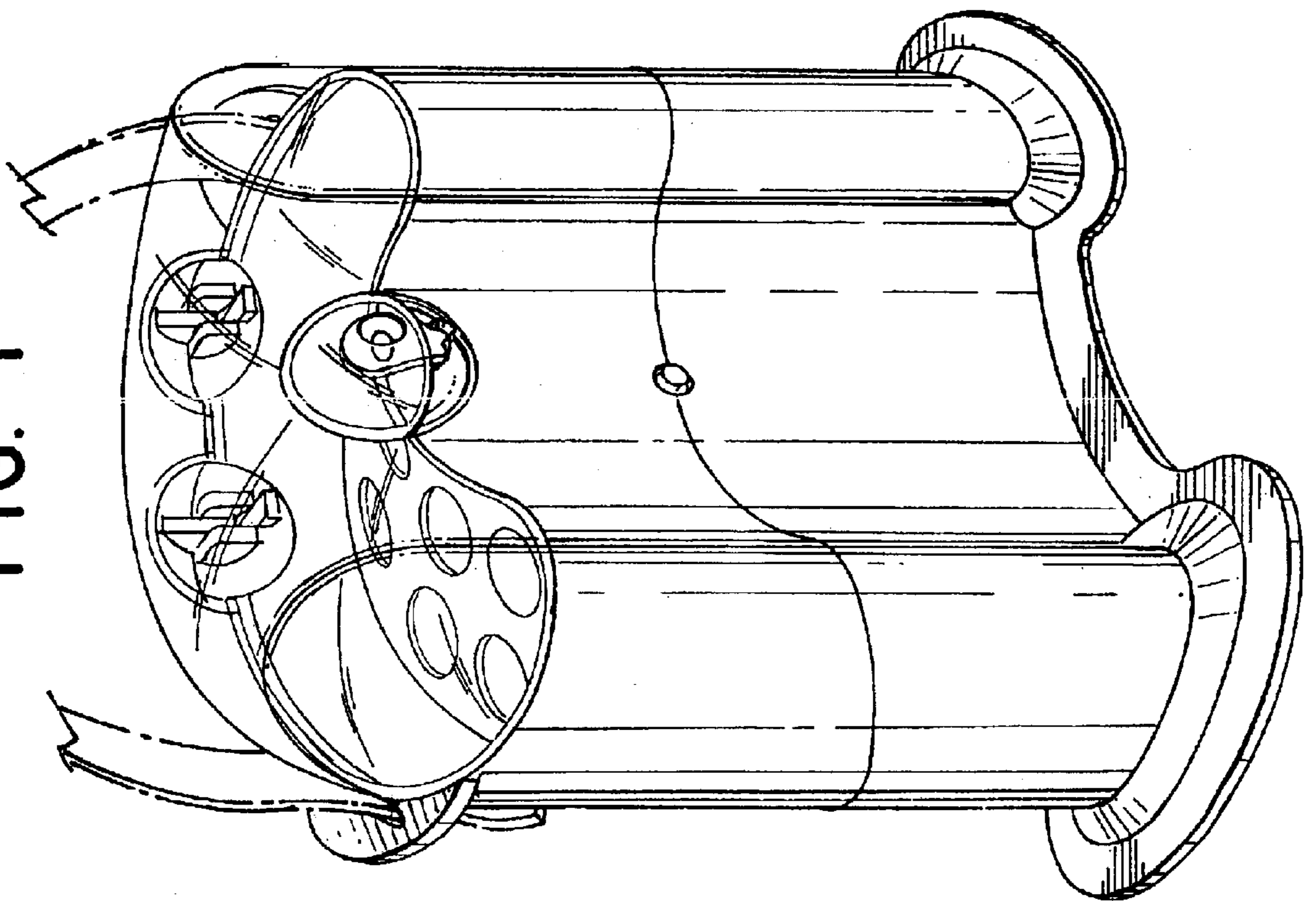


FIG. 3

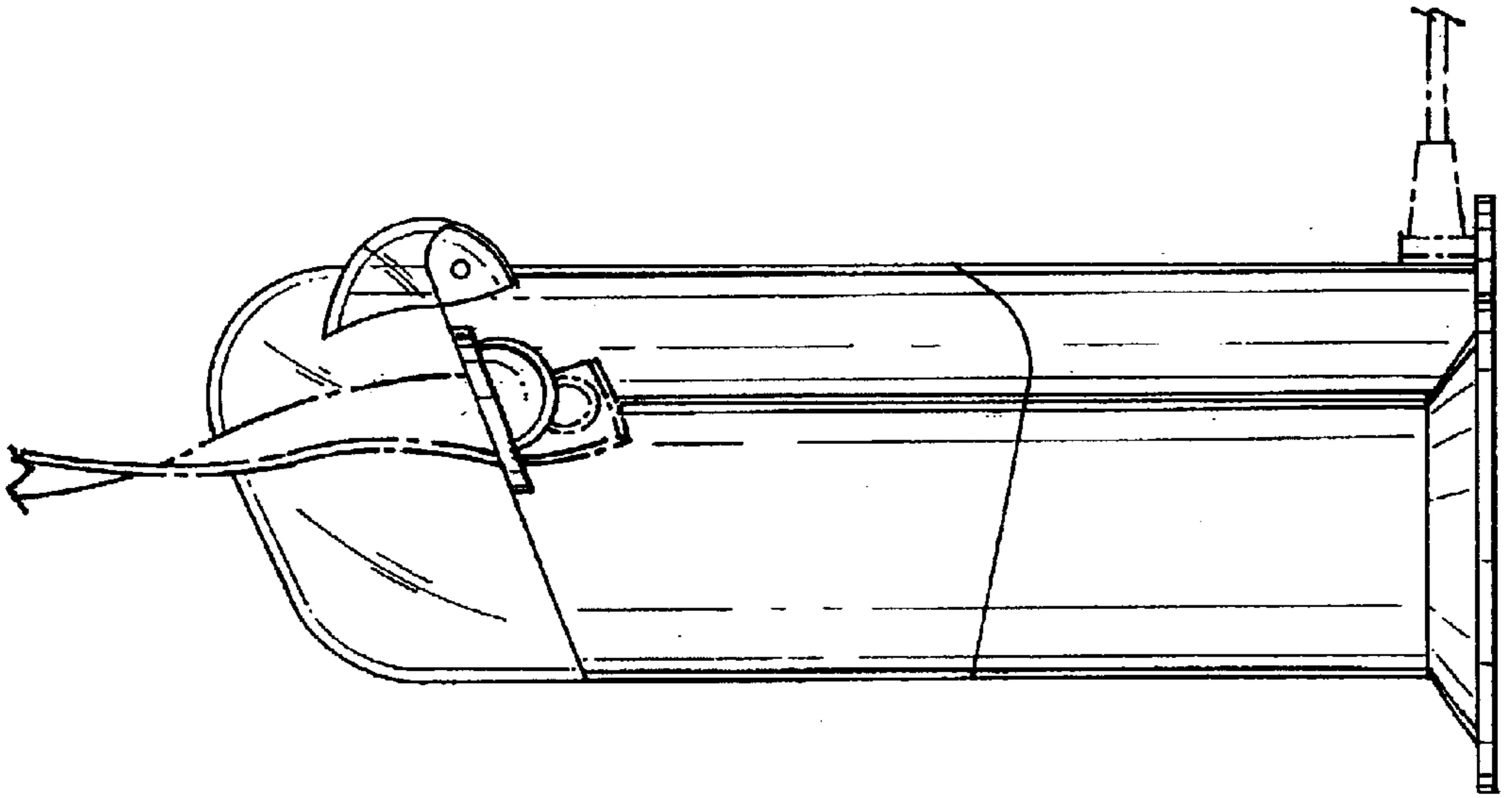


FIG. 2

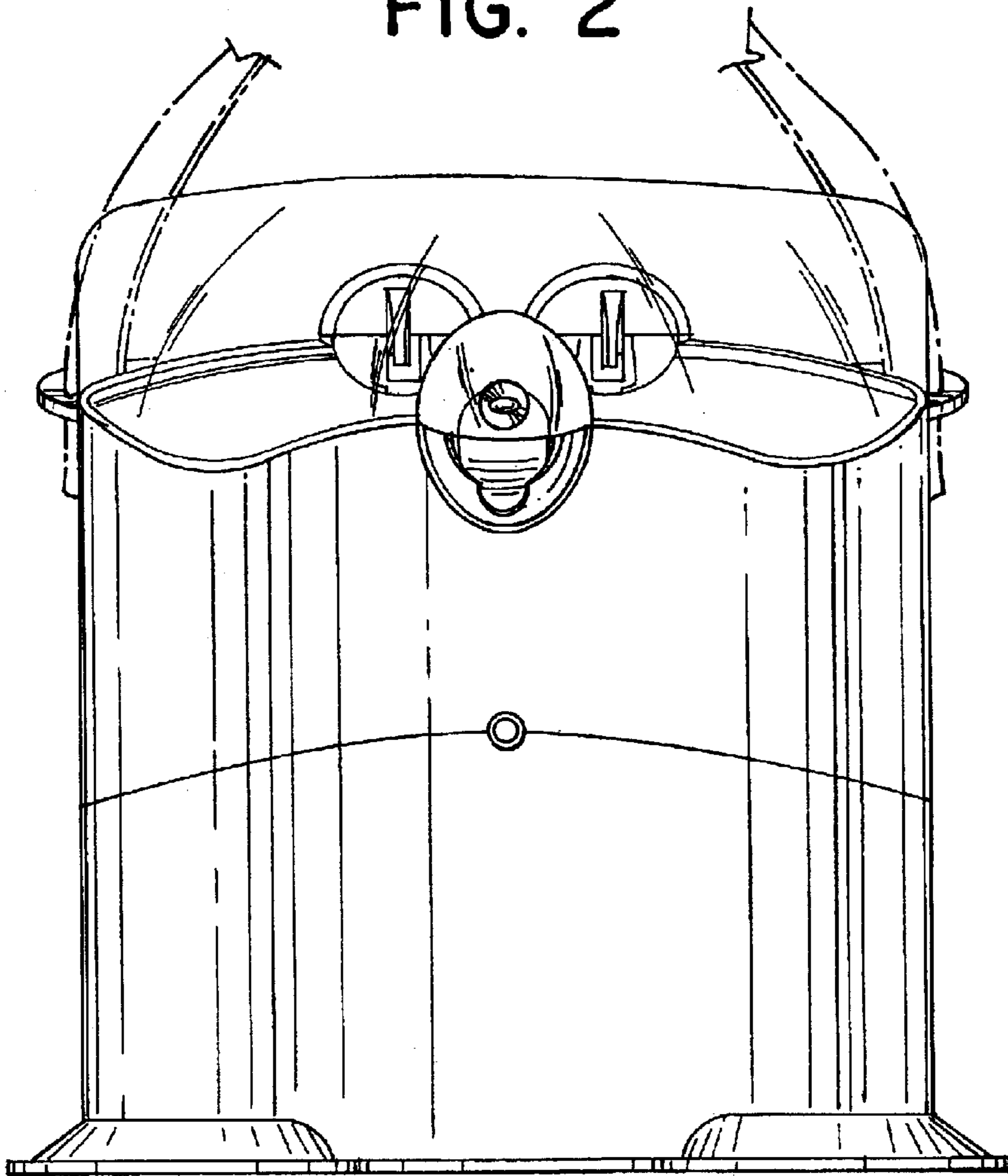


FIG. 4

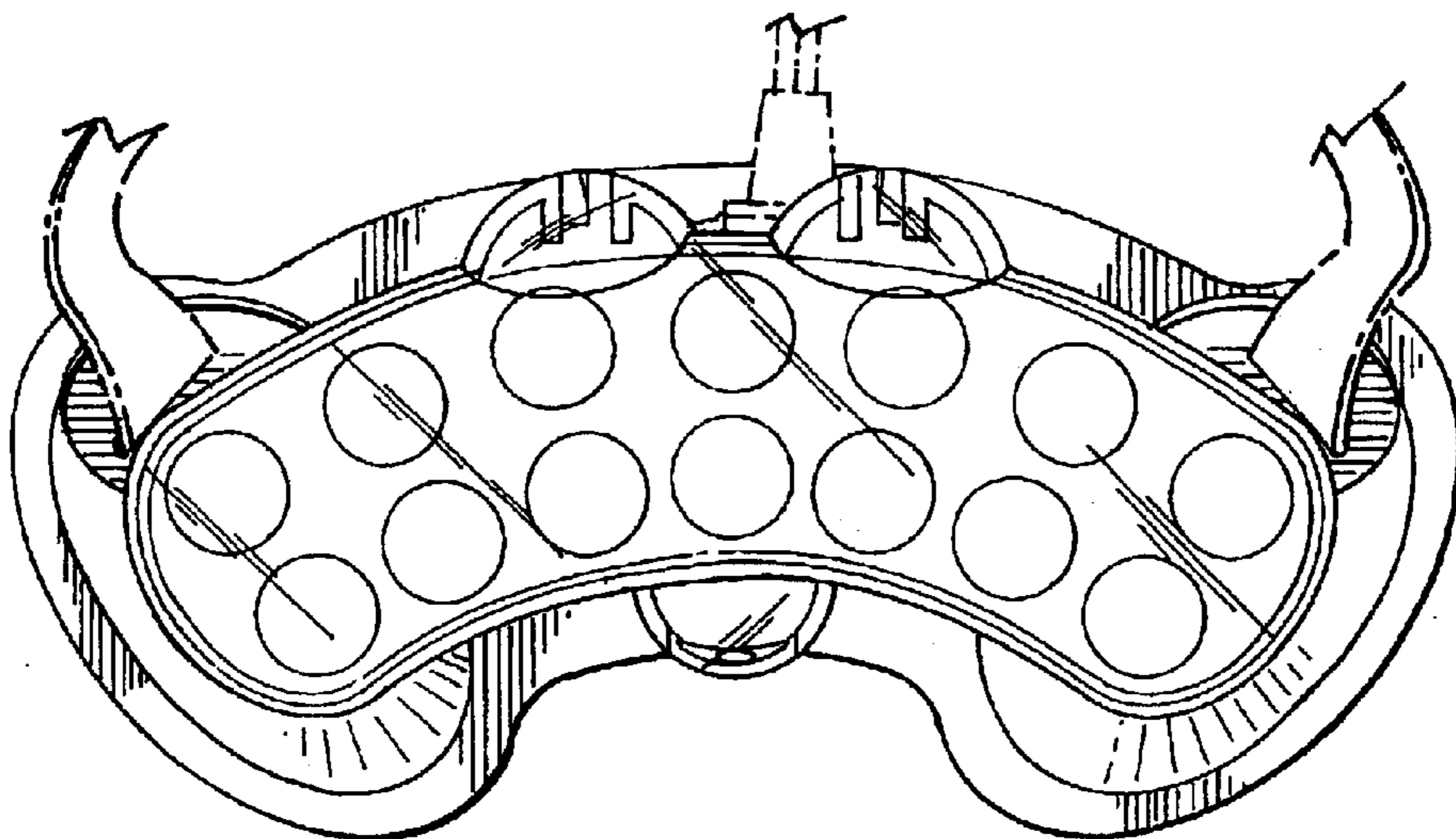


FIG. 5

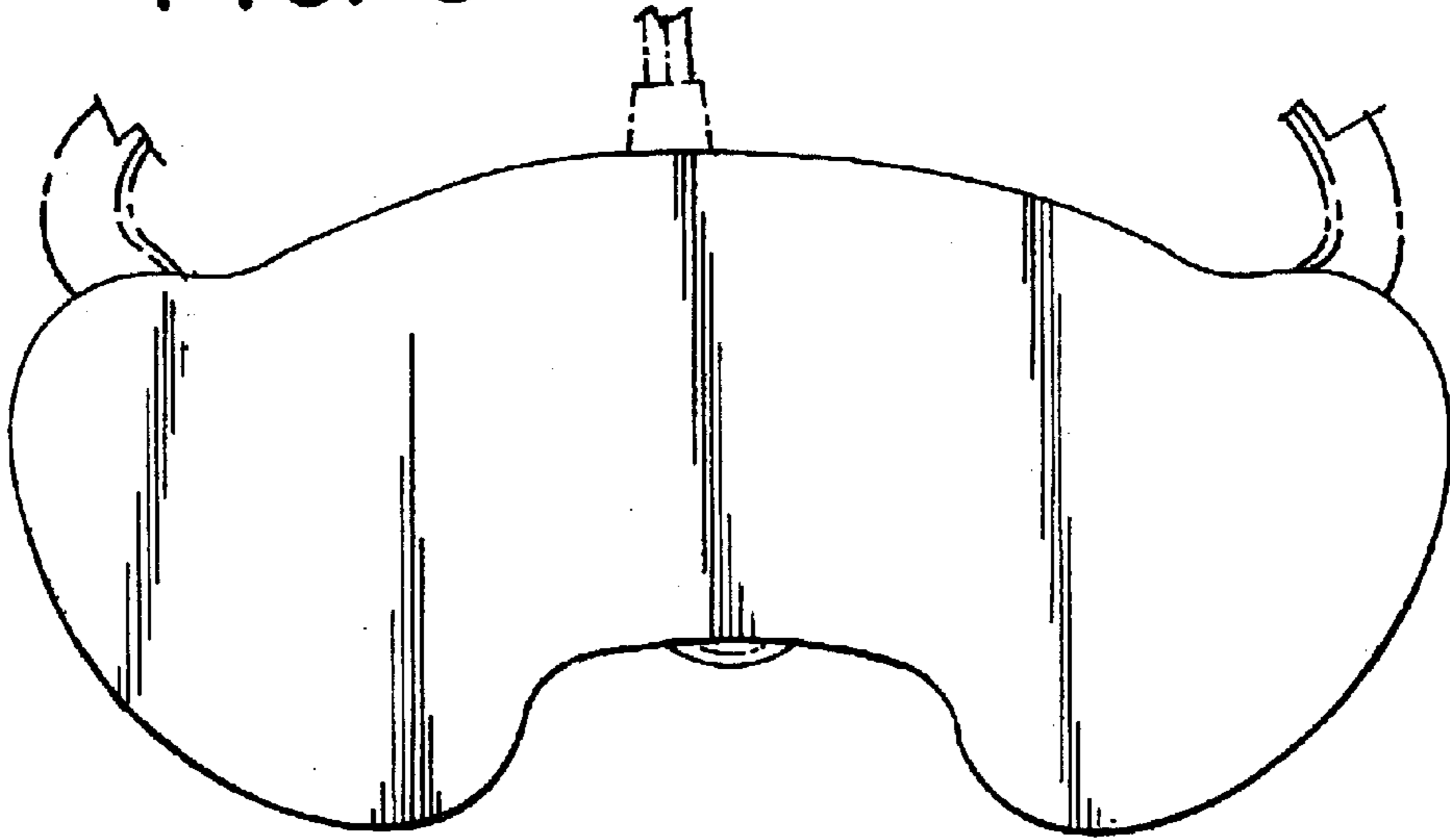


FIG. 6

