



US00D490180S

(12) **United States Design Patent**
Zarian

(10) **Patent No.:** **US D490,180 S**

(45) **Date of Patent:** **** May 18, 2004**

(54) **FLAG LIGHT**

D479,350 S * 9/2003 Herman D26/38
D480,492 S * 10/2003 Wu D26/38

(75) Inventor: **James R. Zarian**, Corona del Mar, CA (US)

* cited by examiner

(73) Assignee: **JRJ Concept Designs, LLC**, Corona del Mar, CA (US)

Primary Examiner—Marcus A Jackson
(74) *Attorney, Agent, or Firm*—Sanford Astor

(**) Term: **14 Years**

(57) **CLAIM**

The ornamental design for flag light, as shown and described.

(21) Appl. No.: **29/176,199**

(22) Filed: **Feb. 19, 2003**

DESCRIPTION

(51) **LOC (7) Cl.** **26-02**

FIG. 1 is a perspective view of the flag light of my new design;

(52) **U.S. Cl.** **D26/38**

FIG. 2 is a perspective view thereof, from the other side;

(58) **Field of Search** D26/37-50; 362/157, 362/158, 171-173, 183-208

FIG. 3 is a left side elevational view thereof;

FIG. 4 is a right side elevational view thereof;

FIG. 5 is a top plan view thereof;

FIG. 6 is a bottom view thereof;

FIG. 7 is a front view thereof; and,

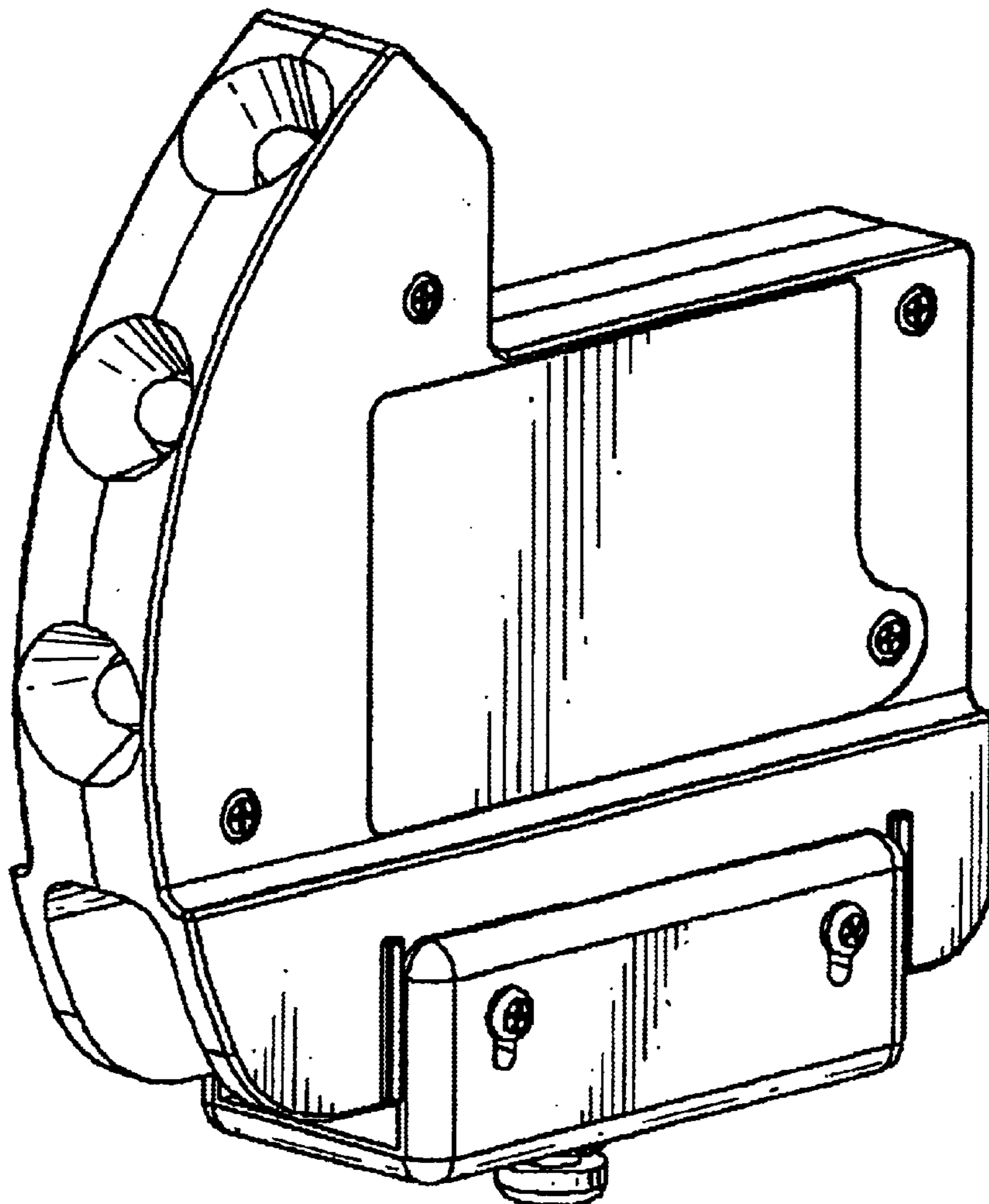
FIG. 8 is a back view thereof.

(56) **References Cited**

U.S. PATENT DOCUMENTS

D433,170 S * 10/2000 Chan D26/38
D471,305 S * 3/2003 Luquire D26/38

1 Claim, 8 Drawing Sheets



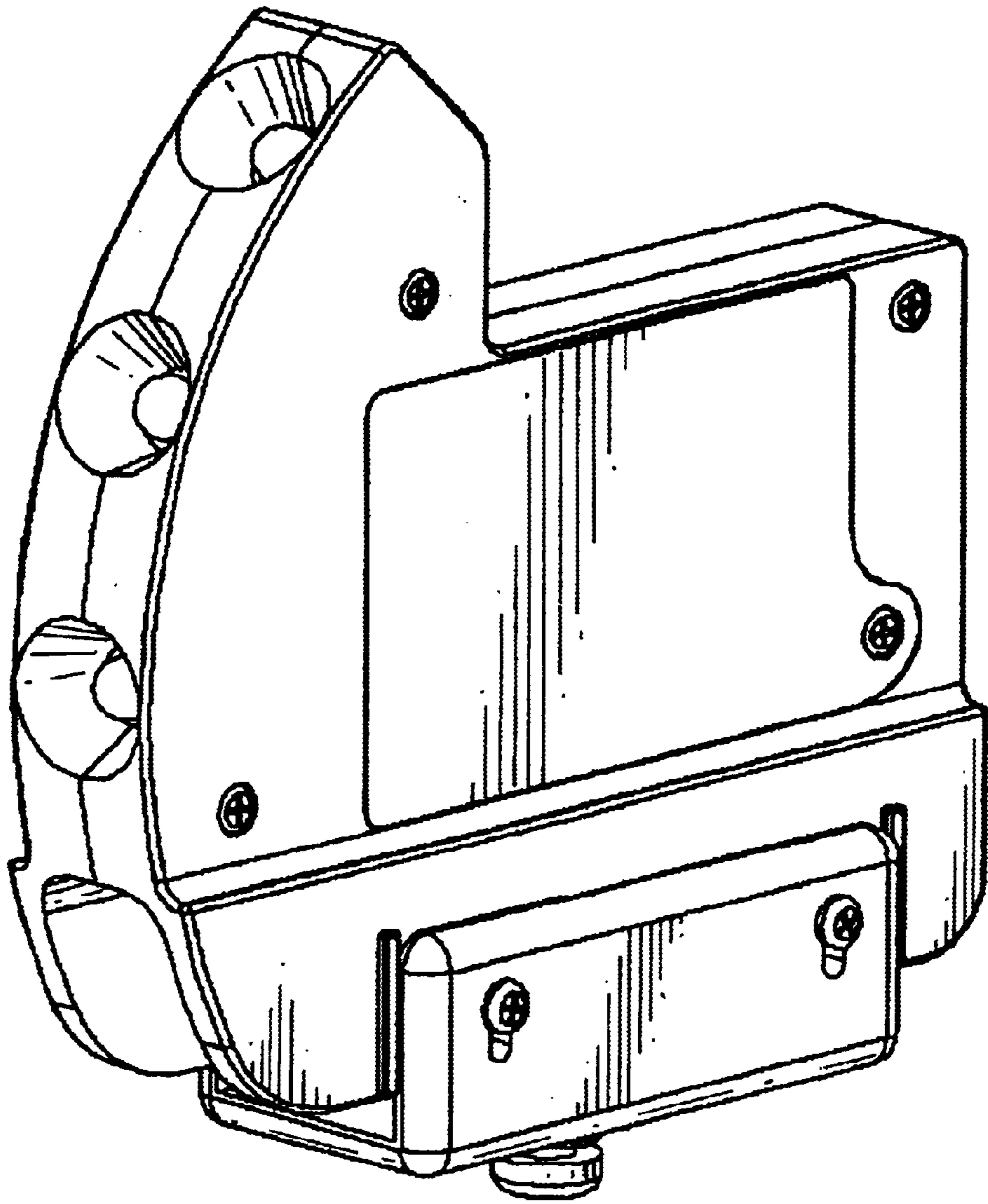


FIG. 1

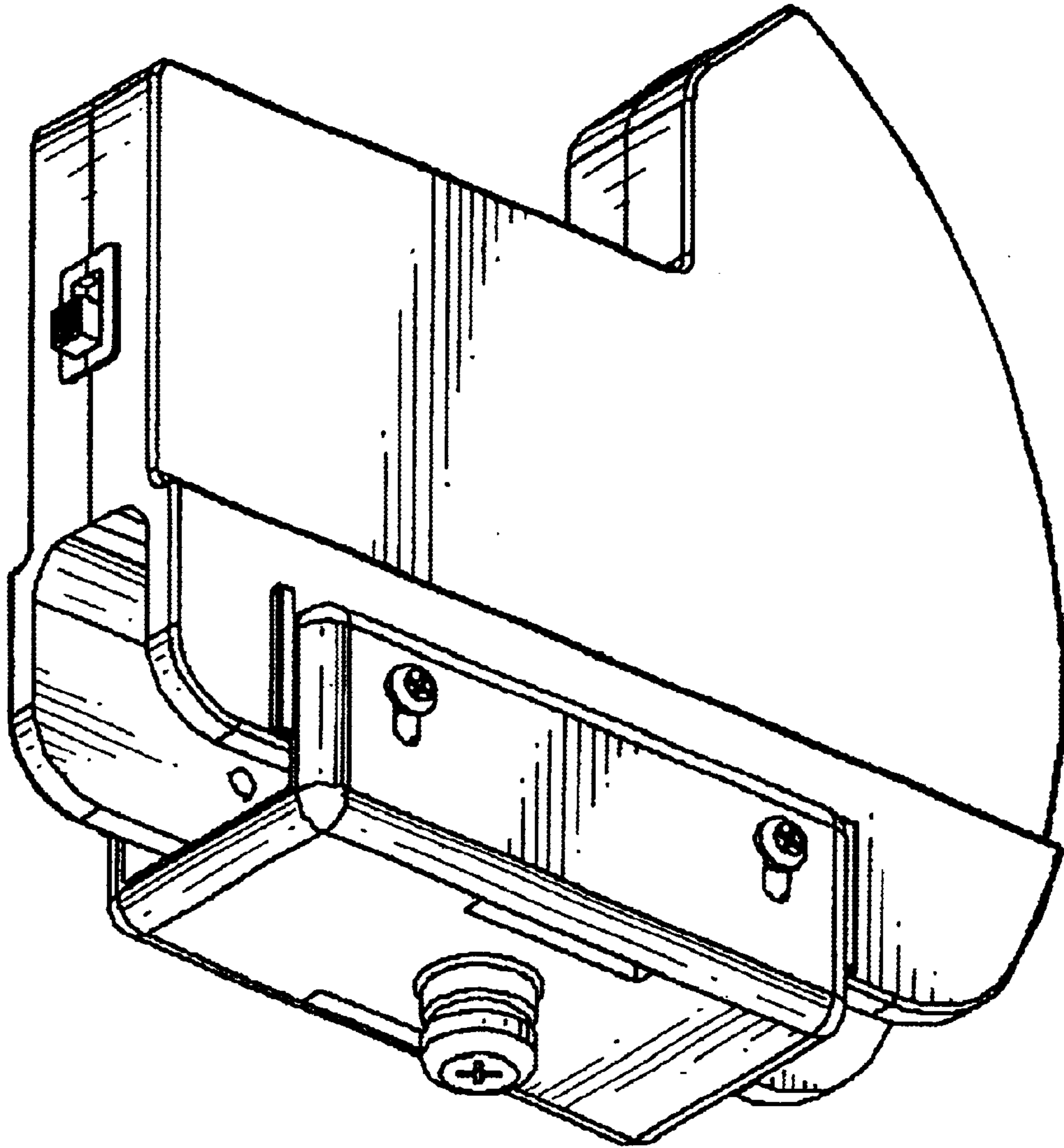


FIG. 2

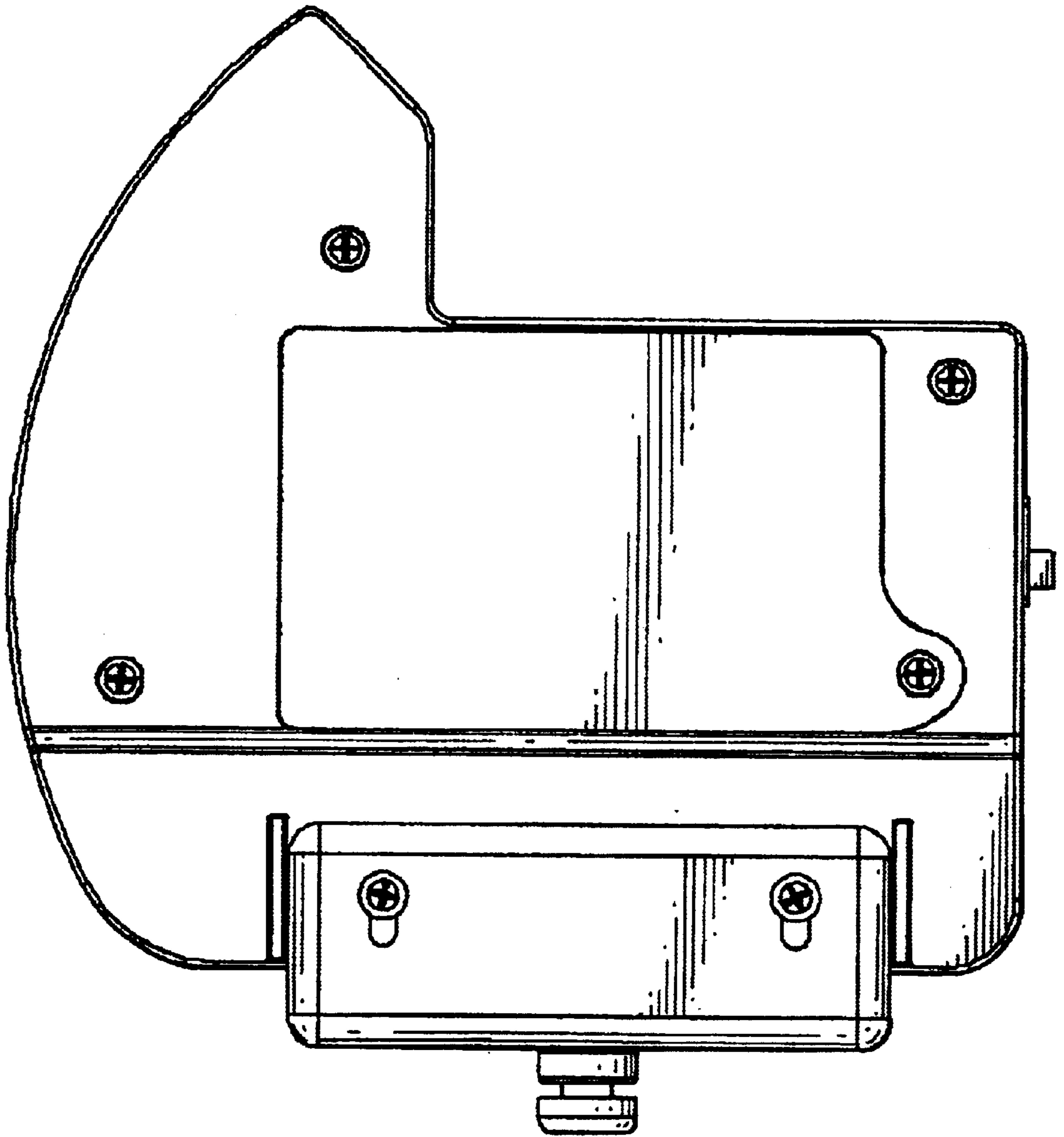


FIG. 3

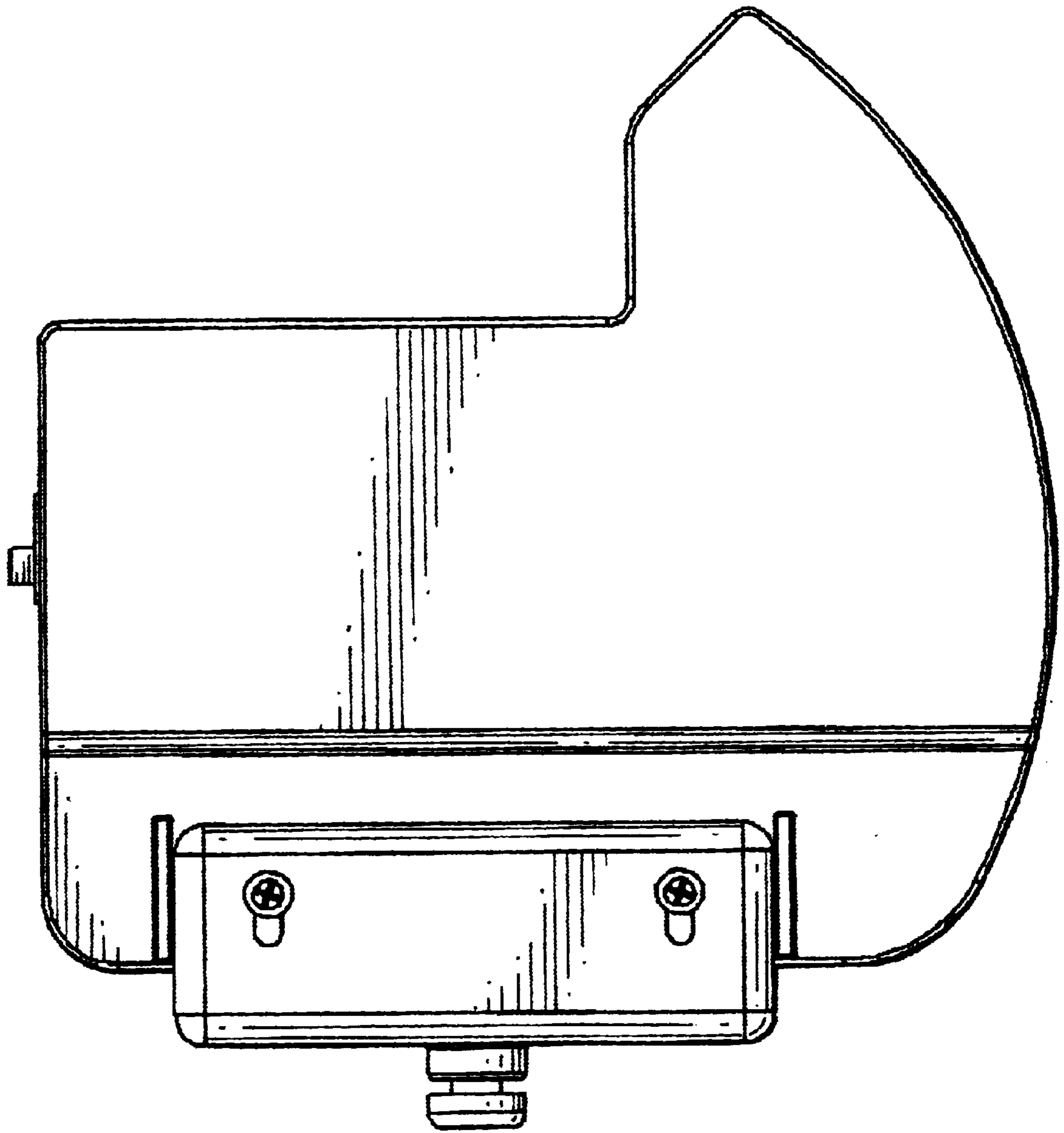


FIG. 4

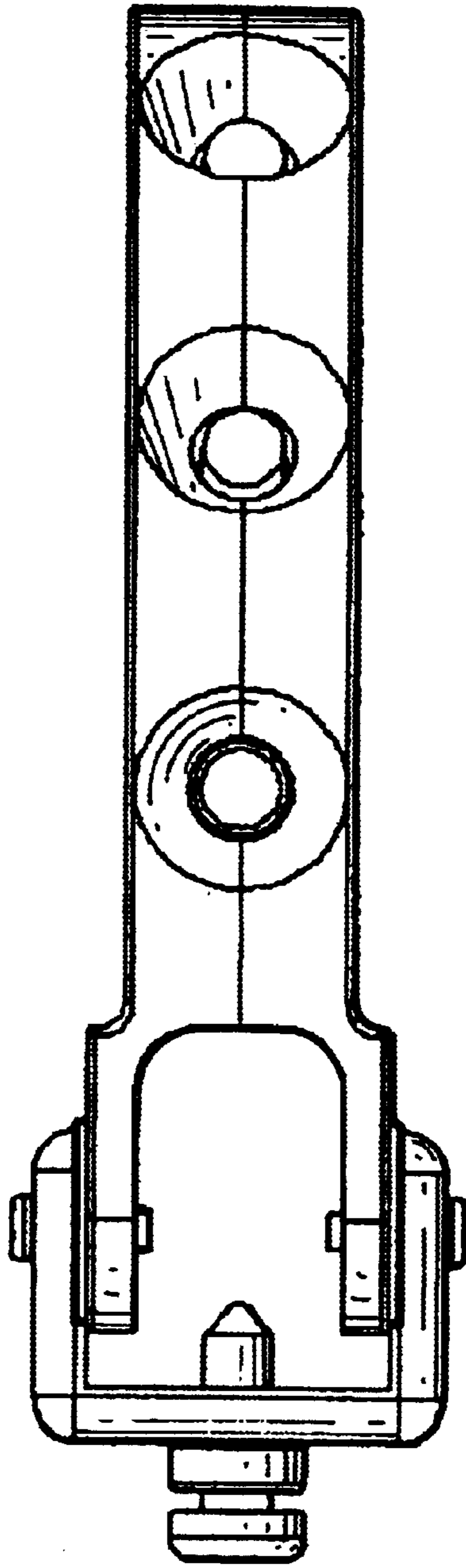


FIG. 5

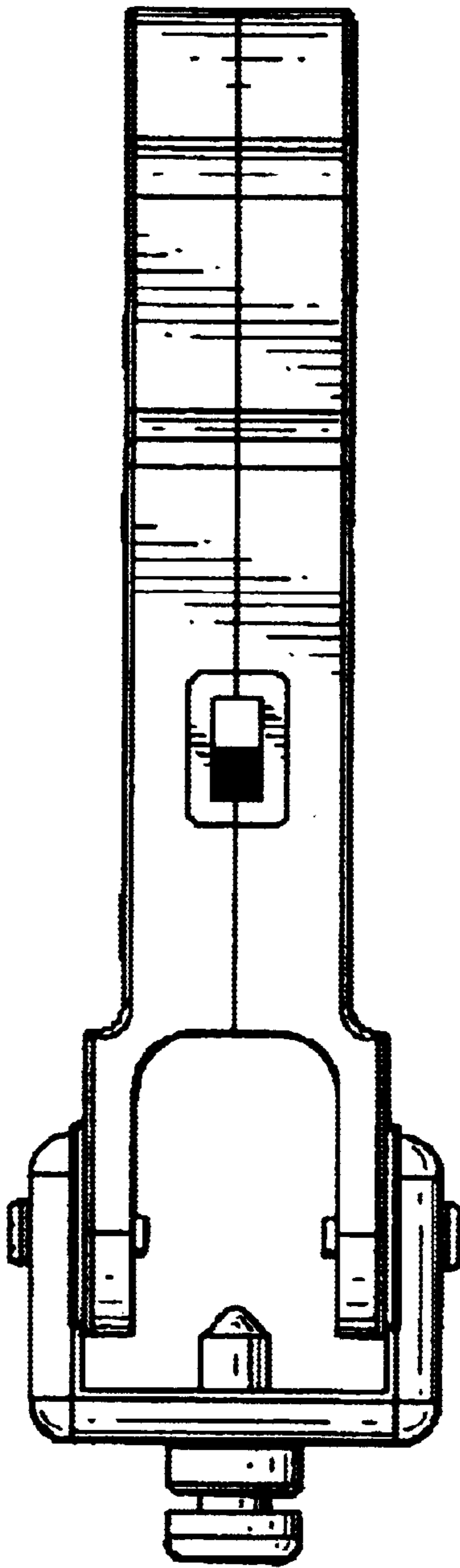


FIG. 6

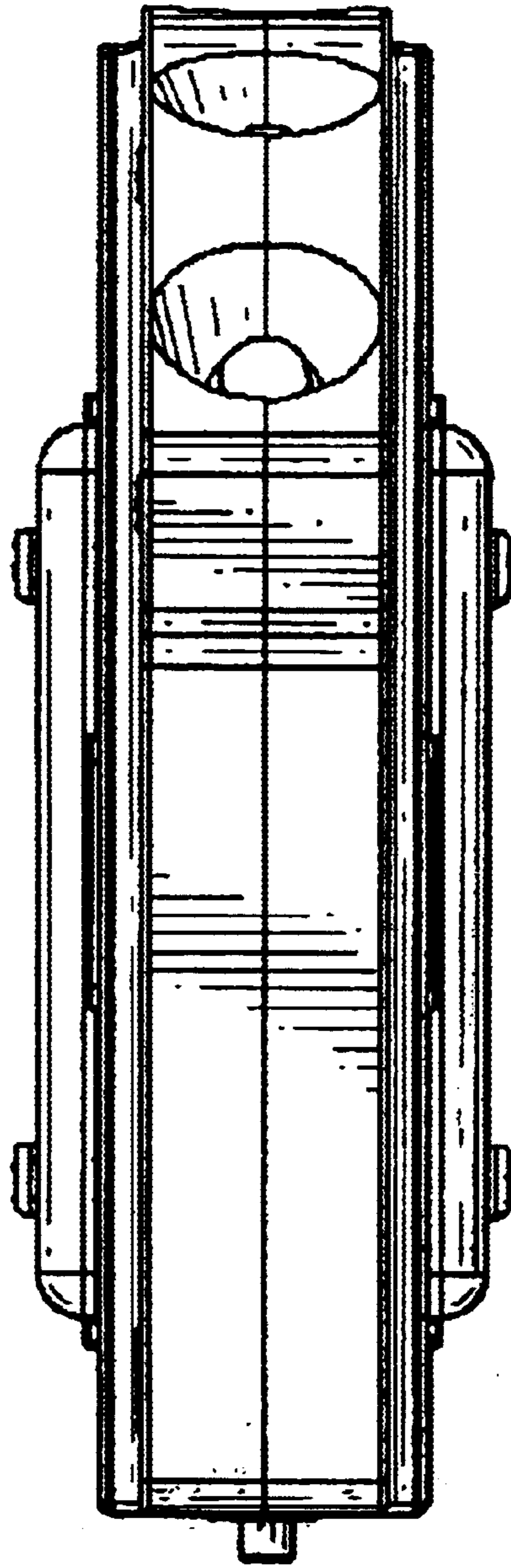


FIG. 7

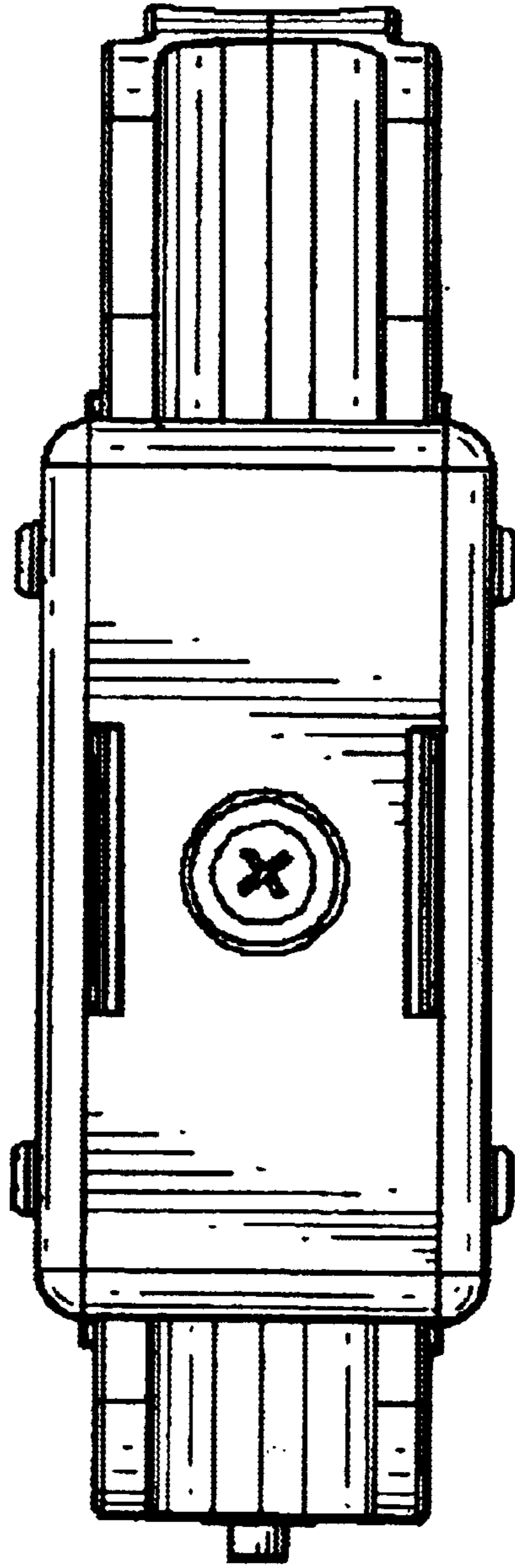


FIG. 8