



US00D490179S

(12) **United States Design Patent**  
**Niemann**

(10) **Patent No.:** **US D490,179 S**

(45) **Date of Patent:** **\*\* May 18, 2004**

(54) **RECHARGEABLE LED LIGHTING UNIT**

*Primary Examiner*—Marcus A. Jackson  
(74) *Attorney, Agent, or Firm*—Don W. Weber

(76) **Inventor:** **Bradley Q. Niemann**, 679 Washboard Trail, Hillsboro, IL (US) 62049

(57) **CLAIM**

(\*\*) **Term:** **14 Years**

The ornamental design for a rechargeable LED lighting unit, as shown and described.

(21) **Appl. No.:** **29/190,246**

(22) **Filed:** **Sep. 22, 2003**

**DESCRIPTION**

(51) **LOC (7) Cl.** ..... **26-02**

FIG. 1 is a front view of the LED light, showing the encased circuit board in phantom lines;

(52) **U.S. Cl.** ..... **D26/37**

FIG. 2 is a left side view of the LED light, showing the encased circuit board in phantom lines;

(58) **Field of Search** ..... D26/37-50, 119;  
362/157, 158, 171-174, 183-208

FIG. 3 is a right side view of the LED light, showing the encased circuit board in phantom lines;

(56) **References Cited**

**U.S. PATENT DOCUMENTS**

D331,634 S	*	12/1992	Browne	.....	D26/119
D407,508 S	*	3/1999	Chiu	.....	D26/37
D438,656 S	*	3/2001	Lupica	.....	D26/37
D481,482 S	*	10/2003	Mah	.....	D26/37

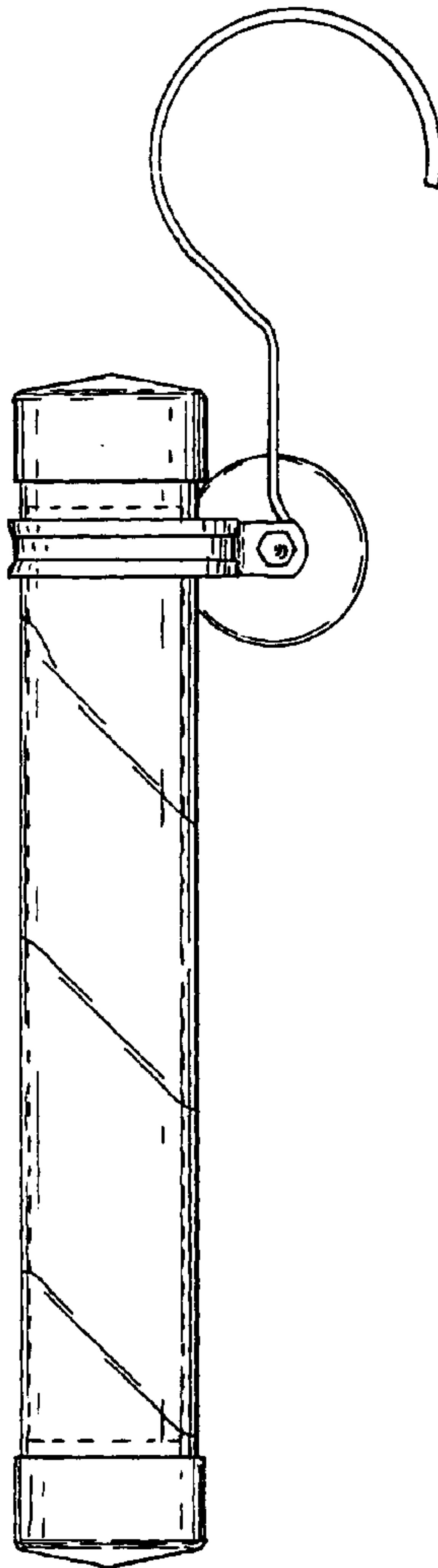
FIG. 4 is a rear view of the LED light, showing the encased circuit board in phantom lines;

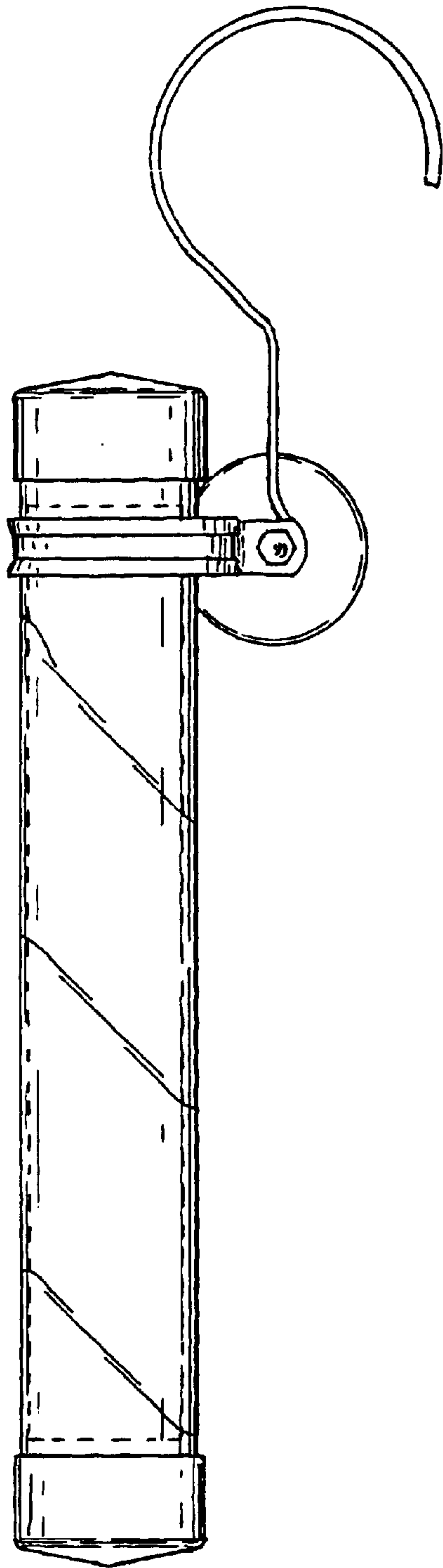
FIG. 5 is a top view of the LED light; and,

FIG. 6 is a bottom view of the LED light.

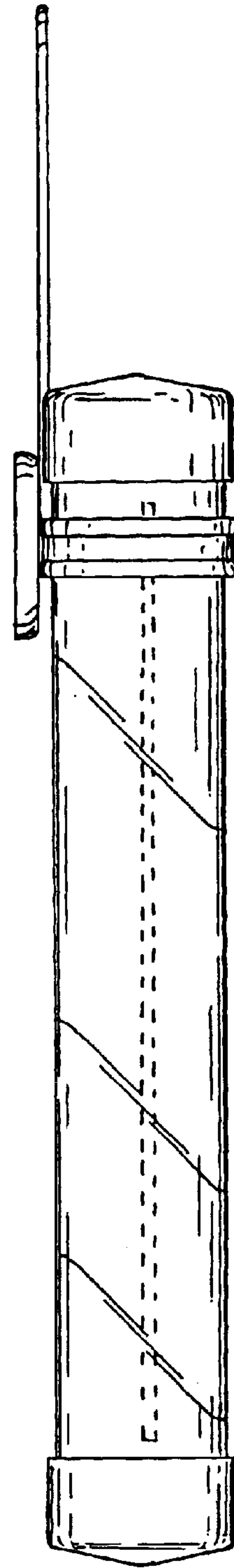
\* cited by examiner

**1 Claim, 2 Drawing Sheets**





*Fig. 1*



*Fig. 2*

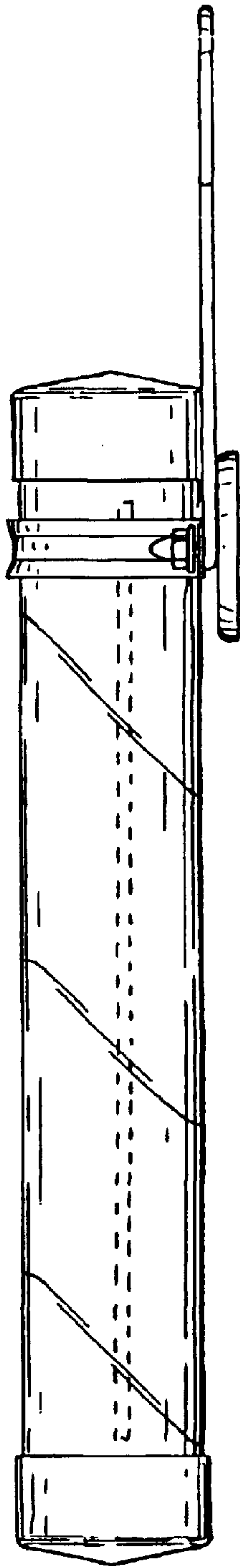


Fig. 3

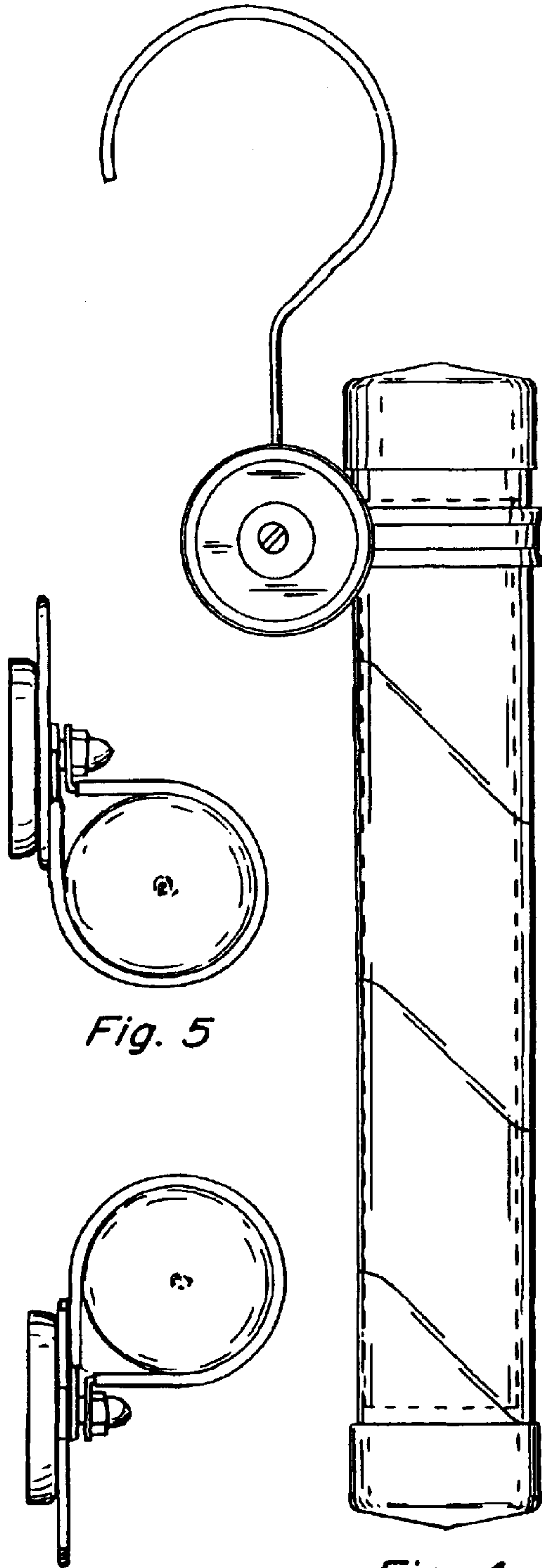


Fig. 5

Fig. 6

Fig. 4