



US00D490175S

(12) **United States Design Patent**  
**Hung**

(10) **Patent No.:** **US D490,175 S**

(45) **Date of Patent:** **\*\* May 18, 2004**

(54) **AUTOMOBILE LIGHT**

D476,759 S \* 7/2003 Lin ..... D26/28

(75) **Inventor:** **Chi-Chung Hung**, Tainan (TW)

\* cited by examiner

(73) **Assignee:** **TYC Brother Industrial Co., Ltd.**,  
Tainan (TW)

*Primary Examiner*—Marcus A. Jackson

(74) *Attorney, Agent, or Firm*—Fitzpatrick, Cella, Harper &  
Scinto

(\*\*) **Term:** **14 Years**

(57) **CLAIM**

(21) **Appl. No.:** **29/189,591**

The ornamental design for automobile light, as shown and  
described.

(22) **Filed:** **Sep. 9, 2003**

**DESCRIPTION**

(51) **LOC (7) Cl.** ..... **26-04**

(52) **U.S. Cl.** ..... **D26/28**

(58) **Field of Search** ..... D26/23–36; 362/61,  
362/80, 81, 82, 83, 83.4, 267, 269, 275,  
330–340

FIG. 1 is a perspective view of automobile light showing my  
new design;

FIG. 2 is a front elevational view thereof;

FIG. 3 is a rear elevational view thereof;

FIG. 4 is a left side elevational view thereof;

FIG. 5 is a right side elevational view thereof;

FIG. 6 is a top plan view thereof; and,

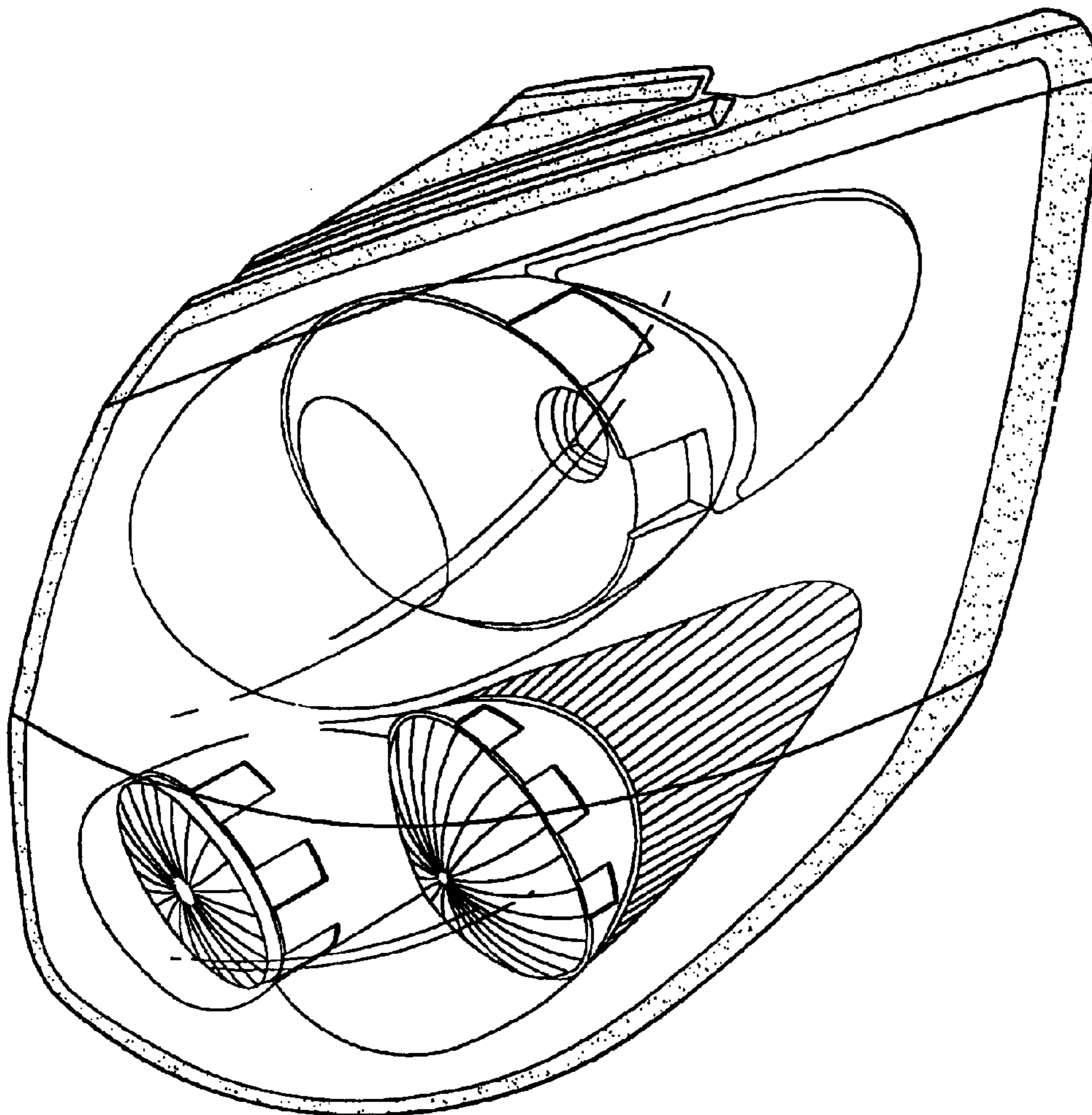
FIG. 7 is a bottom plan view thereof.

(56) **References Cited**

**U.S. PATENT DOCUMENTS**

D472,000 S \* 3/2003 Hayasaka et al. .... D26/28

**1 Claim, 4 Drawing Sheets**



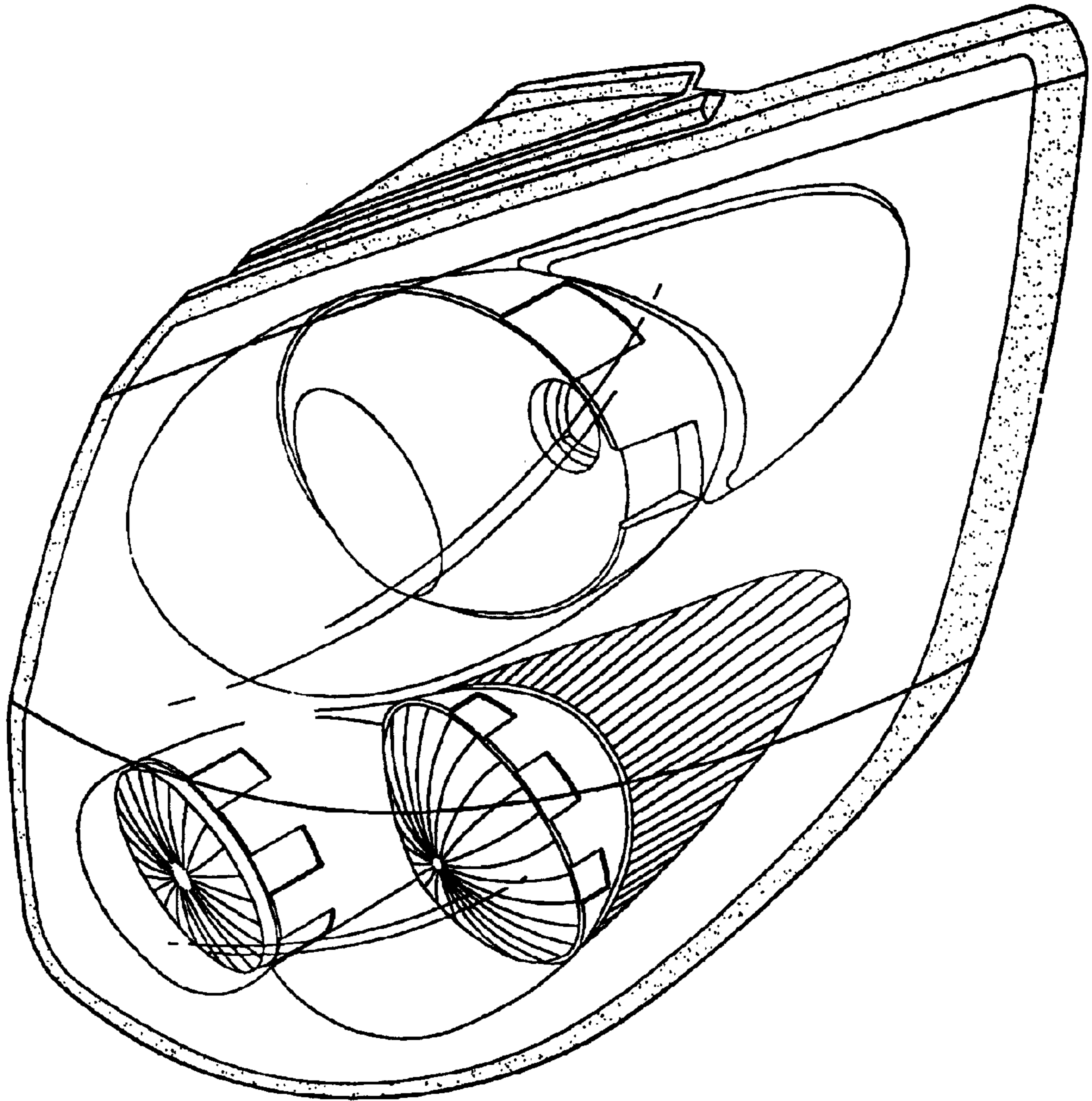


FIG. 1

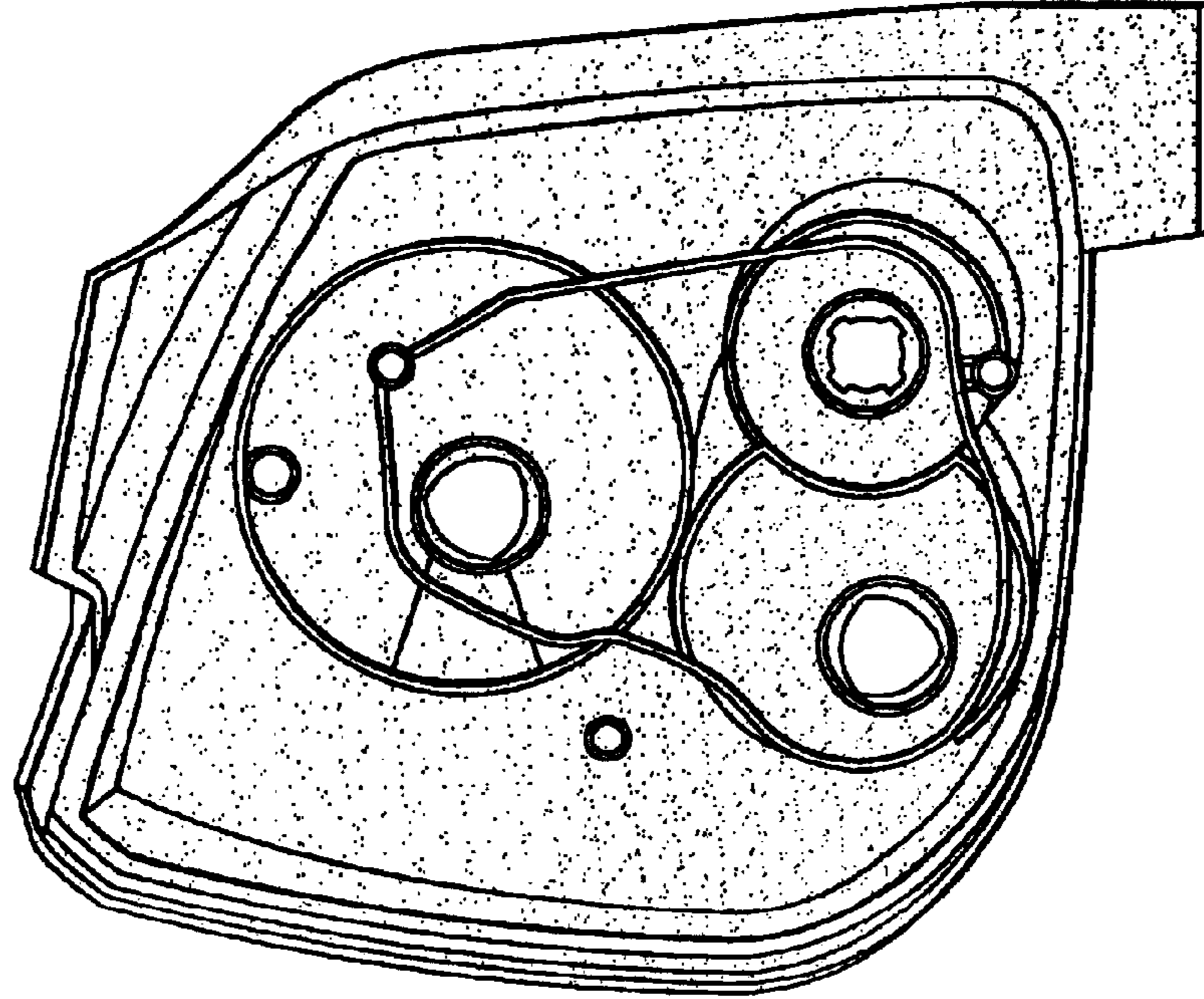


FIG. 2

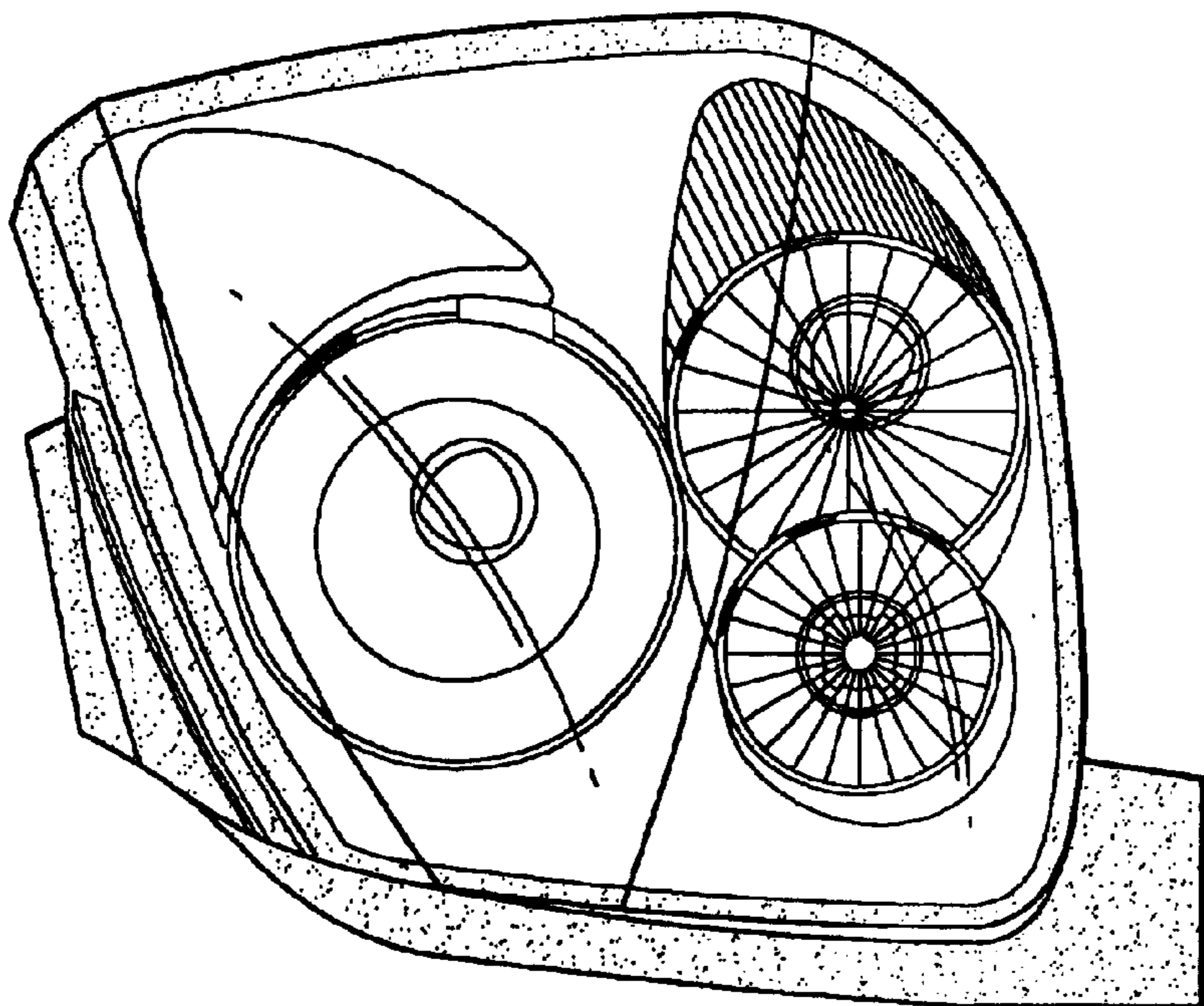


FIG. 3

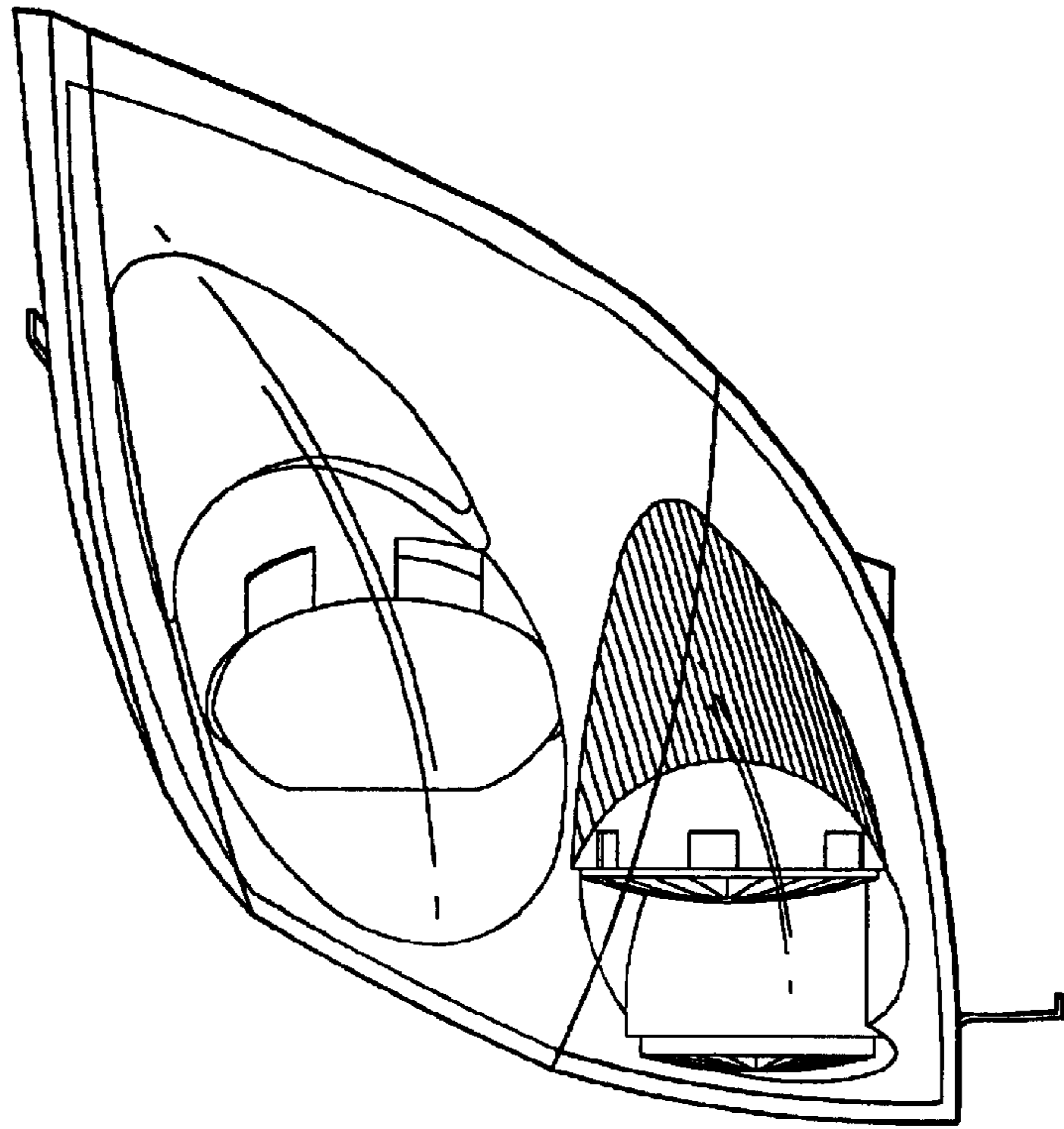


FIG. 5

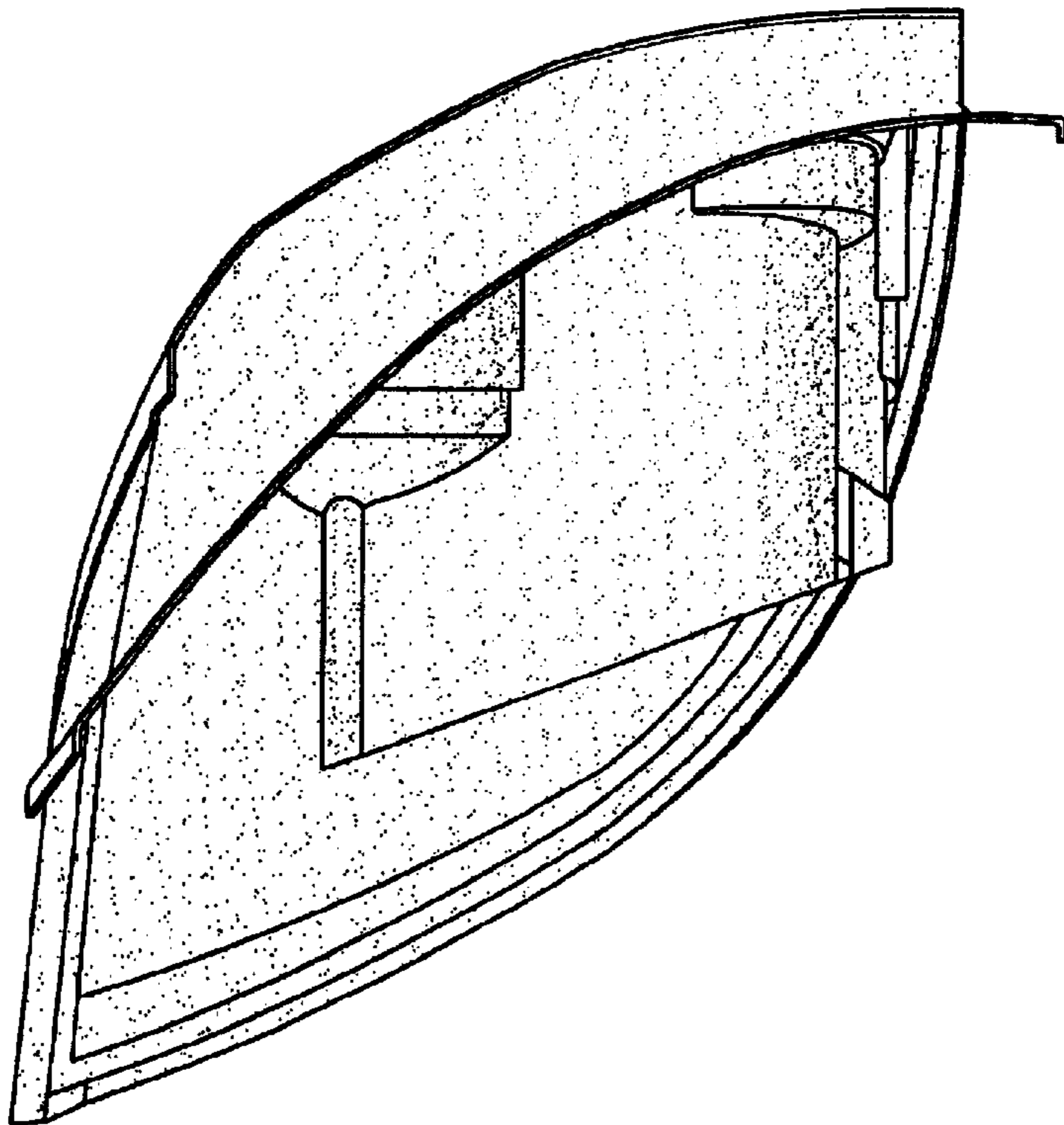


FIG. 4

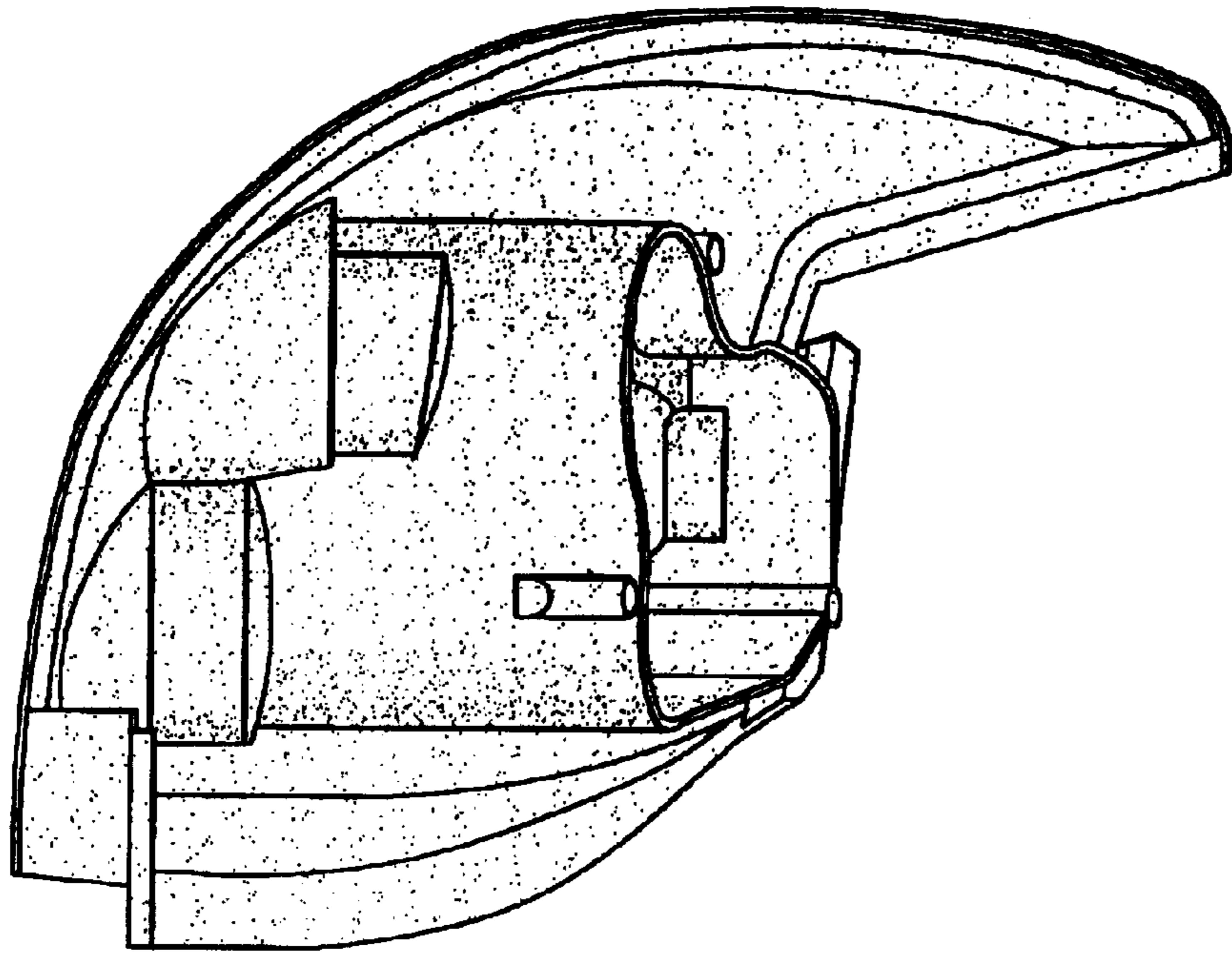


FIG. 6

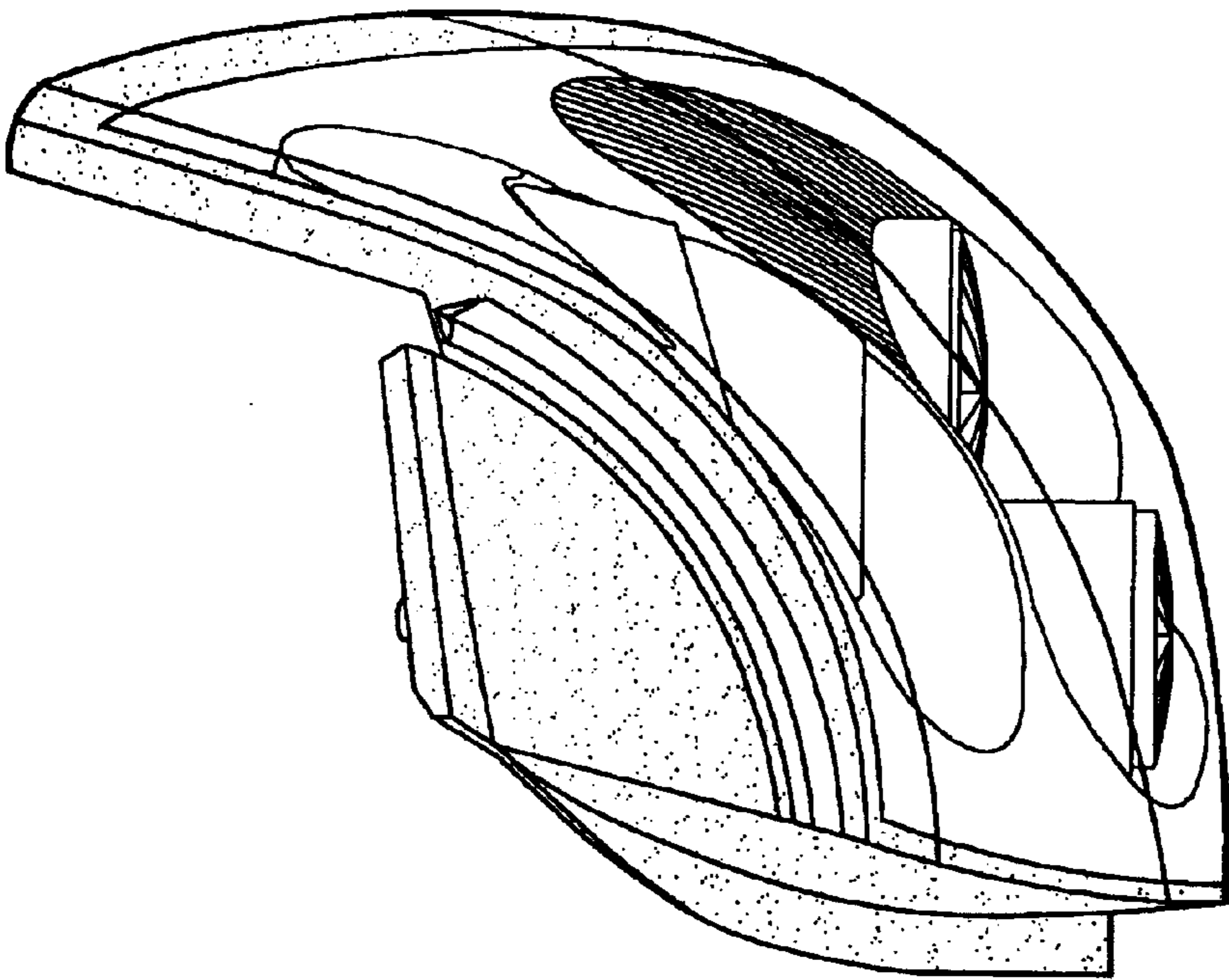


FIG. 7