



US00D490172S

(12) **United States Design Patent**
Yamamoto

(10) **Patent No.:** **US D490,172 S**

(45) **Date of Patent:** **** May 18, 2004**

(54) **AUXILIARY LAMP FOR AUTOMOBILE**

(75) **Inventor:** **Teruaki Yamamoto, Tokyo (JP)**

(73) **Assignee:** **PIAA Design International Corporation, Tokyo (JP)**

(**) **Term:** **14 Years**

(21) **Appl. No.:** **29/183,494**

(22) **Filed:** **Jun. 12, 2003**

(30) **Foreign Application Priority Data**

Dec. 16, 2002 (JP) 2002-034852

(51) **LOC (7) Cl.** **26-06**

(52) **U.S. Cl.** **D26/28**

(58) **Field of Search** D26/28-36; 362/61,
362/80, 81, 82, 83, 309, 329-340, 418,
419, 427

(56) **References Cited**

U.S. PATENT DOCUMENTS

- D434,865 S * 12/2000 Hussaini et al. D26/28
- D436,192 S * 1/2001 Hussaini et al. D26/28
- D439,687 S * 3/2001 Iacovelli et al. D26/28

- D470,257 S * 2/2003 Byggmastar D26/28
- D471,658 S * 3/2003 Byggmastar D26/28
- D477,427 S * 7/2003 Mazziotti D26/28

* cited by examiner

Primary Examiner—Marcus A. Jackson

(74) *Attorney, Agent, or Firm*—Olson & Hierl, Ltd.

(57) **CLAIM**

The ornamental design for an auxiliary lamp for automobile, as shown and described.

DESCRIPTION

FIG. 1 is a front perspective view of the auxiliary lamp for an automobile;
 FIG. 2 is a rear perspective view thereof;
 FIG. 3 is a front view thereof;
 FIG. 4 is a rear view thereof;
 FIG. 5 is a right side view thereof;
 FIG. 6 is a top plan view thereof;
 FIG. 7 is a bottom view thereof; and,
 FIG. 8 is a sectional view thereof taken at VIII—VIII line of FIG. 3.

The broken lines are shown in the views for illustrative purpose only and form no part of the claimed design.

1 Claim, 4 Drawing Sheets

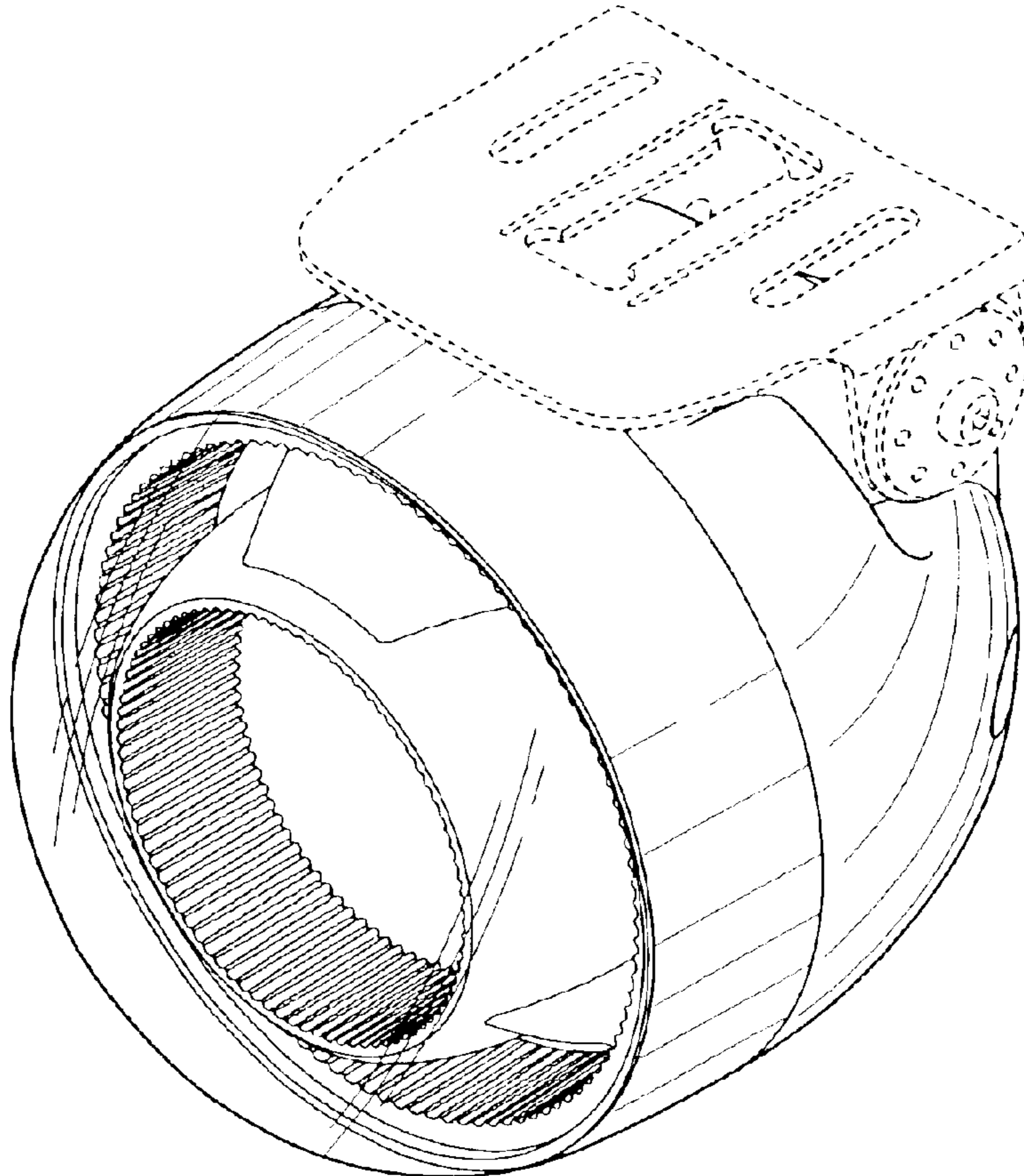


FIG. 1

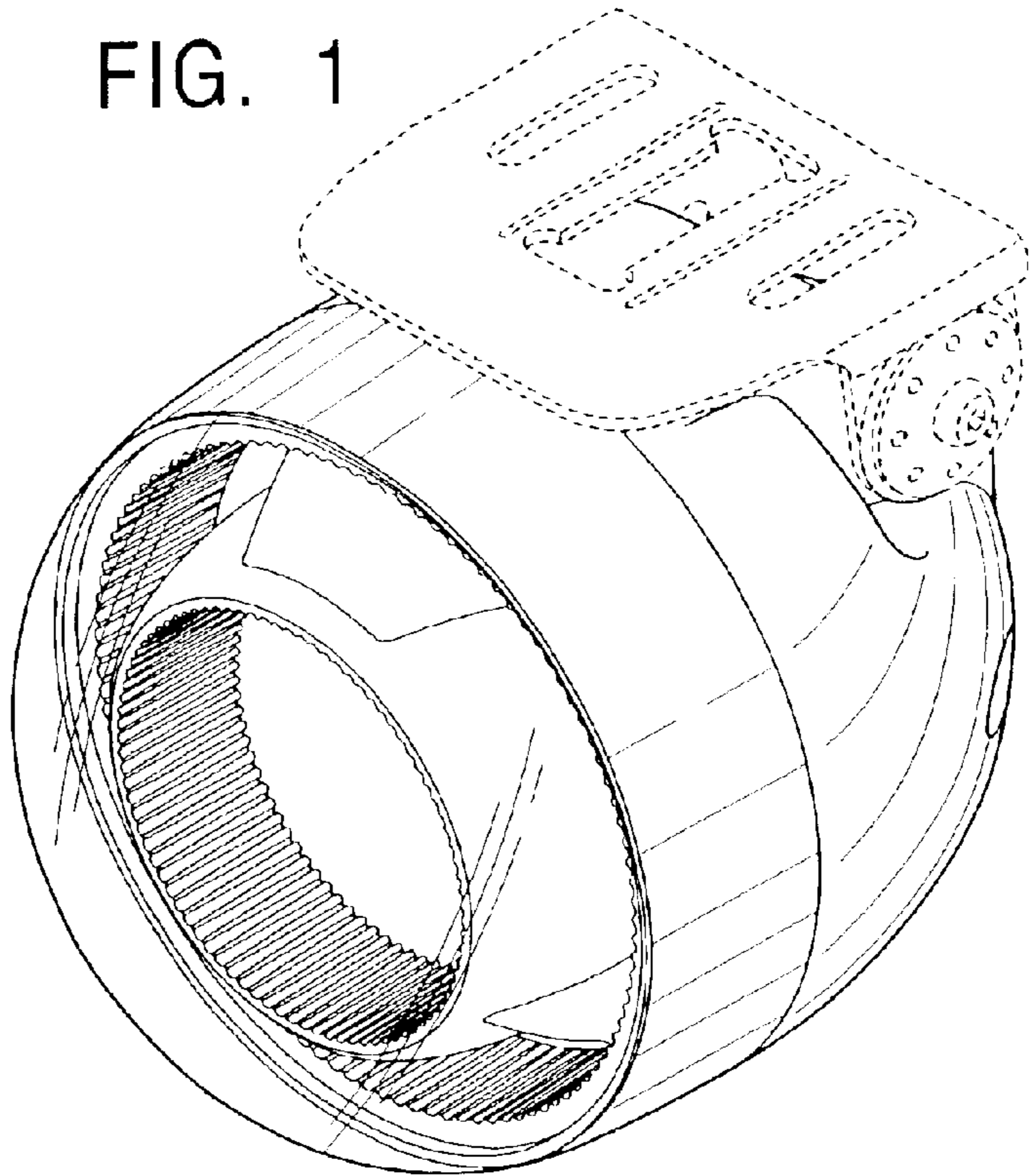


FIG. 2

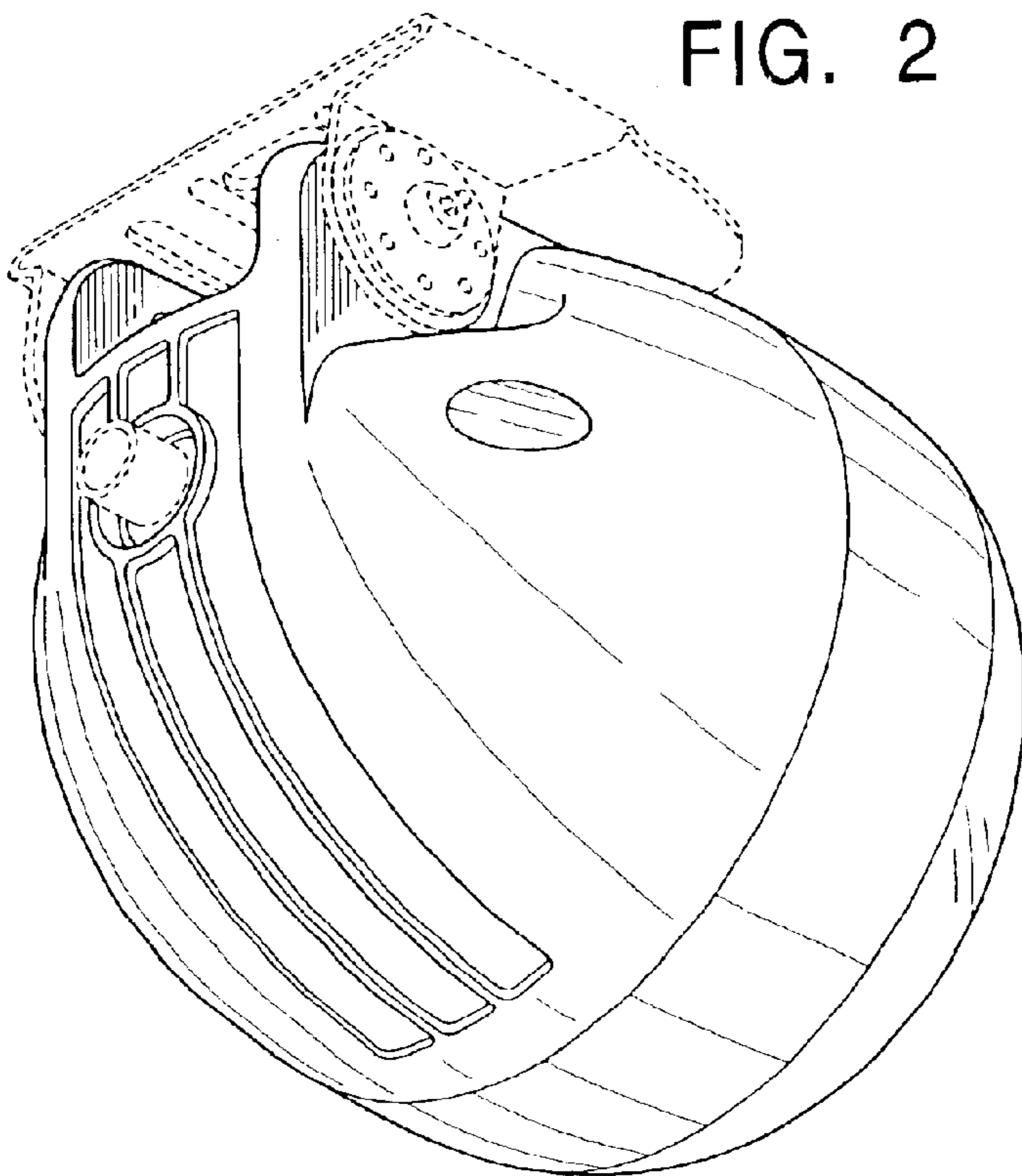


FIG. 3

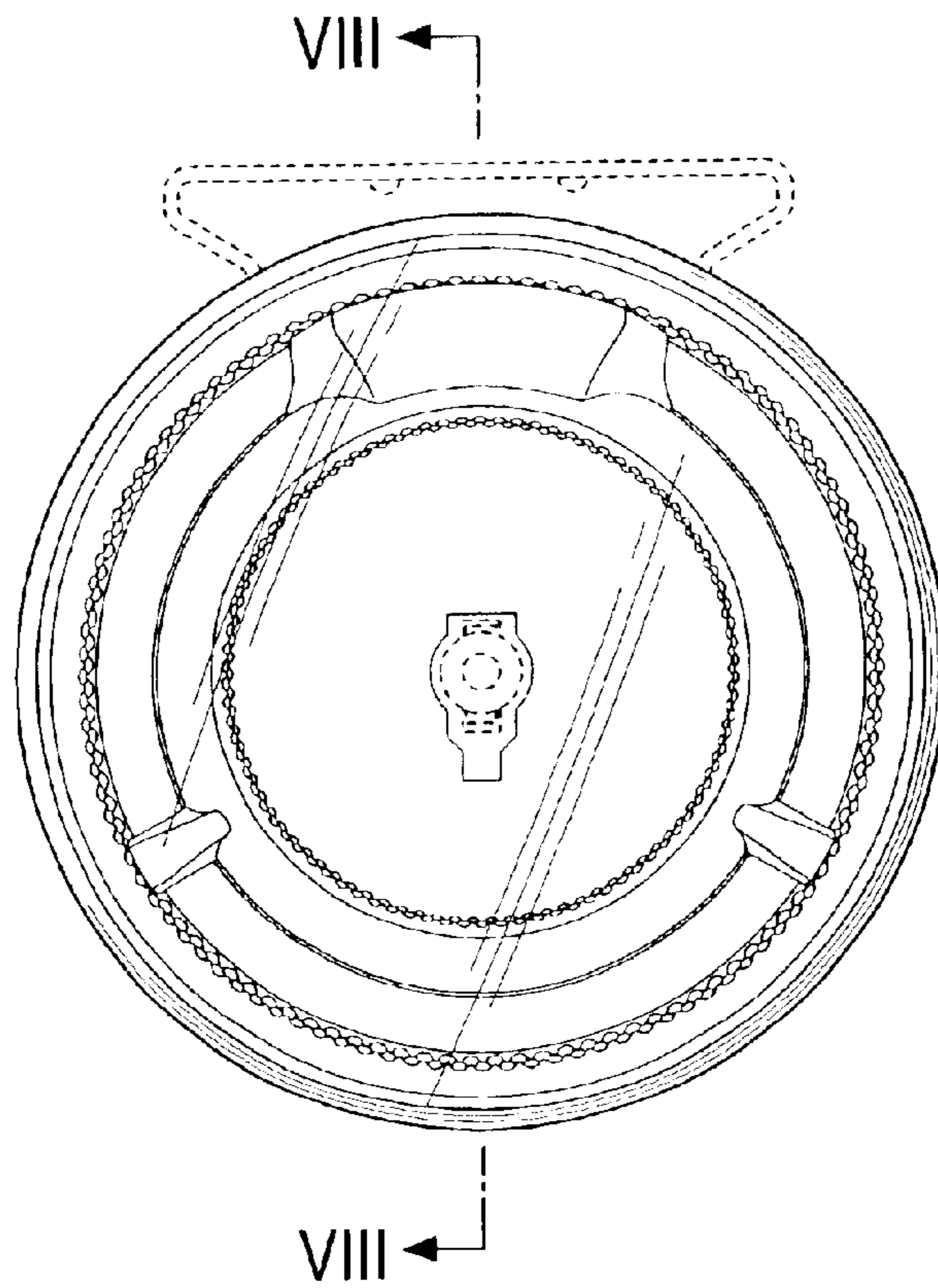


FIG. 4

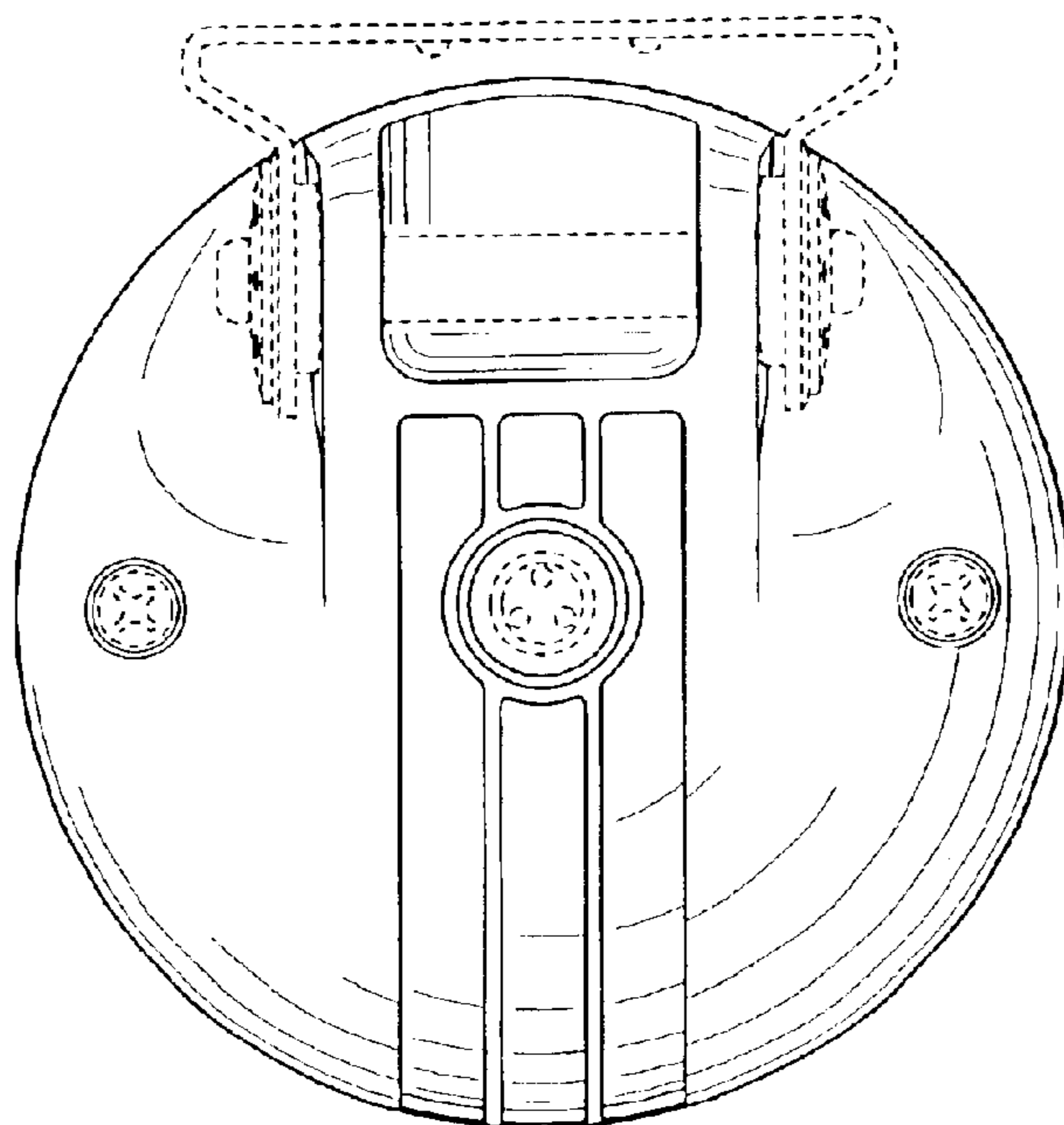


FIG. 5

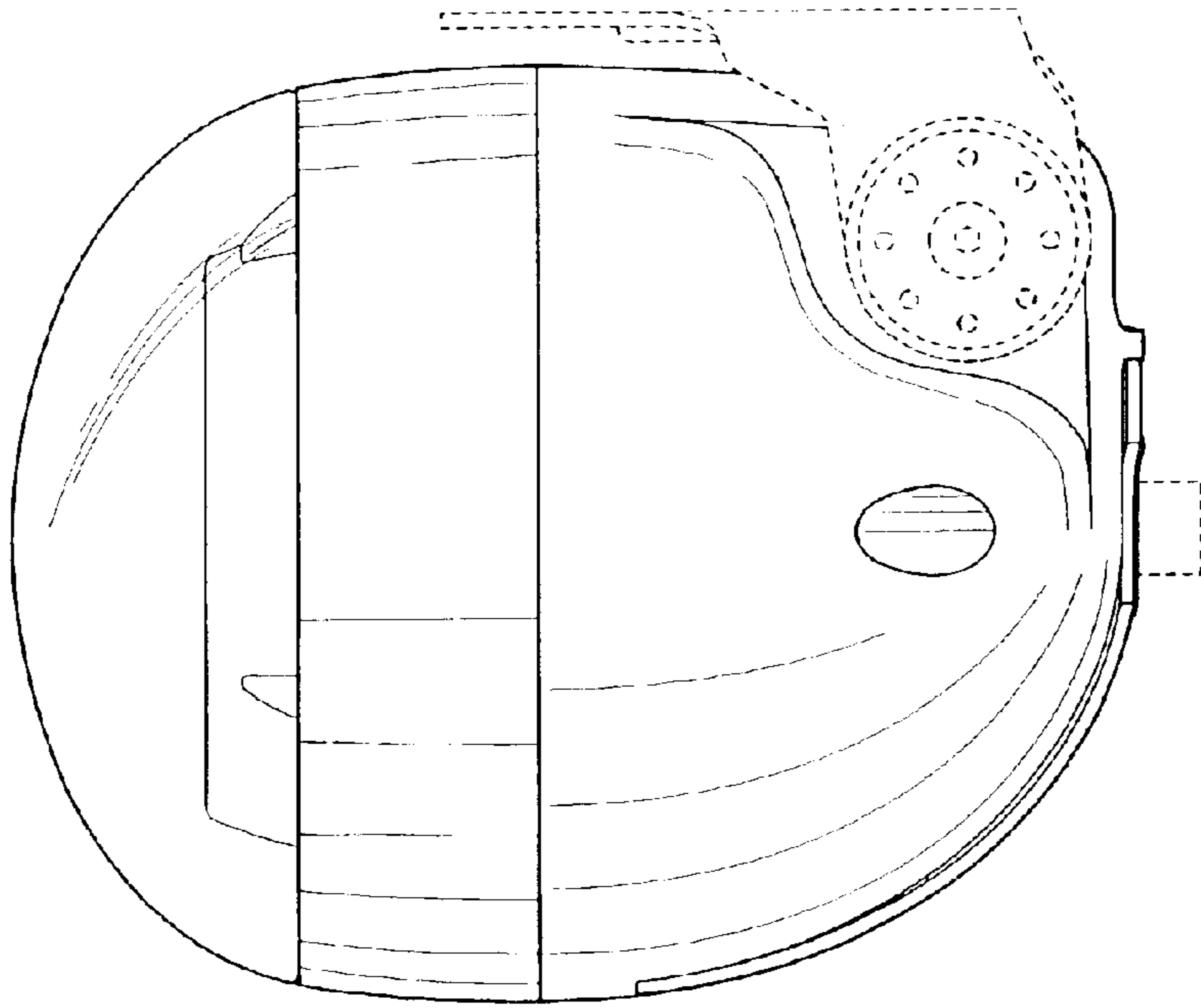


FIG. 6

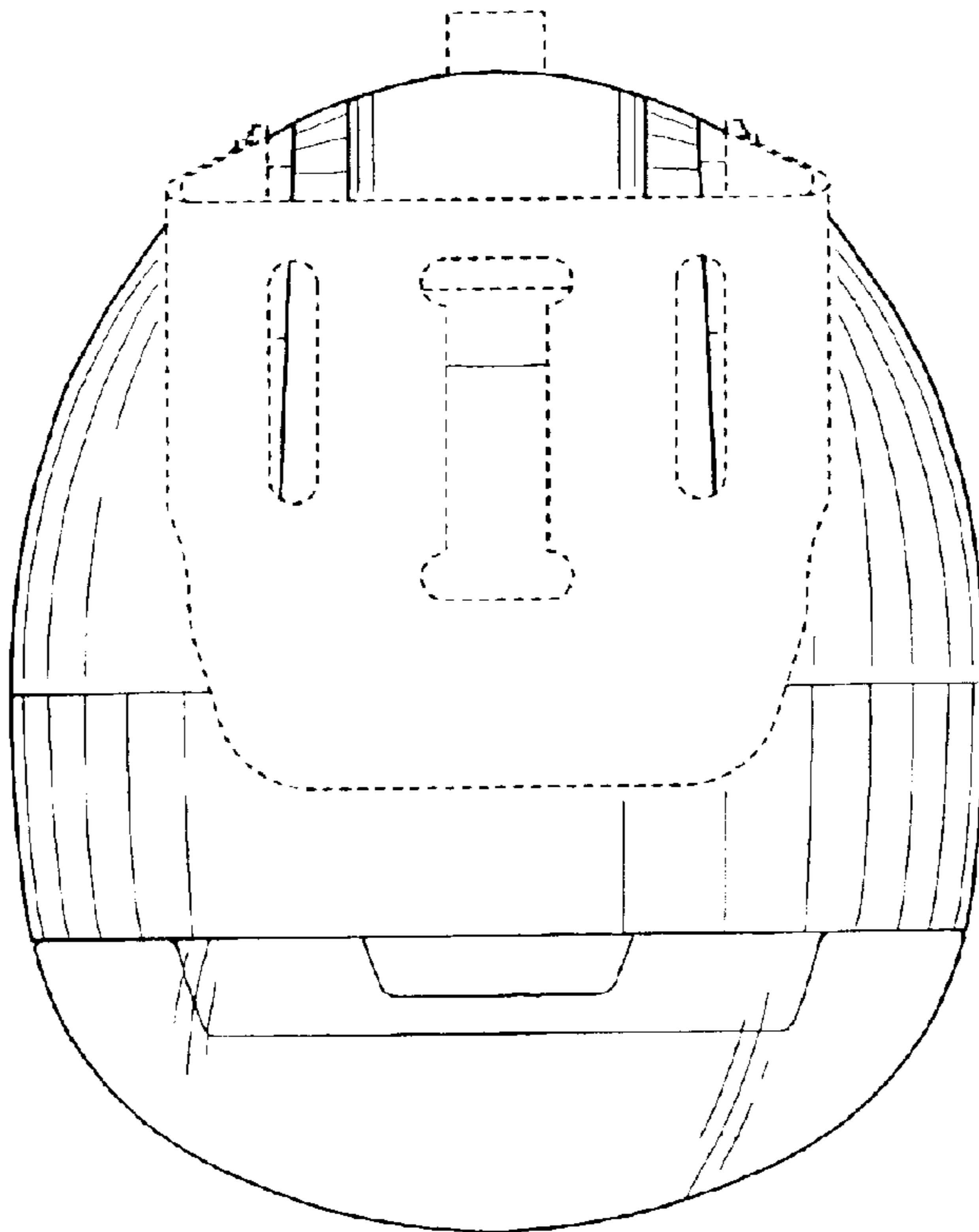


FIG. 7

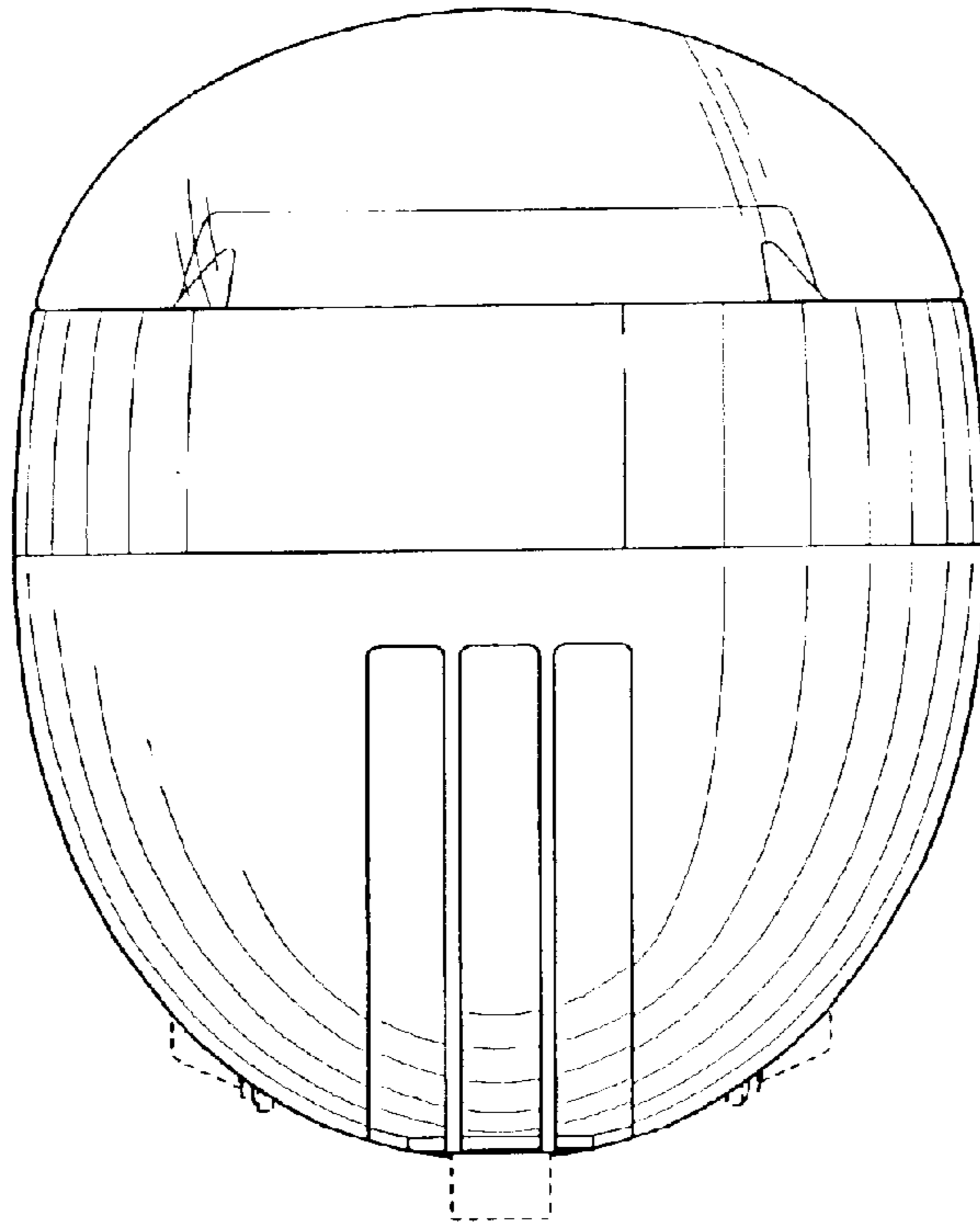


FIG. 8

