



US00D490168S

(12) **United States Design Patent**
Foo

(10) **Patent No.:** **US D490,168 S**

(45) **Date of Patent:** **** May 18, 2004**

(54) **4-SL FLUORESCENT TUBE**

(75) **Inventor:** **Onn Fah Foo, Kowloon (HK)**

(73) **Assignee:** **Mass Technology (H.K.) Limited, Kowloon (HK)**

(**) **Term:** **14 Years**

(21) **Appl. No.:** **29/187,876**

(22) **Filed:** **Aug. 11, 2003**

(30) **Foreign Application Priority Data**

Jun. 12, 2003 (CN) 03 3 52437

(51) **LOC (7) Cl.** **26-06**

(52) **U.S. Cl.** **D26/3**

(58) **Field of Search** D26/1-4; 313/313,
313/315, 317, 318, 493, 497, 567, 569;
315/56, 57, 58, 73

(56) **References Cited**

U.S. PATENT DOCUMENTS

D444,580 S * 7/2001 Foo D26/3

D463,585 S * 9/2002 Foo D26/3
D463,870 S * 10/2002 Foo D26/3
D473,329 S * 4/2003 Foo D26/3
D480,161 S * 9/2003 Foo D26/3

* cited by examiner

Primary Examiner—Marcus A. Jackson
(74) *Attorney, Agent, or Firm*—Rabin & Berdo, P.C.

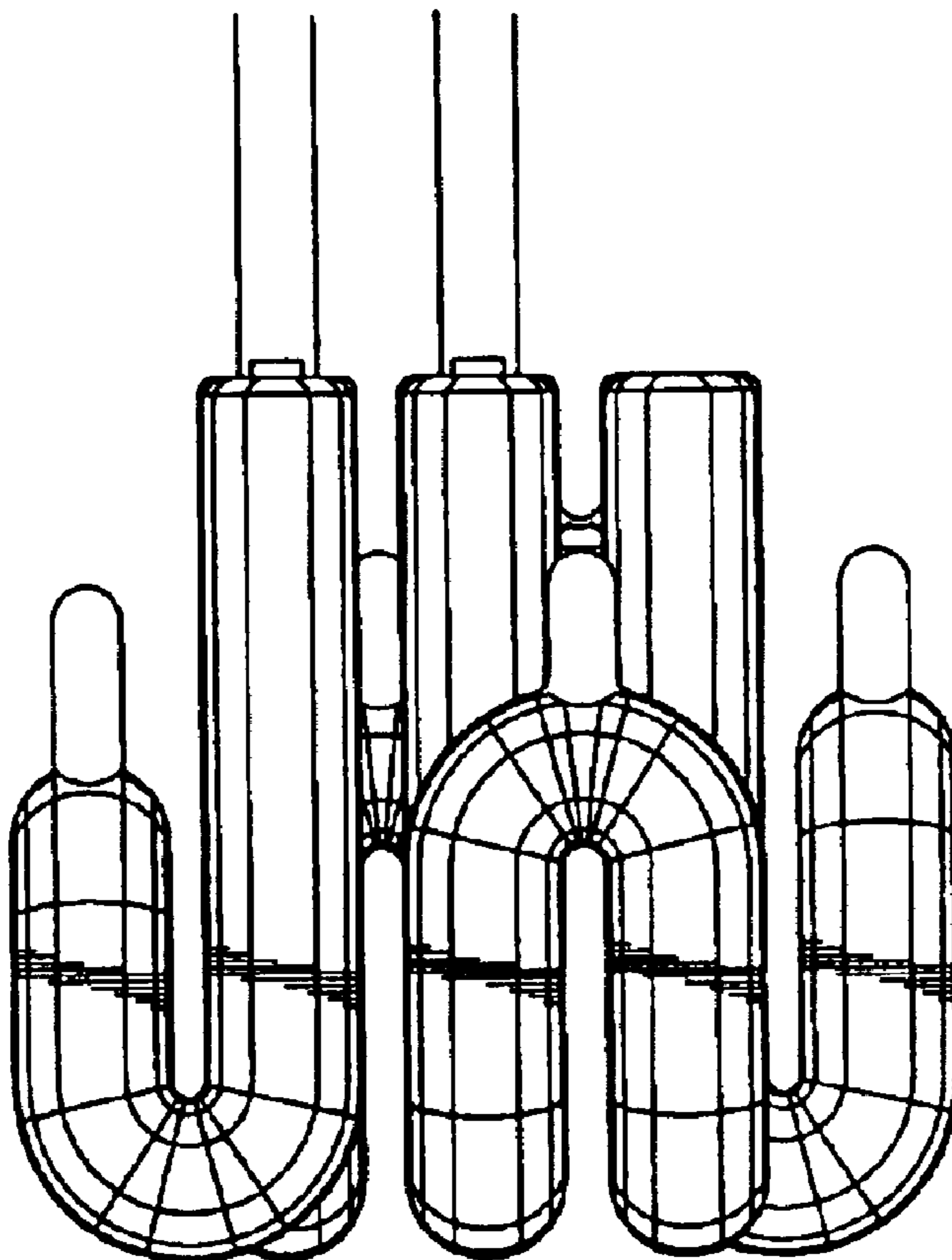
(57) **CLAIM**

The ornamental design for a 4-SL fluorescent tube, as shown and described.

DESCRIPTION

FIG. 1 is a front view of a 4-SL fluorescent tube showing my new design;
FIG. 2 is a rear view thereof;
FIG. 3 is a left side view thereof;
FIG. 4 is a right side view thereof;
FIG. 5 is a top plan view thereof; and,
FIG. 6 is a bottom plan view thereof.

1 Claim, 3 Drawing Sheets



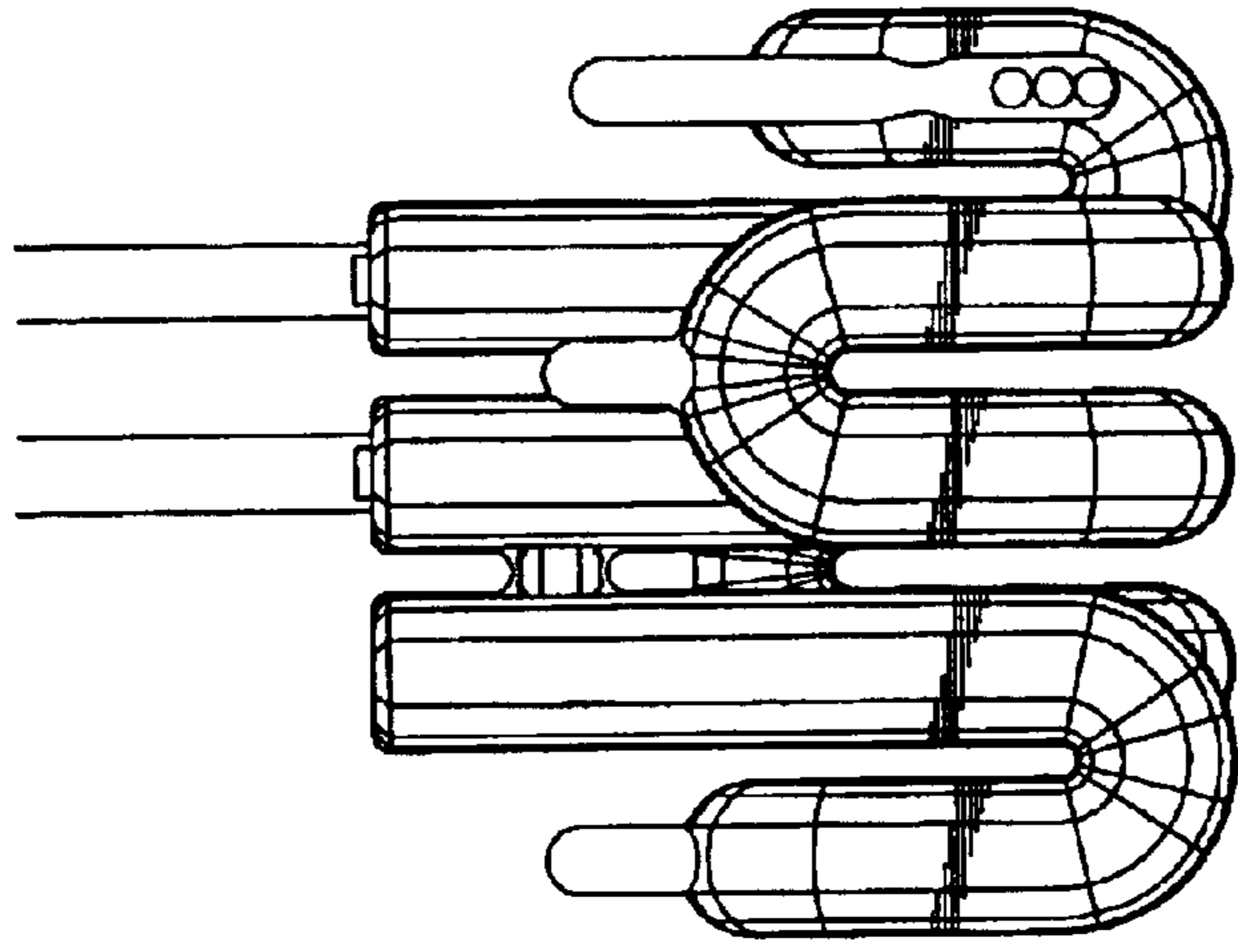


Fig. 2

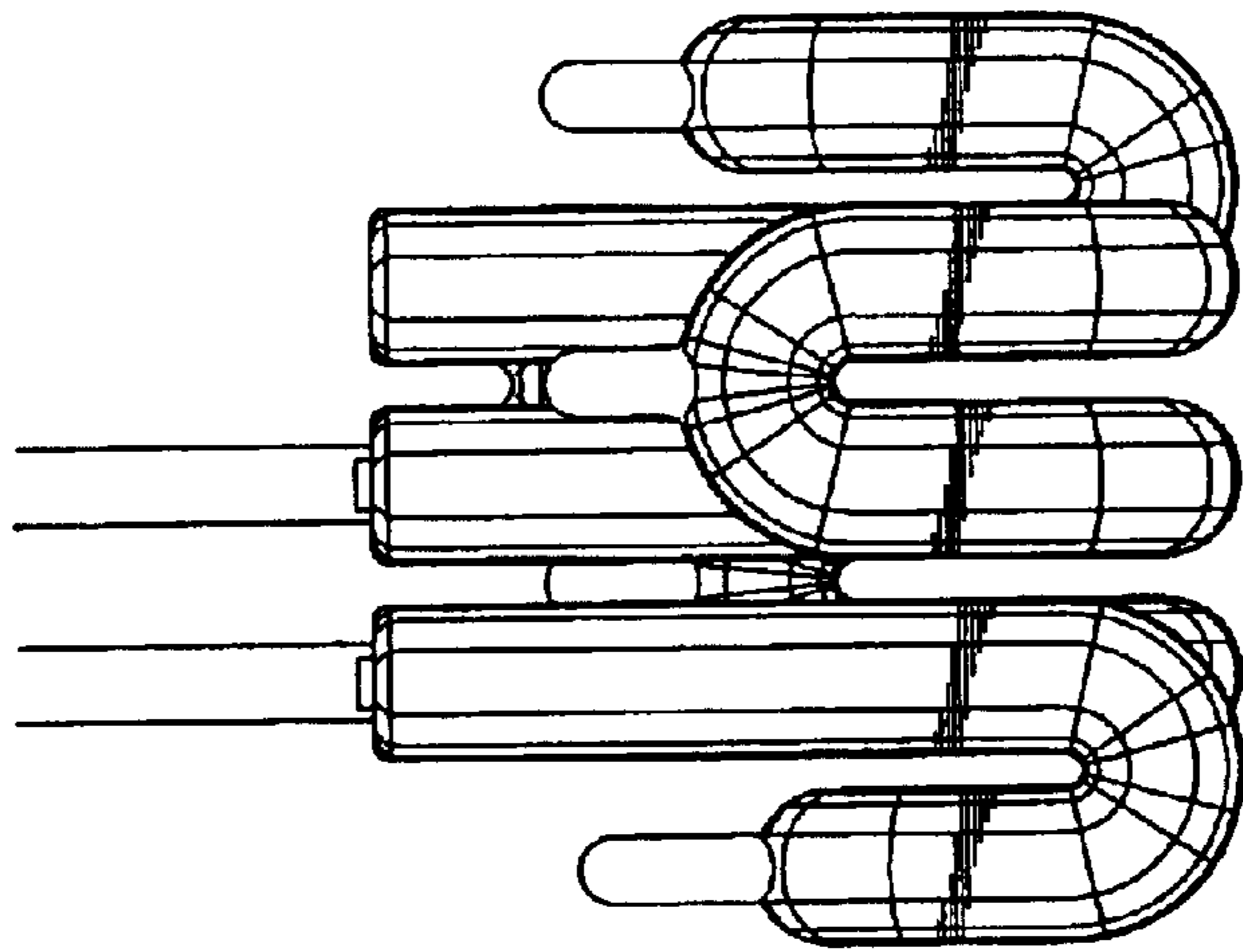


Fig. 1

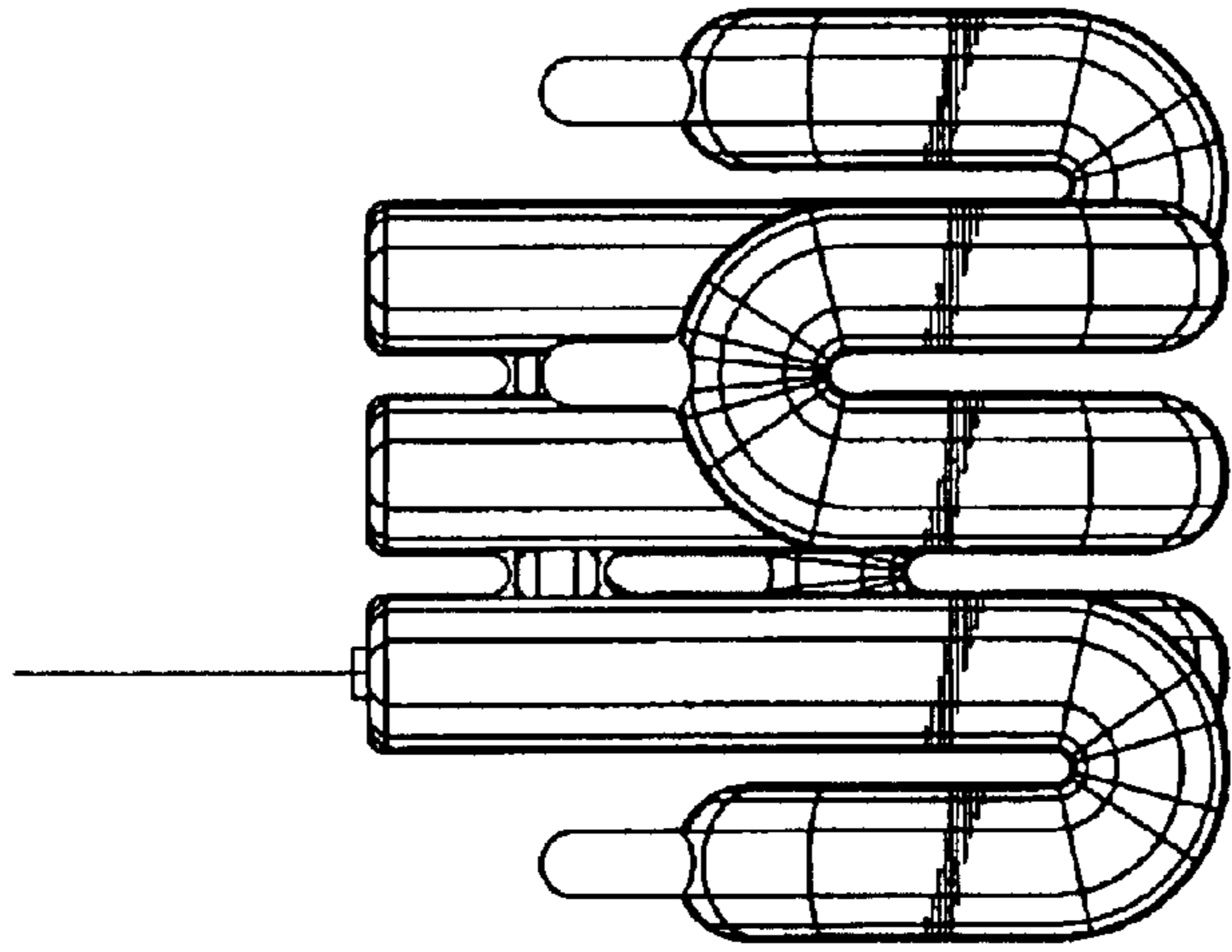


Fig. 4

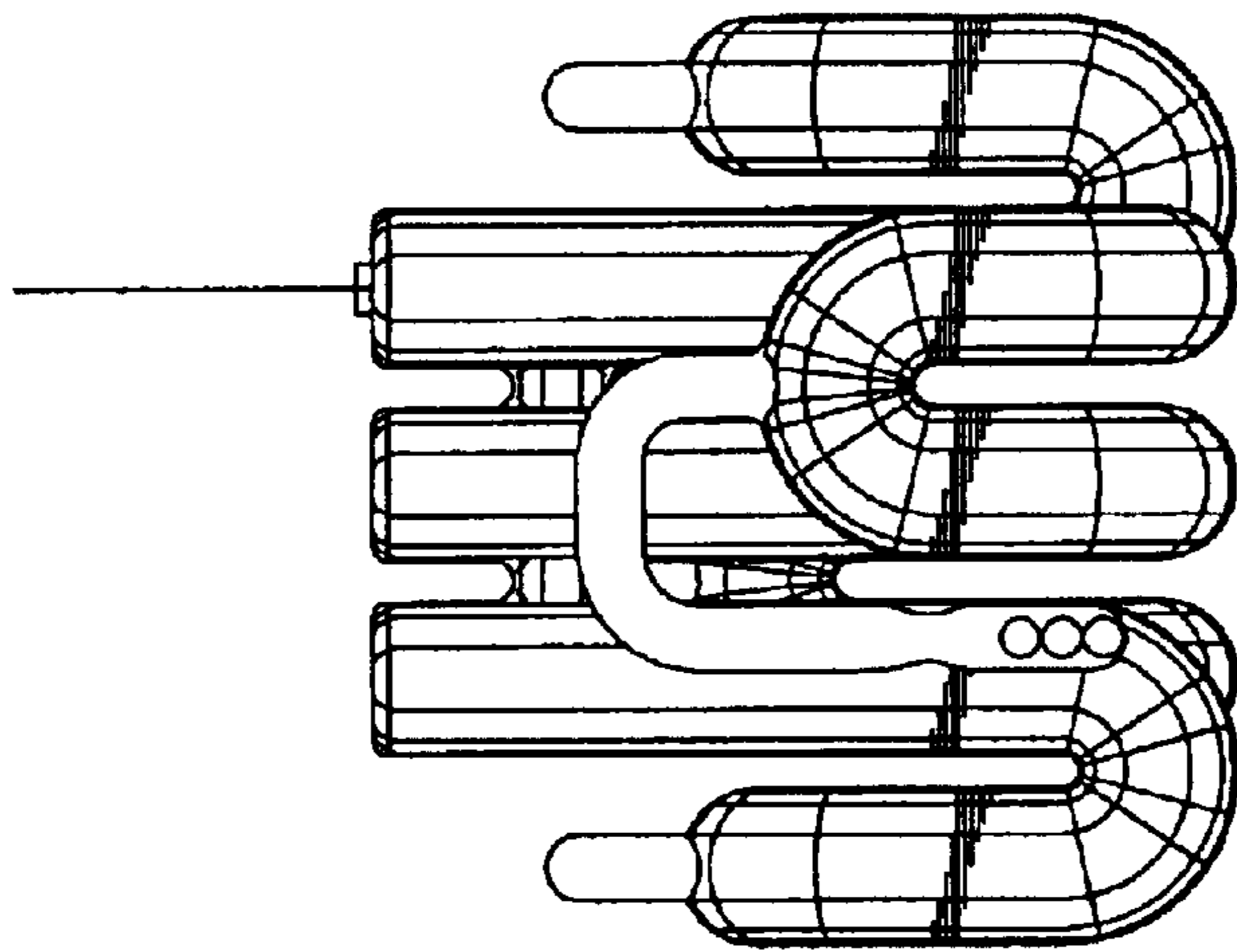


Fig. 3

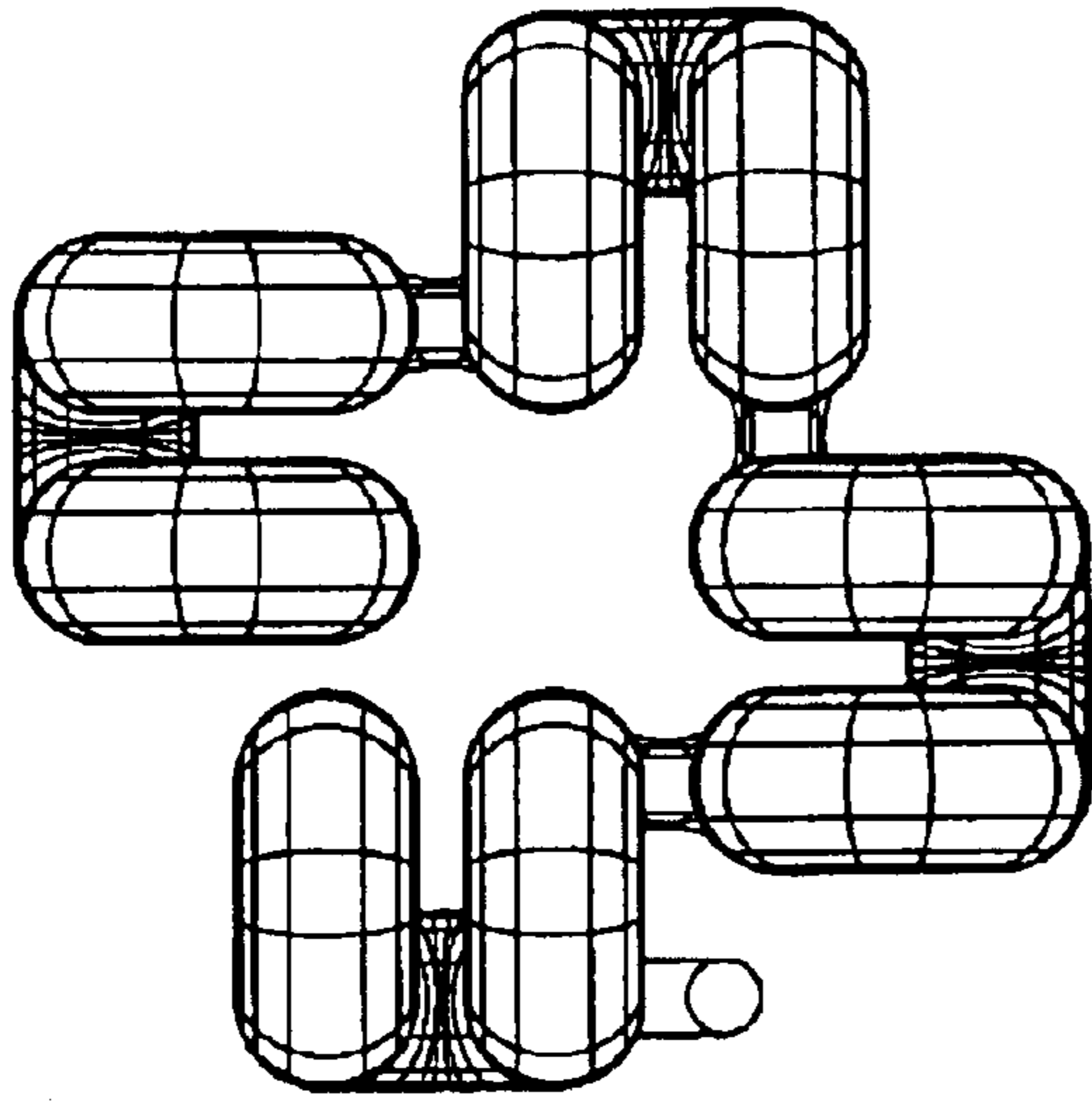


Fig. 6

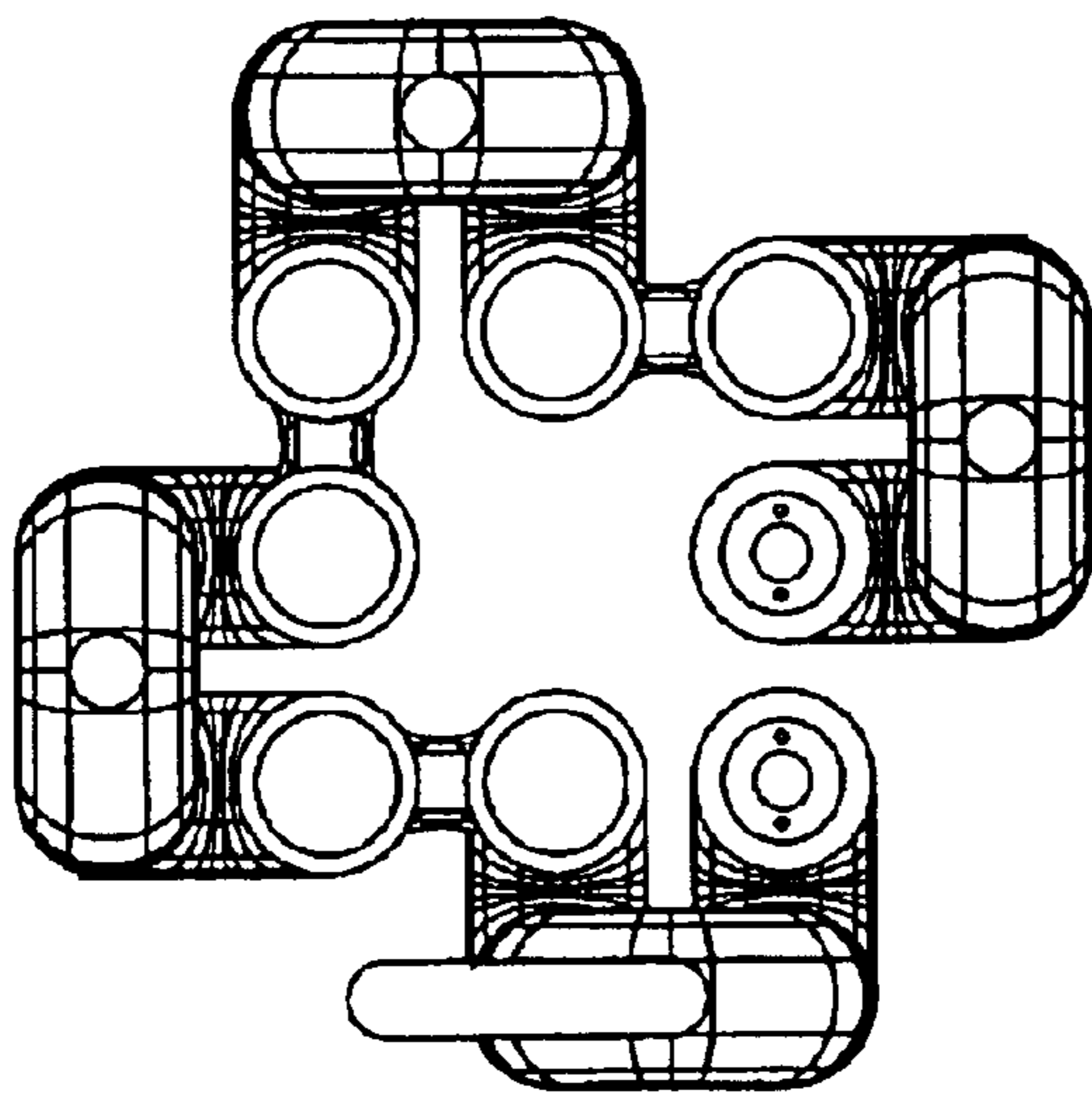


Fig. 5