



US00D490167S

(12) **United States Design Patent**
Eichner et al.

(10) **Patent No.:** **US D490,167 S**

(45) **Date of Patent:** **** May 18, 2004**

(54) **MOULDING**

D419,692 S 1/2000 Ancel D25/119

(75) Inventors: **Eugene Eichner**, Dix Hills, NY (US);
L. Gordon Van Vechten, St. James,
NY (US)

Primary Examiner—Doris Clark
(74) *Attorney, Agent, or Firm*—Kenyon & Kenyon

(73) Assignee: **Framerica Corporation**, Yaphank, NY
(US)

(57) **CLAIM**

(**) Term: **14 Years**

The ornamental design for a moulding, as shown and described.

(21) Appl. No.: **29/186,582**

DESCRIPTION

(22) Filed: **Jul. 18, 2003**

FIG. 1 is a perspective view of a moulding showing our new design;

Related U.S. Application Data

(62) Division of application No. 29/164,541, filed on Jul. 26, 2002, now Pat. No. Des. 480,483.

FIG. 2 is an end view thereof;

(51) **LOC (7) Cl.** **25-01**

(52) **U.S. Cl.** **D25/119**

FIG. 3 is a front view thereof;

(58) **Field of Search** D25/119, 136;
52/216.1, 218, 212.03, 287.1

FIG. 4 is a bottom view thereof; and,

FIG. 5 is a top view thereof.

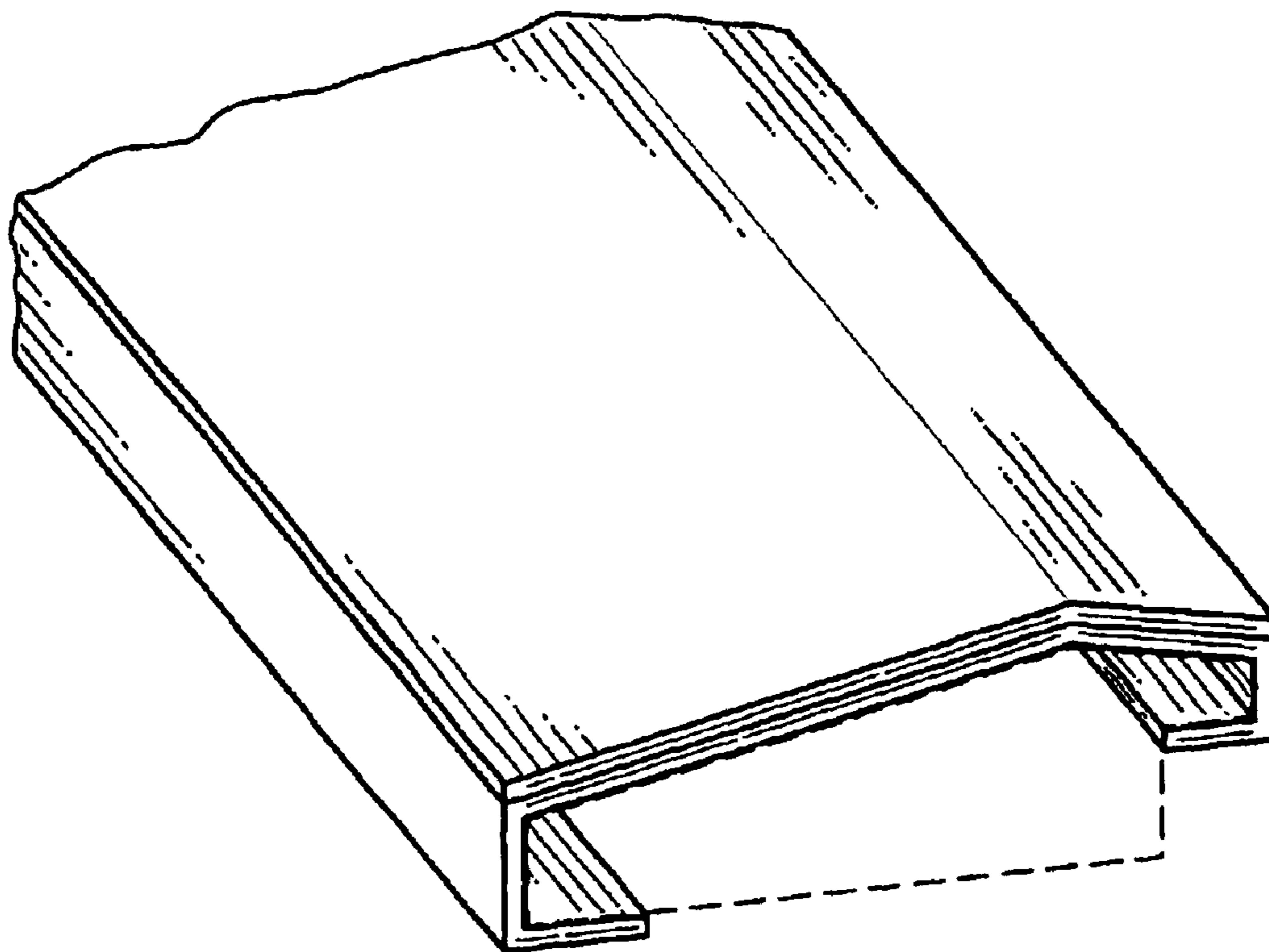
The fragmented lines indicate that the moulding continues indeterminately in the direction depicted. The single broken line portions are for illustrative purposes only and form no part of the claimed design.

(56) **References Cited**

U.S. PATENT DOCUMENTS

5,992,115 A 11/1999 Felix 52/718.01

1 Claim, 2 Drawing Sheets



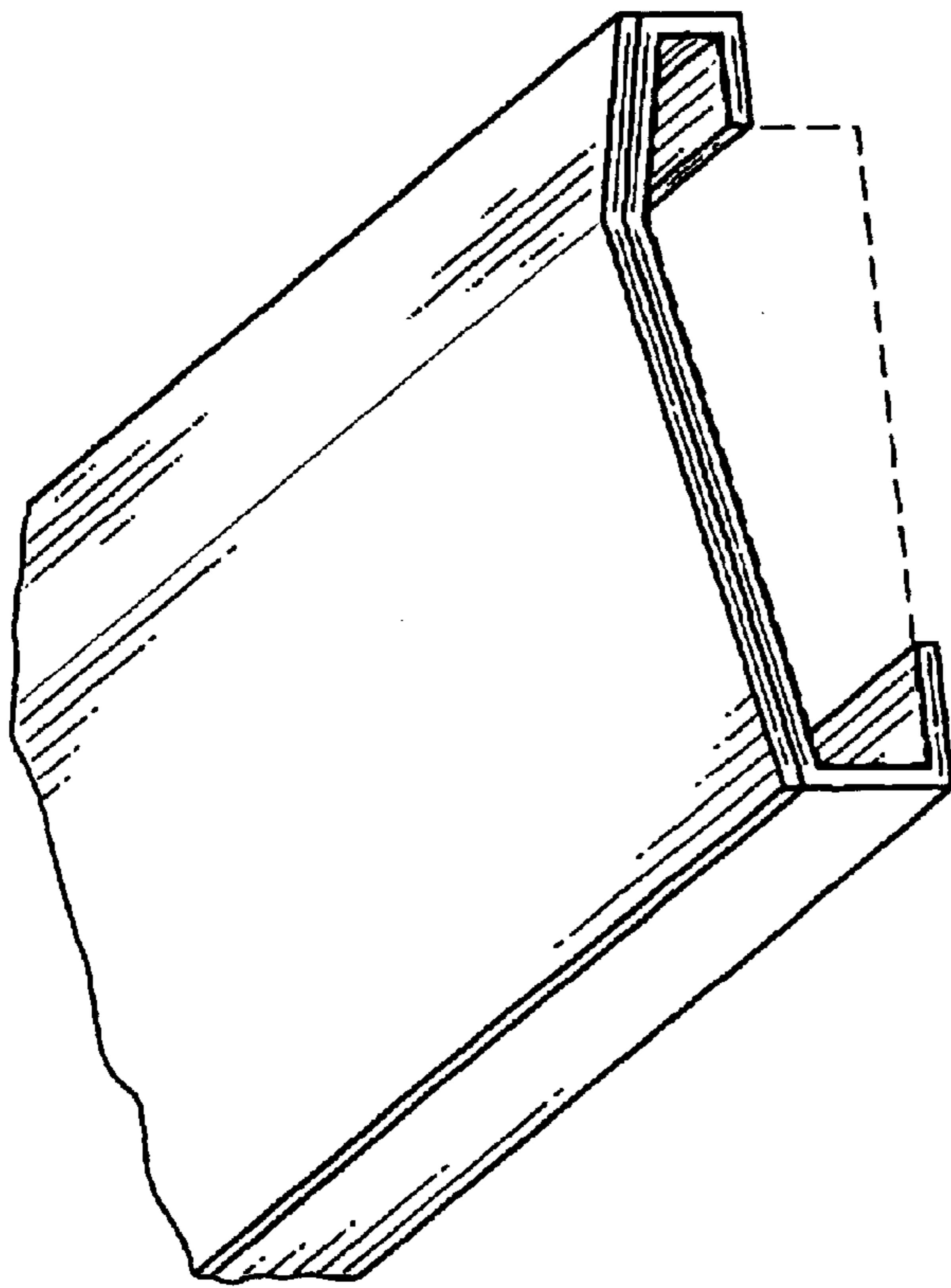


Fig. 1

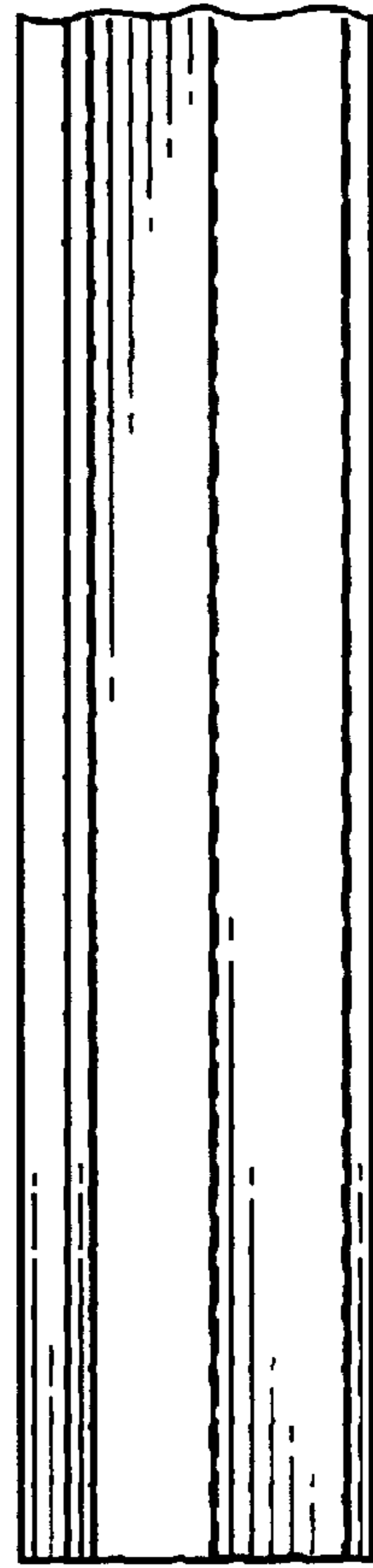


Fig. 3

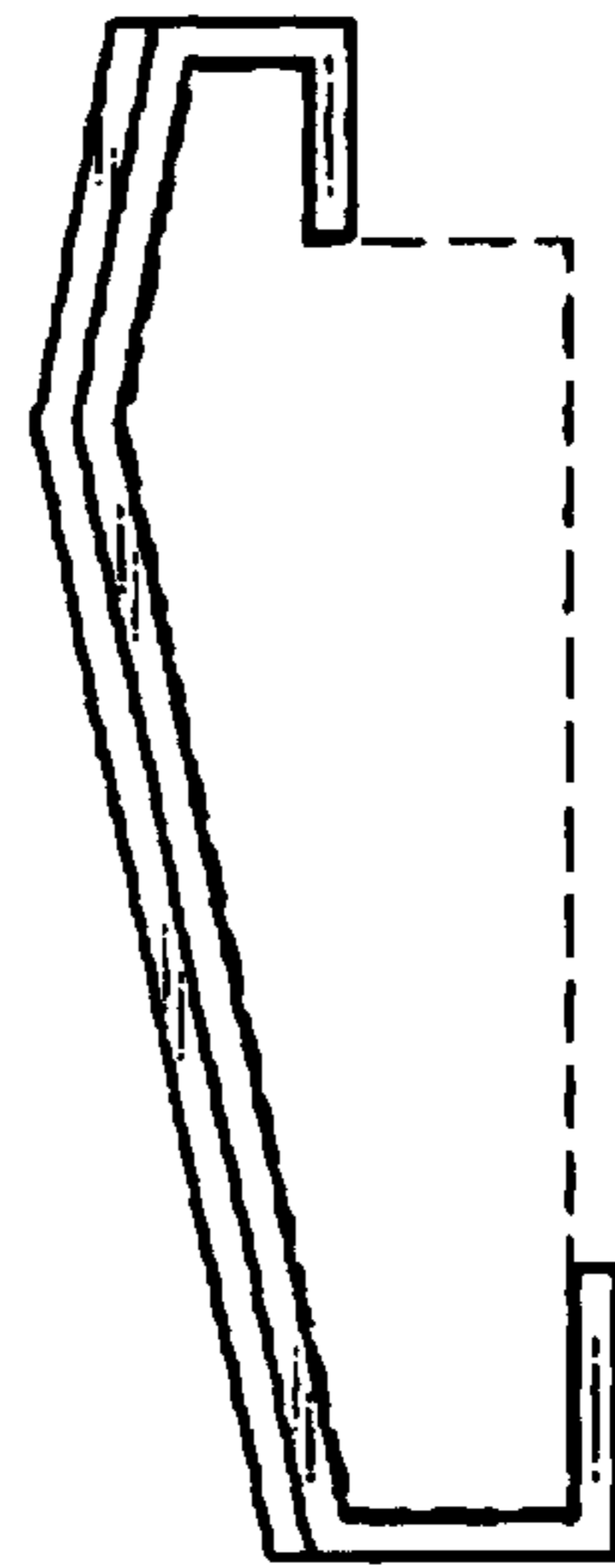


Fig. 2

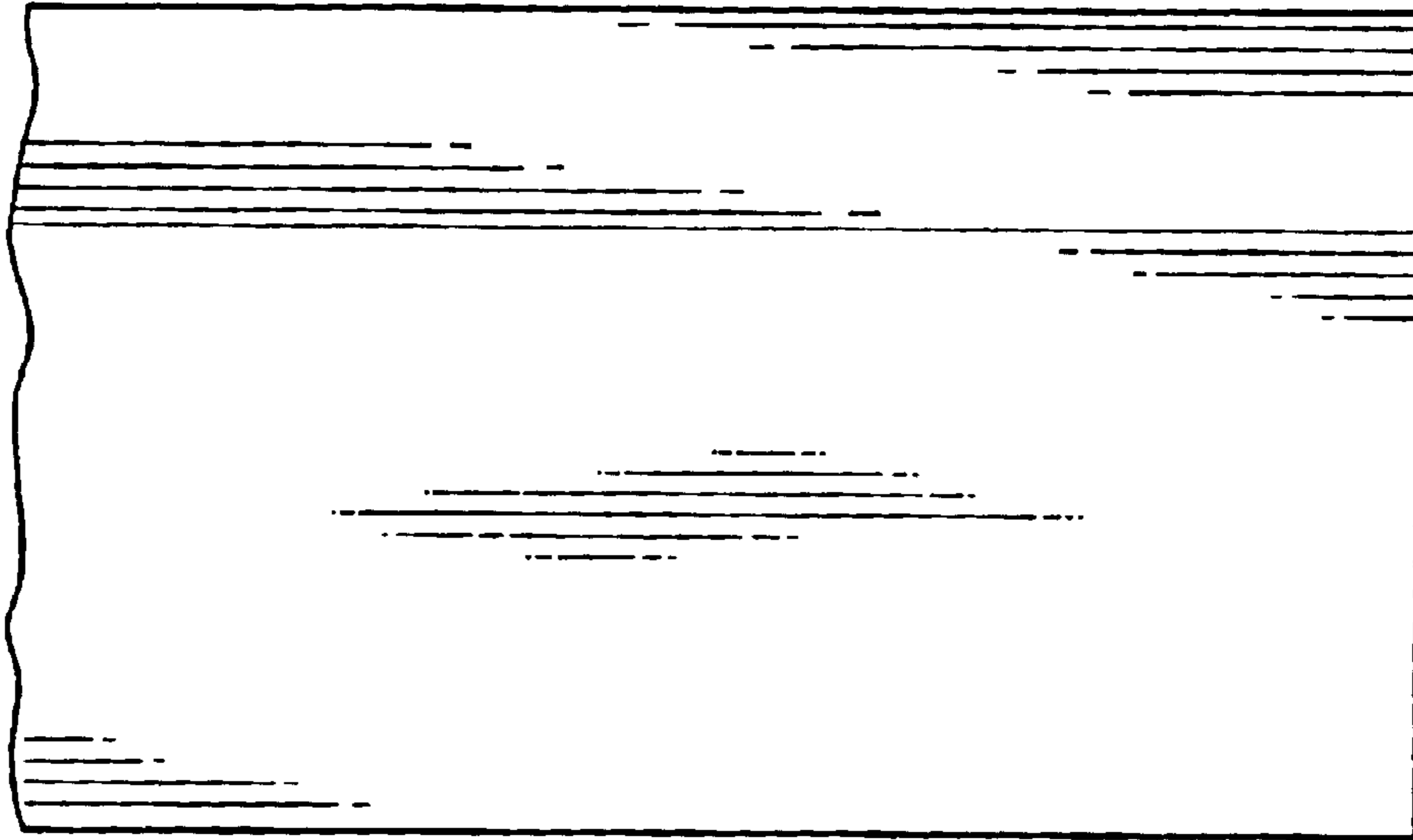


Fig. 5

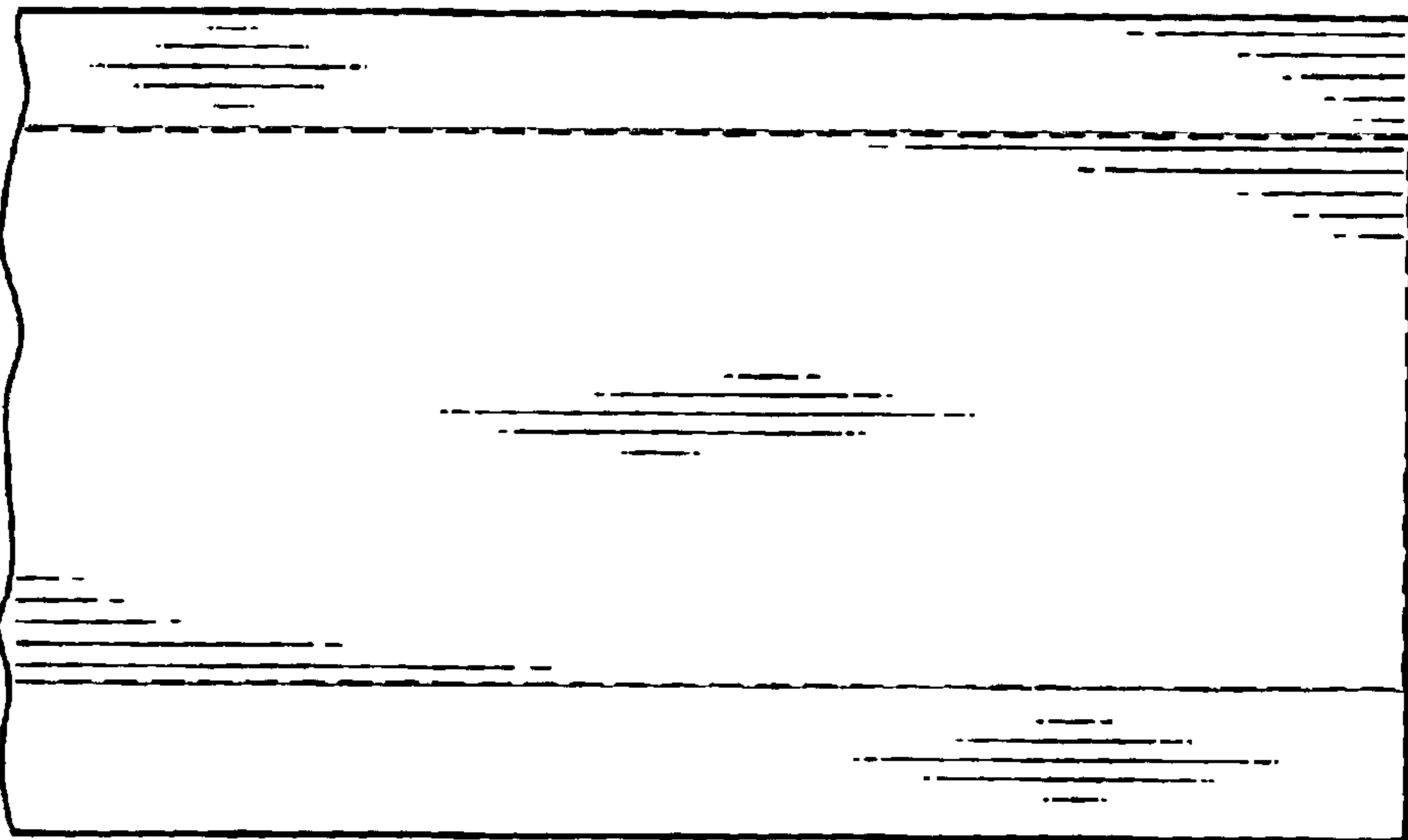


Fig. 4