



US00D490165S

(12) **United States Design Patent**
Yamaoka

(10) **Patent No.:** **US D490,165 S**

(45) **Date of Patent:** **** *May 18, 2004**

(54) **FOOTING PLATFORM ASSEMBLY FOR WORKING**

5,746,288 A * 5/1998 O'Neal et al. 182/118
D403,783 S * 1/1999 Takai D25/66

(75) Inventor: **Yutaka Yamaoka**, Takatsuki (JP)

* cited by examiner

(73) Assignee: **Alinco, Inc.**, Osaka-Fu (JP)

Primary Examiner—Doris Clark

(*) Notice: This patent is subject to a terminal disclaimer.

(74) *Attorney, Agent, or Firm*—Schweitzer Cornman Gross & Bondell LLP

(**) Term: **14 Years**

(57) **CLAIM**

The ornamental design for a footing platform assembly for working, as shown and described.

(21) Appl. No.: **29/181,647**

DESCRIPTION

(22) Filed: **May 14, 2003**

(51) **LOC (7) Cl.** **25-04**

(52) **U.S. Cl.** **D25/66**

(58) **Field of Search** D25/62, 66; 182/117,
182/118, 112, 222

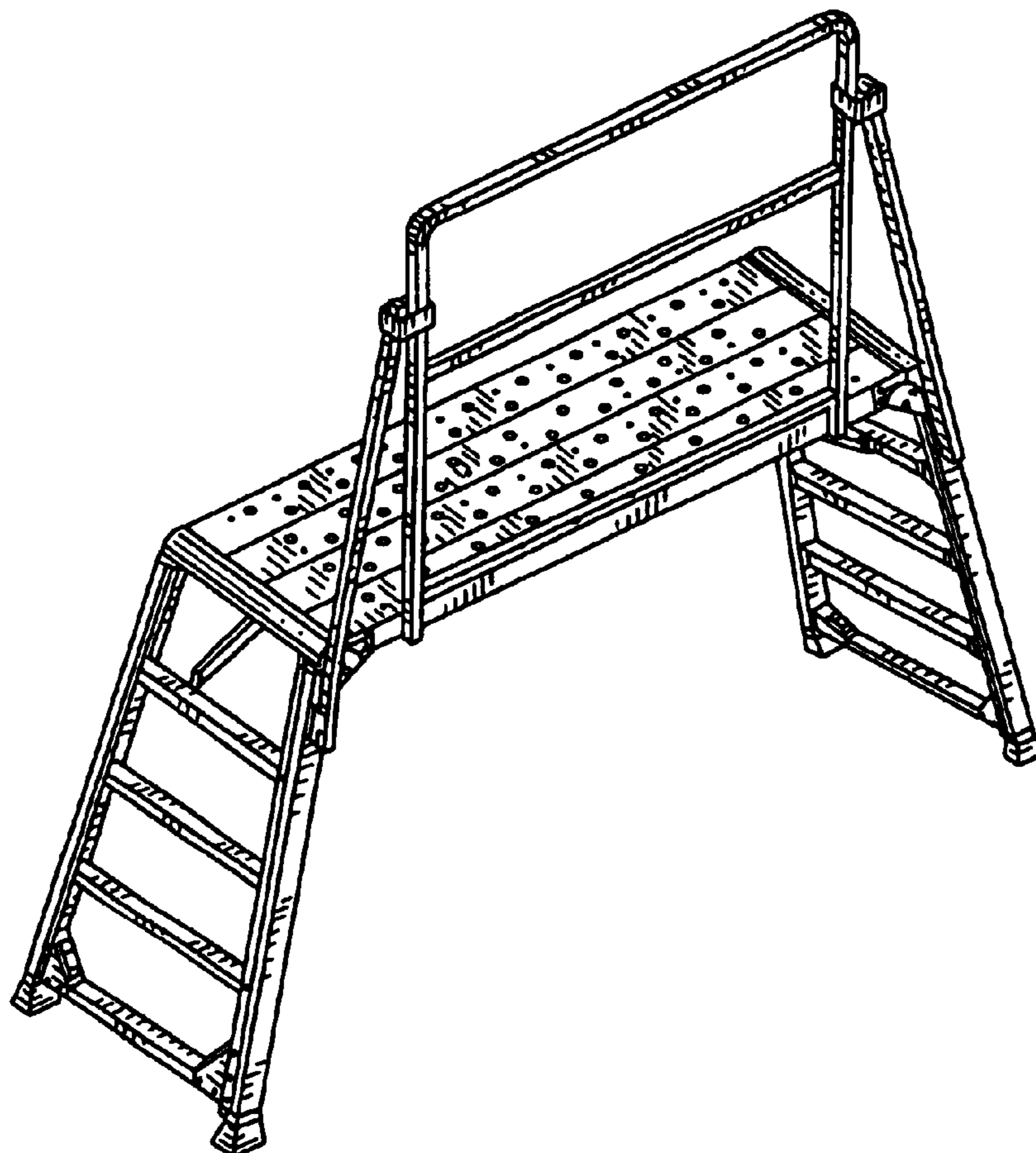
FIG. 1 is a front elevational view of the footing platform assembly for working in a condition that a pair of safety poles are erected above the platform part; FIG. 2 is a rear elevational view thereof; FIG. 3 is a top view thereof; FIG. 4 is a bottom view thereof; FIG. 5 is a right side elevational view thereof; and, FIG. 6 is a front elevational view of the footing platform assembly for working in a condition that a pair of safety poles are folded and put back along the one side leg part.

(56) **References Cited**

U.S. PATENT DOCUMENTS

472,406 A * 4/1892 Smith 182/118
D329,903 S * 9/1992 Craig D25/62
5,678,653 A * 10/1997 Clinch 182/118

1 Claim, 5 Drawing Sheets



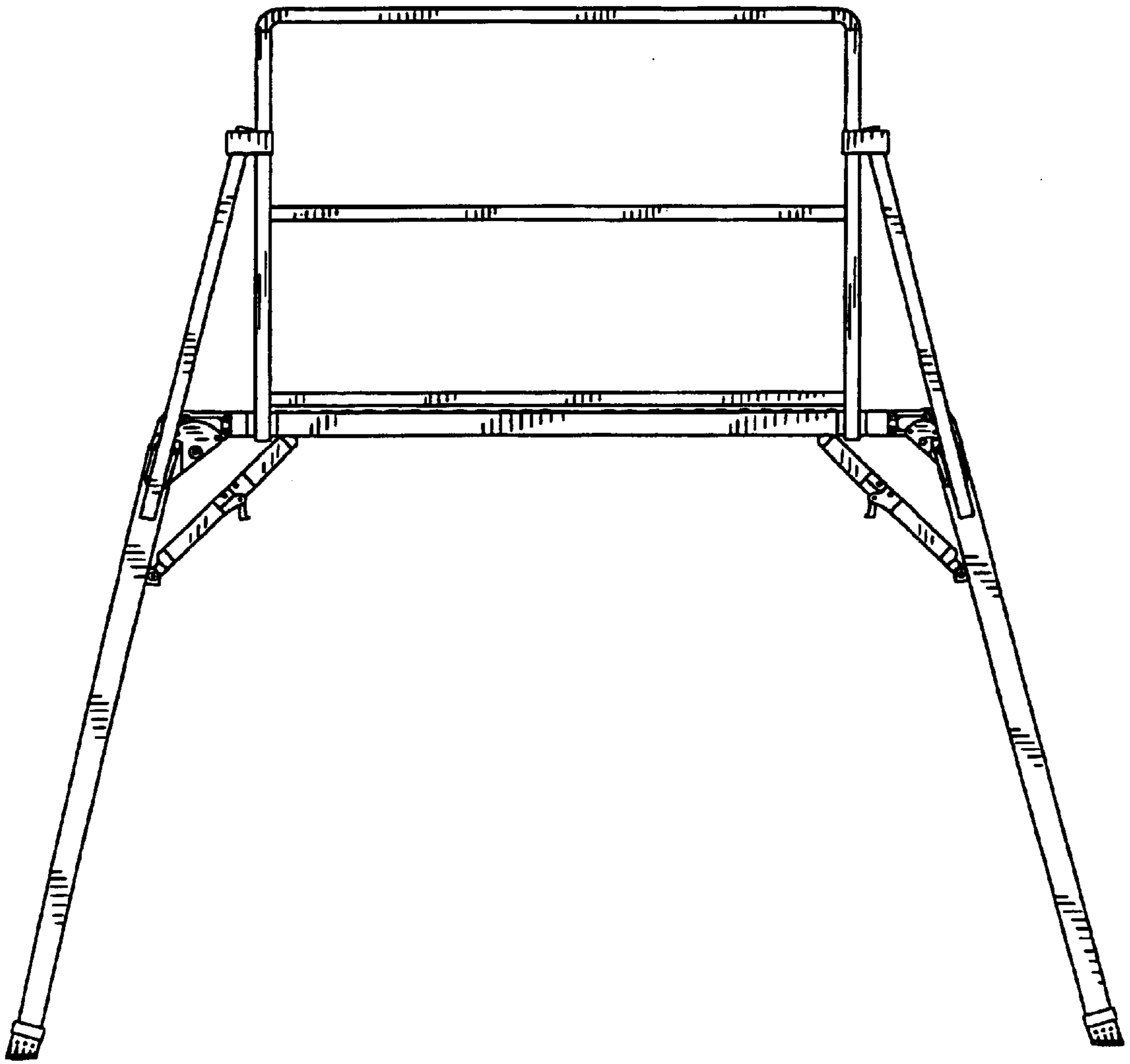


FIG. 1

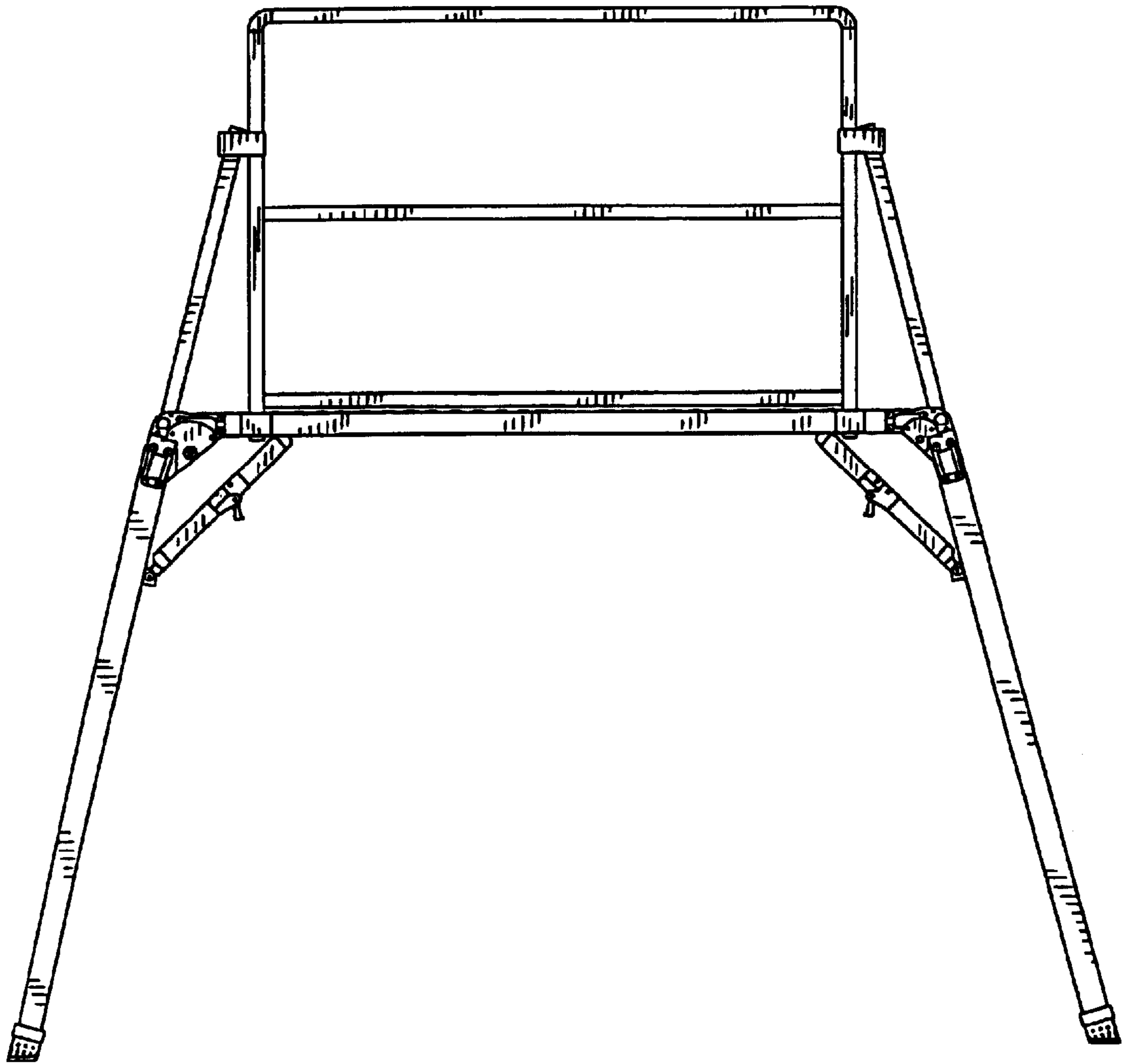


FIG. 2

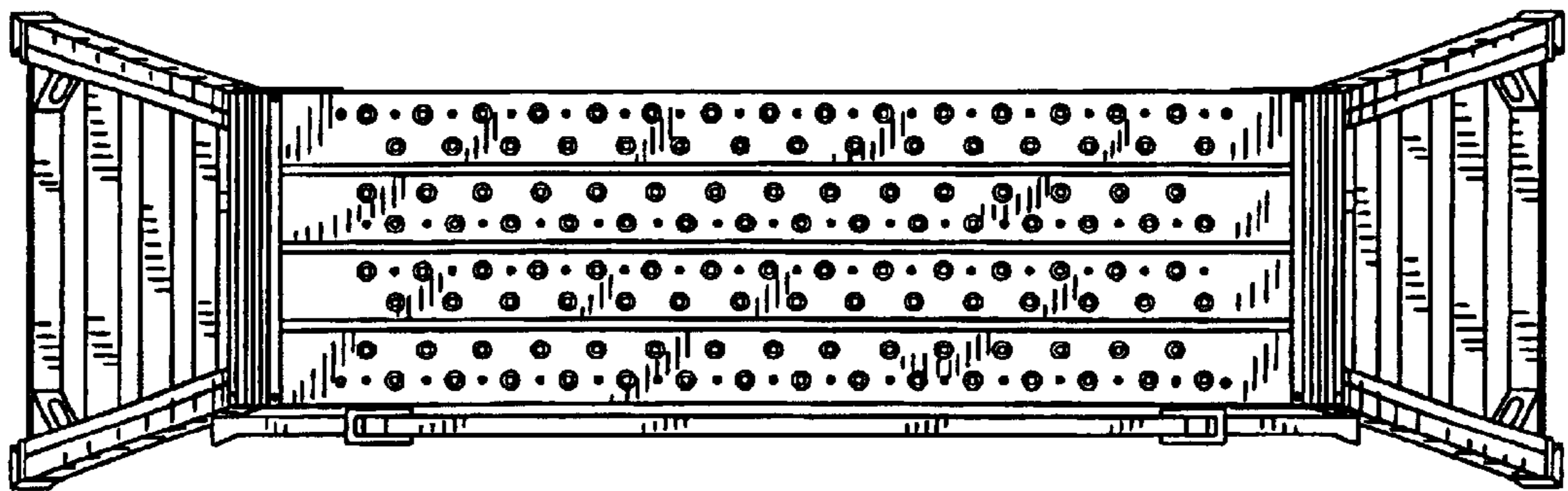


FIG. 3

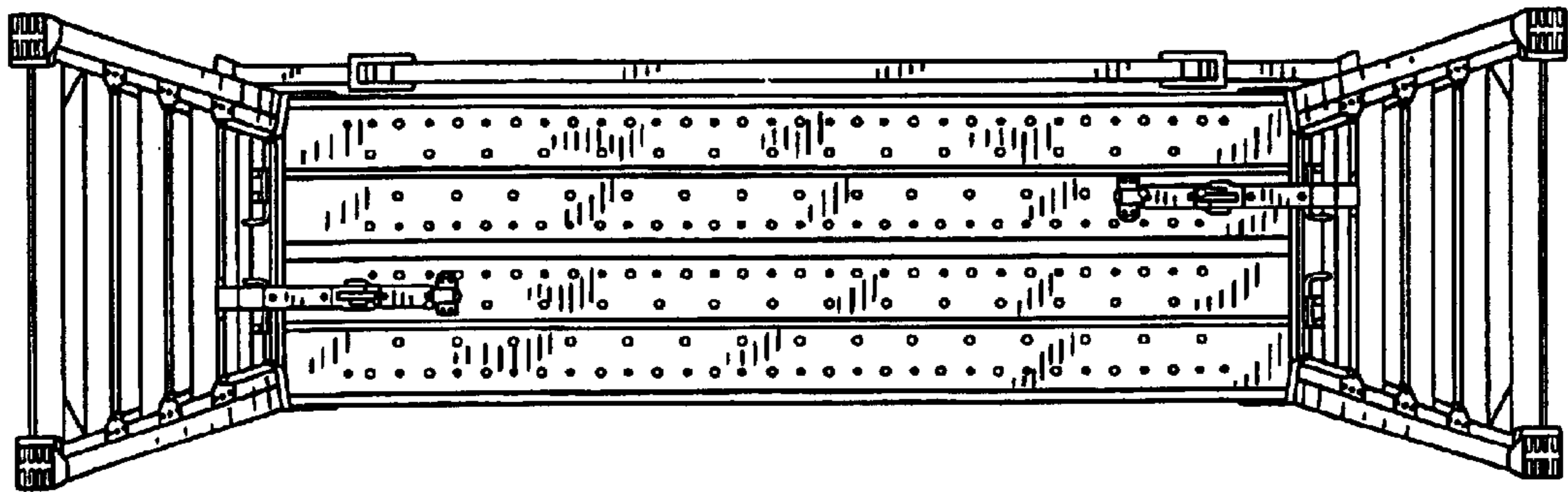


FIG. 4

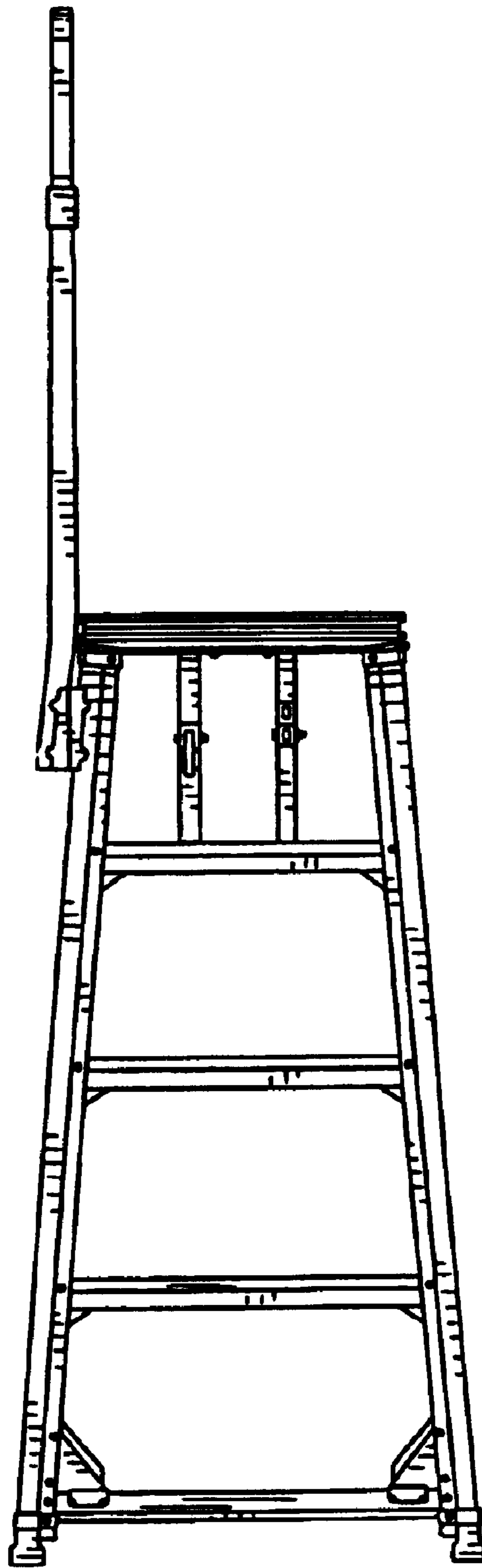


FIG. 5

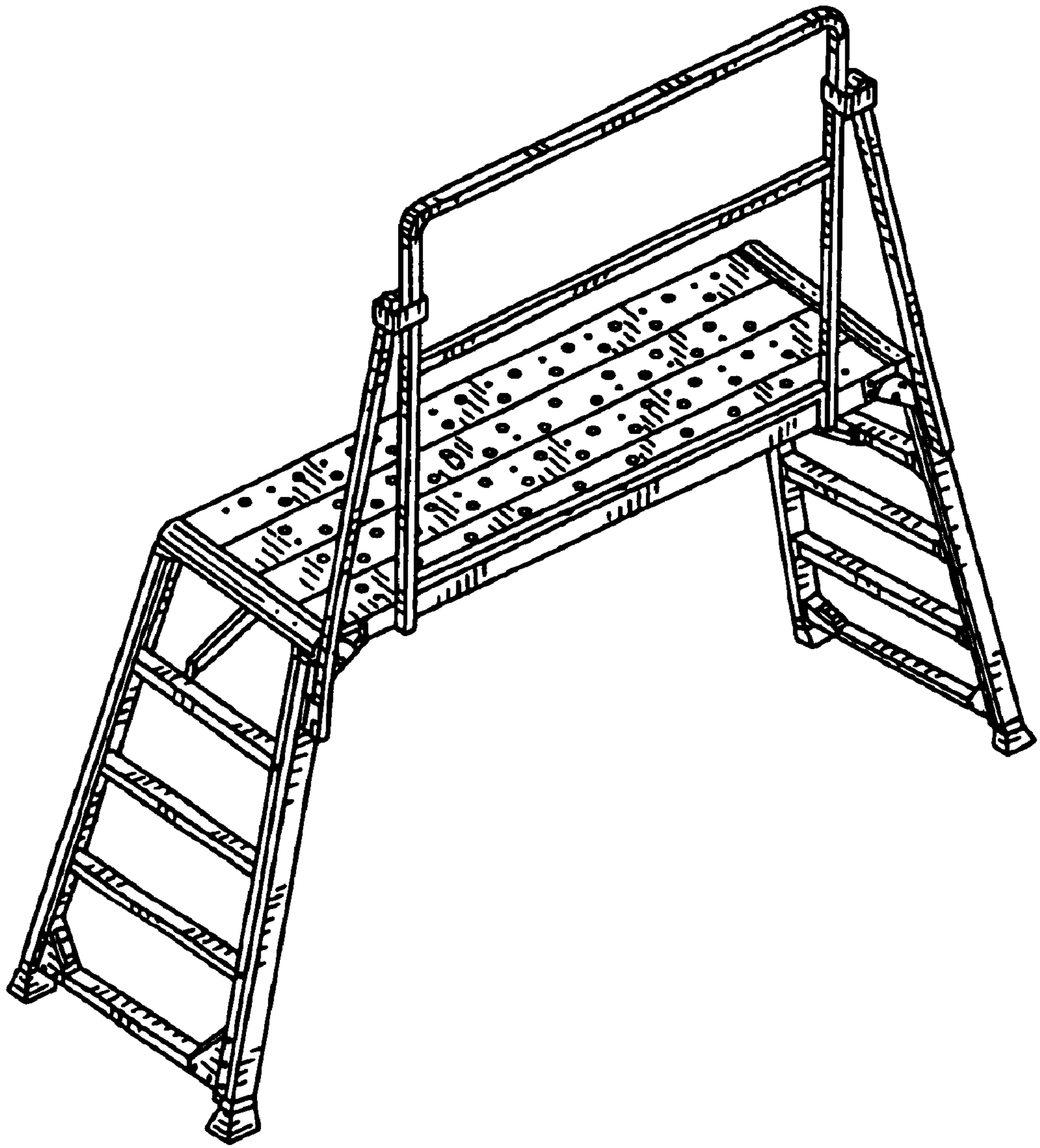


FIG. 6