



US00D490164S

(12) **United States Design Patent**  
**Yamaoka**

(10) **Patent No.:** **US D490,164 S**

(45) **Date of Patent:** **\*\* \*May 18, 2004**

(54) **FOOTING PLATFORM ASSEMBLY FOR WORKING**

(75) Inventor: **Yutaka Yamaoka**, Takatsuki (JP)

(73) Assignee: **Alinco, Inc.**, Osaka-Fu (JP)

(\* ) Notice: This patent is subject to a terminal disclaimer.

(\*\*) Term: **14 Years**

(21) Appl. No.: **29/181,645**

(22) Filed: **May 14, 2003**

(51) **LOC (7) Cl.** ..... **25-04**

(52) **U.S. Cl.** ..... **D25/66**

(58) **Field of Search** ..... D25/62, 66; 182/117, 182/118, 112, 222

(56) **References Cited**

**U.S. PATENT DOCUMENTS**

472,406	A	*	4/1892	Smith	.....	182/118
D329,903	S	*	9/1992	Craig	.....	D25/62
5,678,653	A	*	10/1997	Clinch	.....	182/118
5,746,288	A	*	5/1998	O'Neal et al.	.....	182/118
D403,783	S	*	1/1999	Takai	.....	D25/66

\* cited by examiner

*Primary Examiner*—Doris Clark  
(74) *Attorney, Agent, or Firm*—Schweitzer Cornman Gross & Bondell LLP

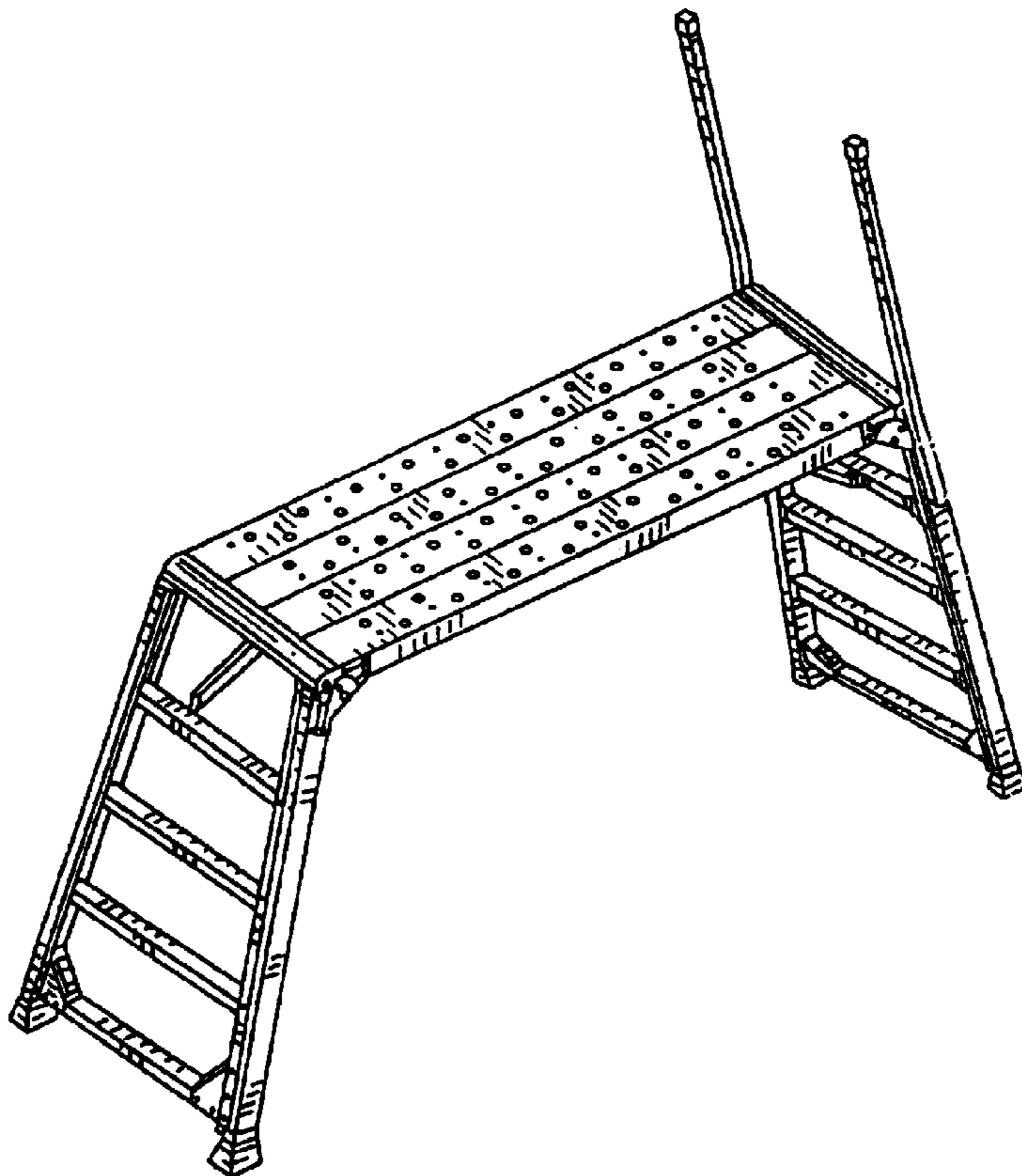
(57) **CLAIM**

The ornamental design for a footing platform assembly for working, as shown and described.

**DESCRIPTION**

FIG. 1 is a front elevational view of the footing platform assembly for working in a condition that a pair of safety poles are erected above the platform part; FIG. 2 is a top view thereof; FIG. 3 is a bottom view thereof; FIG. 4 is a right side elevational view thereof; FIG. 5 is a left side elevational view thereof; FIG. 6 is a front elevational view of the footing platform assembly for working in a condition that a pair of safety poles are folded and put back along the one side leg part; FIG. 7 is a right side elevational view thereof in the same condition as in FIG. 6; and, FIG. 8 is a perspective view of the footing platform assembly for working in a condition that a pair of safety poles are erected above the platform part.

**1 Claim, 7 Drawing Sheets**



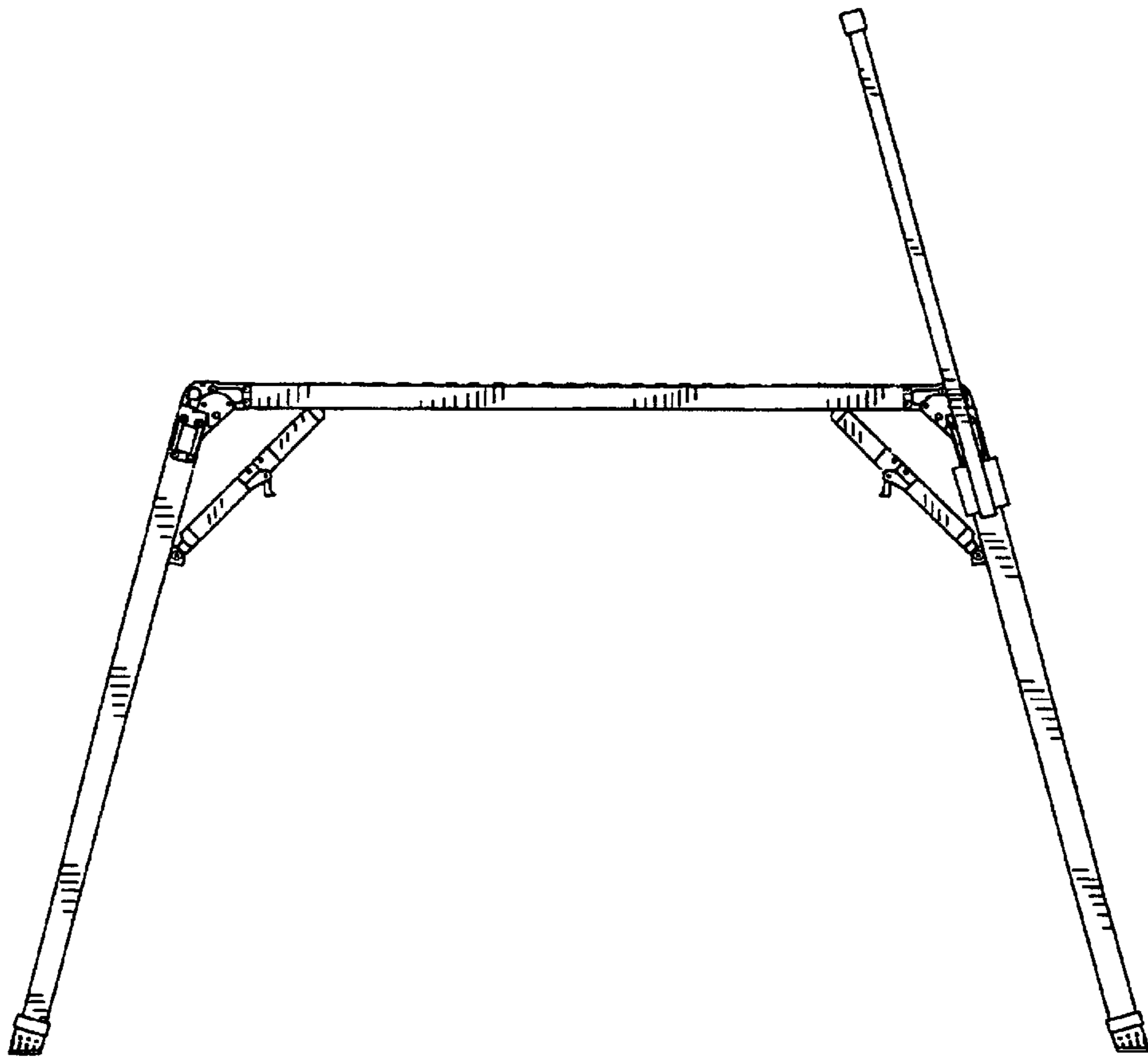


FIG. 1

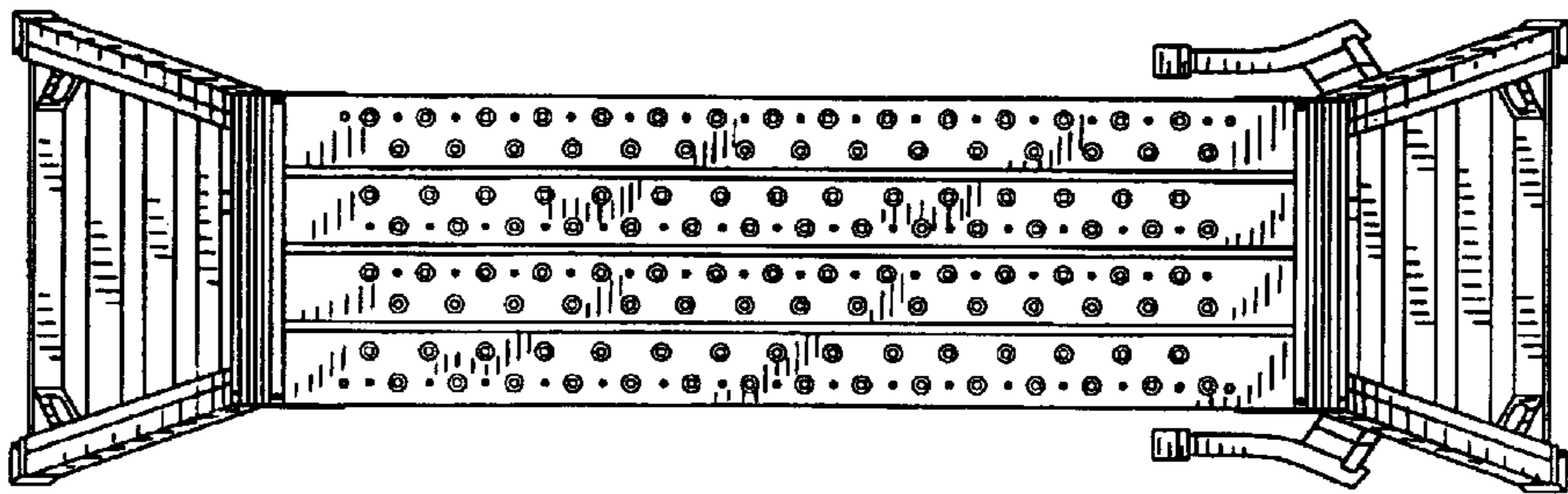


FIG. 2

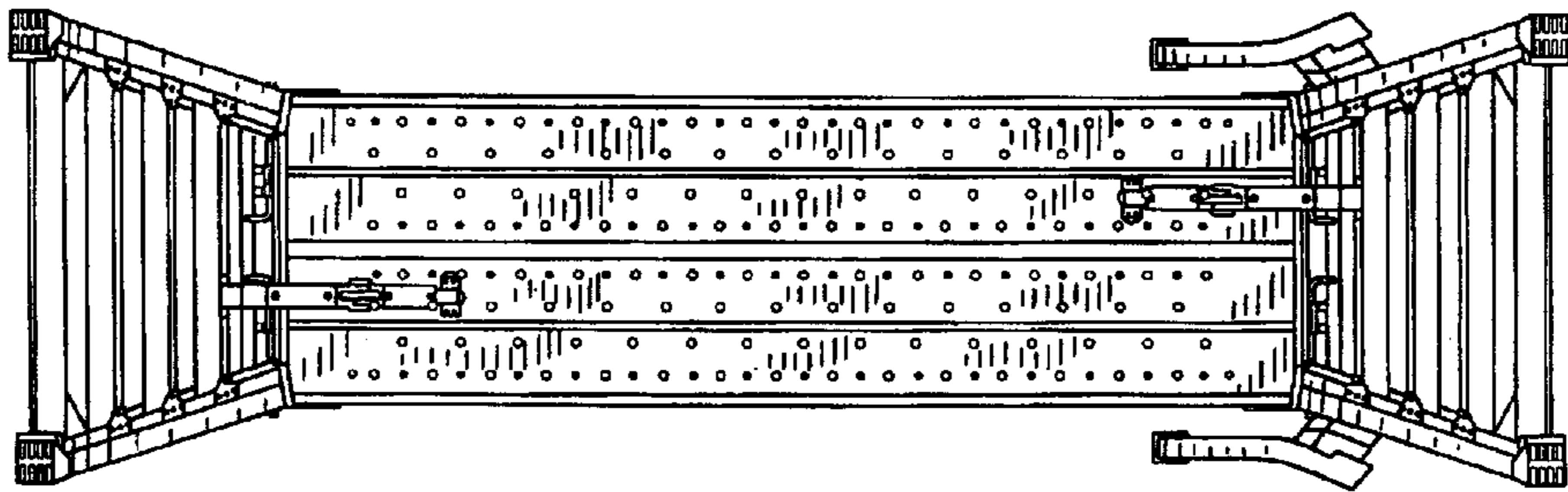


FIG. 3

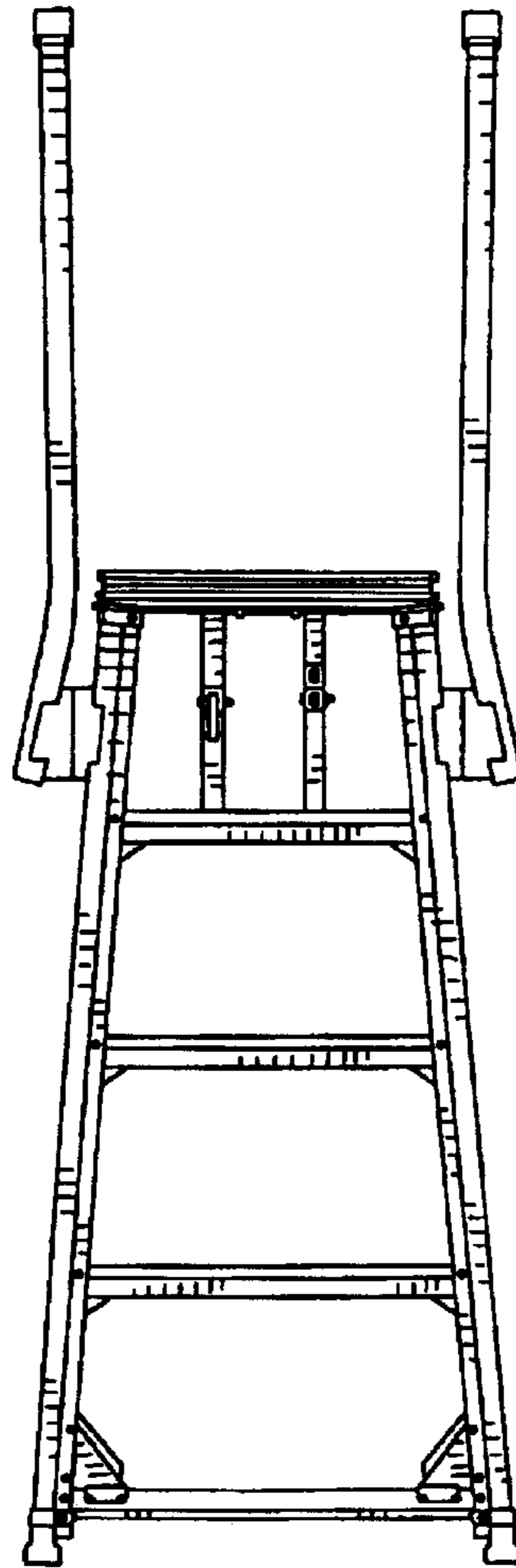


FIG. 4

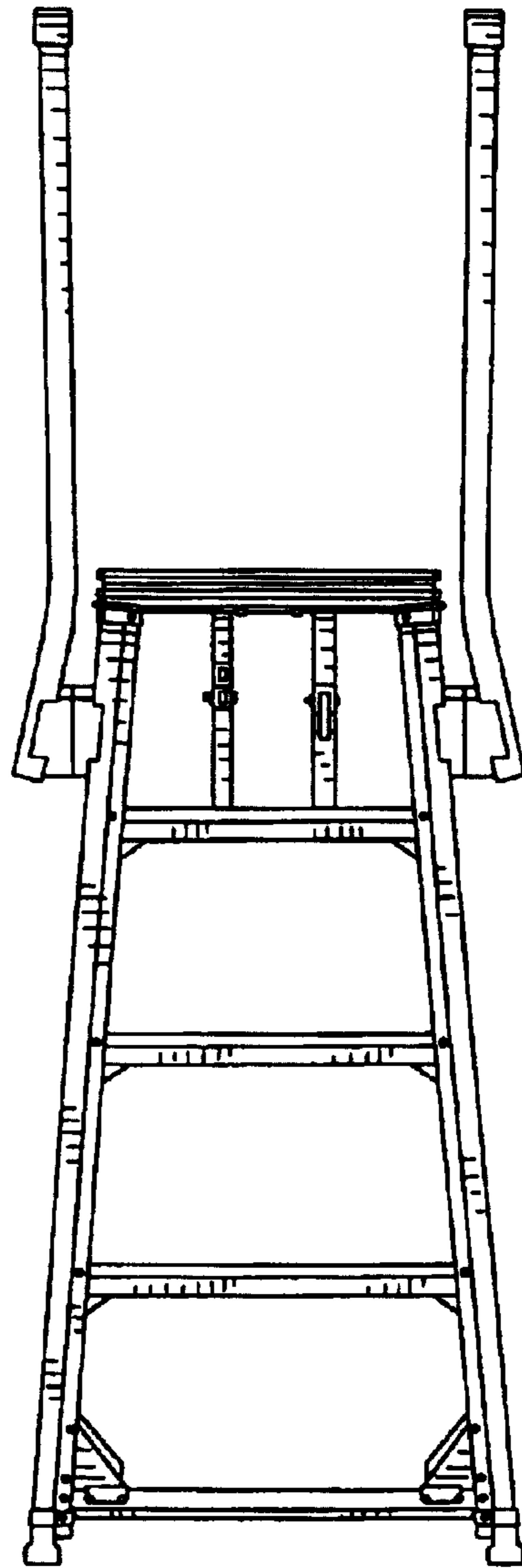


FIG. 5

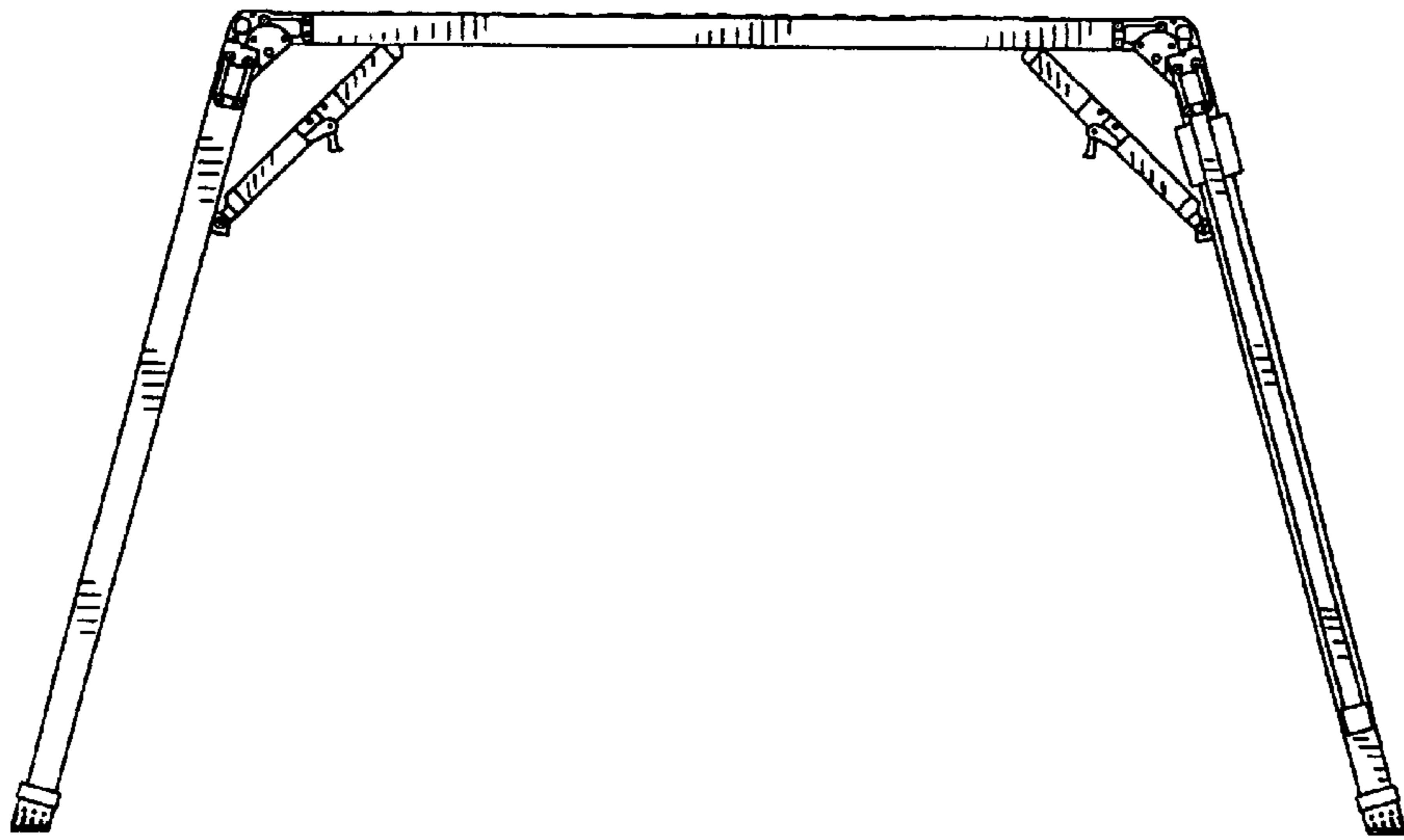
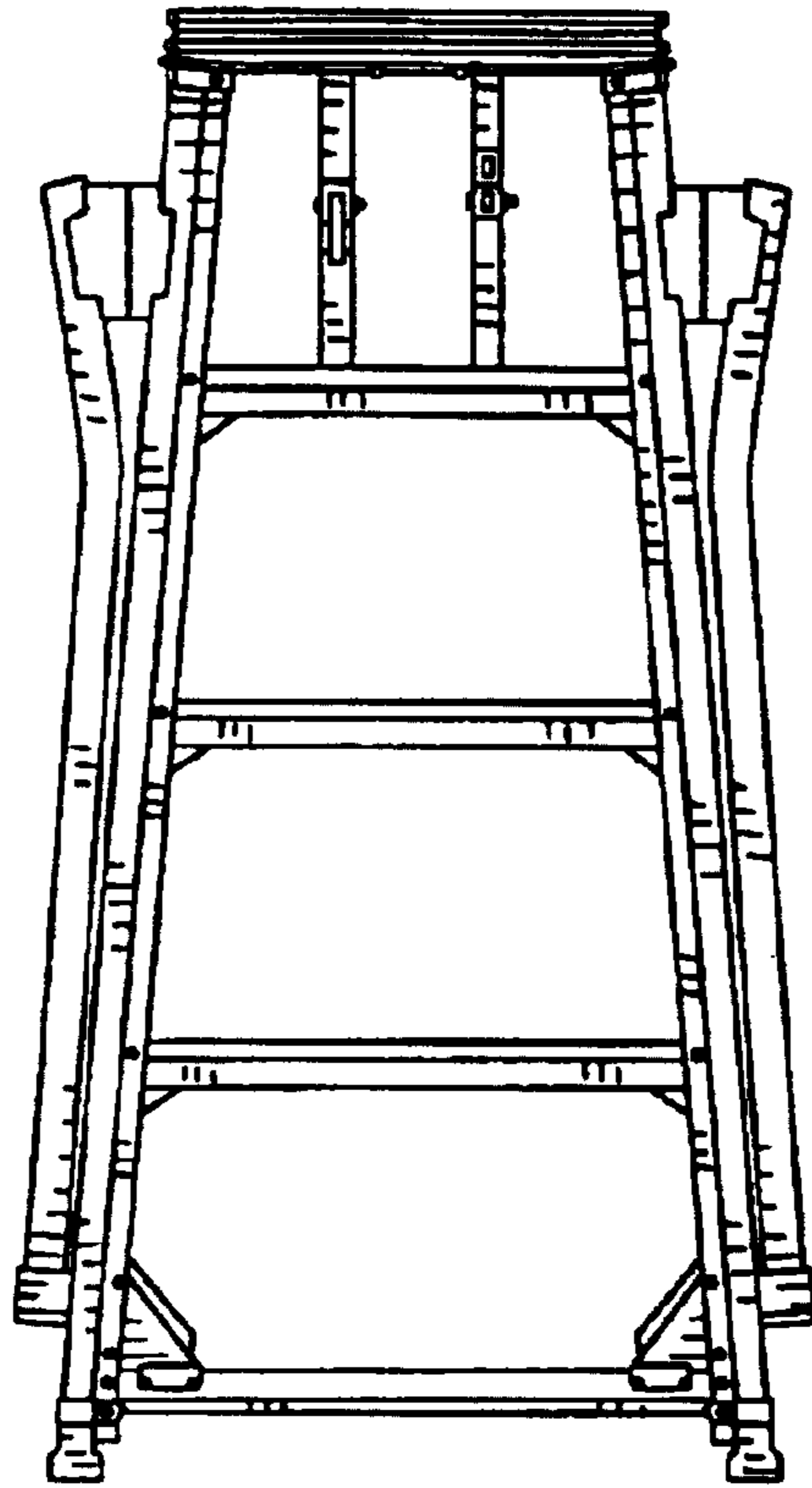


FIG. 6



*FIG. 7*

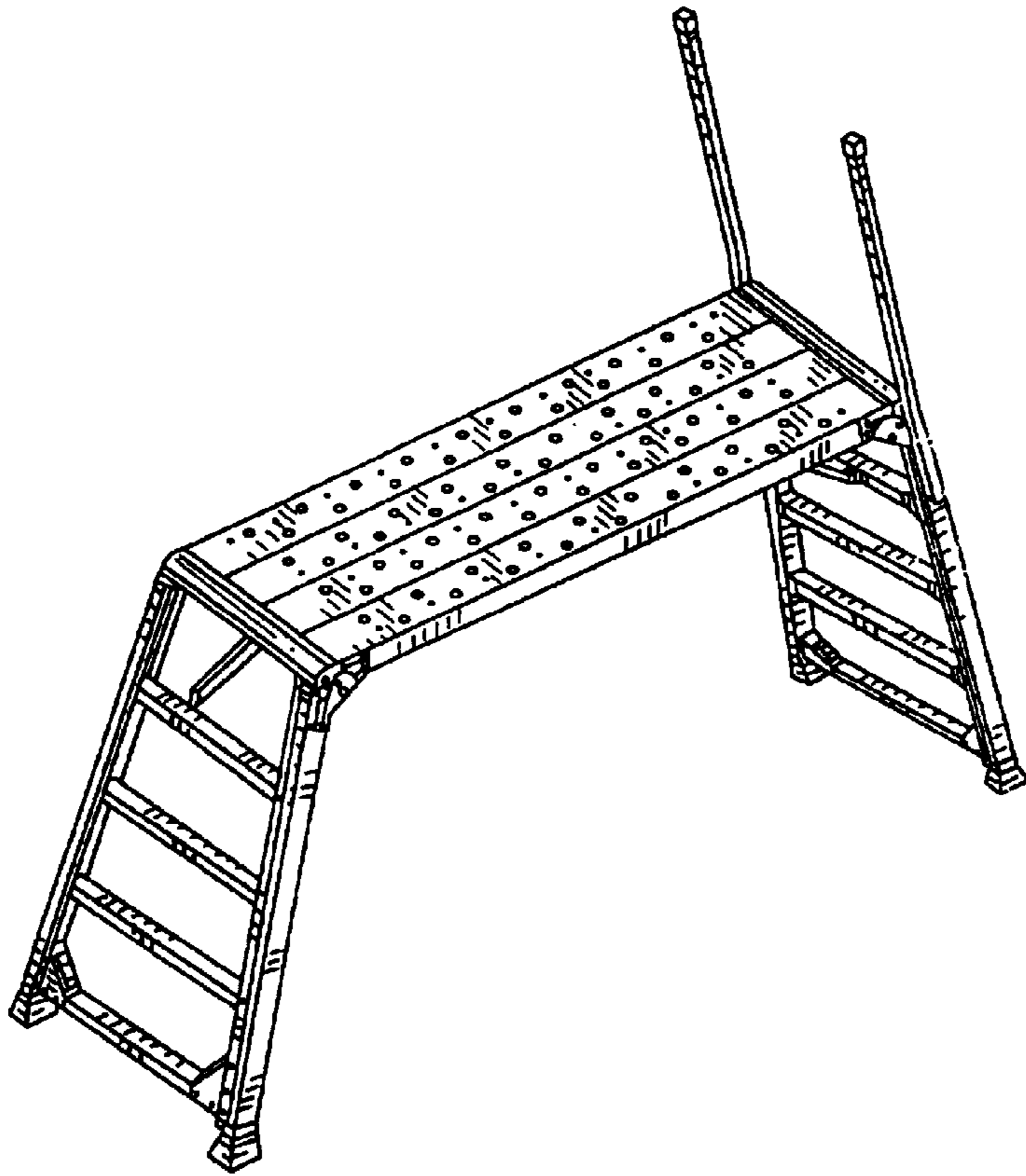


FIG. 8