



US00D490159S

(12) **United States Design Patent**  
**Sand**

(10) **Patent No.:** **US D490,159 S**

(45) **Date of Patent:** **\*\* May 18, 2004**

(54) **HAND-HELD MIXER FOR FLOWABLE MATERIALS**

6,406,175 B1 \* 6/2002 Marino ..... 366/139

**FOREIGN PATENT DOCUMENTS**

(75) Inventor: **Paul M. Sand**, San Carlos, CA (US)

DE 299 22 445 4/2000

(73) Assignee: **Kyphon Inc.**, Sunnyvale, CA (US)

WO WO 86/06618 11/1986

WO WO 96/40424 12/1996

(\*\*) Term: **14 Years**

**OTHER PUBLICATIONS**

(21) Appl. No.: **29/168,640**

U.S. Provisional Application Ser. No. 60/243,195 filed Oct. 25, 2000 Title: Systems and Methods for Dispensing Flowable Materials.

(22) Filed: **Oct. 4, 2002**

\* cited by examiner

(51) **LOC (7) Cl.** ..... **24-02**

(52) **U.S. Cl.** ..... **D24/220; D7/412**

(58) **Field of Search** ..... D24/220, 216;  
D7/412; 606/93, 92, 94; 366/139, 243,  
288, 142, 255

*Primary Examiner*—Ian Simmons

(74) *Attorney, Agent, or Firm*—Ryan Kromholz & Manion, S.C.

(57) **CLAIM**

(56) **References Cited**

The ornamental design of a hand-held mixer for flowable materials, as shown and described.

**U.S. PATENT DOCUMENTS**

**DESCRIPTION**

D279,499 S	7/1985	Case	
5,348,391 A *	9/1994	Murray	366/139
5,415,474 A	5/1995	Nelson et al.	
5,549,381 A	8/1996	Hays et al.	
D381,084 S *	7/1997	Vish	D24/220
5,797,679 A	8/1998	Grulke et al.	
5,842,785 A	12/1998	Brown et al.	
6,033,105 A	3/2000	Barker et al.	
6,120,174 A *	9/2000	Hoag et al.	366/139
6,176,607 B1	1/2001	Hajianpour	
6,210,031 B1 *	4/2001	Murray	366/139

FIG. 1 is a perspective view of a hand held mixer incorporating my new design.

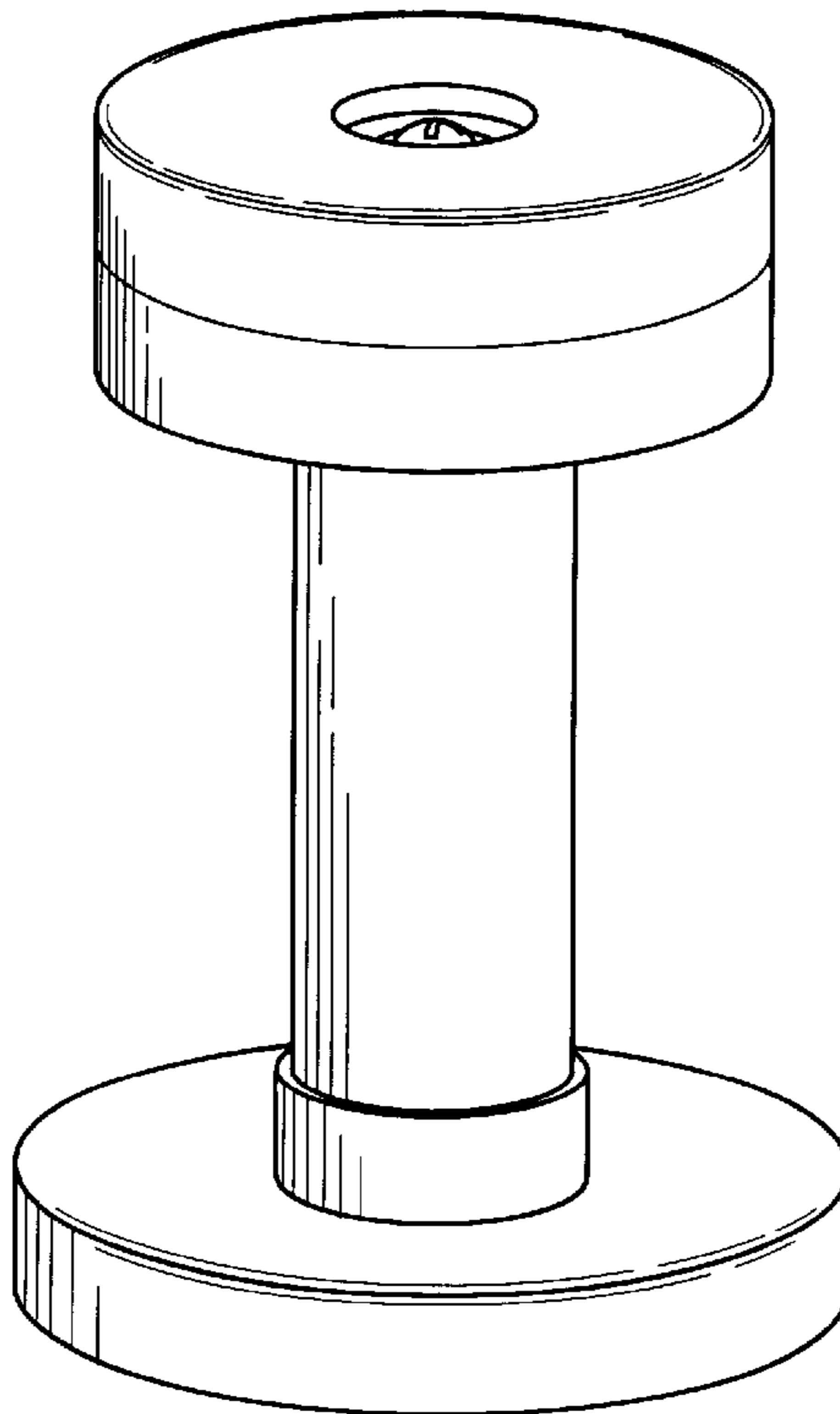
FIG. 2 is a top plan view thereof;

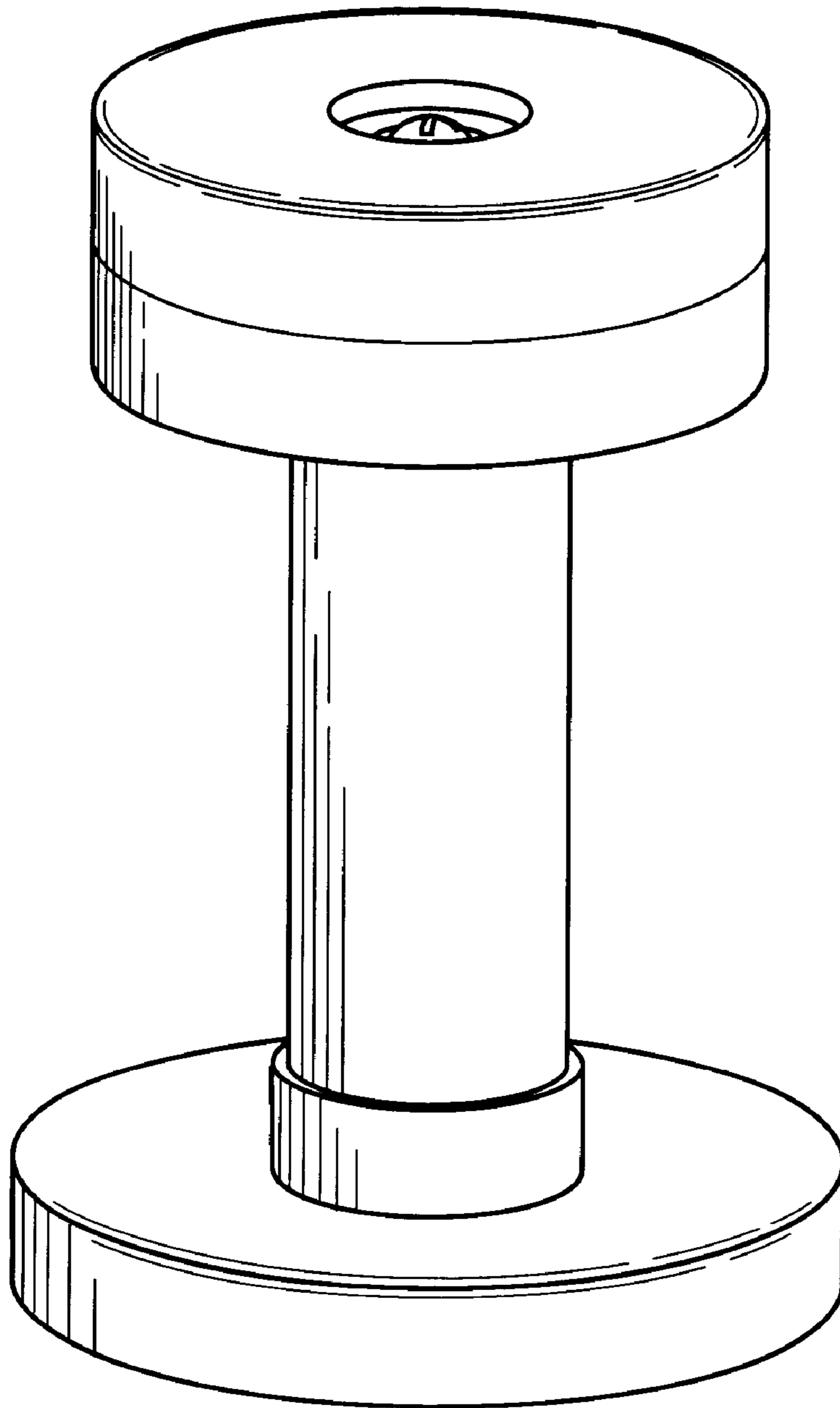
FIG. 3 is a bottom plan view thereof;

FIG. 4 is a front plan view thereof; and,

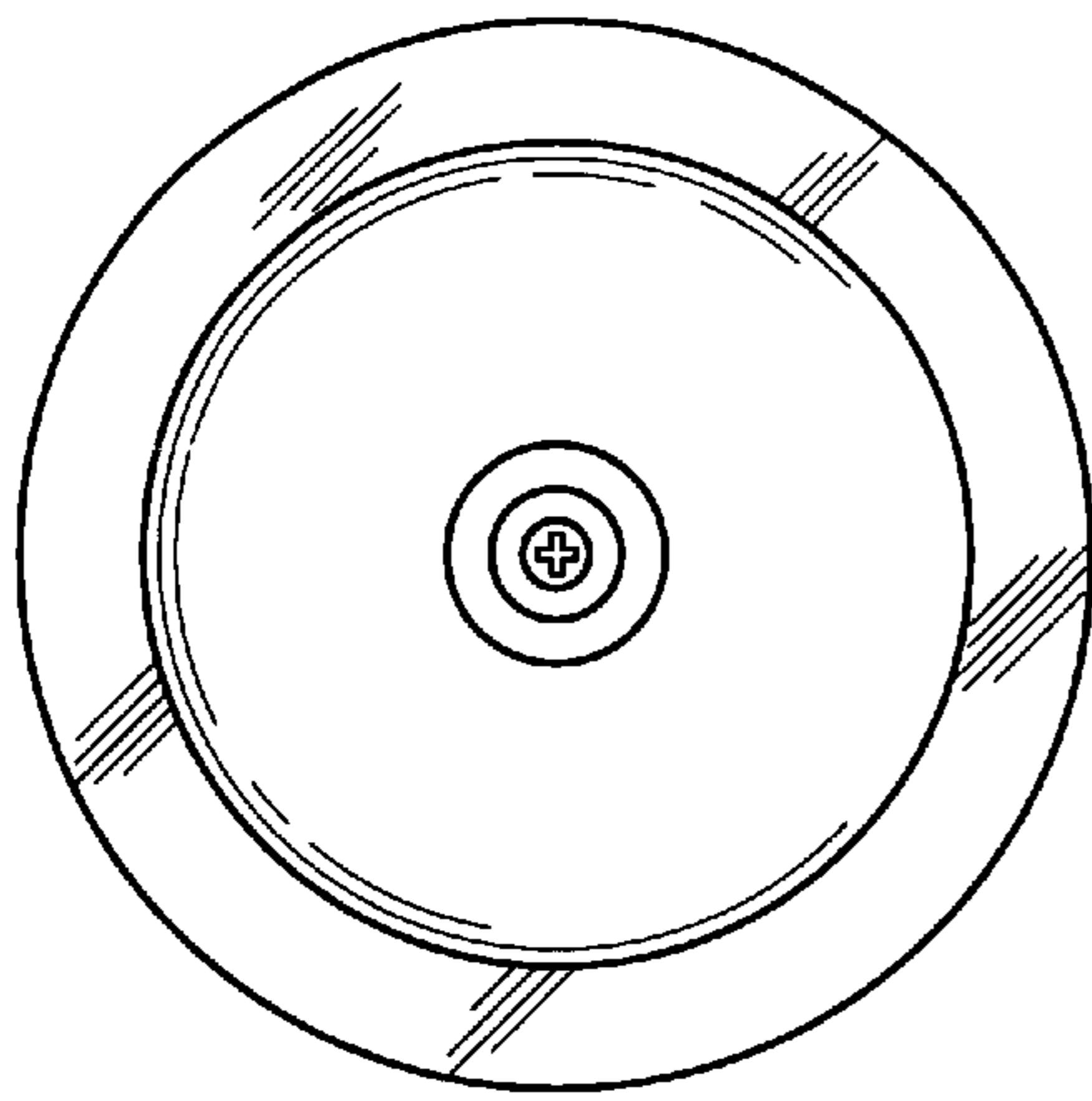
FIG. 5 is a left side view thereof, with the right side view being a mirror image of the left side view.

**1 Claim, 2 Drawing Sheets**

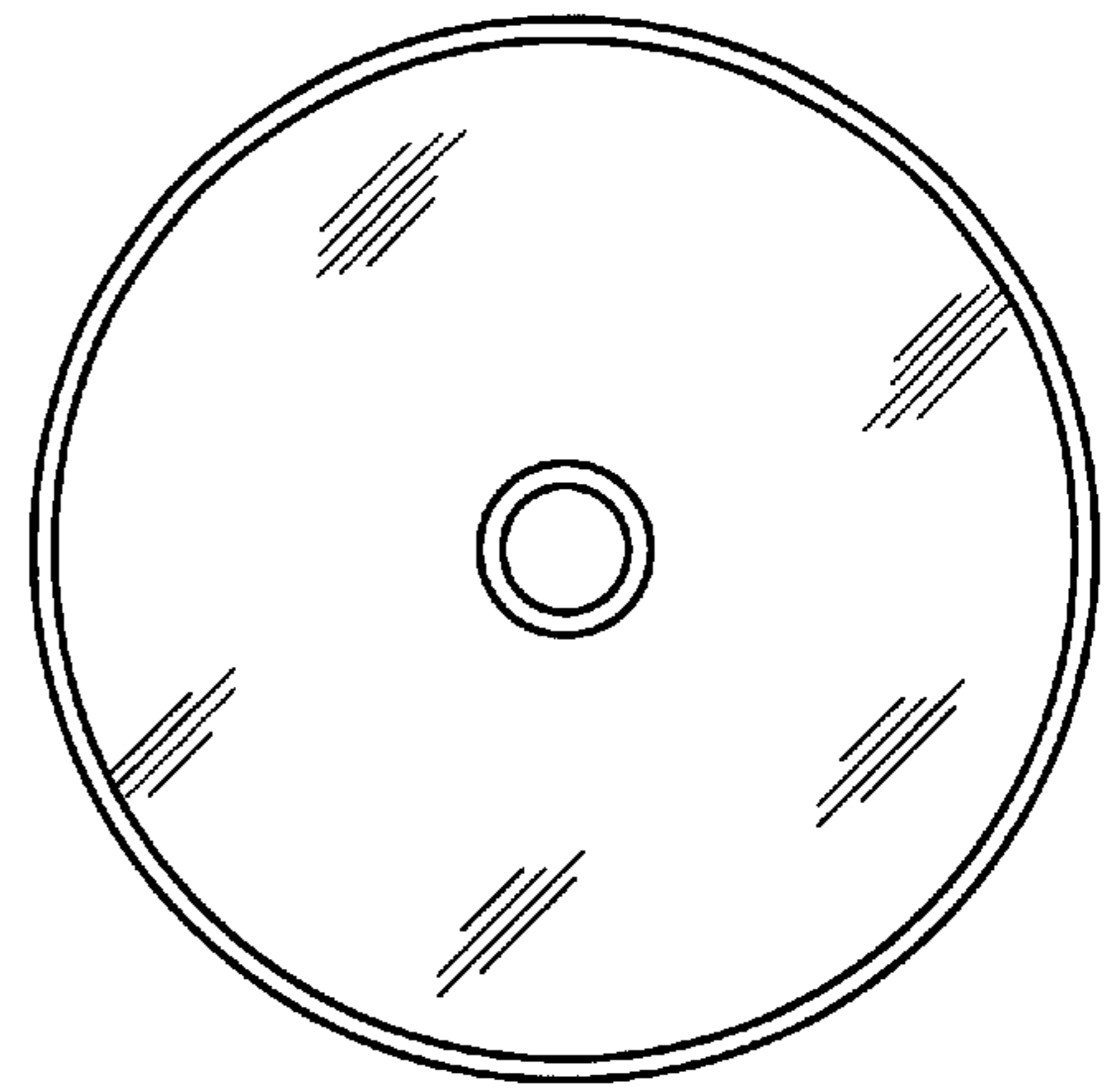




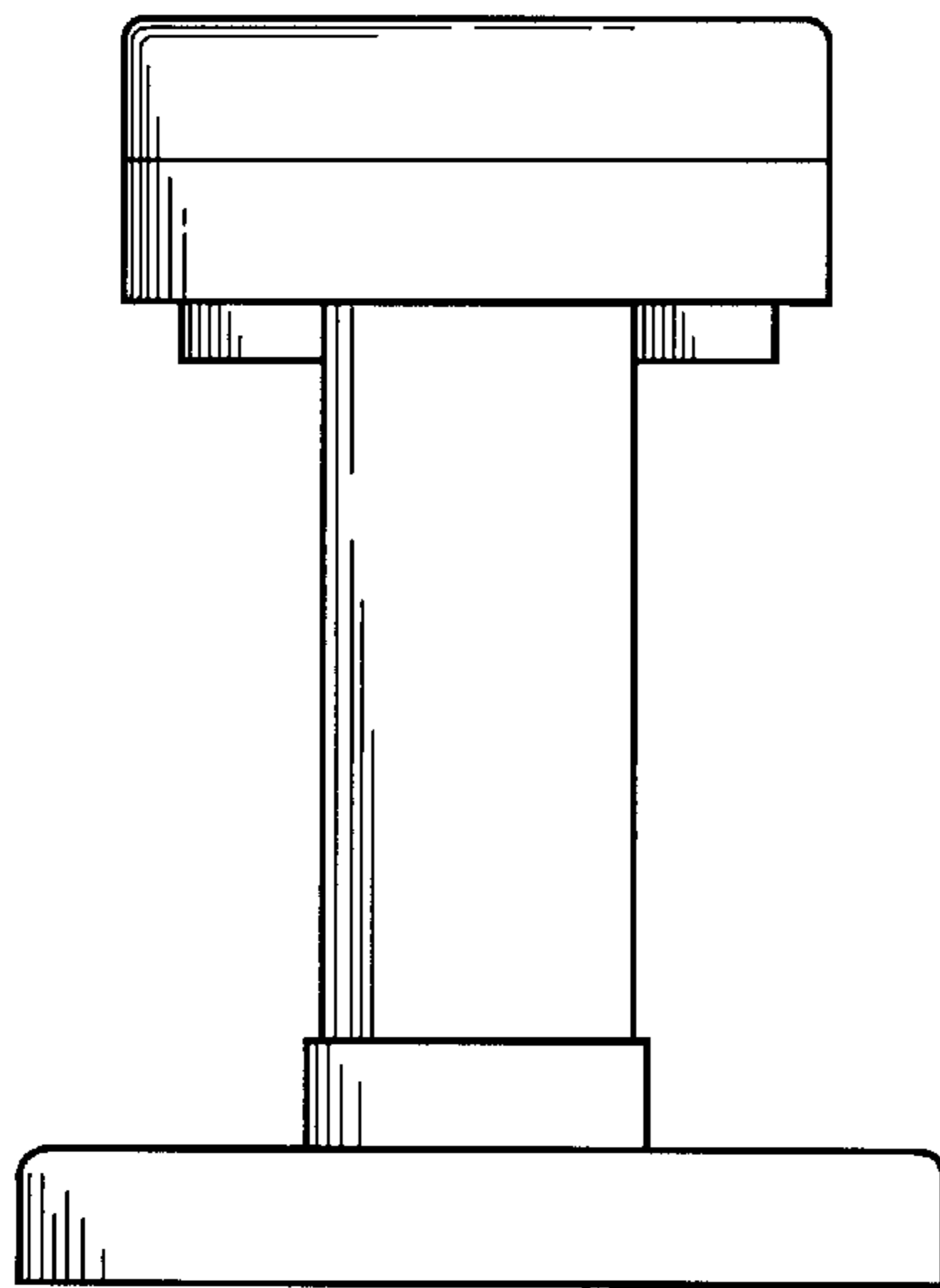
*Fig. 1*



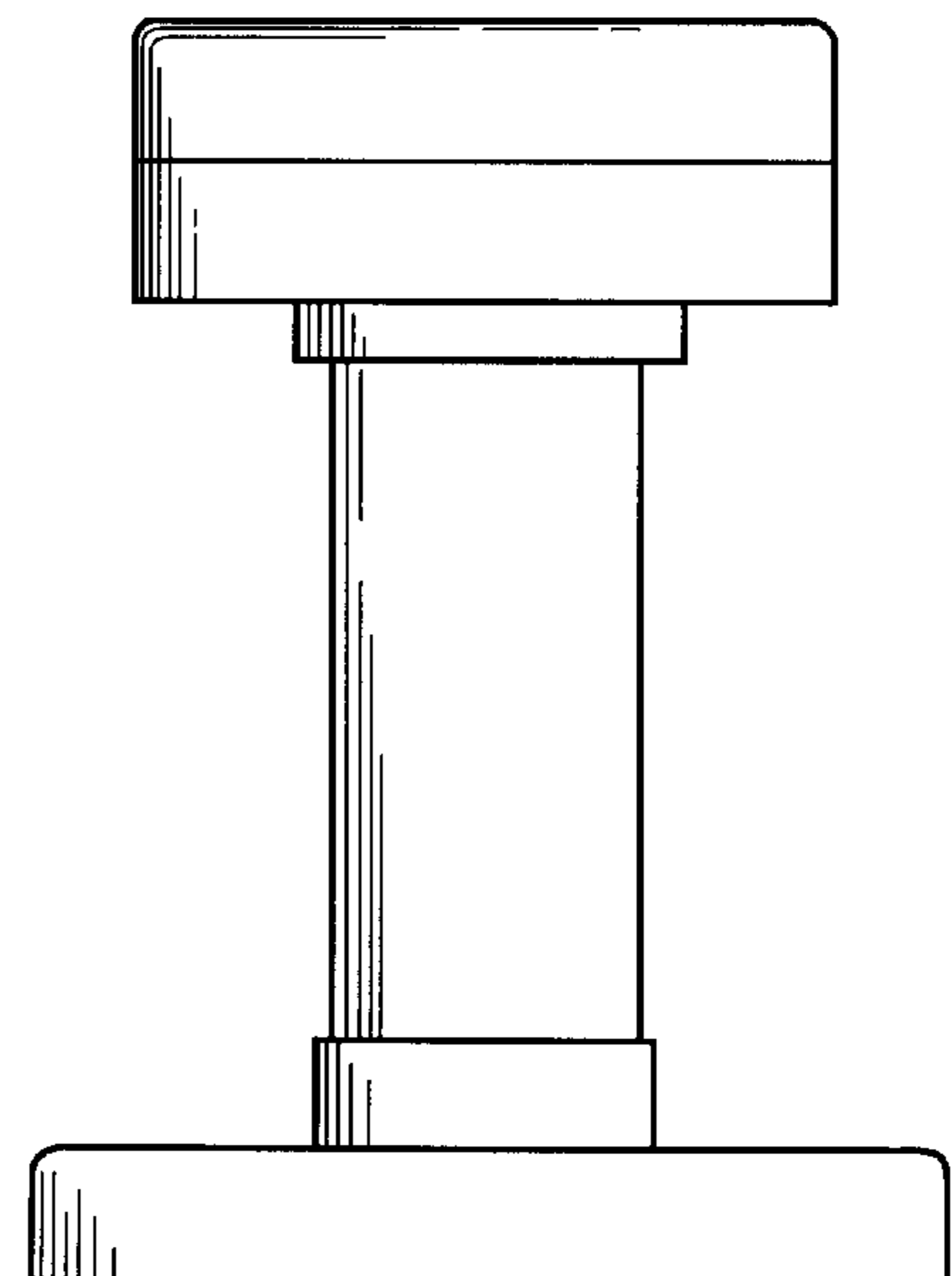
*Fig. 2*



*Fig. 3*



*Fig. 4*



*Fig. 5*