



US00D490157S

(12) **United States Design Patent**
Listenberger

(10) **Patent No.:** **US D490,157 S**

(45) **Date of Patent:** **** May 18, 2004**

(54) **TEETHER**

D433,777 S * 11/2000 Simon D30/160
D468,378 S 1/2003 Routzong

(75) Inventor: **Eric D. Listenberger**, Moorestown, NJ
(US)

OTHER PUBLICATIONS

(73) Assignee: **Gerber Products Company**, Fremont,
MI (US)

Discovery Toy—Super Yummy Teether, Package Insert,
(2000).

(**) Term: **14 Years**

* cited by examiner

(21) Appl. No.: **29/183,496**

Primary Examiner—Stella Reid

(22) Filed: **Jun. 12, 2003**

(74) *Attorney, Agent, or Firm*—John W. Kung

(51) **LOC (7) Cl.** **24-04**

(52) **U.S. Cl.** **D24/194; D24/193**

(58) **Field of Search** D24/193, 194;
606/234, 235, 236; D21/406, 478, 479,
504; D30/160

(57) **CLAIM**

The ornamental design of a teether, as shown and described.

(56) **References Cited**

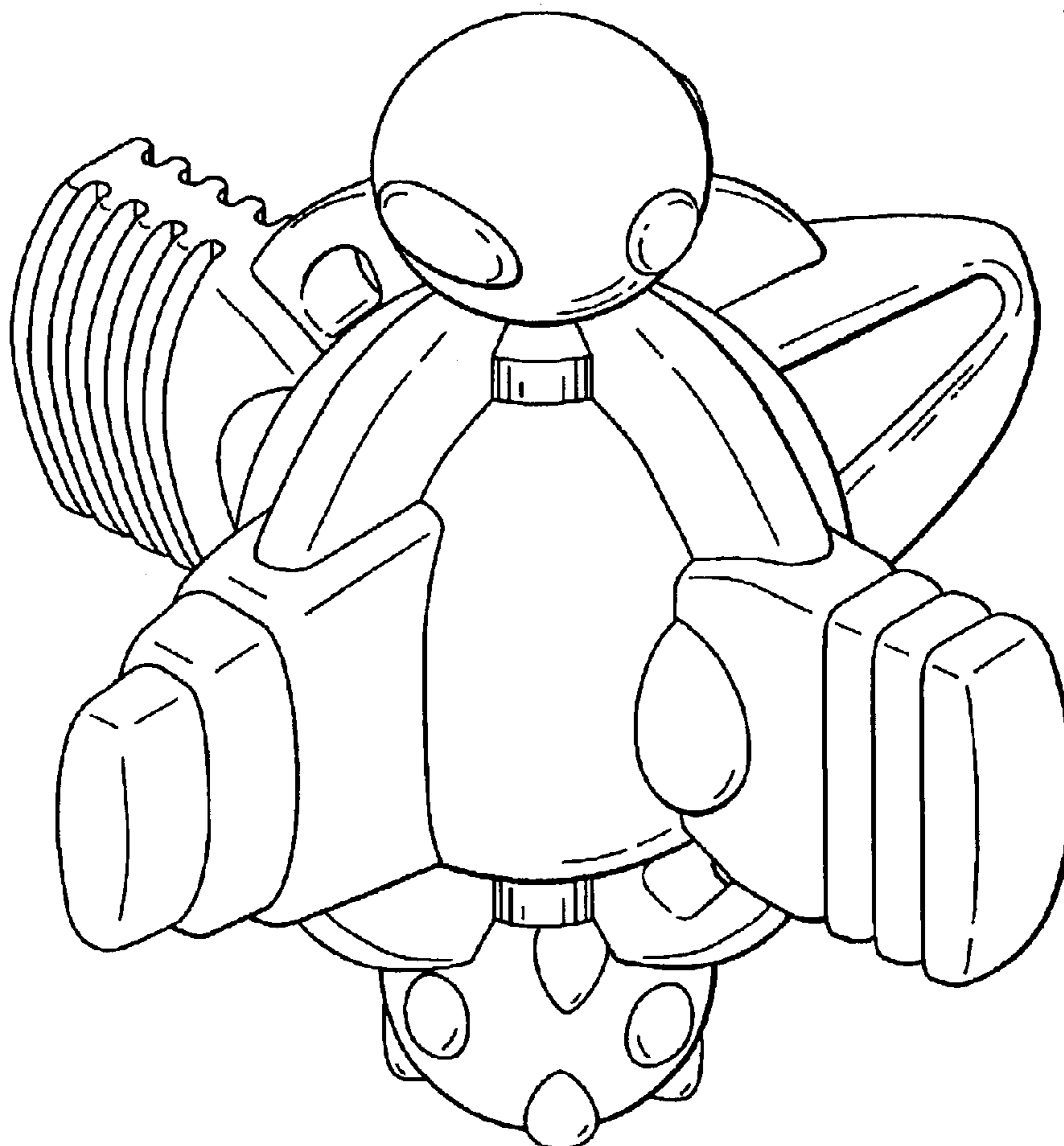
DESCRIPTION

U.S. PATENT DOCUMENTS

- D408,921 S * 4/1999 Wexler D24/194
- D417,914 S 12/1999 Nowak
- D421,126 S 2/2000 Nowak
- D424,203 S * 5/2000 Nowak D24/194

FIG. 1 is a perspective view of a teether of my new design;
FIG. 2 is a front elevational view of the teether of FIG. 1;
FIG. 3 is a rear elevational view of the teether of FIG. 1;
FIG. 4 is a right side elevational view of the teether of FIG.
1;
FIG. 5 is a left side elevations view of the teether of FIG. 1;
FIG. 6 is a top plan view of the teether of FIG. 1; and,
FIG. 7 is a bottom plan view of the teether of FIG. 1.

1 Claim, 7 Drawing Sheets



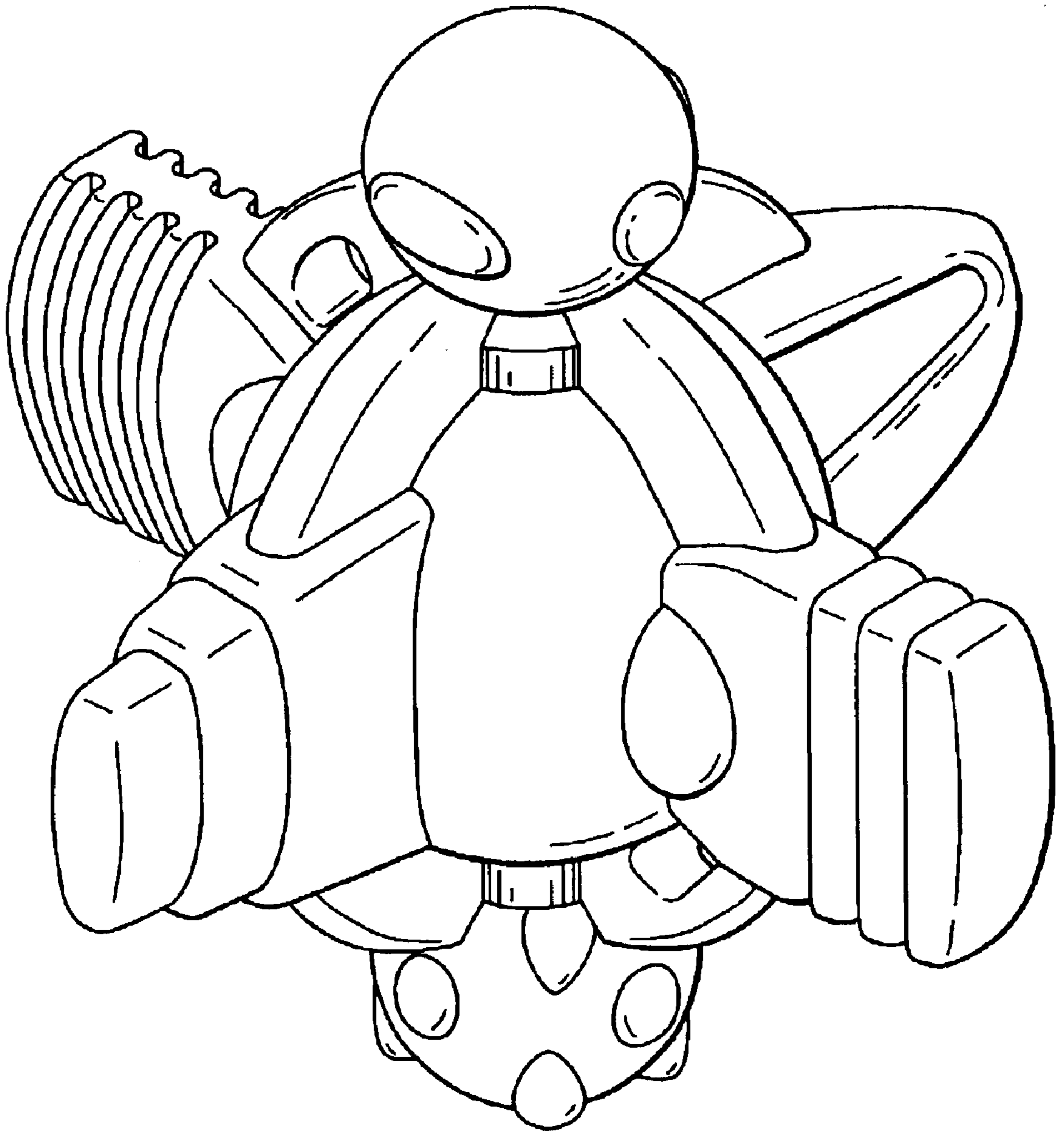


FIG. 1

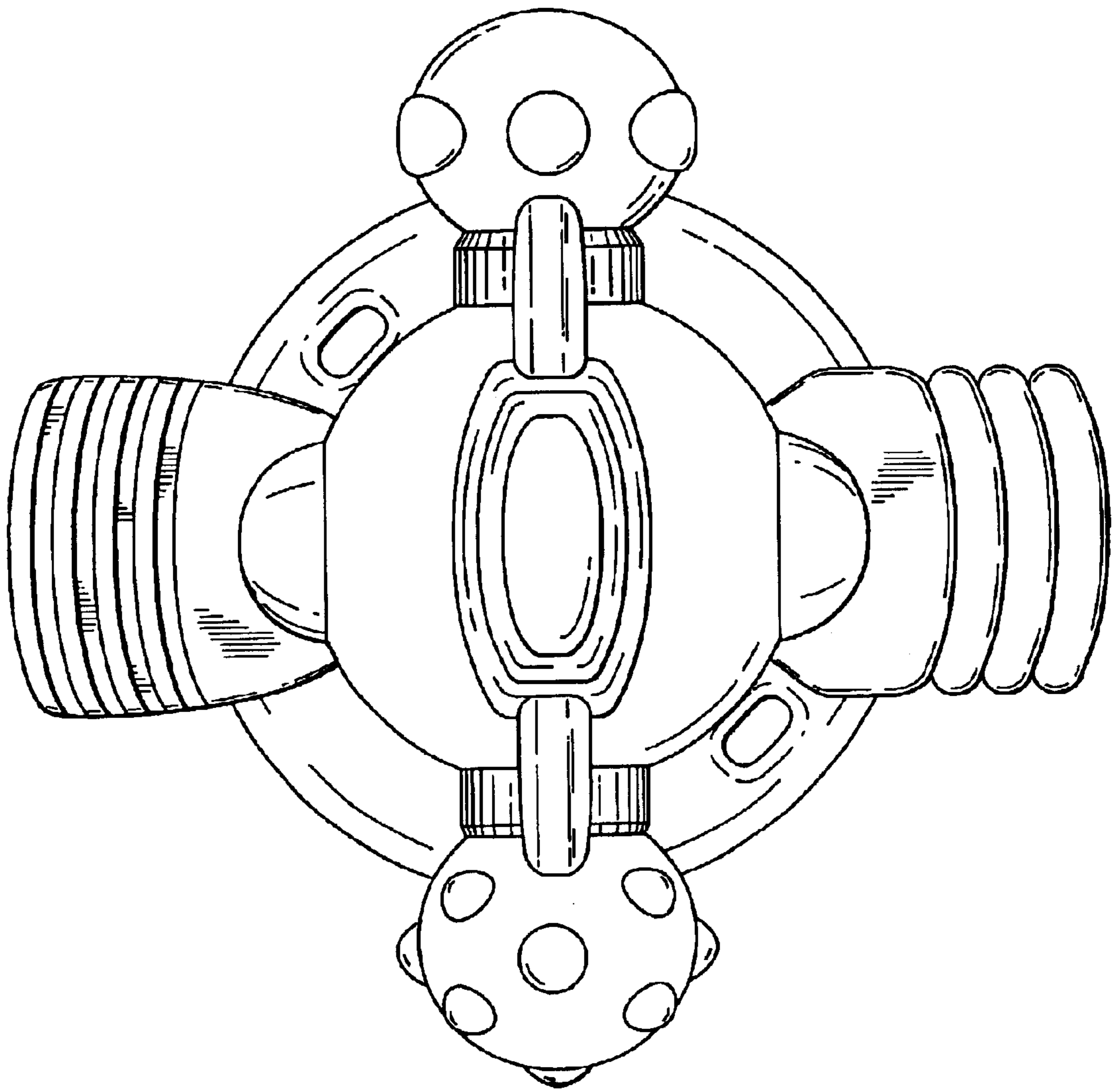


FIG. 2

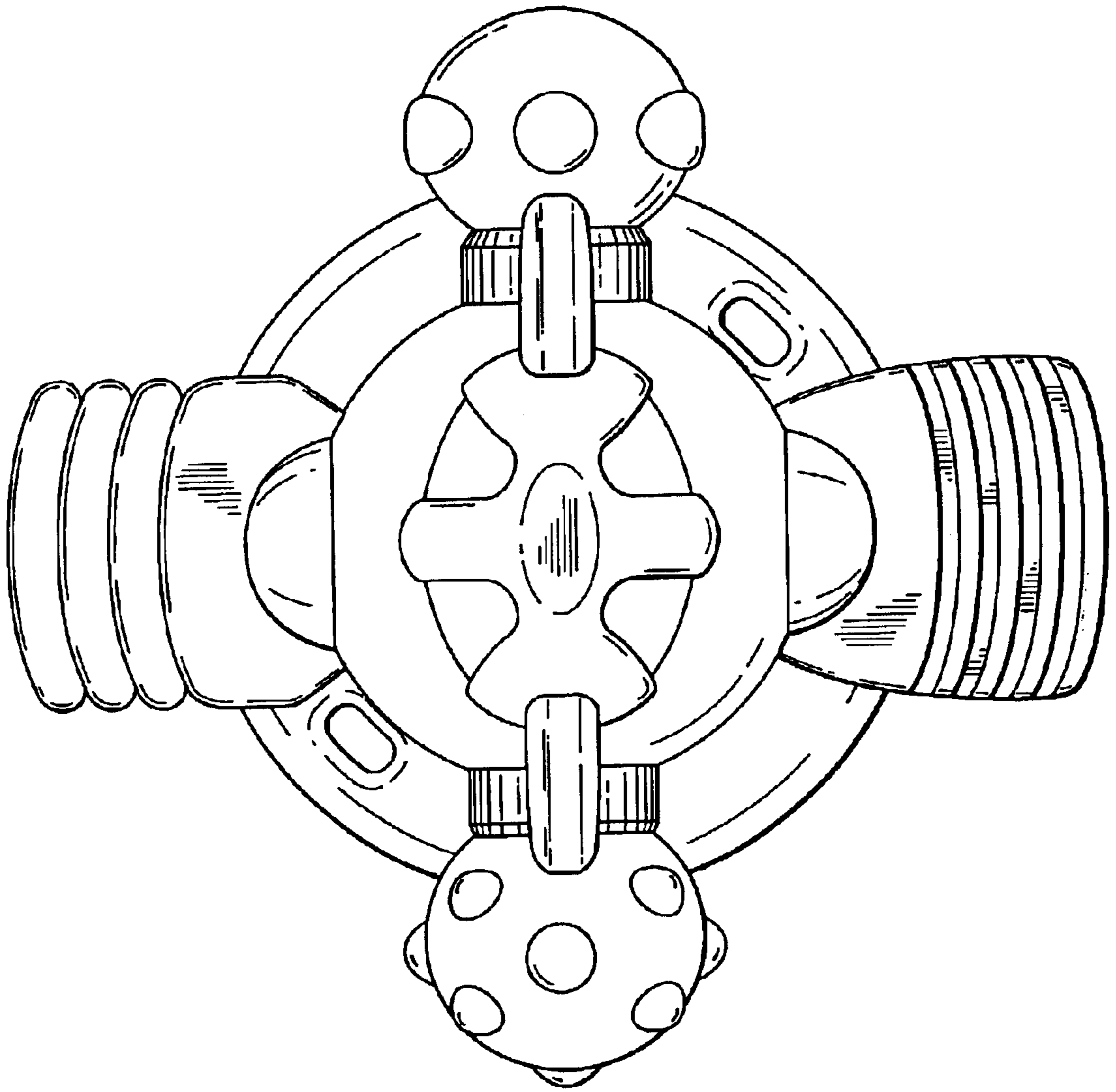


FIG. 3

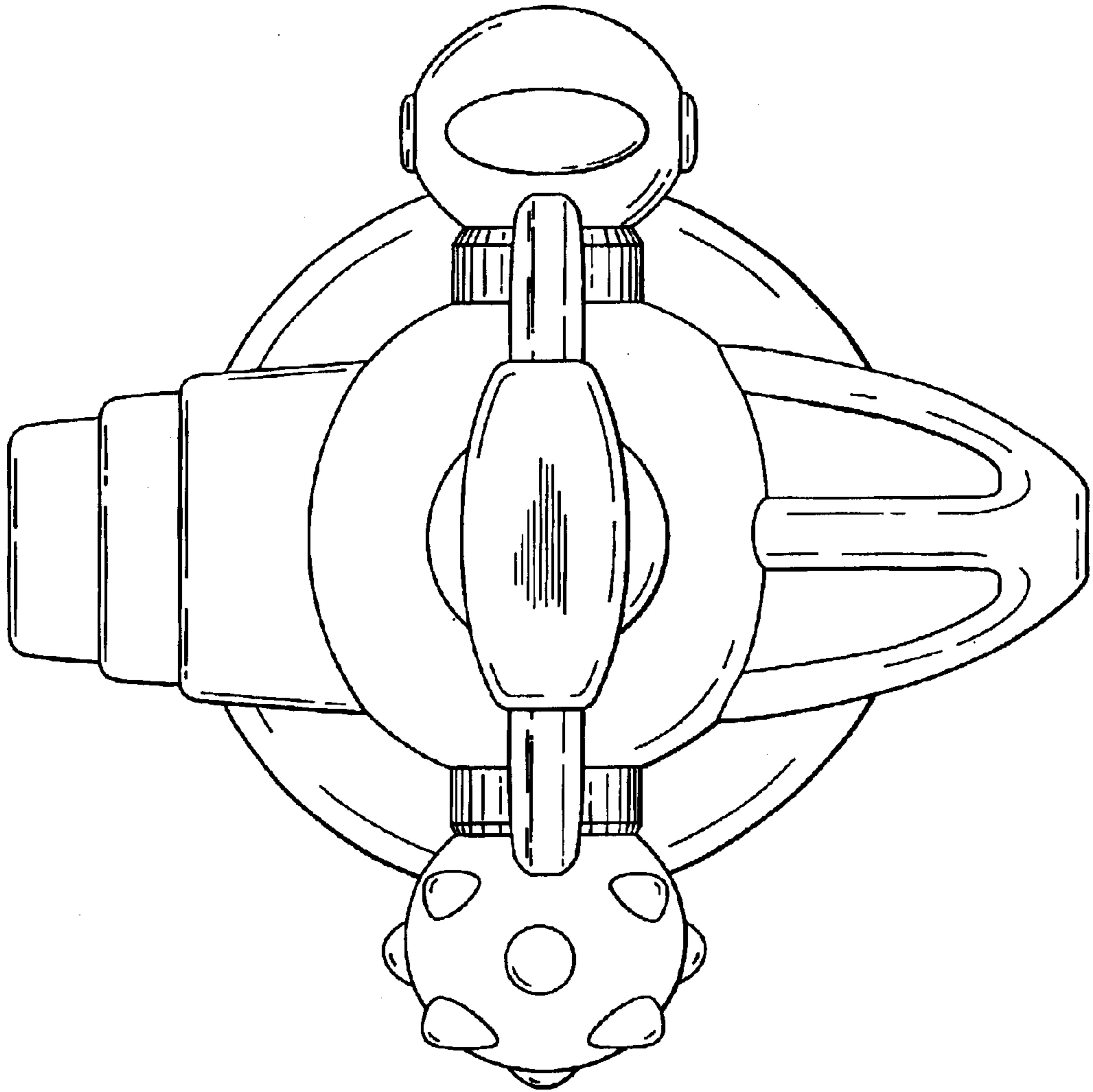


FIG. 4

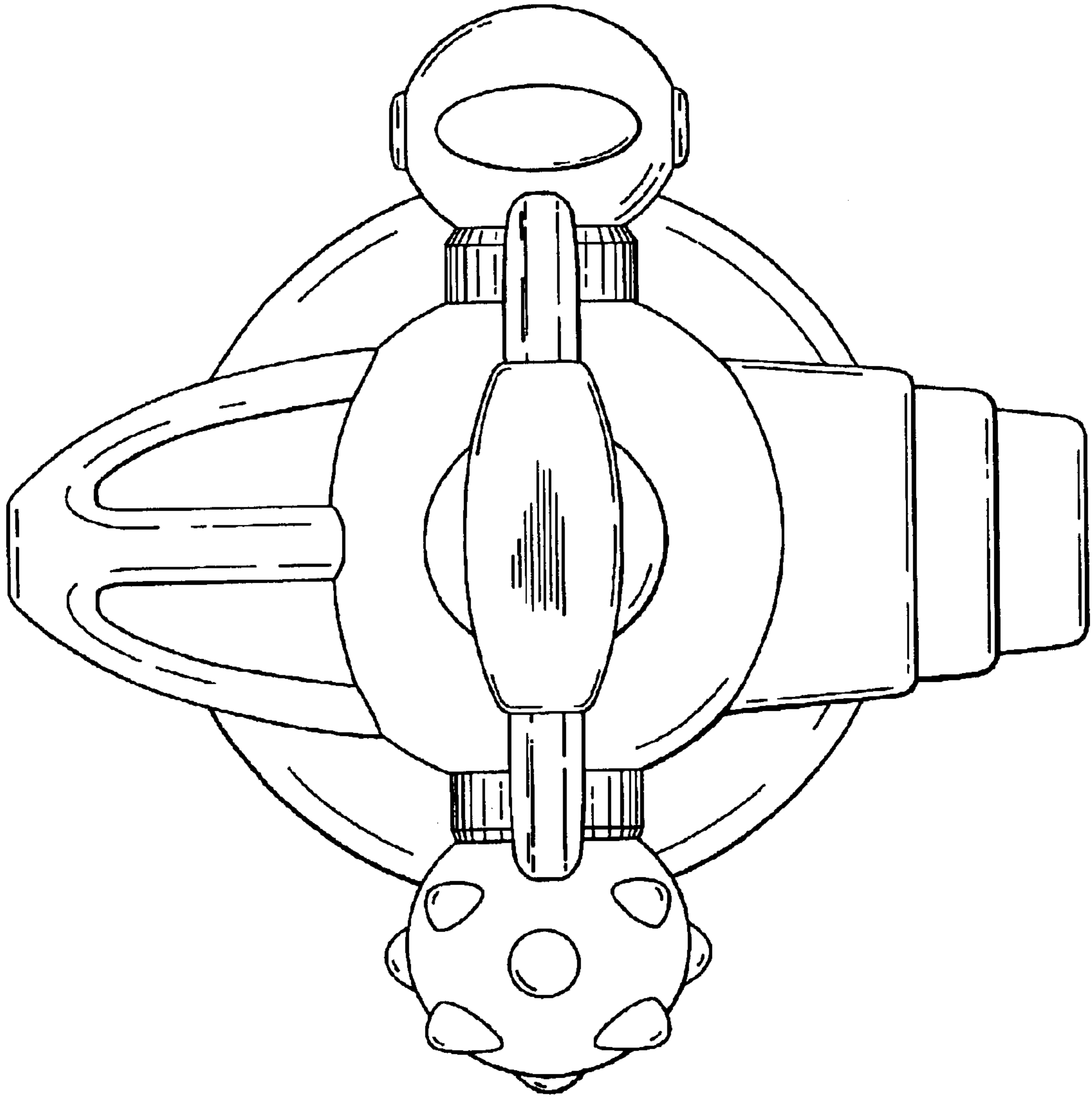


FIG. 5

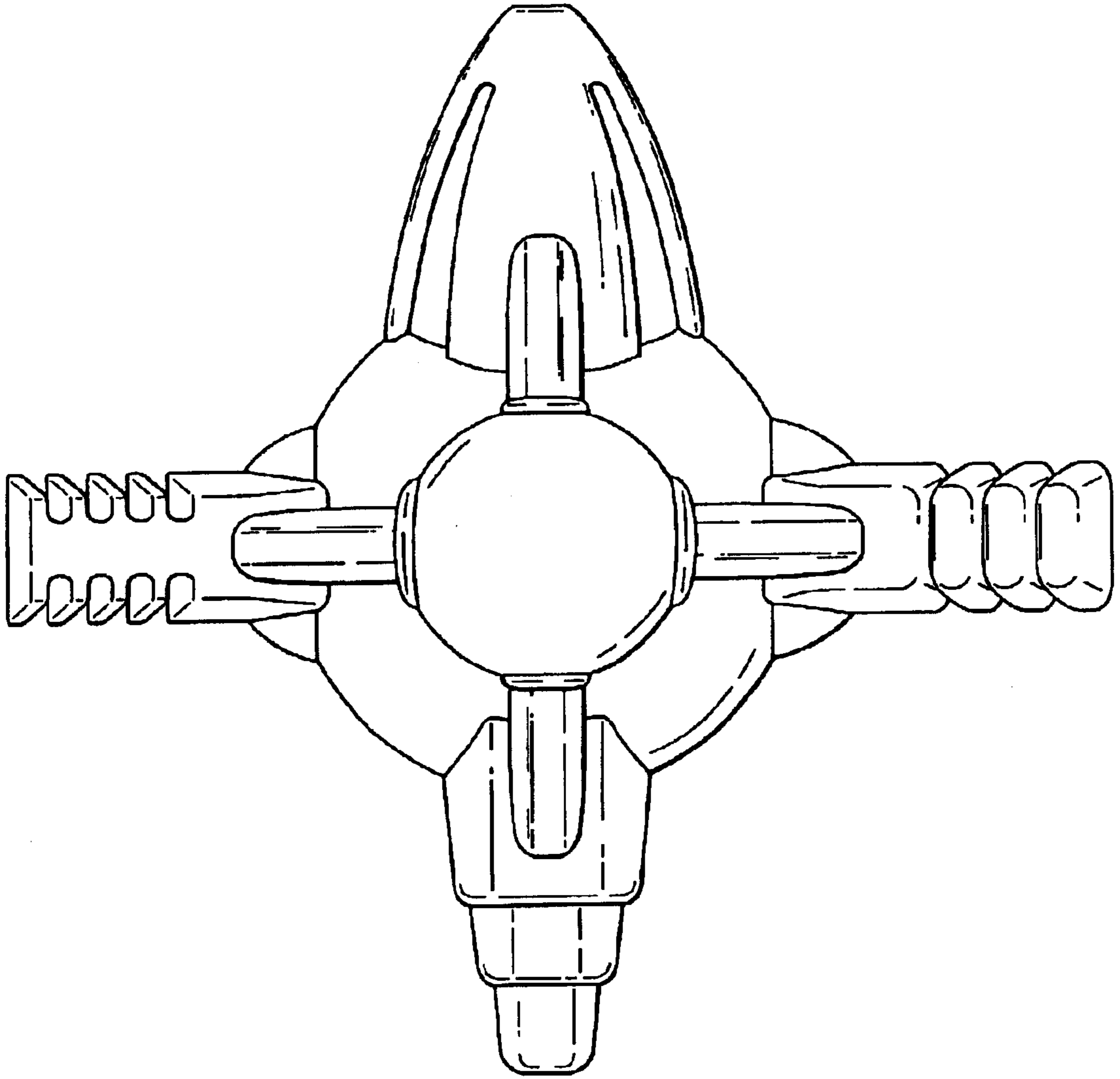


FIG. 6

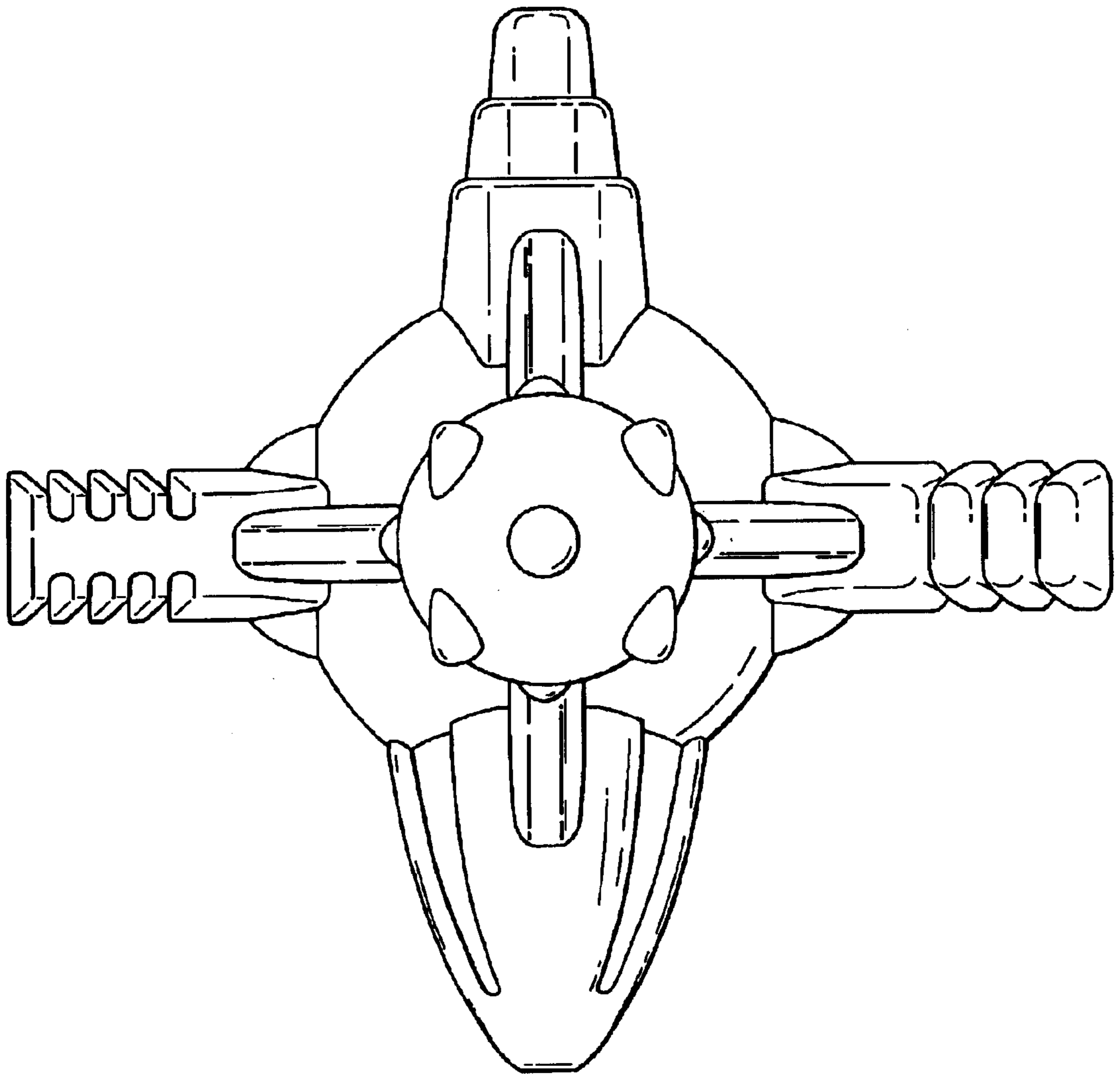


FIG. 7