



US00D490148S

(12) **United States Design Patent**  
**Huang**

(10) **Patent No.:** **US D490,148 S**

(45) **Date of Patent:** **\*\* May 18, 2004**

(54) **CEILING FAN LIGHT KIT**

(75) **Inventor:** **Hsiao-ching Huang**, Memphis, TN (US)

(73) **Assignee:** **Hunter Fan Company**, Memphis, TN (US)

(\*\*) **Term:** **14 Years**

(21) **Appl. No.:** **29/163,375**

(22) **Filed:** **Jul. 2, 2002**

(51) **LOC (7) Cl.** ..... **23-04**

(52) **U.S. Cl.** ..... **D23/411**

(58) **Field of Search** ..... D23/411, 377, D23/379, 385; 416/5; D26/59, 51, 72, 81-86, 88; 392/364; 362/96

(56) **References Cited**

**U.S. PATENT DOCUMENTS**

D459,466 S \* 6/2002 Hsieh ..... D23/411

**OTHER PUBLICATIONS**

Hunter Fan Company—2001 Ceiling Fan Selection & Special Order Guide ( 26122-10' Low Profile with Opal Stepped Glass, 27196-Florescent Universal Low Profile with Opal

Glass) Casablanca Fan Company—Year 2000 Product Catalog ( *KG1Q-11*—Prime Halogen Fixture p. 60, *KG2W*—Two Light Outdoor p. 62, *G205*—Red Tiffany p. 67).

\* cited by examiner

*Primary Examiner*—Lisa Lichtenstein

(74) *Attorney, Agent, or Firm*—Baker Donelson

(57) **CLAIM**

The ornamental design for a ceiling fan light kit, as shown and described.

**DESCRIPTION**

FIG. 1 is a perspective view of a ceiling fan light kit showing my new design.

FIG. 2 is a front view thereof.

FIG. 3 is a rear view thereof.

FIG. 4 is a left side view thereof, the right side view being mirror image thereof.

FIG. 5 is a top view thereof; and,

FIG. 6 is a bottom view thereof.

**1 Claim, 3 Drawing Sheets**

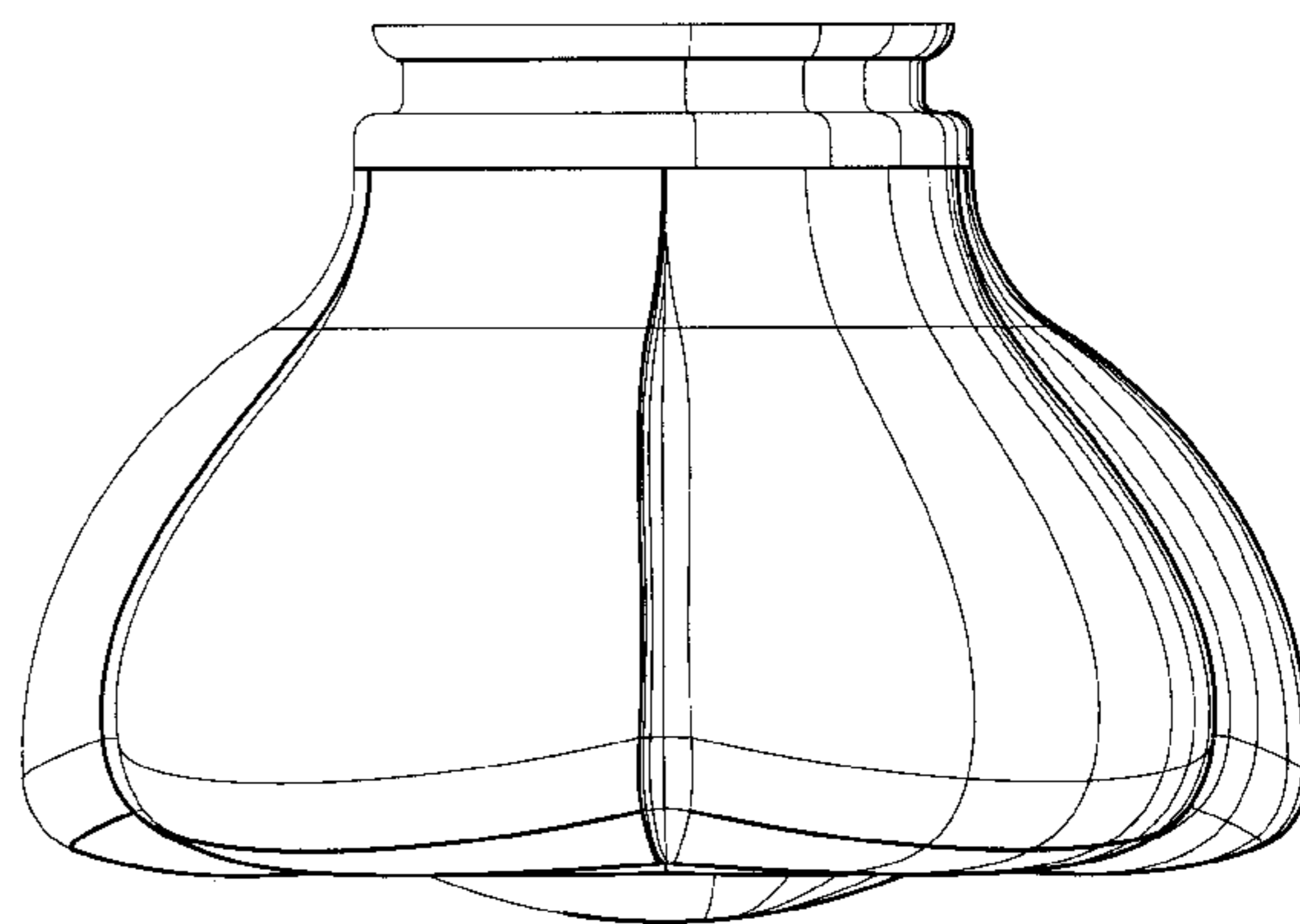
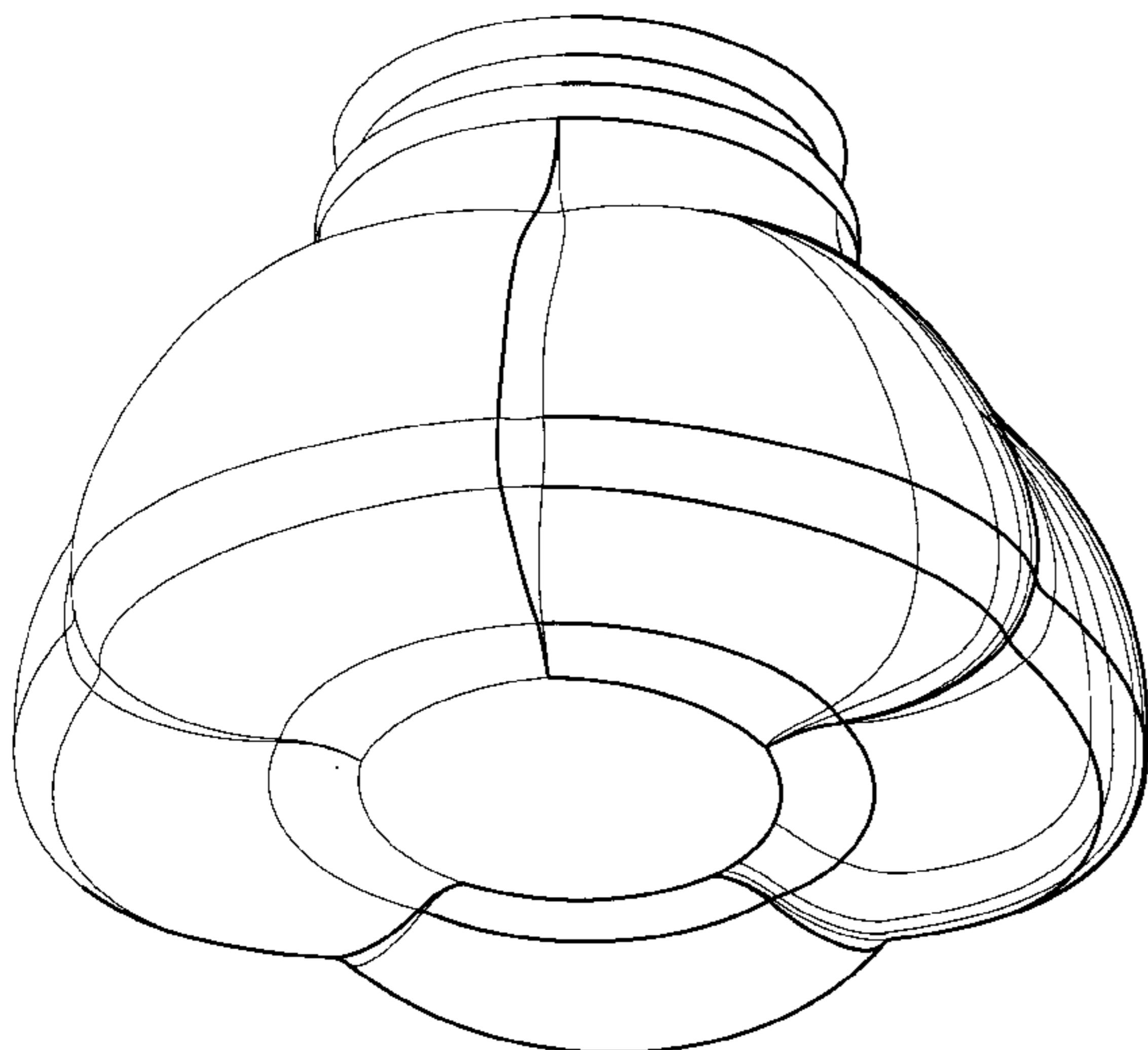


Fig. 1

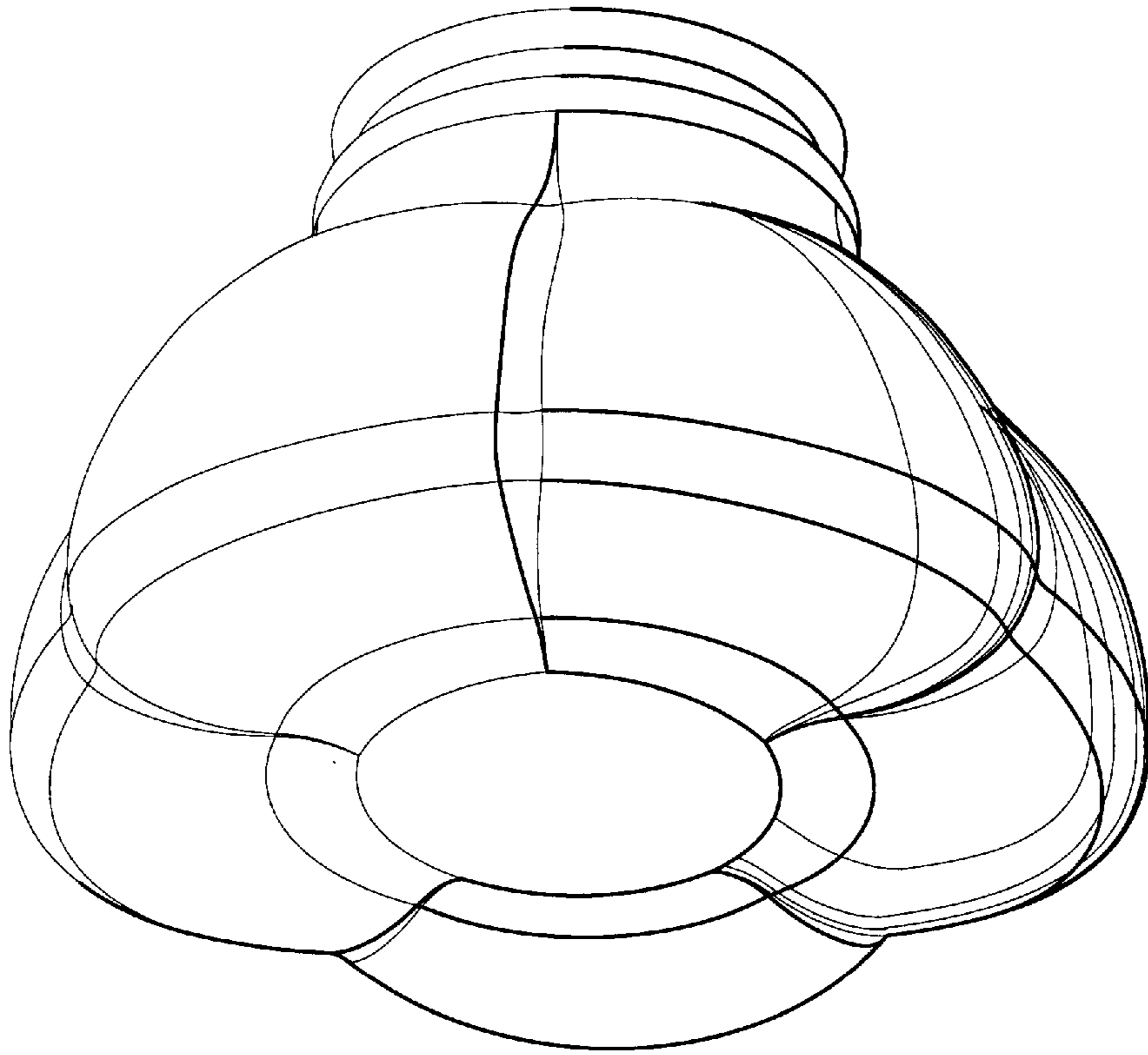


Fig. 2

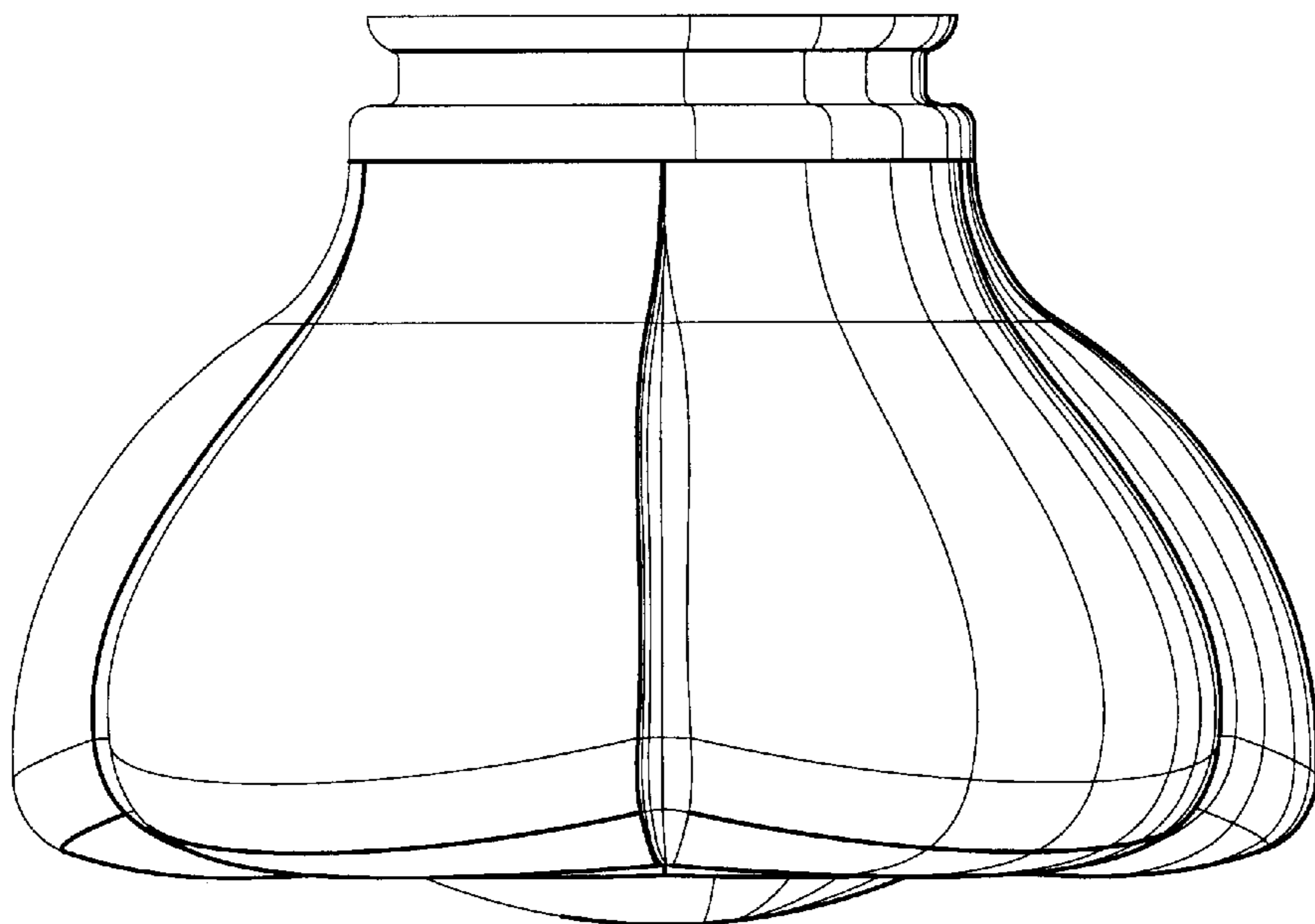


Fig. 3

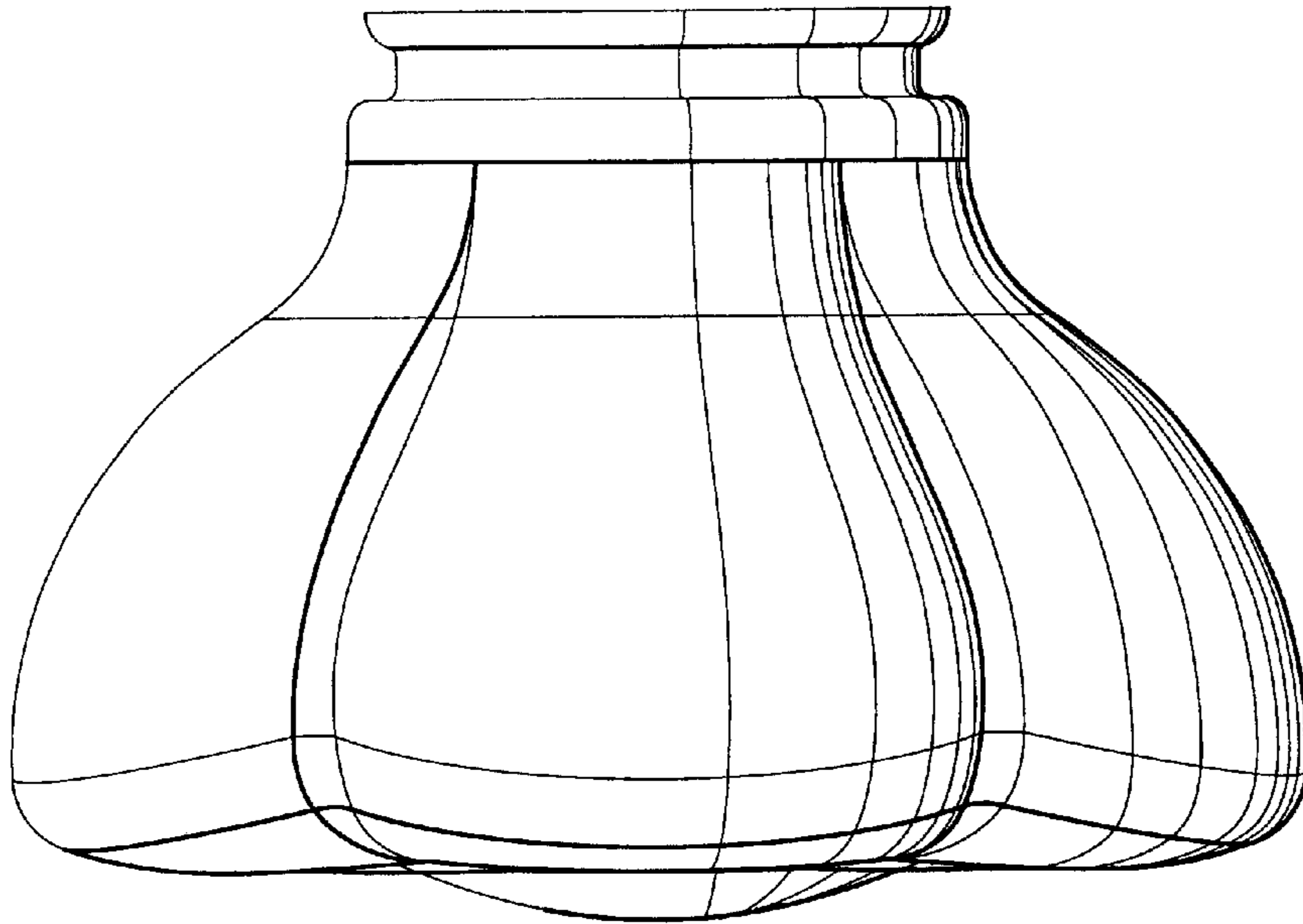


Fig. 4

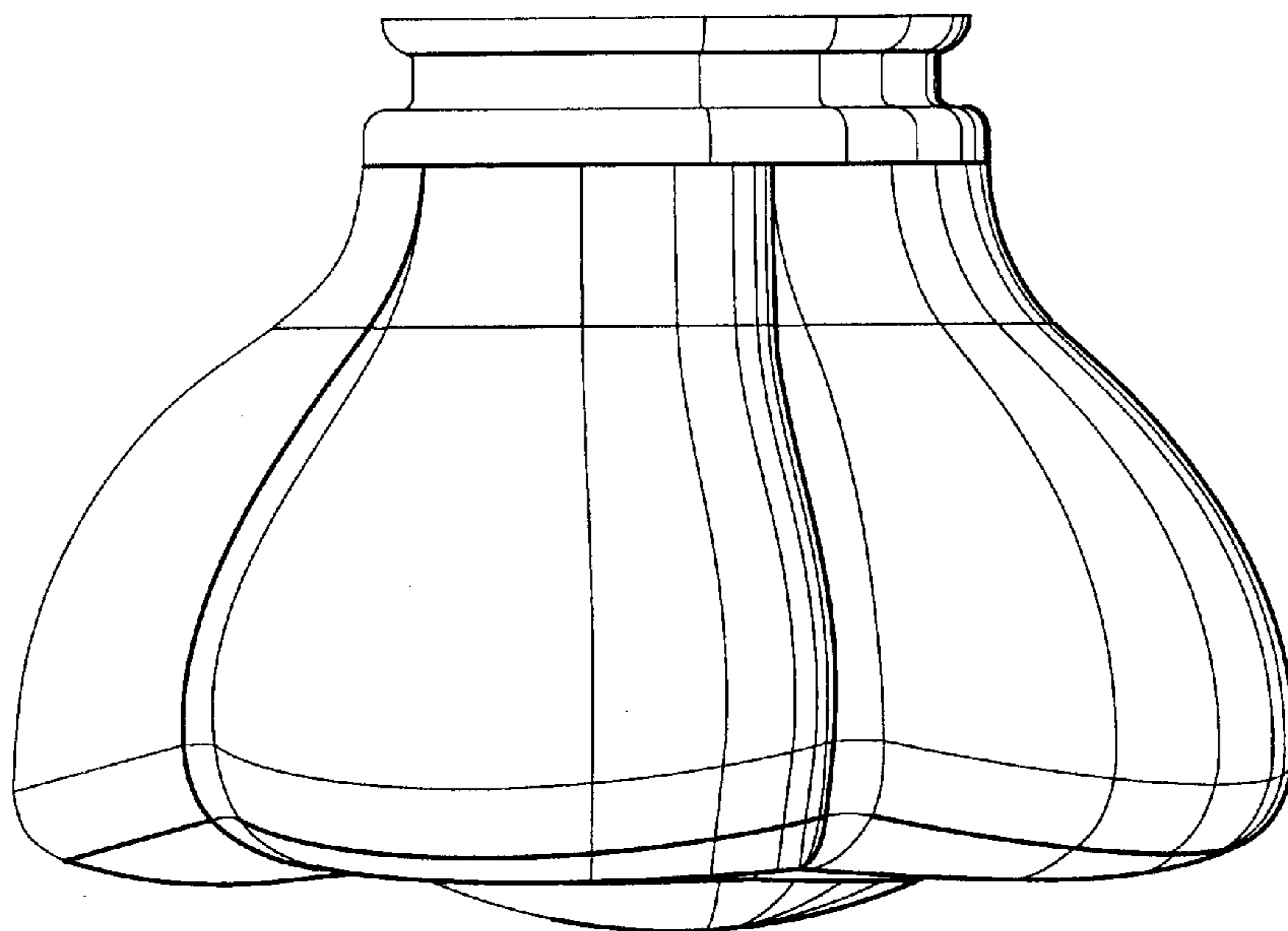


Fig. 5

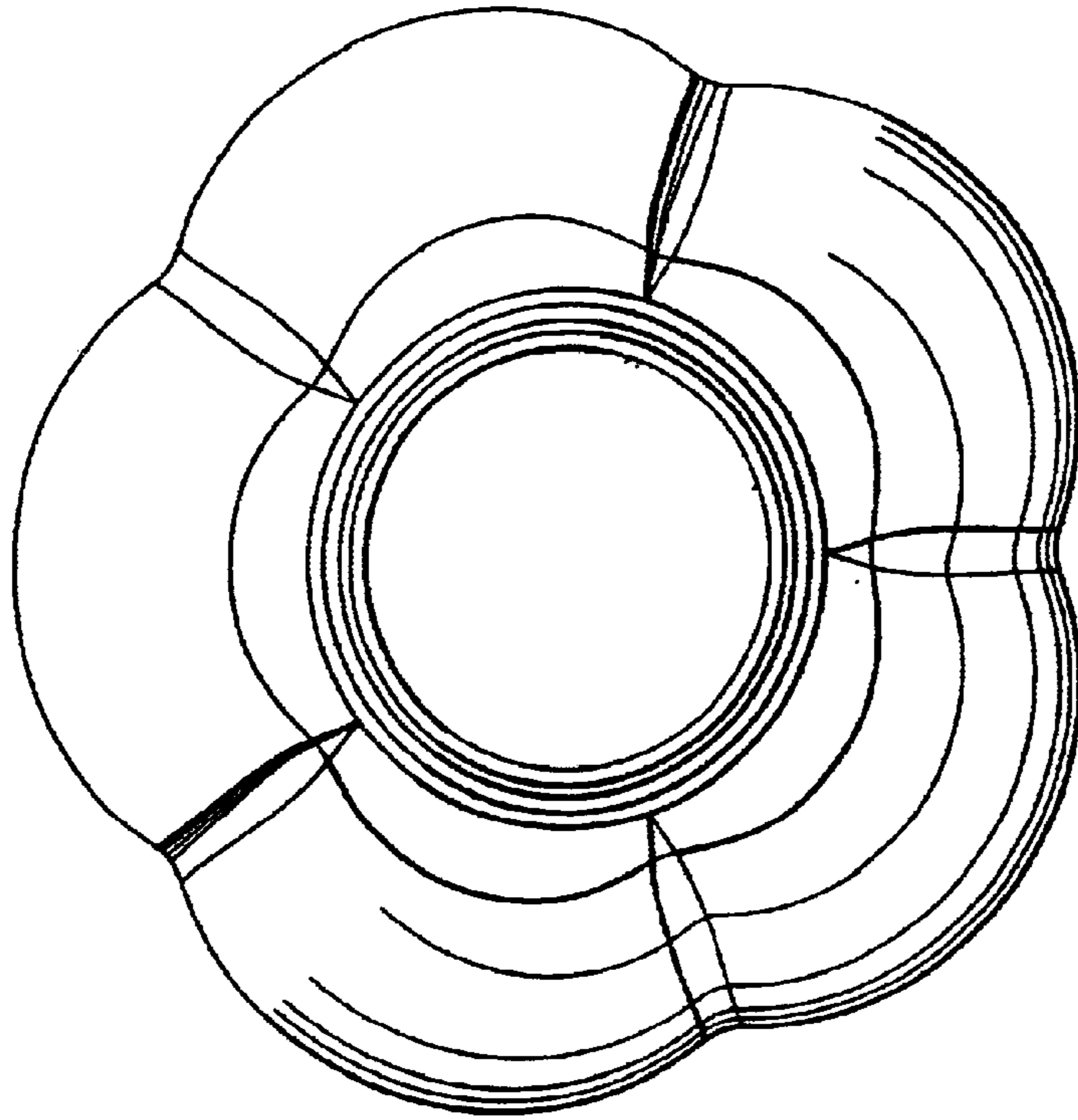


Fig. 6

