



US00D490146S

(12) **United States Design Patent**
Gajewski

(10) **Patent No.:** **US D490,146 S**

(45) **Date of Patent:** **** May 18, 2004**

(54) **COMBINATION CEILING FAN AND LIGHT FIXTURE**

(75) **Inventor:** **Mark Gajewski, San Luis Obispo, CA (US)**

(73) **Assignee:** **Minka Lighting, Inc., Corona, CA (US)**

(**) **Term:** **14 Years**

(21) **Appl. No.:** **29/162,390**

(22) **Filed:** **Jun. 14, 2002**

(51) **LOC (7) Cl. 23-04**

(52) **U.S. Cl. D23/377**

(58) **Field of Search** D23/377, 379, D23/385, 411, 413; 416/5; D26/59, 51, 72, 79, 81-86, 88; 392/364; 362/96

(56) **References Cited**

U.S. PATENT DOCUMENTS

455,660 A	7/1891	Cooper	
532,789 A	1/1895	Ketcher	
697,588 A	4/1902	Wood	
776,026 A	11/1904	Jacobson	
816,759 A	4/1906	Stowe	
1,056,668 A	3/1913	Happich, Jr.	
1,094,540 A	4/1914	Dilg	
1,115,479 A	11/1914	Ayres et al.	
1,224,218 A	5/1917	Scheibe	
1,226,076 A	5/1917	Jennings	
1,227,291 A	5/1917	Miller	
1,267,752 A	5/1918	Finch	
1,270,832 A	7/1918	Jennings	
1,295,618 A	2/1919	Shaw	
1,332,875 A	3/1920	Ainsworth	
1,334,781 A	3/1920	Morse	
1,485,241 A	2/1924	Aronoff	
1,517,623 A	12/1924	Francois	
1,826,458 A	10/1931	Cooper	
1,903,615 A	4/1933	Towt	
2,237,039 A	4/1941	Newnham	170/173
4,391,570 A	7/1983	Stutzman	417/353

4,560,321 A	12/1985	Kawai	416/23
4,640,668 A	2/1987	Yang	417/354
4,720,241 A	1/1988	Markwardt	416/5
4,878,806 A	11/1989	Markwardt	416/5
D313,467 S	1/1991	Frampton	D23/379

(List continued on next page.)

FOREIGN PATENT DOCUMENTS

FR	600.812	2/1926
FR	985.034	7/1951

OTHER PUBLICATIONS

U.S. patent application Ser. No. 29/162,389, filed Jun. 14, 2002, Gajewski.

(List continued on next page.)

Primary Examiner—Lisa Lichtenstein

(74) *Attorney, Agent, or Firm*—Jenkins & Gilchrist, P.C.

(57) **CLAIM**

The ornamental design for a combination ceiling fan and light fixture, as shown and described.

DESCRIPTION

FIG. 1 is a top view of the combination ceiling fan and light fixture in accordance with my design;

FIG. 2 is a bottom view of the combination ceiling fan and light fixture in accordance with my design;

FIG. 3 is a side elevation view of the combination ceiling fan and light fixture in accordance with my design;

FIG. 4 is a front elevation view of the combination ceiling fan and light fixture in accordance with my design; and,

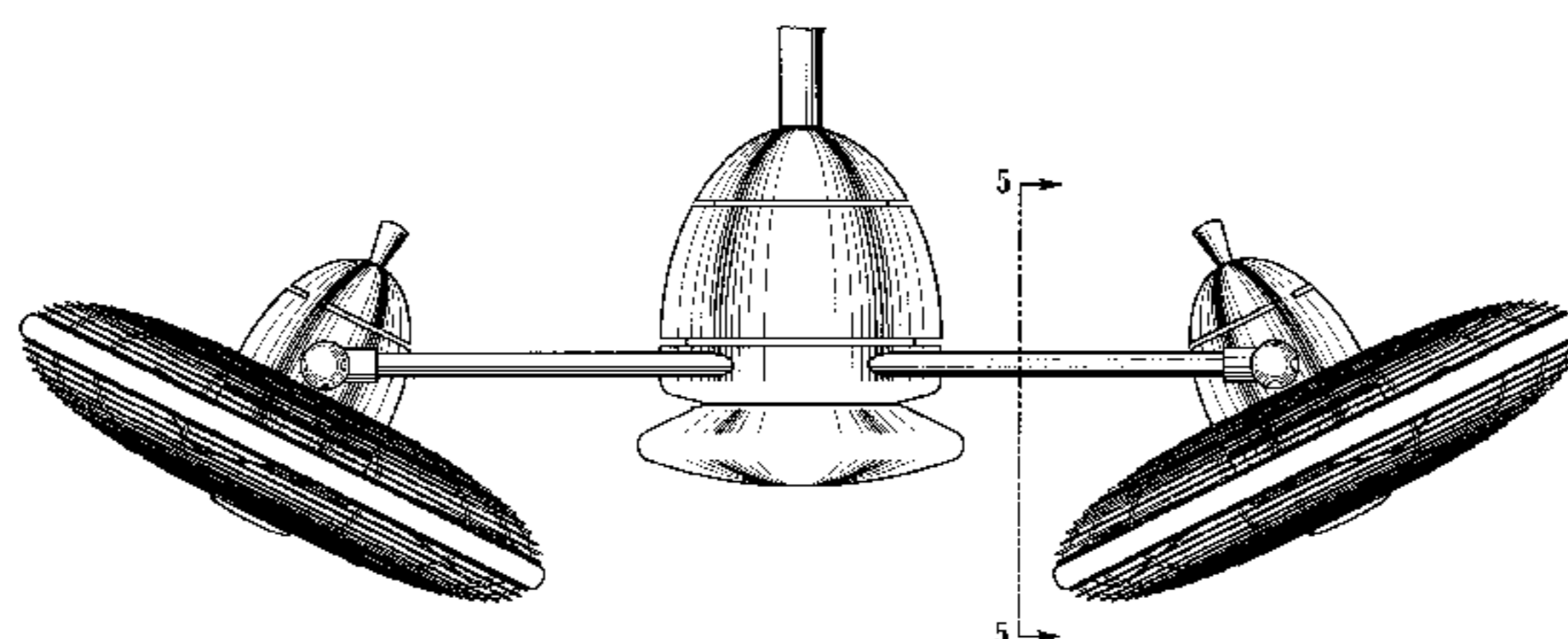
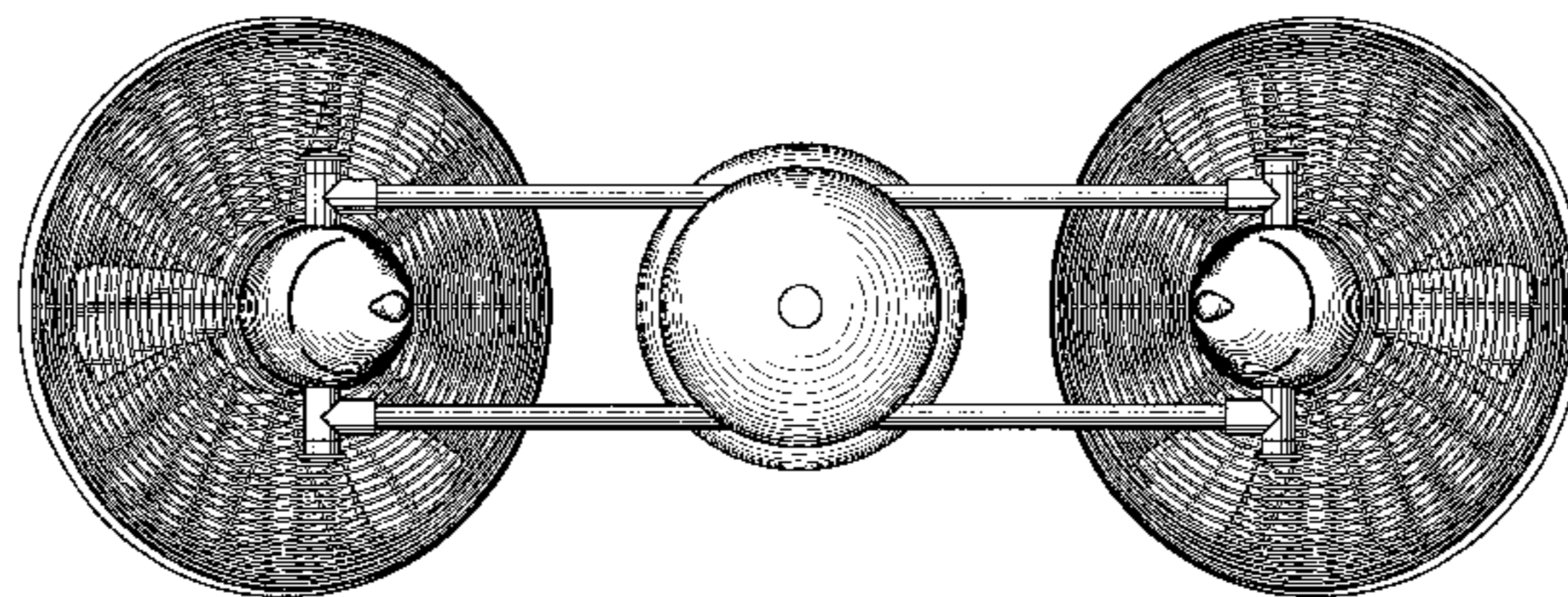
FIG. 5 is a cross-sectional view of the combination ceiling fan and light fixture taken along line 5—5 in FIG. 3.

The right and left side elevational views are mirror images of each other.

The front and back elevational views are mirror images of each other.

The down rod is shown broken away in FIGS. 3 and 4 to illustrate indeterminate length.

1 Claim, 4 Drawing Sheets



US D490,146 S

Page 2

U.S. PATENT DOCUMENTS

5,411,372 A 5/1995 Clark 416/110
5,443,625 A 8/1995 Schaffhausen 95/273
5,668,920 A 9/1997 Pelonis 392/361
D408,905 S 4/1999 Hajikyriacou D23/378
5,951,253 A 9/1999 Gajewski 416/214 R
6,022,118 A 2/2000 Wu 362/35
6,022,189 A 2/2000 Yu 416/5
6,074,182 A 6/2000 Matson 417/423.15
6,146,191 A 11/2000 Kerr, Jr. et al. 439/537
6,158,964 A 12/2000 Gajewski 416/244 R
6,171,060 B1 1/2001 Gajewski 416/244 R
6,250,885 B1 6/2001 Gajewski 416/214 R
D451,996 S 12/2001 Liu D23/411
6,354,801 B1 3/2002 Gajewski 416/5
6,357,714 B1 3/2002 Johnson 248/343
D456,073 S 4/2002 Frampton D23/413

6,364,617 B1 4/2002 Riske et al. 416/246
6,364,638 B1 4/2002 Liu 417/423.15

OTHER PUBLICATIONS

U.S. patent application Ser. No. 29/162,417, filed Jun. 14, 2002, Gajewski.

U.S. patent application Ser. No. 10/172,189, filed Jun. 14, 2002, Gajewski.

U.S. patent application Ser. No. 29/162,419, filed Jun. 14, 2002, Gajewski, et al.

AireTek™ Advertisement, 1 page, after Apr. 2002.

Preview page in Residential Lighting magazine, p. 102, Jun. 2002.

Minka Lighting, Inc.; MinkaAire Two Thousand Two; Apr. 22, 2002; pp. 22, 23; Minka Lighting, Inc.; U.S.A.

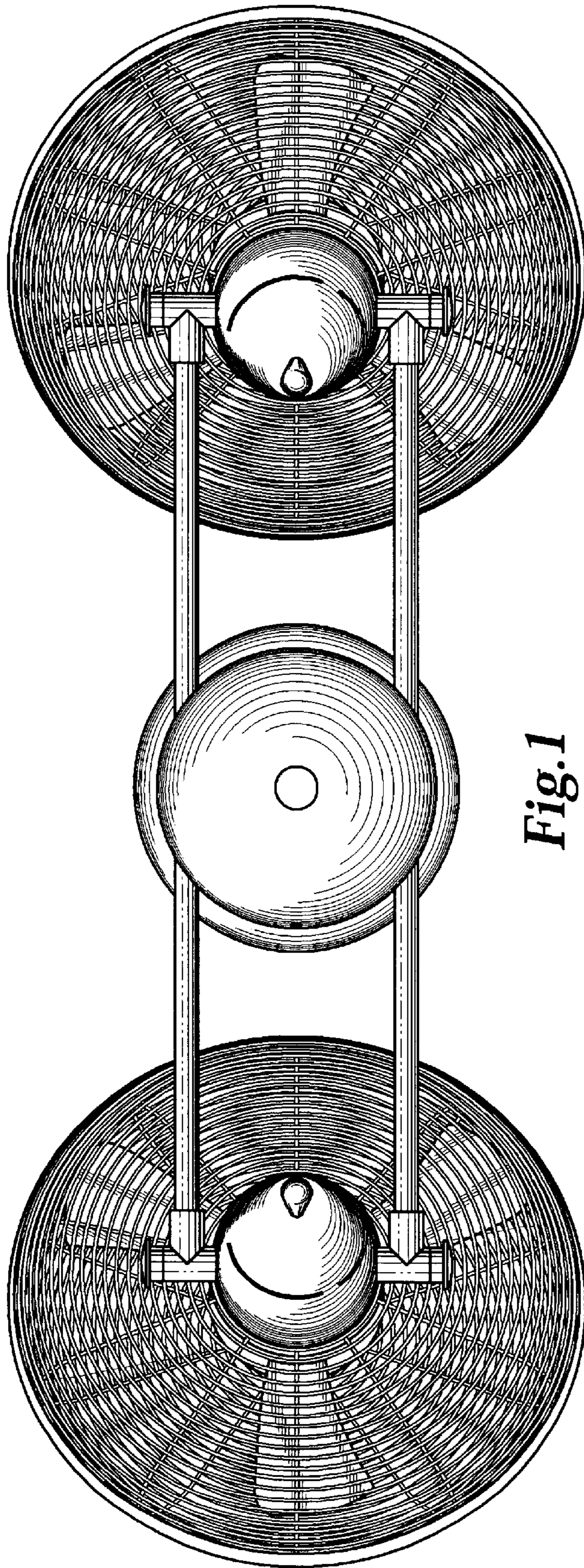


Fig. 1

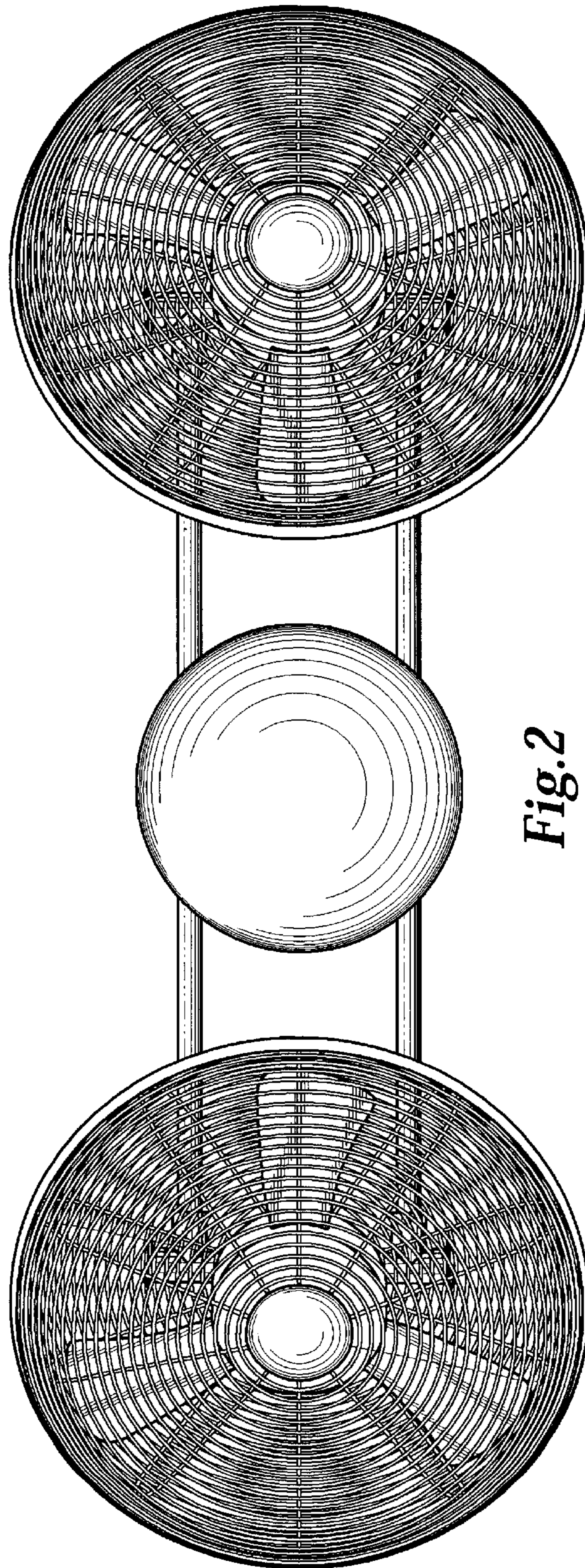


Fig. 2

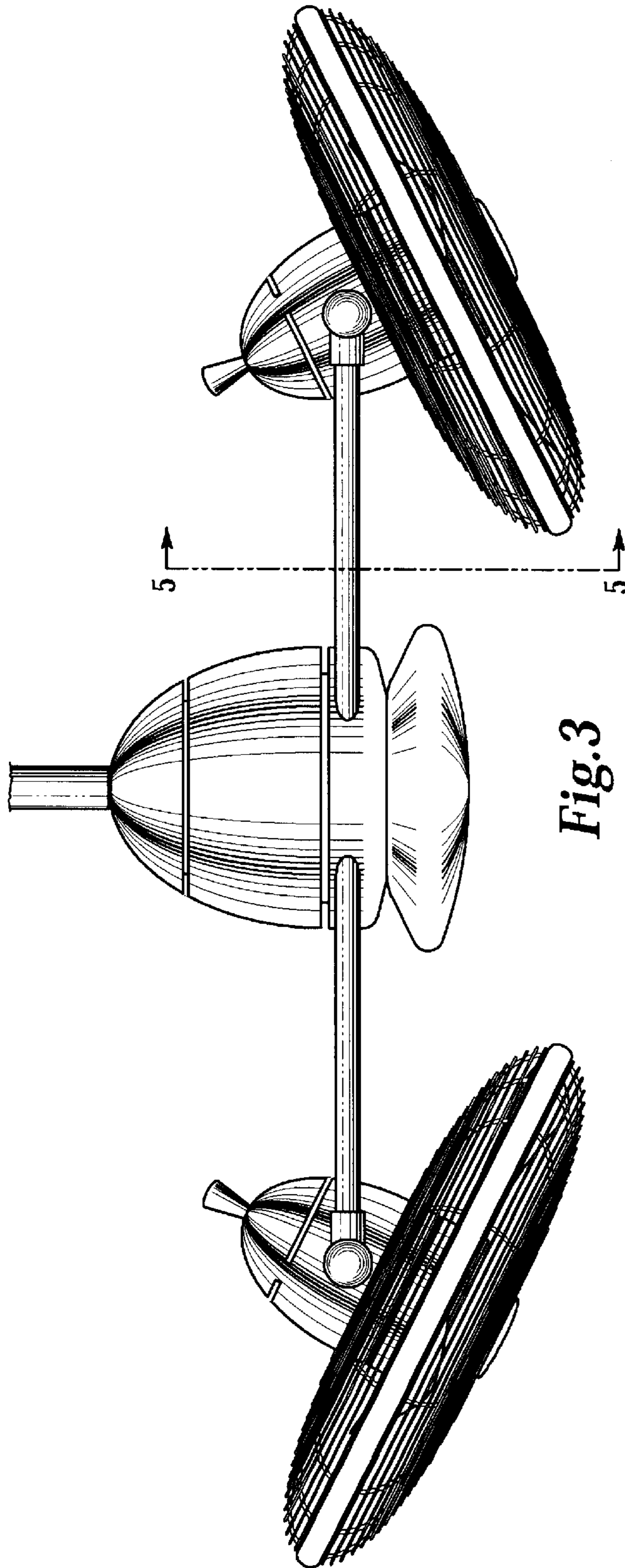


Fig. 3

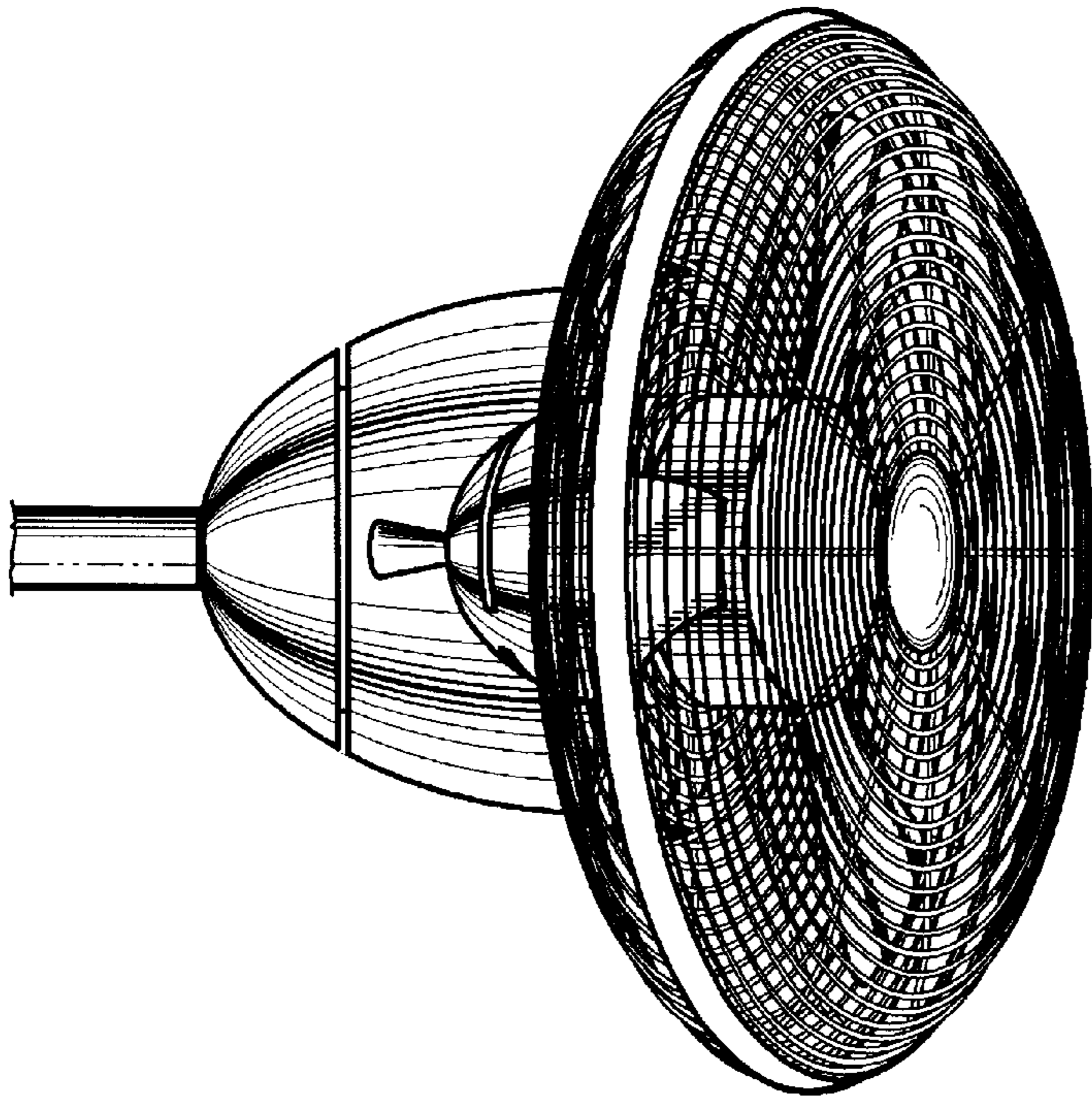


Fig. 4

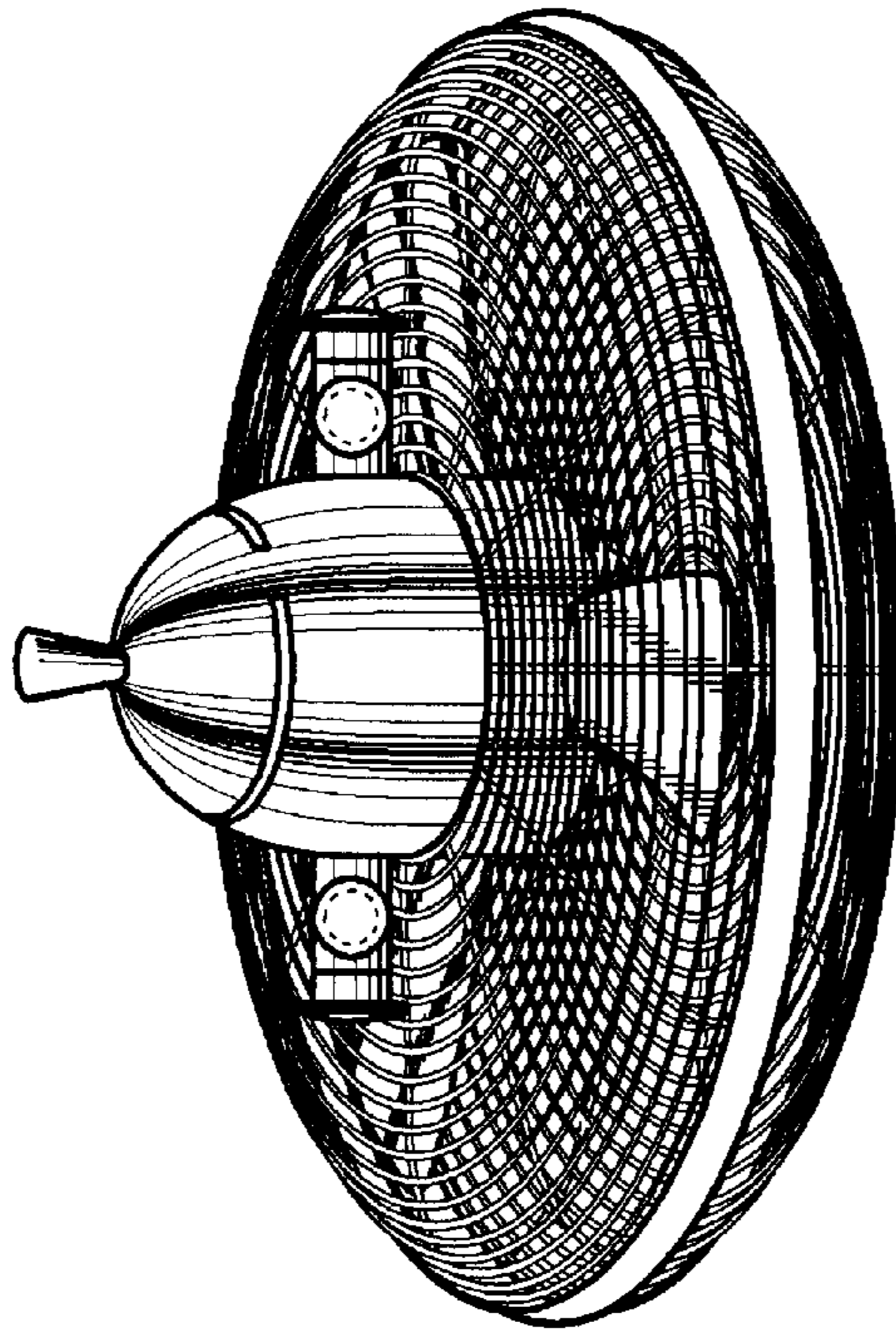


Fig. 5