



US00D490143S

(12) **United States Design Patent**
Dretzka

(10) **Patent No.:** **US D490,143 S**

(45) **Date of Patent:** **** May 18, 2004**

(54) **FAUCET**

D461,528 S * 8/2002 Chang D23/241
D467,312 S * 12/2002 Singtoroj D23/250

(75) **Inventor:** **Lizabeth Dretzka**, Cleveland Heights,
OH (US)

* cited by examiner

(73) **Assignee:** **Moen Incorporated**, North Olmsted,
OH (US)

Primary Examiner—Louis S. Zarfes
Assistant Examiner—Gregory Andoll
(74) *Attorney, Agent, or Firm*—Calfee, Halter & Griswold,
LLP

(**) **Term:** **14 Years**

(21) **Appl. No.:** **29/185,295**

(57) **CLAIM**

(22) **Filed:** **Jun. 25, 2003**

The ornamental design for a faucet, as shown and described.

(51) **LOC (7) Cl.** **23-01**

DESCRIPTION

(52) **U.S. Cl.** **D23/241; D23/242**

FIG. 1 is a perspective view of my new design for a faucet;
FIG. 2 is a second perspective view;
FIG. 3 is a top plan view;
FIG. 4 is a bottom plan view;
FIG. 5 is a front elevation view;
FIG. 6 is a rear elevation view;
FIG. 7 is a left side elevation view; and,
FIG. 8 is a right side elevation view.

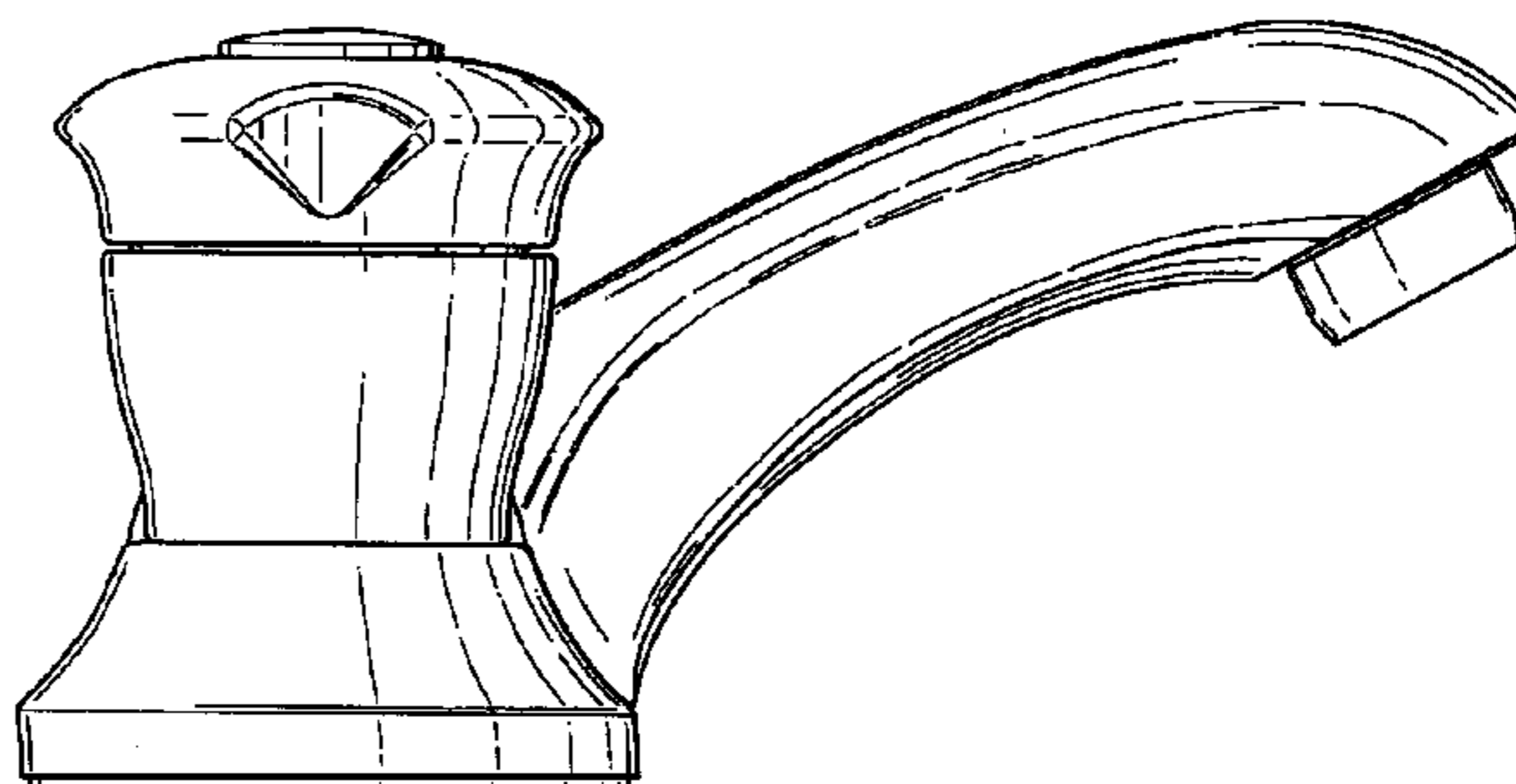
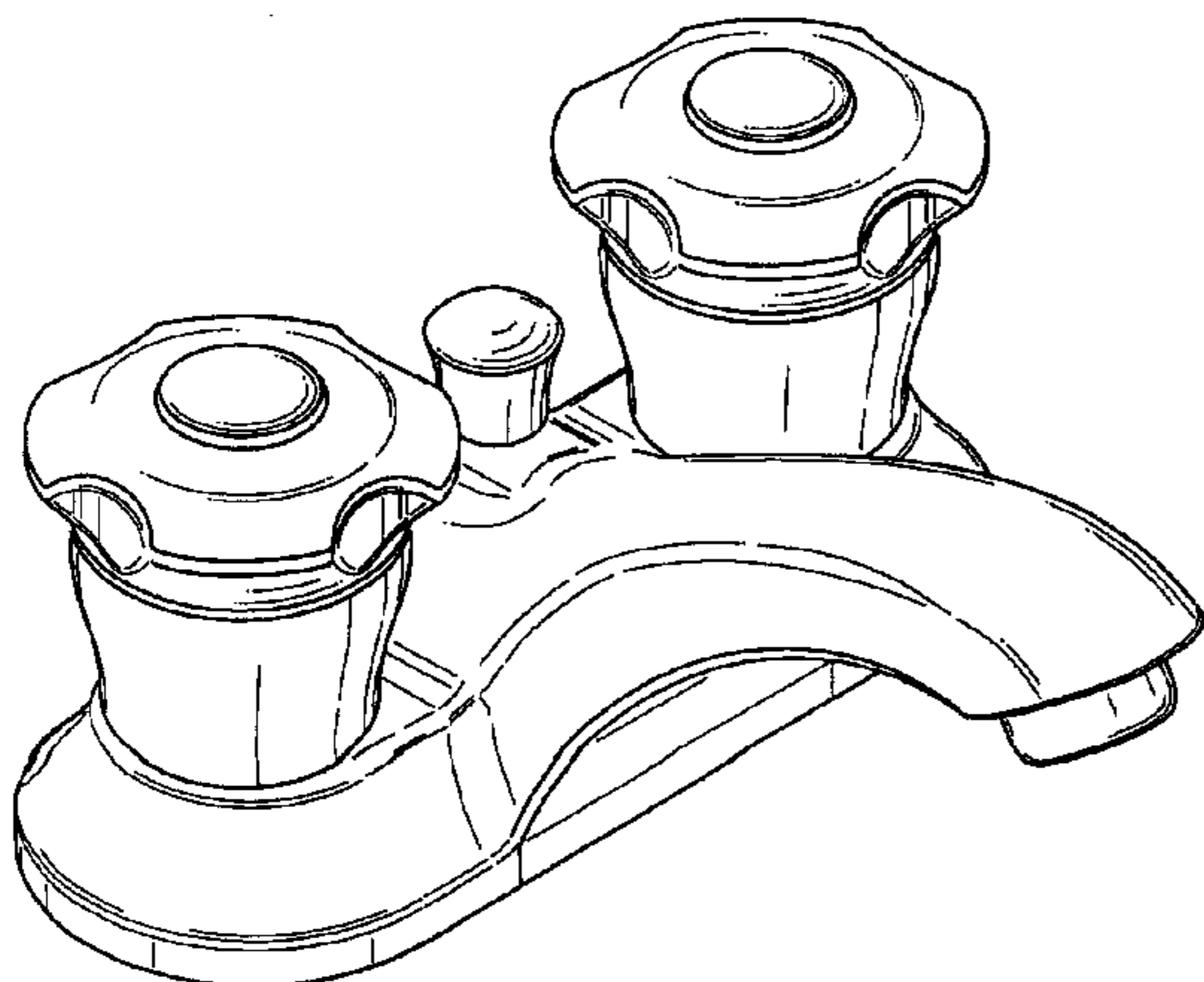
(58) **Field of Search** D23/238–257;
4/675–678; 137/801

(56) **References Cited**

U.S. PATENT DOCUMENTS

D381,399 S * 7/1997 Doughty et al. D23/241
D397,424 S * 8/1998 Ficken, Jr. et al. D23/241
D402,352 S * 12/1998 Ficken, Jr. et al. D23/241

1 Claim, 4 Drawing Sheets



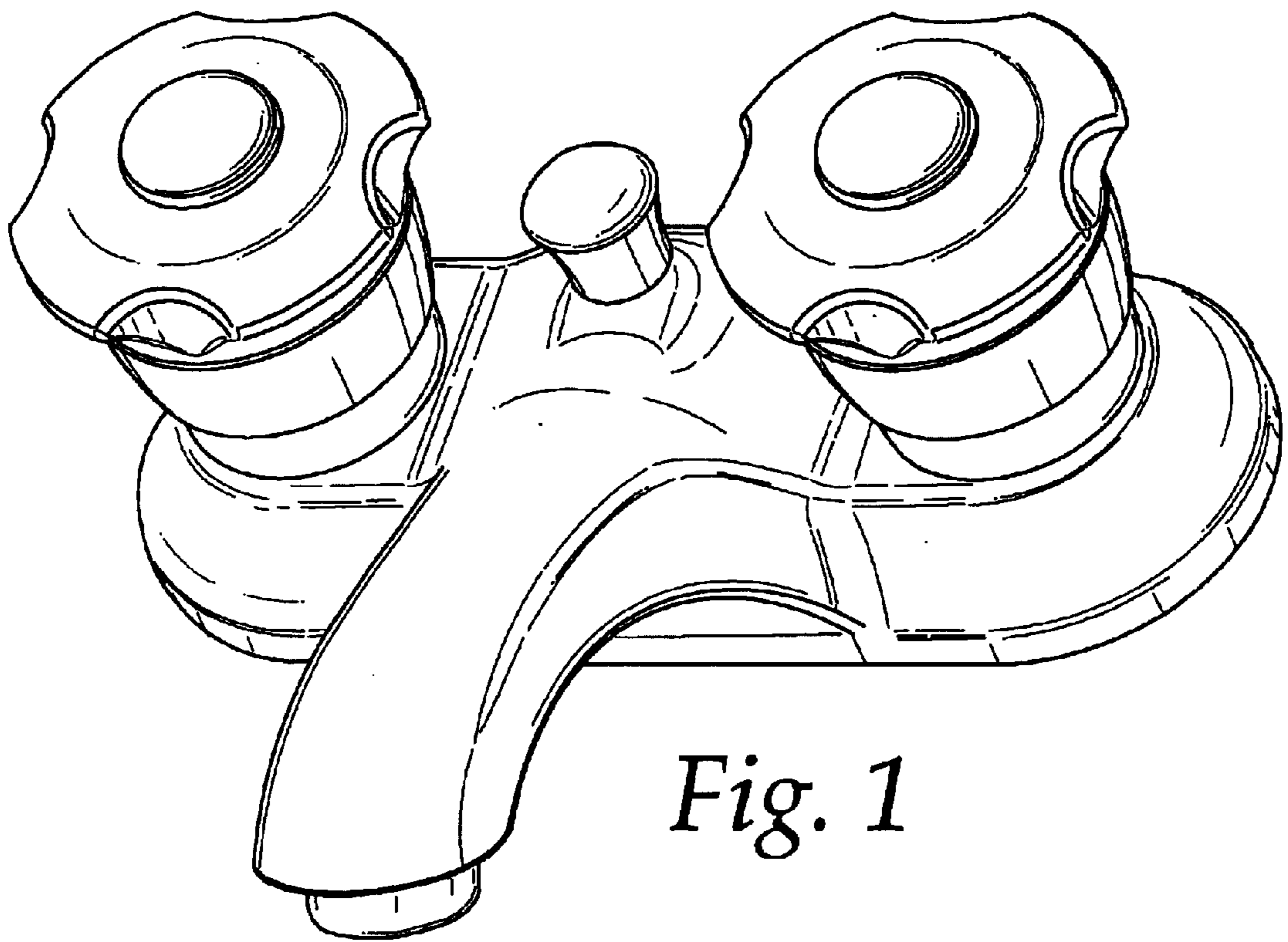


Fig. 1

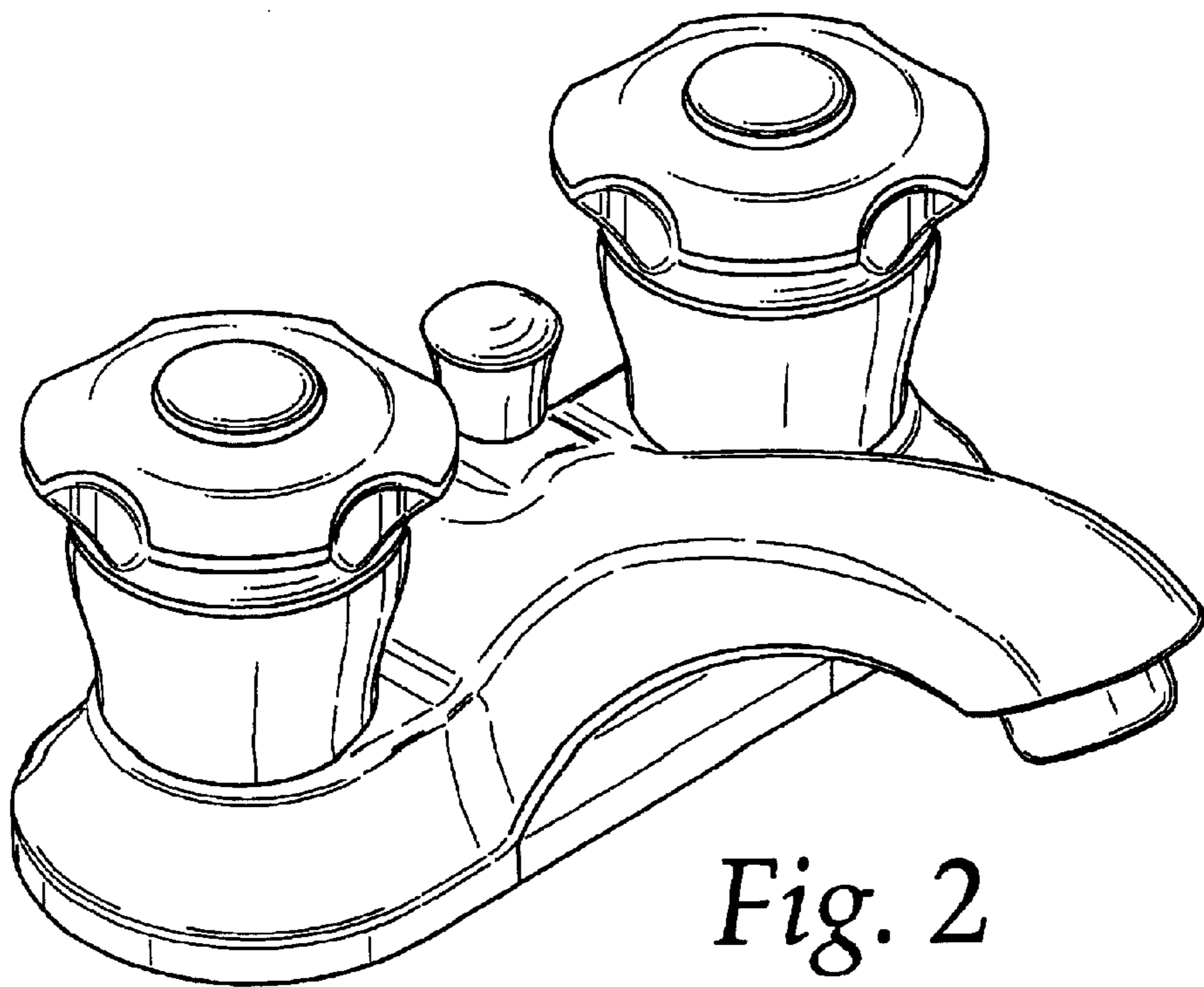


Fig. 2

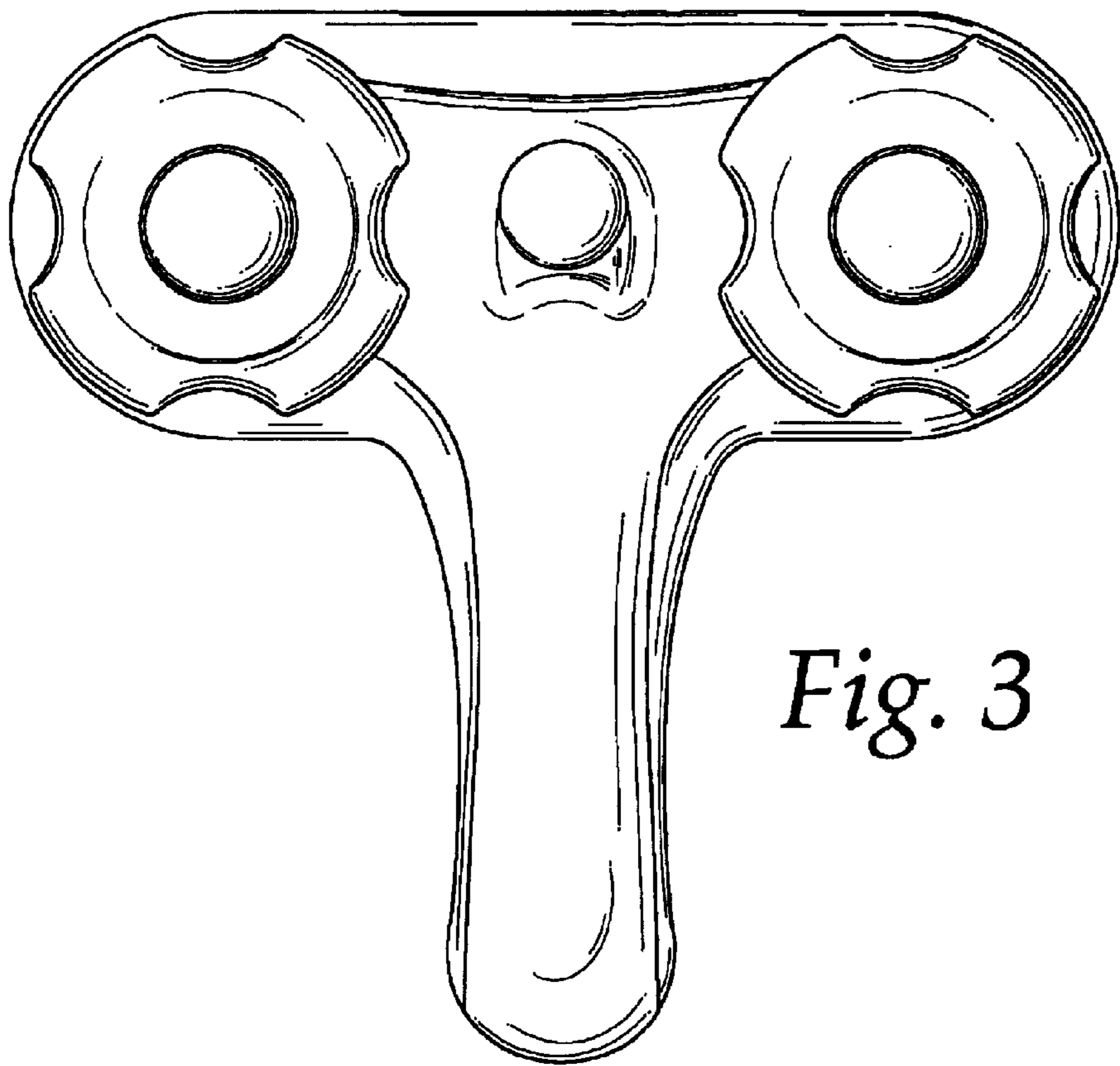


Fig. 3

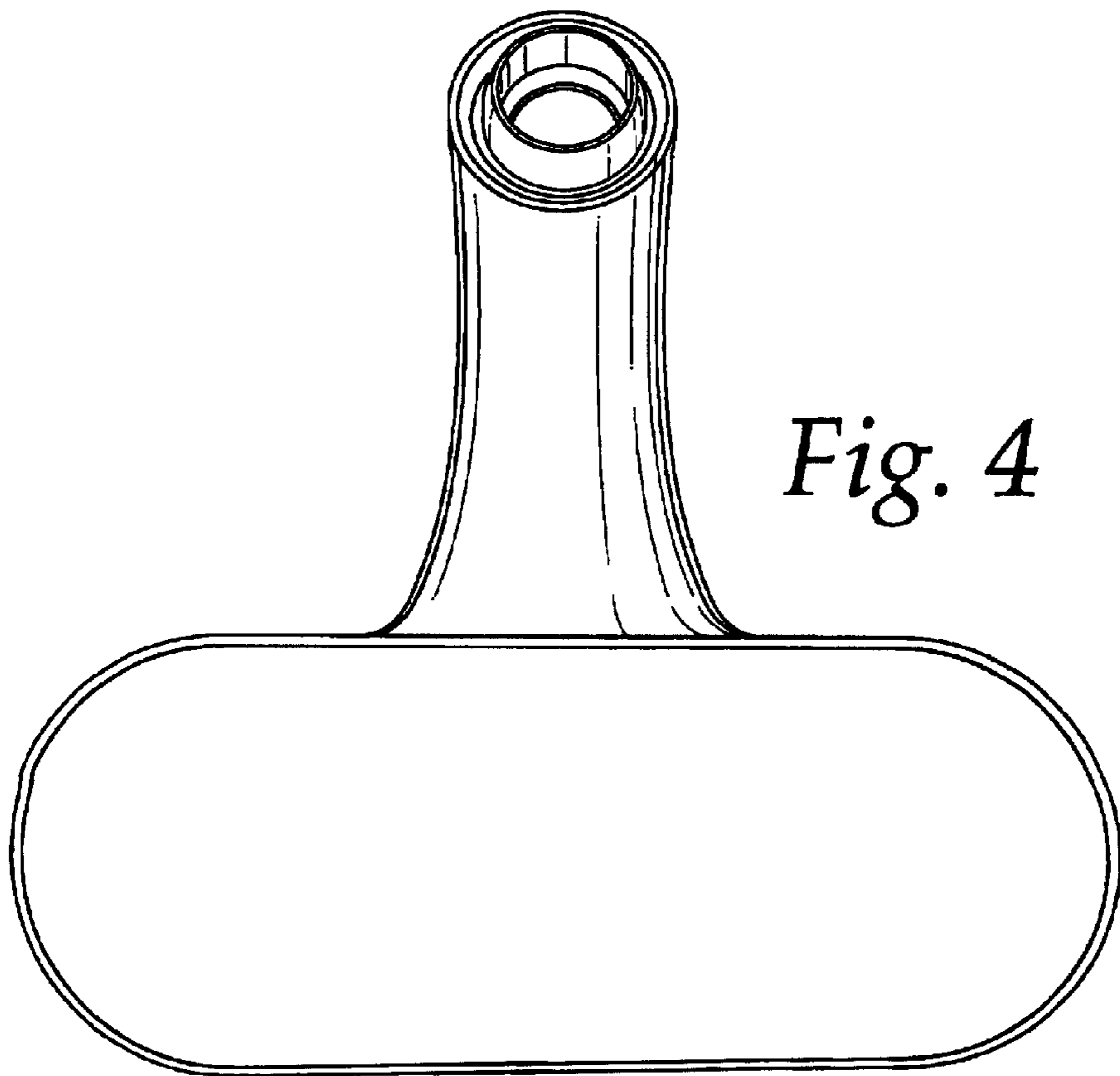


Fig. 4

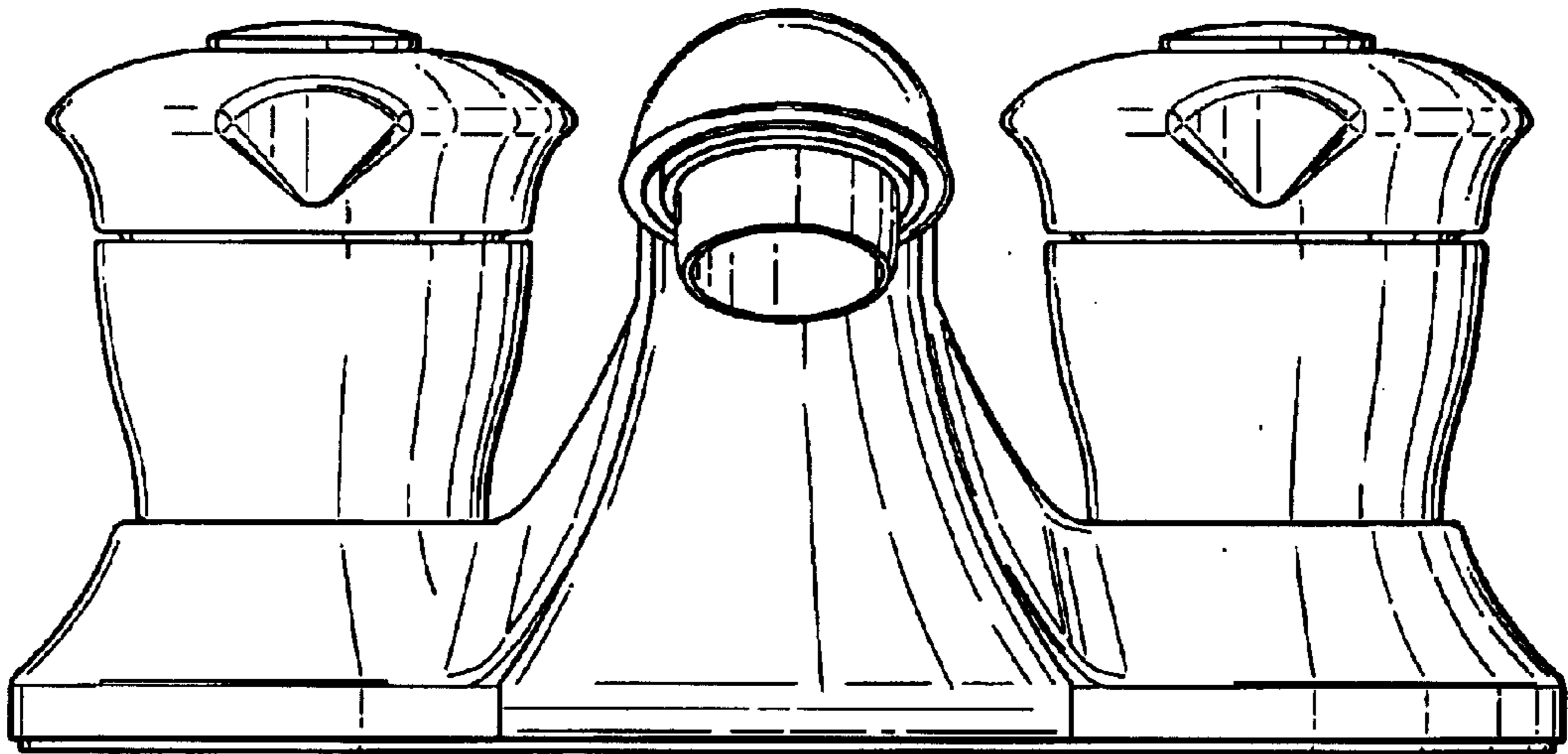


Fig. 5

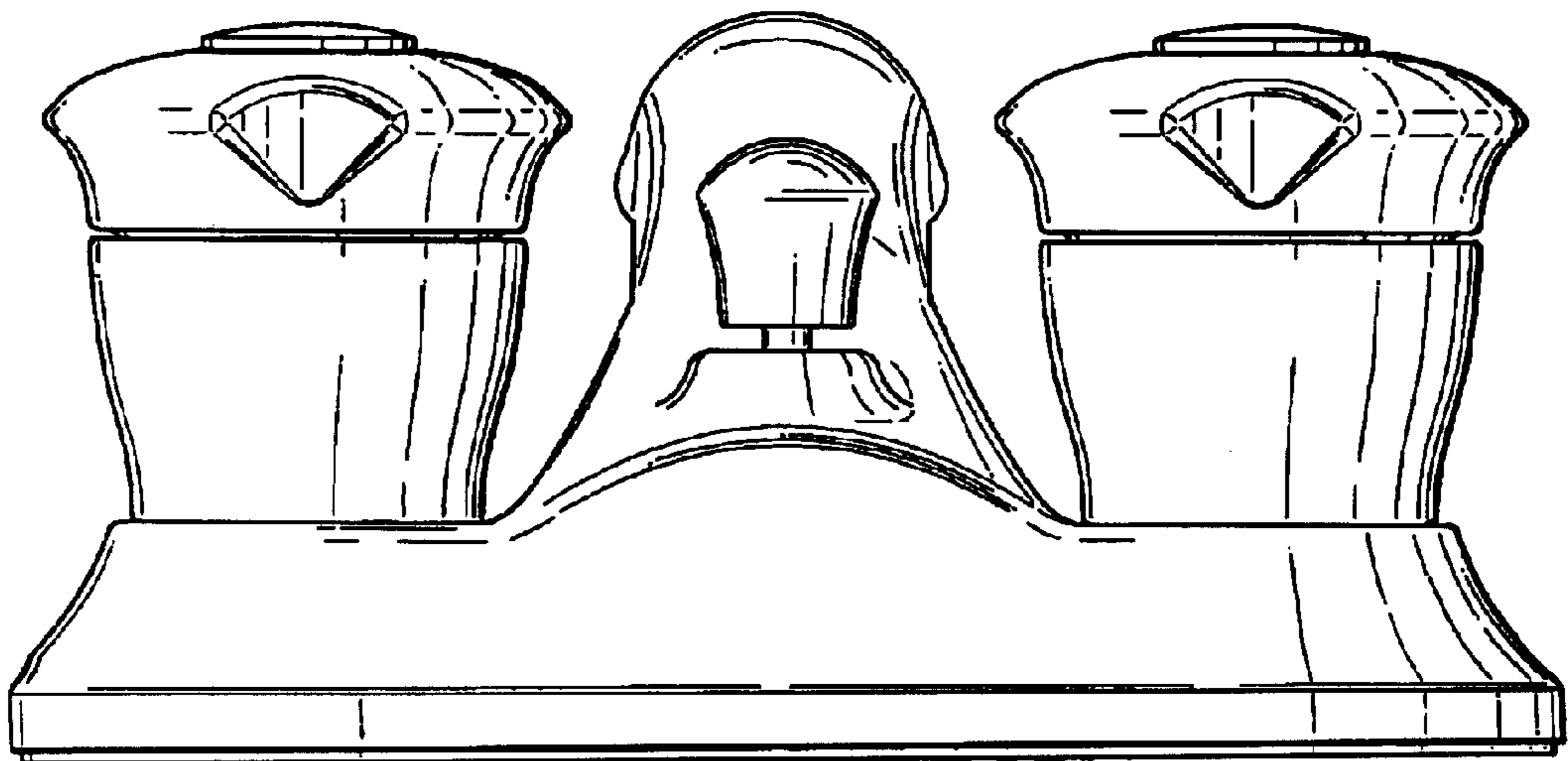


Fig. 6

