



US00D490142S

(12) **United States Design Patent**
Ouyoung

(10) **Patent No.:** **US D490,142 S**

(45) **Date of Patent:** **** May 18, 2004**

(54) **FAUCET SET**

D470,225 S * 2/2003 Xie D23/242

(75) **Inventor:** **Scott Ouyoung**, Taichung (TW)

* cited by examiner

(73) **Assignee:** **Globe Union Industrial Corp.**,
Taichung (TW)

Primary Examiner—Louis S. Zarfes

Assistant Examiner—Gregory Andoll

(**) **Term:** **14 Years**

(74) *Attorney, Agent, or Firm*—Leong C. Lei

(21) **Appl. No.:** **29/170,838**

(57) **CLAIM**

The ornamental design for a faucet set, as shown and described.

(22) **Filed:** **Nov. 14, 2002**

DESCRIPTION

(51) **LOC (7) Cl.** **23-01**

FIG. 1 is a perspective view of a faucet set showing my new design;

(52) **U.S. Cl.** **D23/241; D23/239; D23/240**

FIG. 2 is a front side elevation view thereof shown with the handles in a modified position;

(58) **Field of Search** **D23/238–243,**
D23/250–257; 4/675–678; 137/801

FIG. 3 is a left side elevation view thereof;

FIG. 4 is a right side elevation view thereof;

FIG. 5 is a rear side elevation view thereof;

FIG. 6 is a top plan view thereof; and,

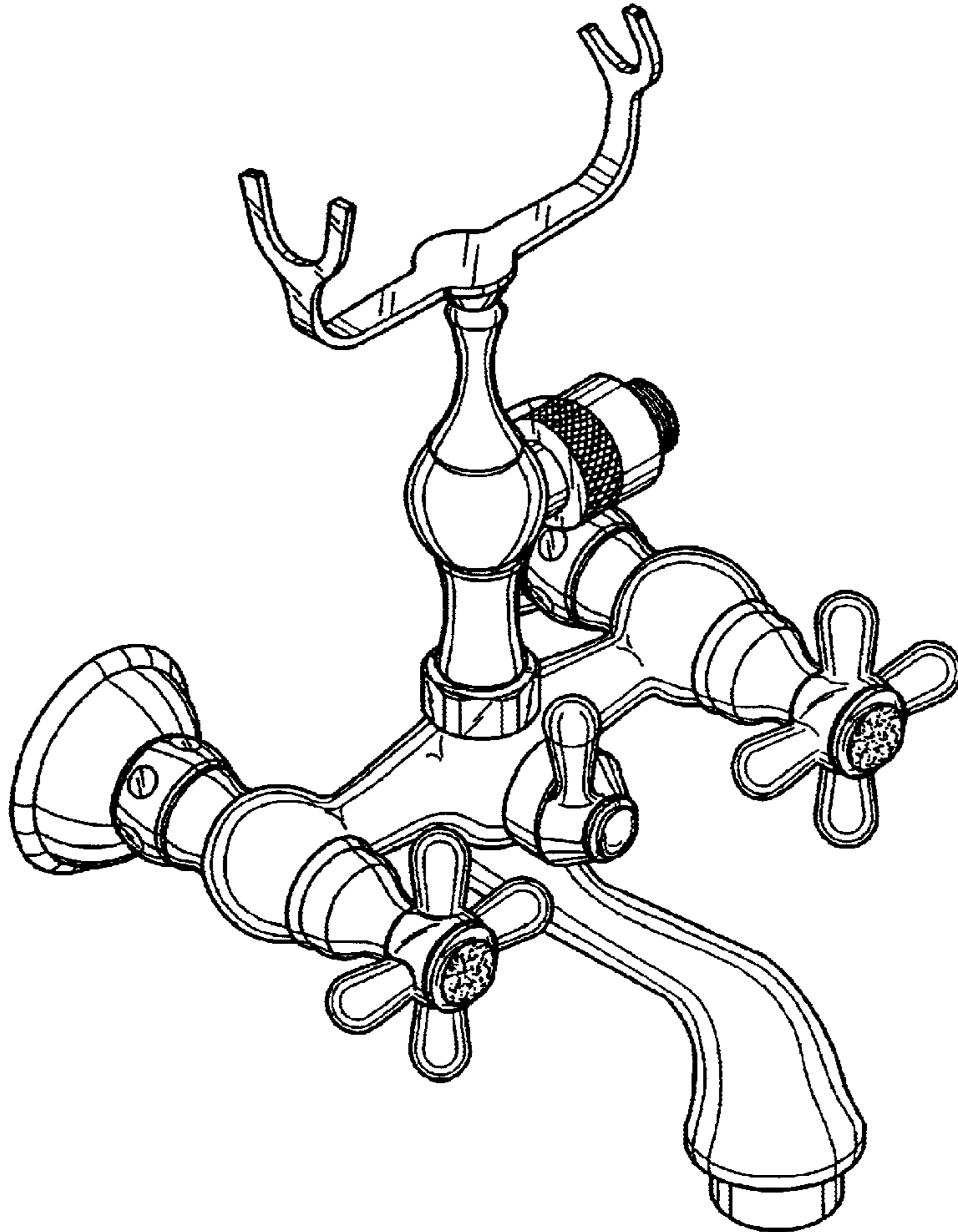
FIG. 7 is a bottom plan view thereof.

(56) **References Cited**

U.S. PATENT DOCUMENTS

D57,193 S * 3/1921 Mueller D23/239
D77,023 S * 11/1928 Mueller D23/240
D342,119 S * 12/1993 Shieh D23/239

1 Claim, 7 Drawing Sheets



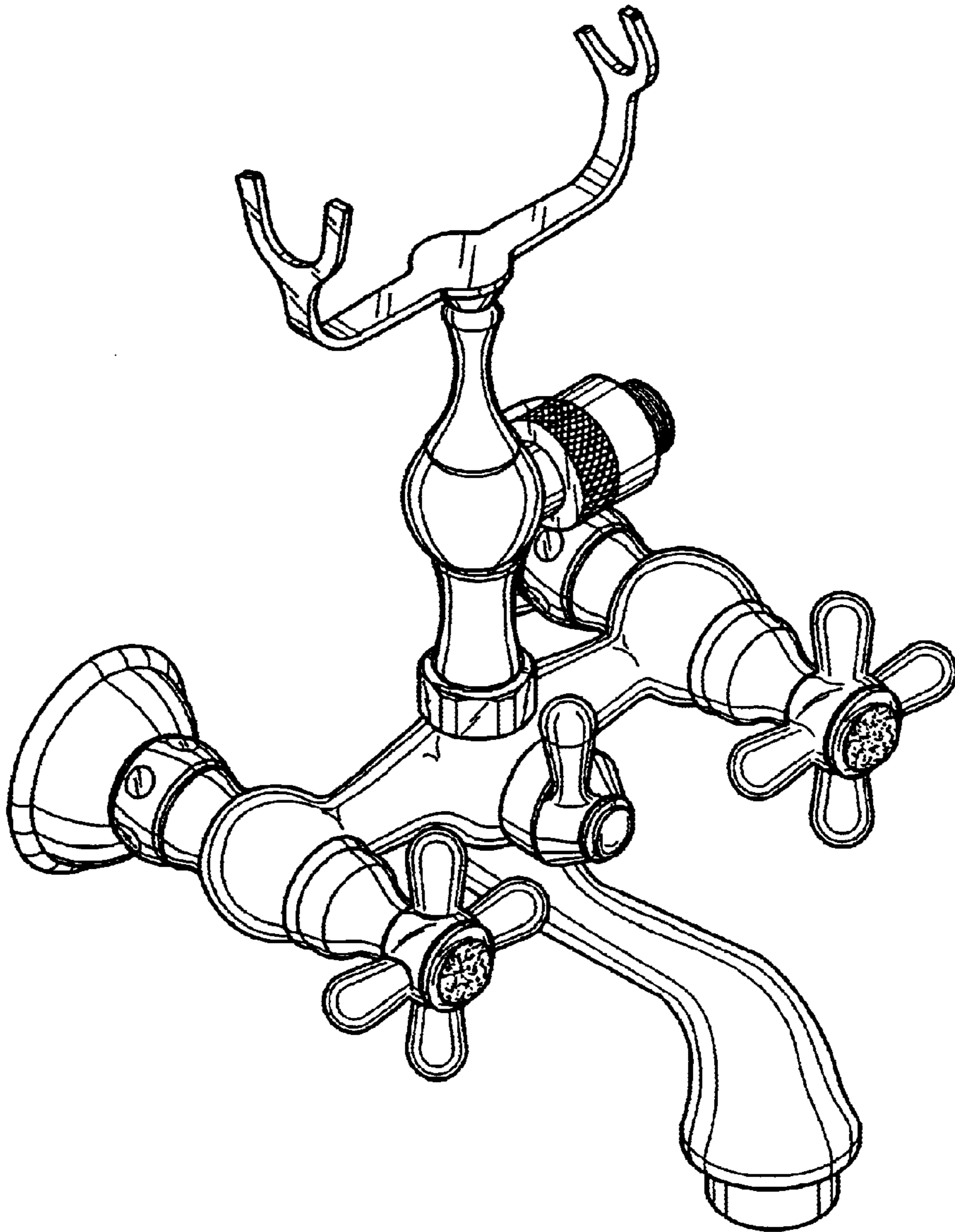


FIG. 1

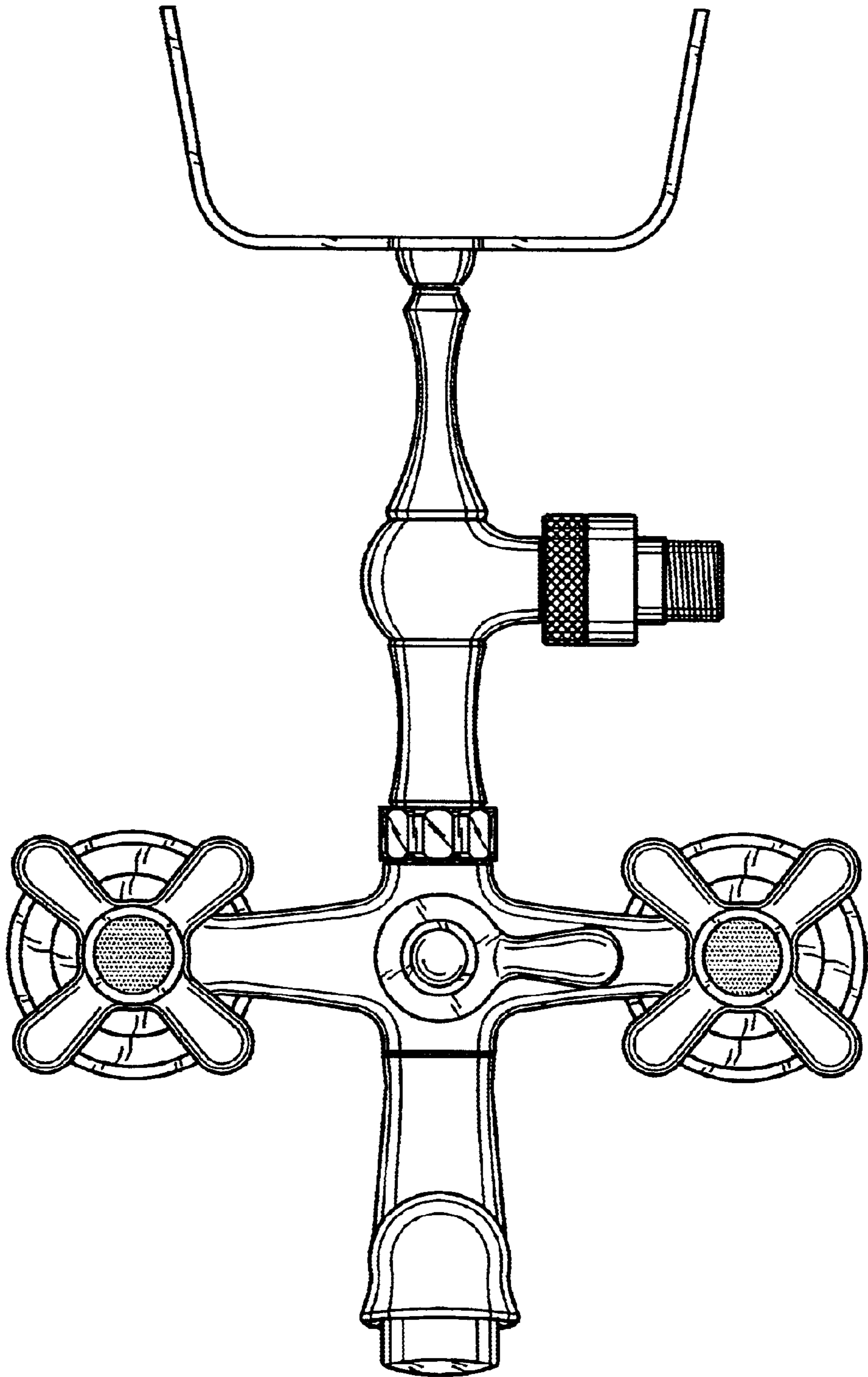


FIG. 2

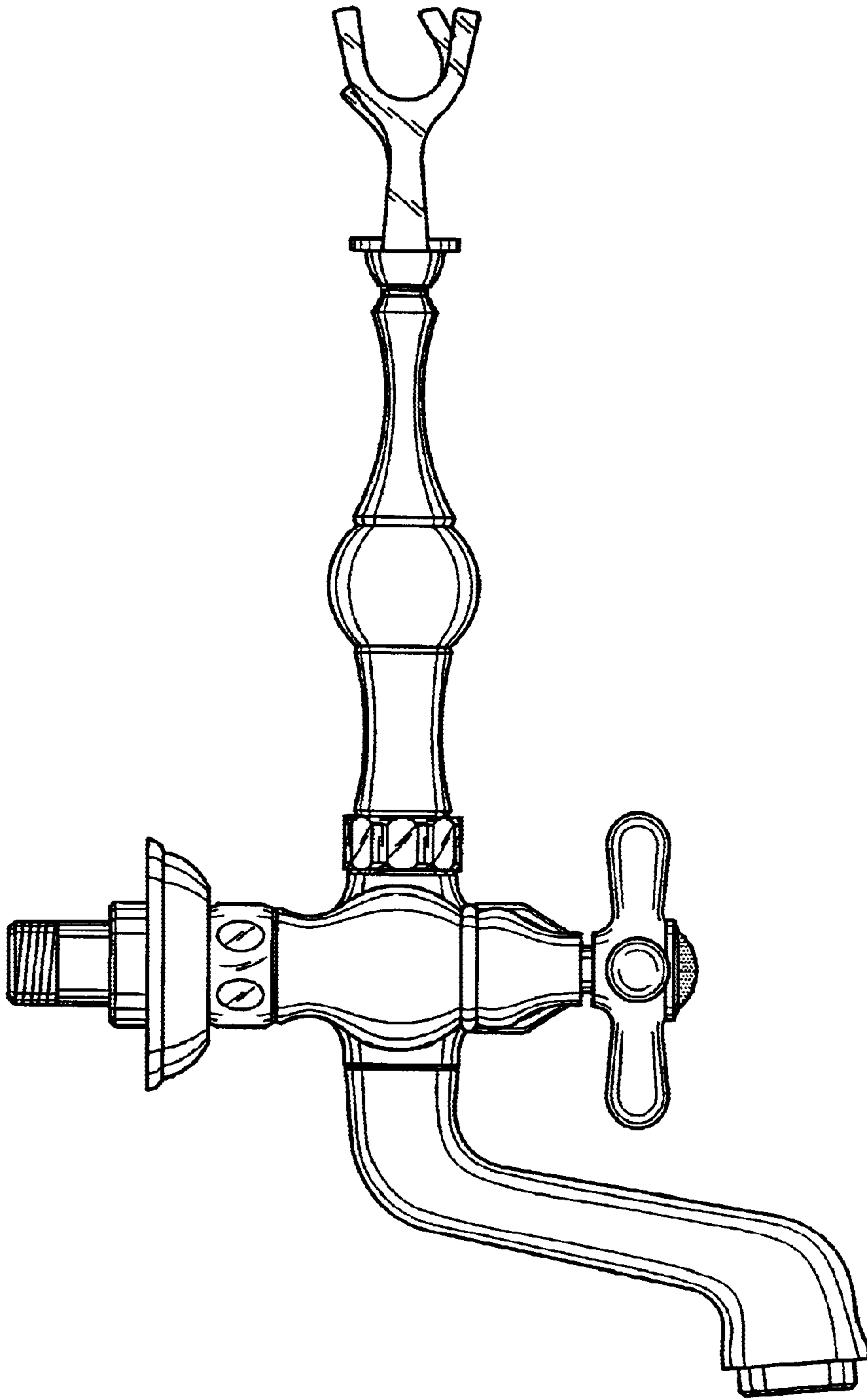


FIG. 3

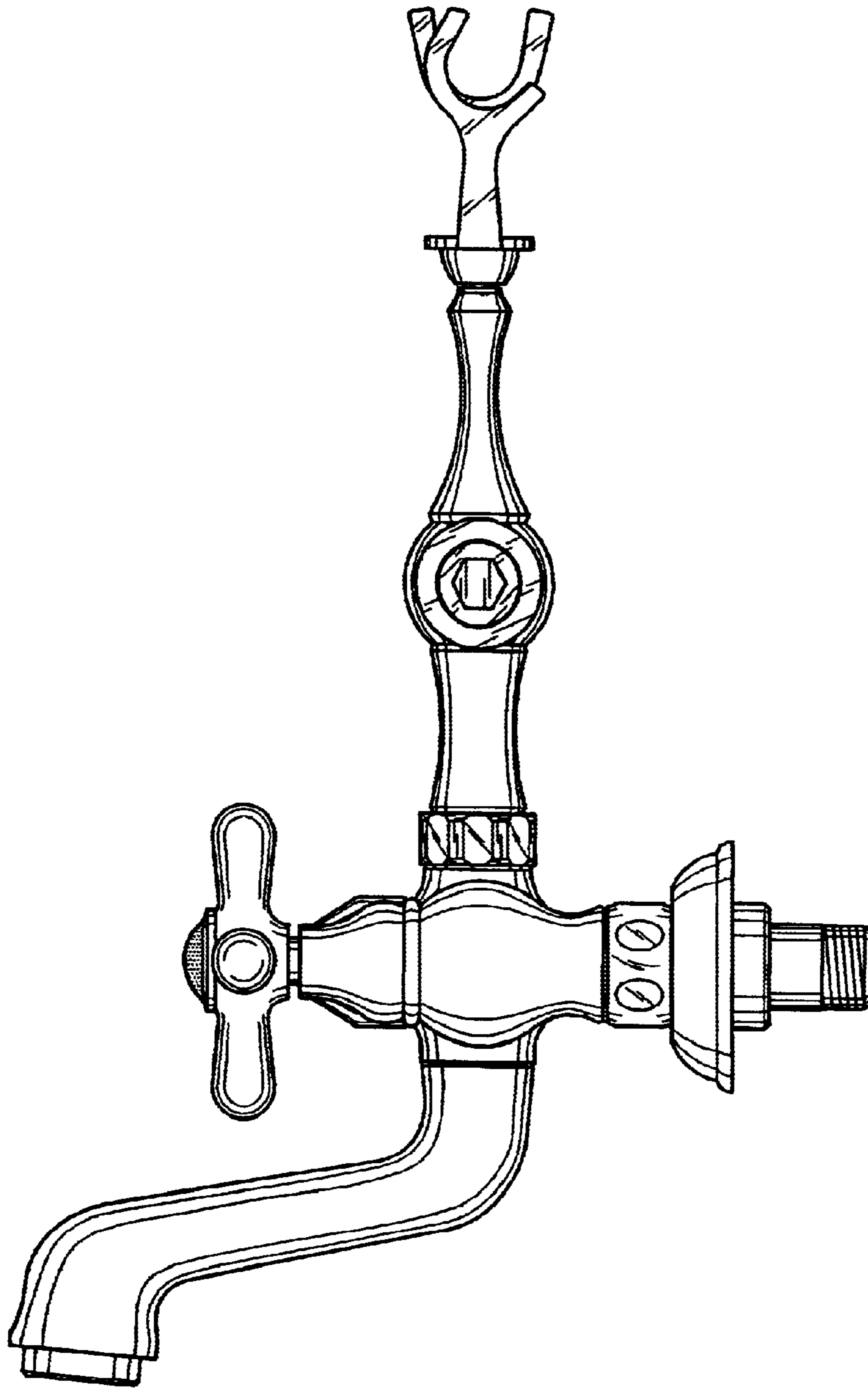


FIG. 4

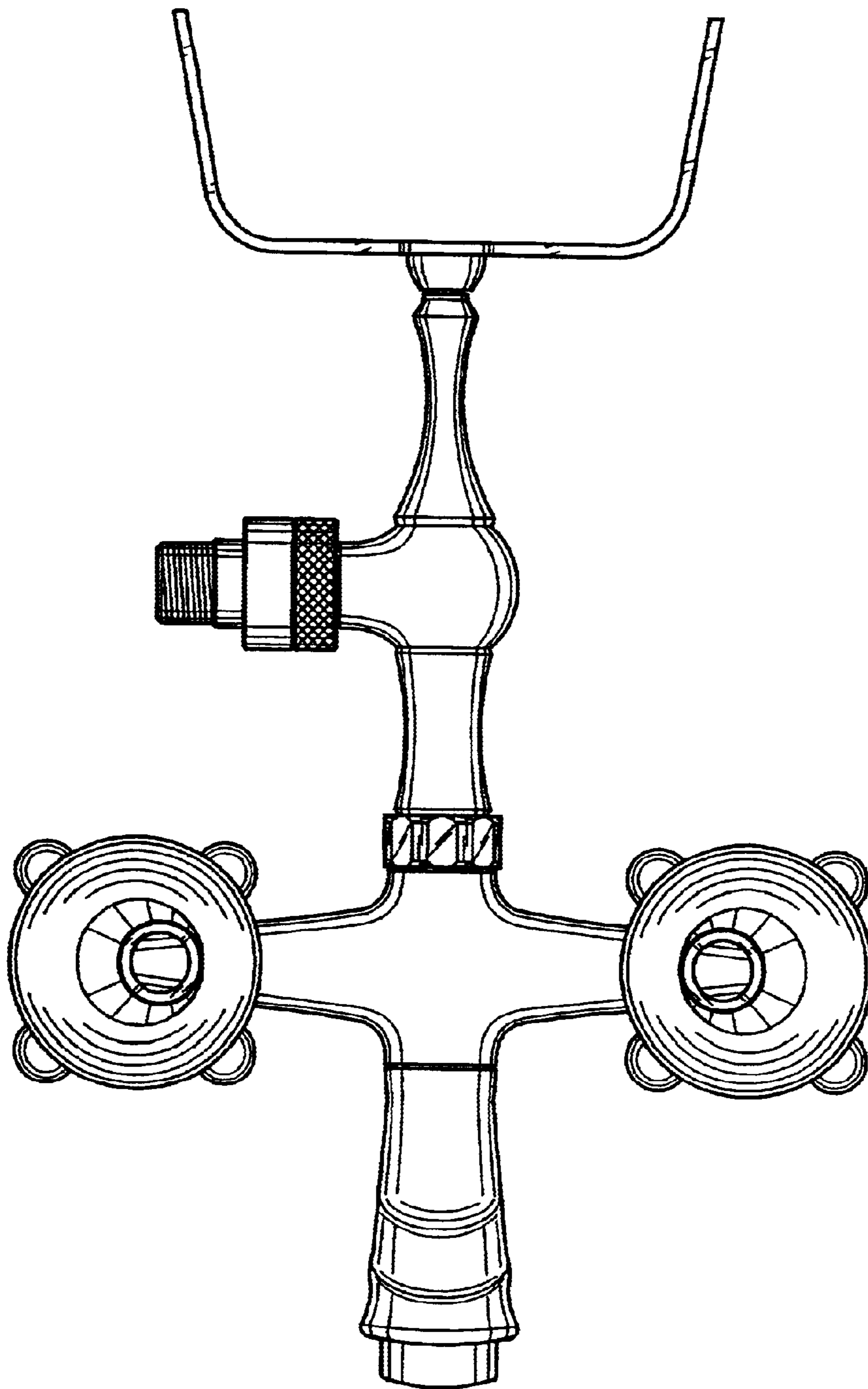


FIG. 5

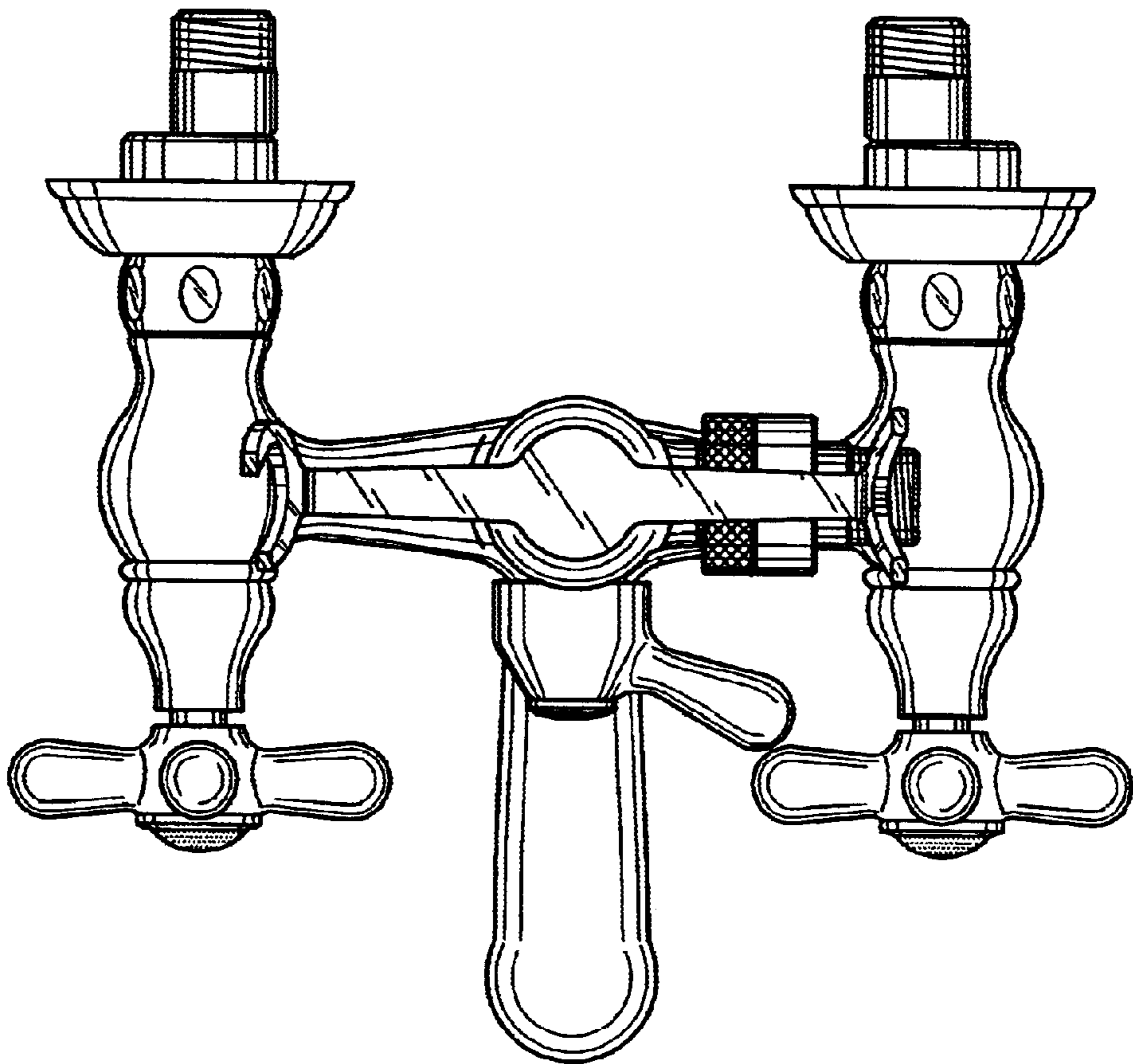


FIG. 6

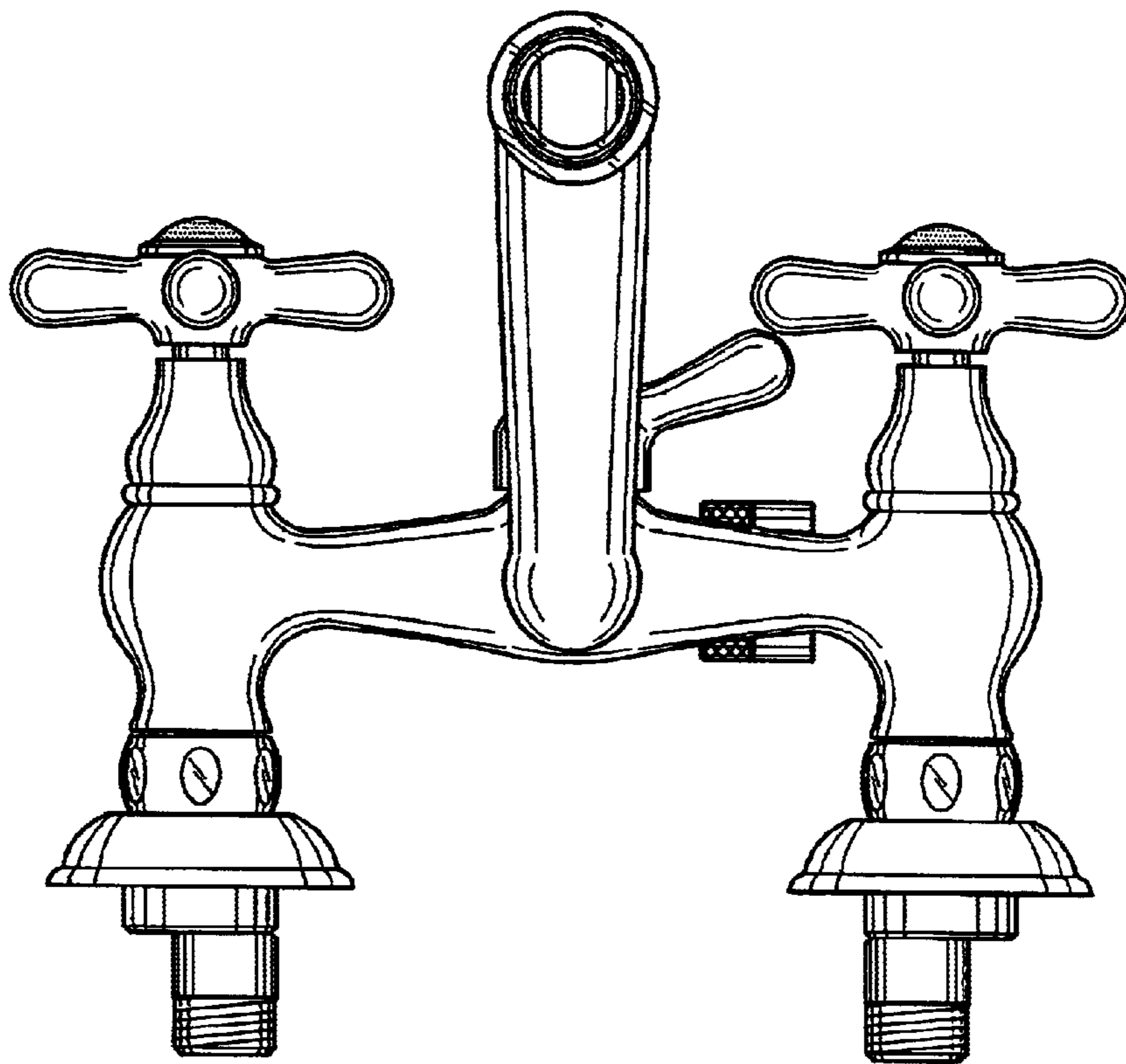


FIG. 7