



US00D490141S

(12) **United States Design Patent**
Pelletz et al.

(10) **Patent No.:** **US D490,141 S**

(45) **Date of Patent:** **** May 18, 2004**

(54) **BYPASS VALVE**

(76) Inventors: **Leslie G. Pelletz**, 19 Depot St., Suite 6 B, Uxbridge, MA (US) 01569; **Brian R. Sabala**, 19 Depot St., Suite 6 B, Uxbridge, MA (US) 01569

(**) Term: **14 Years**

(21) Appl. No.: **29/168,727**

(22) Filed: **Oct. 7, 2002**

(51) **LOC (7) Cl.** **23-01**

(52) **U.S. Cl.** **D23/233**

(58) **Field of Search** D23/233, 244-249;
137/468, 460, 498; 251/288, 315.14, 14,
309, 335.3

(56) **References Cited**

U.S. PATENT DOCUMENTS

D77,028 S	*	11/1928	Price et al.	D23/245
D177,198 S	*	3/1956	Terry	D23/248
D186,489 S	*	10/1959	Fryd	D23/248
D218,519 S	*	8/1970	Mese	D23/248
D270,752 S	*	9/1983	Gorans	D23/248
5,992,823 A	*	11/1999	Hung-Lin	251/315.14

OTHER PUBLICATIONS

Catalog page.

* cited by examiner

Primary Examiner—Nelson C. Holtje

(74) *Attorney, Agent, or Firm*—Norton R. Townsley;
Belasco Jacobs & Townsley, LLP

(57) **CLAIM**

We claim the ornamental design for the bypass valve, as shown and described.

DESCRIPTION

FIG. 1 is a perspective view of our new design for a bypass valve, with the main ball valve closed and the drain valve open; and the connecting sections and handle, not being part of our new design, shown in dotted lines;

FIG. 2 is a front view thereof with the main ball valve closed; the position of the drain valve not possible to determine in this view;

FIG. 3 is a rear view thereof with the main ball valve closed; the position of the drain valve not possible to determine in this view;

FIG. 4 is a side view thereof from the side opposite the drain valve, with the main ball valve open; the position of the drain valve not possible to determine in this view;

FIG. 5 is a side view thereof from the drain valve side with the main ball valve closed and the drain valve open;

FIG. 6 is a top view thereof with closed;

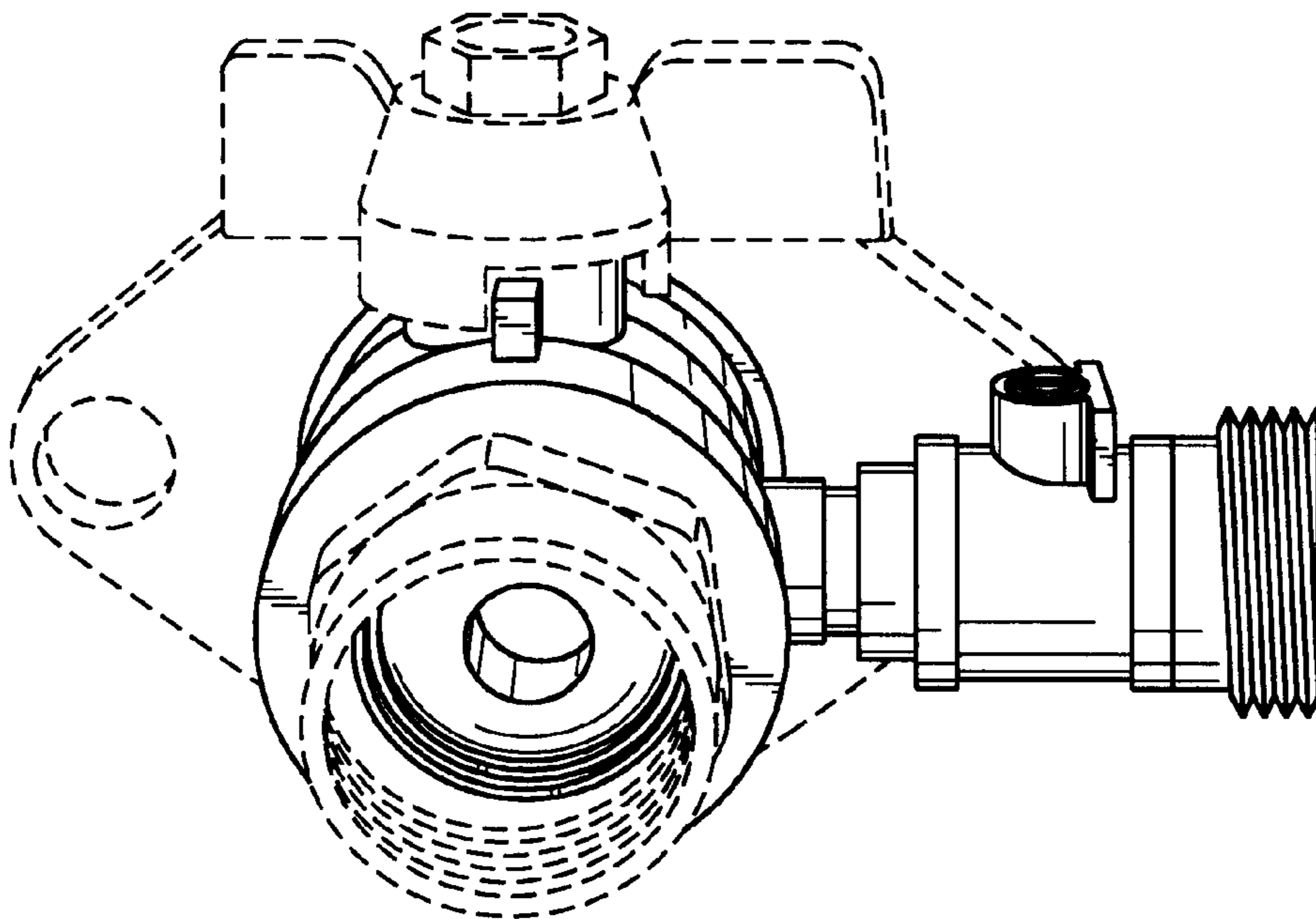
FIG. 7 is a bottom view thereof with the main ball valve open; the position of the drain valve not possible to determine in this view;

FIG. 8 is a top view thereof with the main ball valve and drain valve both open;

FIG. 9 is a front view thereof with the main ball valve open; the position of the drain valve not possible to determine in this view; and,

FIG. 10 is a perspective, unassembled view thereof, with the main ball valve closed and the drain valve open.

1 Claim, 3 Drawing Sheets



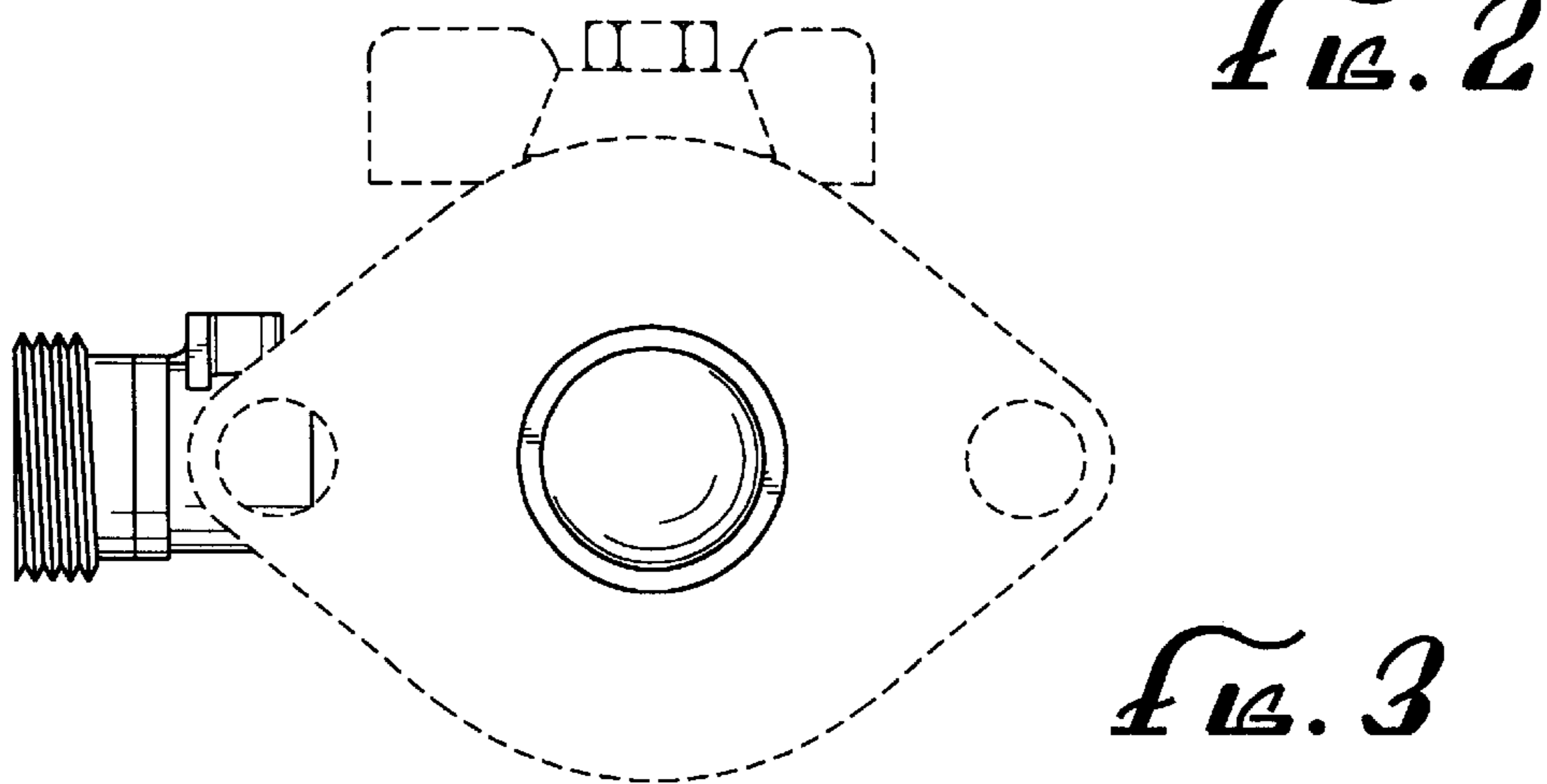
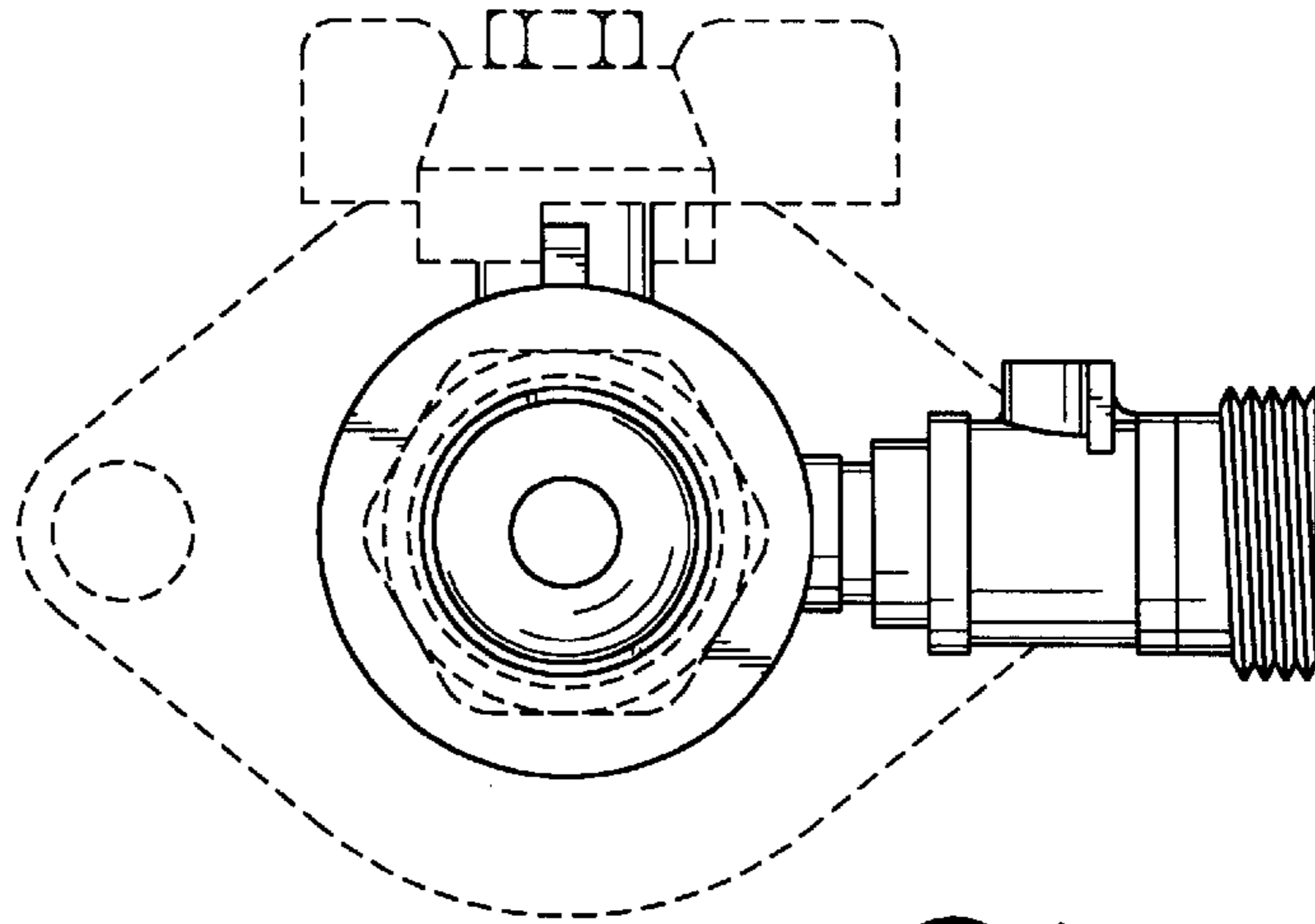
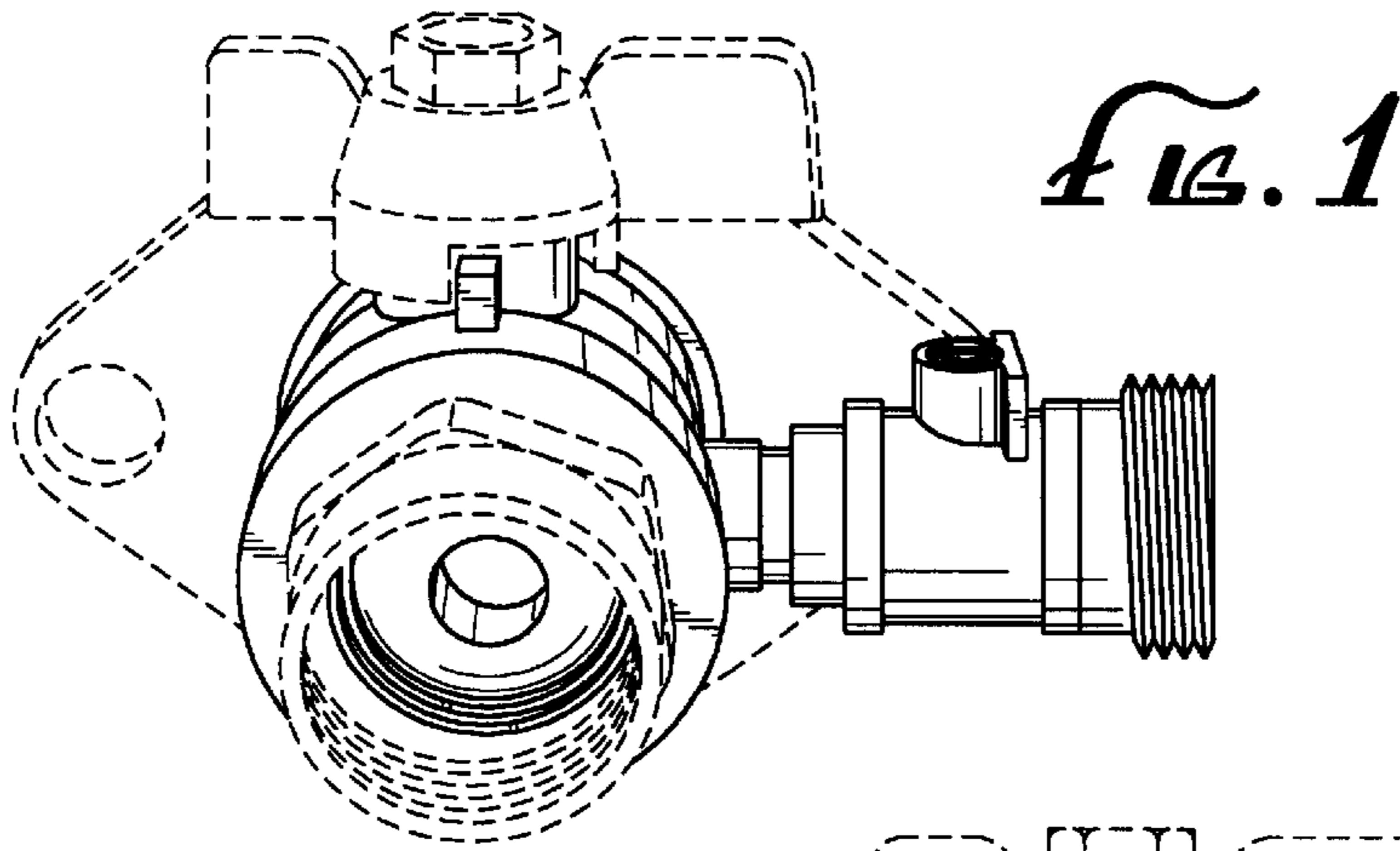


FIG. 4

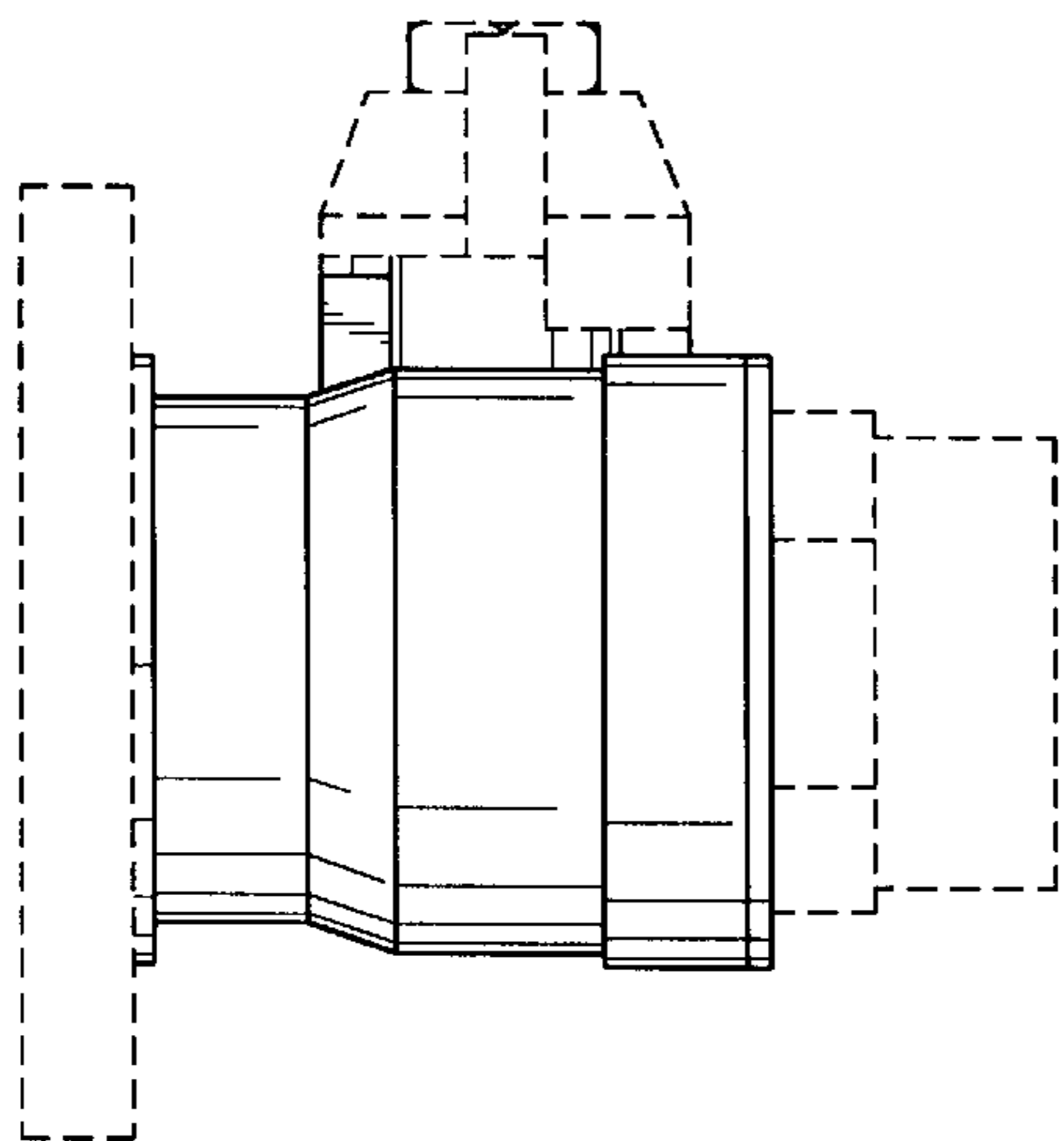


FIG. 5

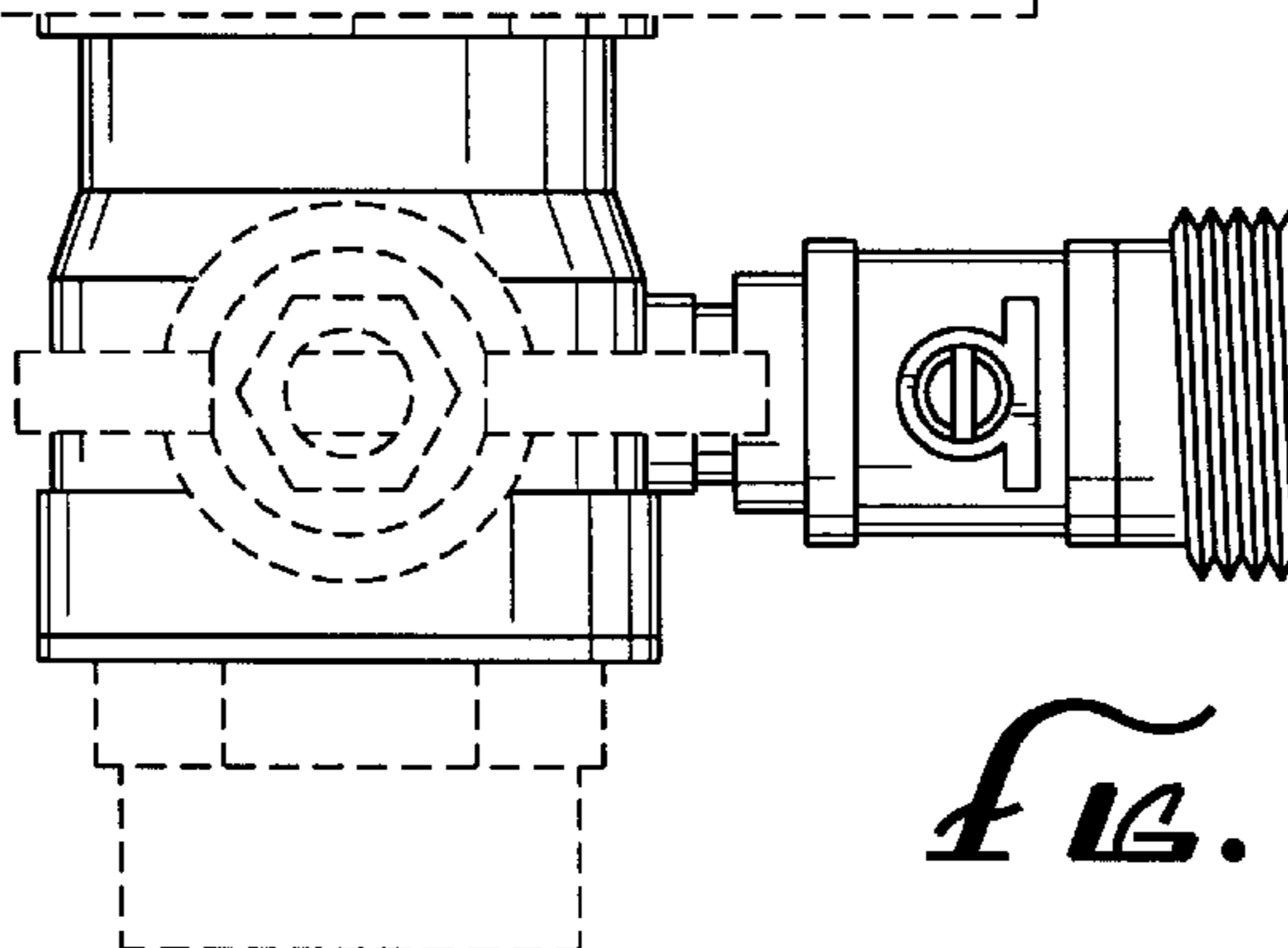
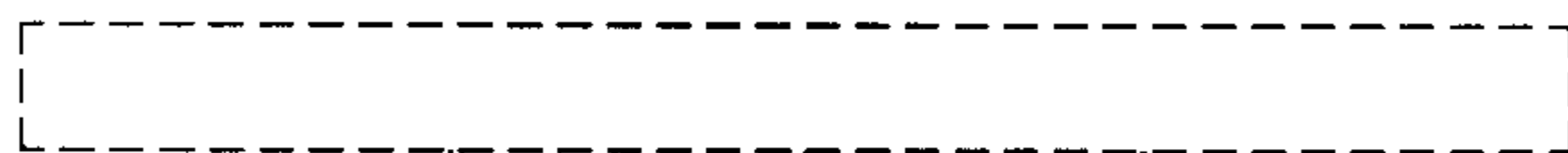
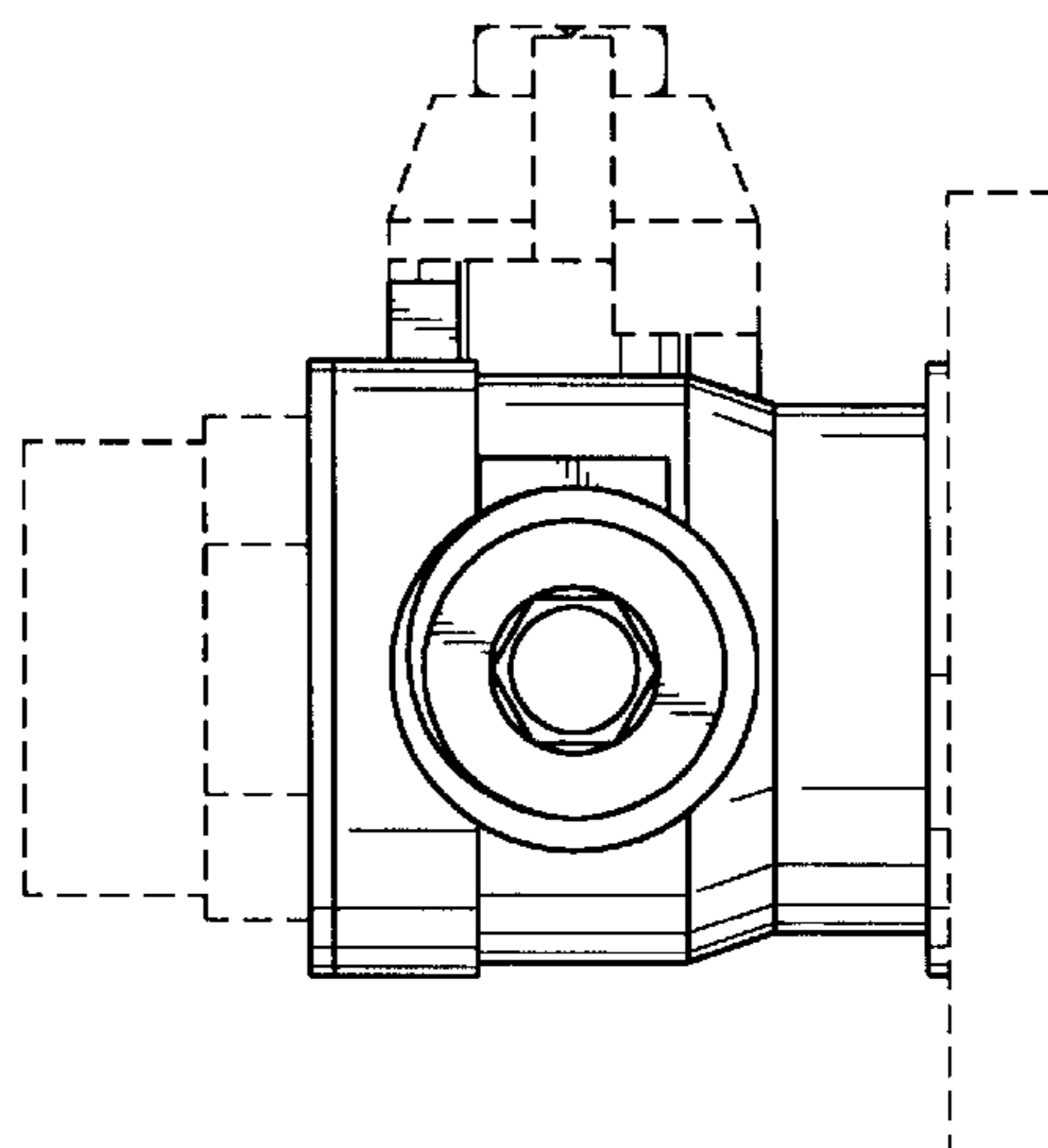


FIG. 6

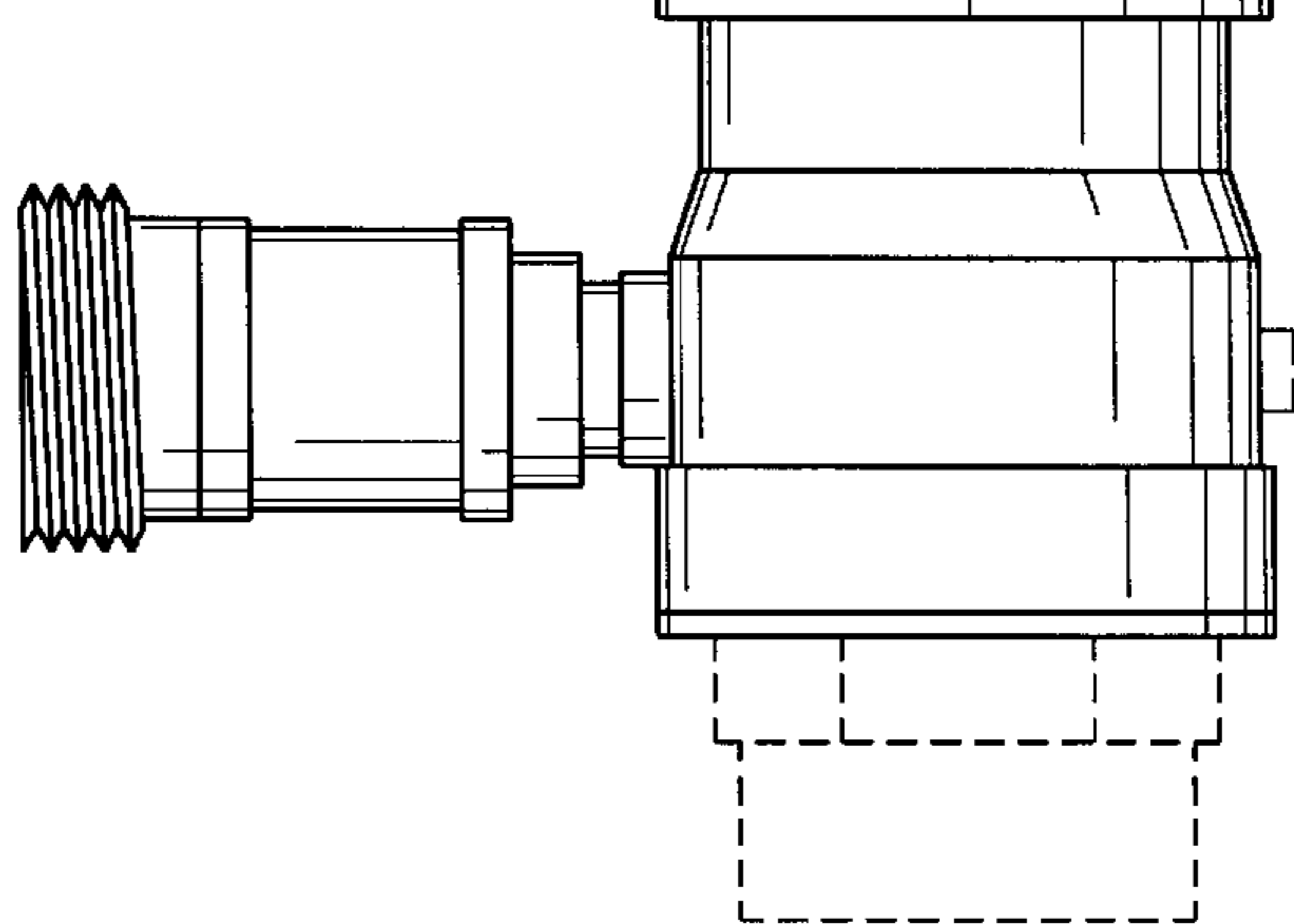
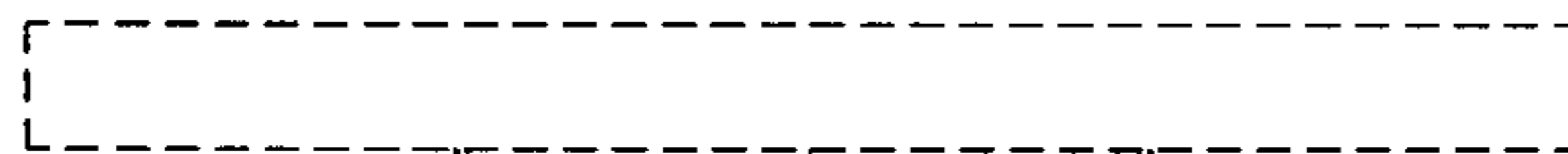


FIG. 7

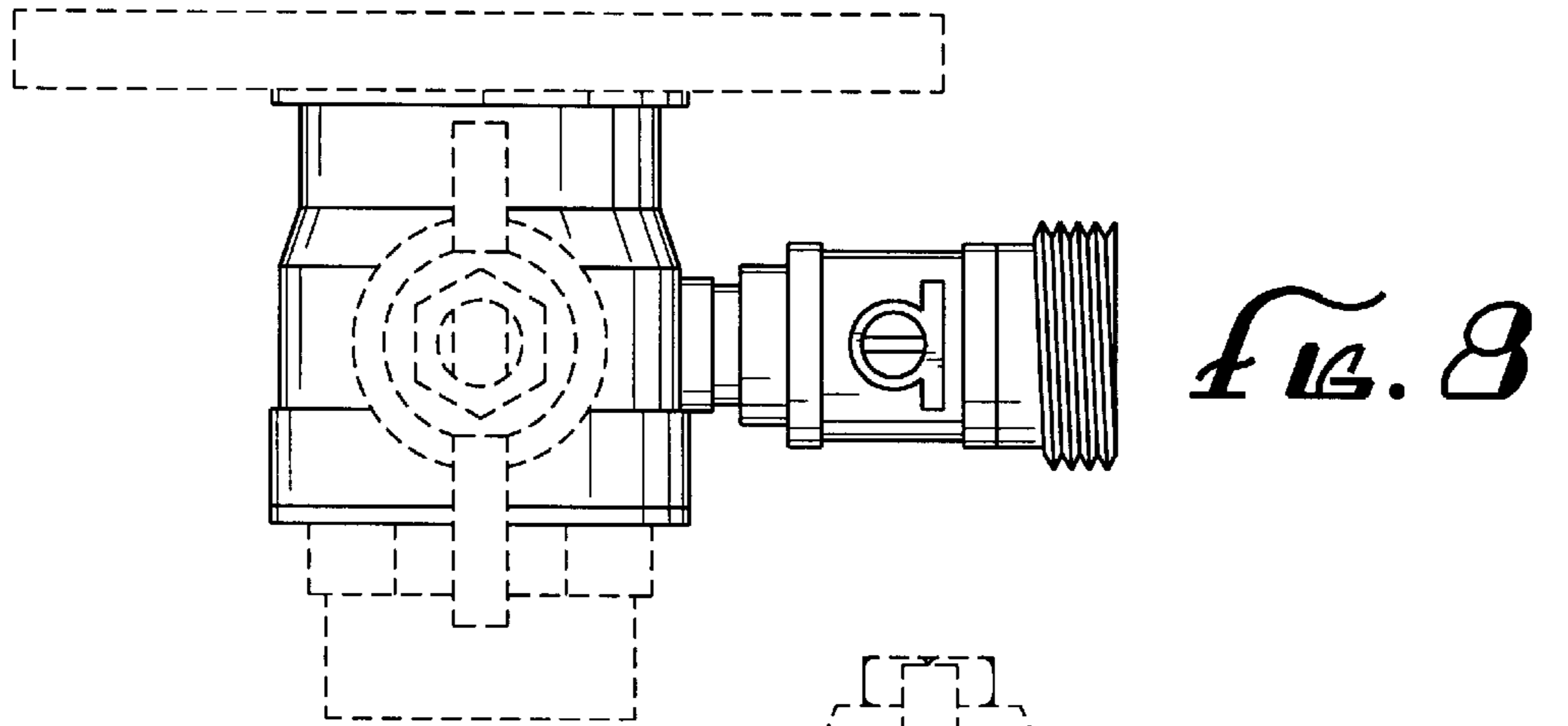


Fig. 8

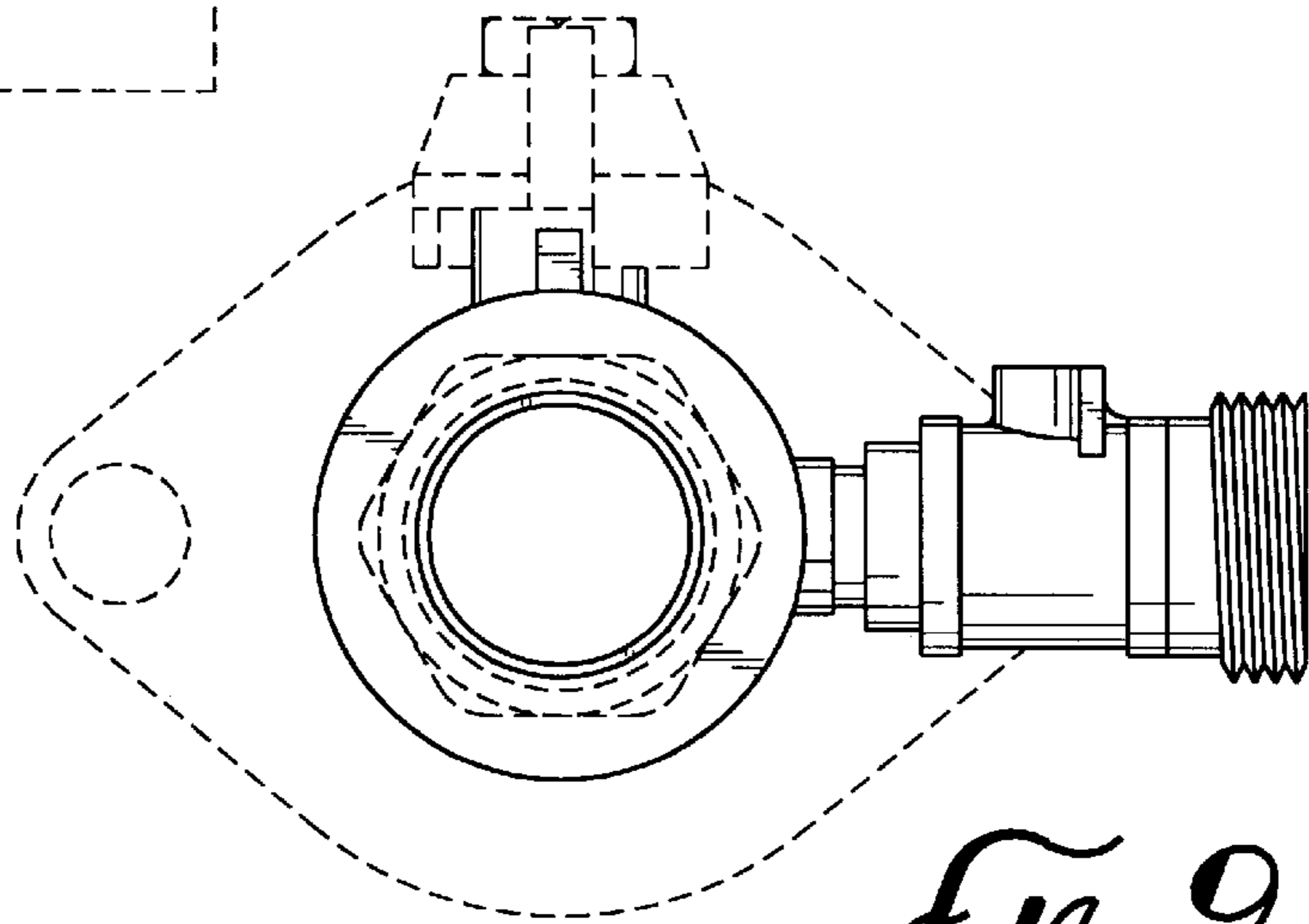


Fig. 9

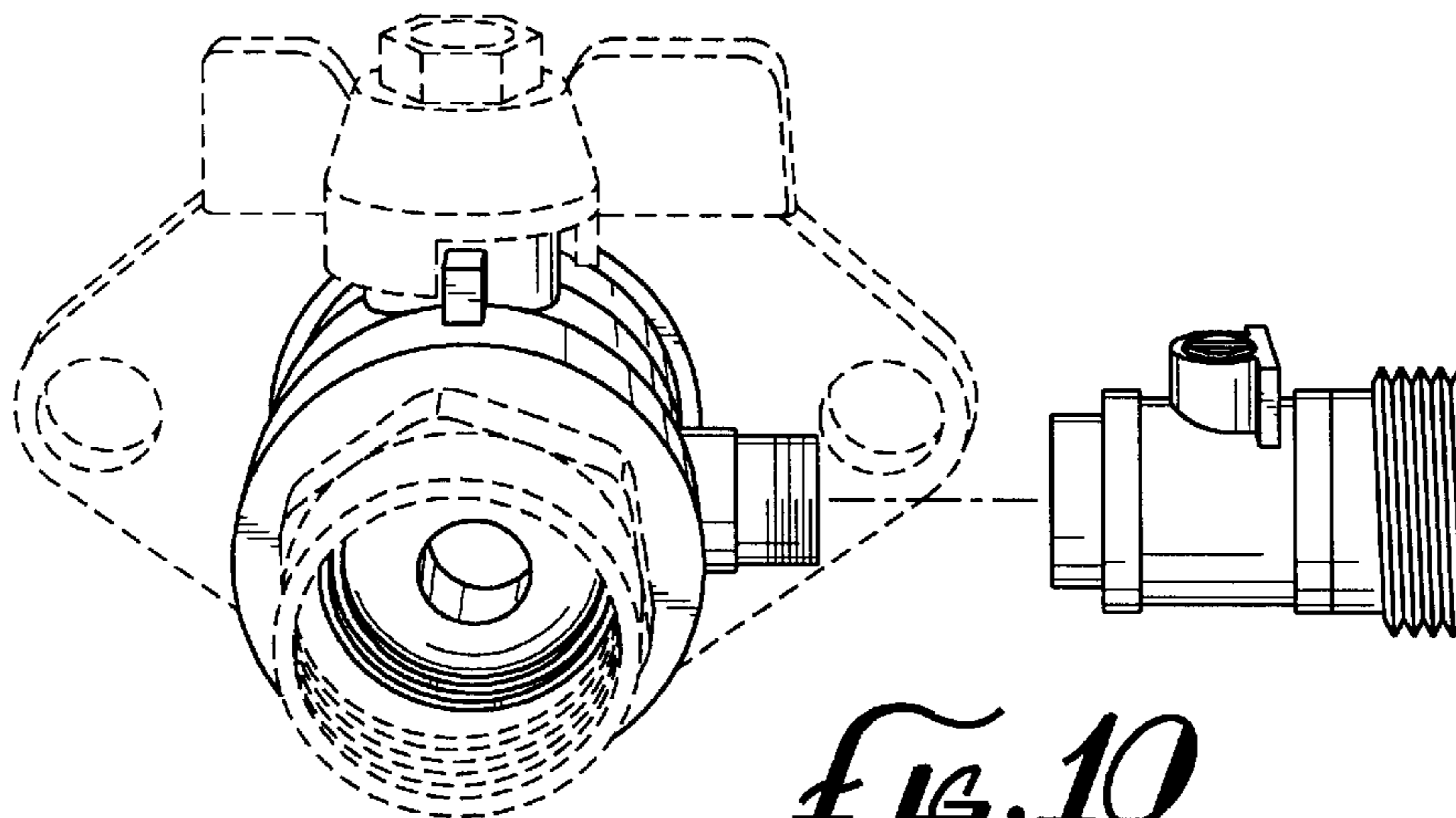


Fig. 10