



US00D490134S

(12) **United States Design Patent**
Peterson

(10) **Patent No.: US D490,134 S**

(45) **Date of Patent: ** *May 18, 2004**

(54) **INFLATABLE FLOAT**

(75) Inventor: **Leroy L. Peterson**, Omaha, NE (US)

(73) Assignee: **Sportsstuff, Inc.**, Omaha, NE (US)

(*) Notice: This patent is subject to a terminal disclaimer.

(**) Term: **14 Years**

(21) Appl. No.: **29/178,049**

(22) Filed: **Mar. 20, 2003**

(51) **LOC (7) Cl.** **21-02**

(52) **U.S. Cl.** **D21/803**

(58) **Field of Search** D21/801, 803,
D21/809, 810, 769, 770, 797; D12/316;
D6/604, 601, 596, 605, 335, 356, 361,
369, 375; 297/452.41; 441/35, 40-43, 66,
67, 88, 129-132; 114/345, 346, 253; 472/128,
129

(56) **References Cited**

U.S. PATENT DOCUMENTS

- D148,666 S * 2/1948 Vincent, Jr. D6/361
- 2,803,839 A * 8/1957 Mosley 441/131
- D187,313 S * 2/1960 Denyer D21/803
- 3,653,084 A * 4/1972 Hartman 441/40

- D253,801 S * 1/1980 Beall D6/381
- D258,028 S * 1/1981 Dessert D6/334
- 4,905,332 A * 3/1990 Wang 5/655.3
- D308,403 S * 6/1990 LaForce, Jr. D21/809
- 5,020,168 A * 6/1991 Wood 4/573.1
- 5,219,307 A * 6/1993 Morrison 441/38
- 5,476,404 A * 12/1995 Price 441/131
- 6,102,759 A * 8/2000 Klimenko 441/40
- D433,826 S * 11/2000 Linder D6/335

* cited by examiner

Primary Examiner—Lucy Lieberman

(74) *Attorney, Agent, or Firm*—Sturm & Fix LLP

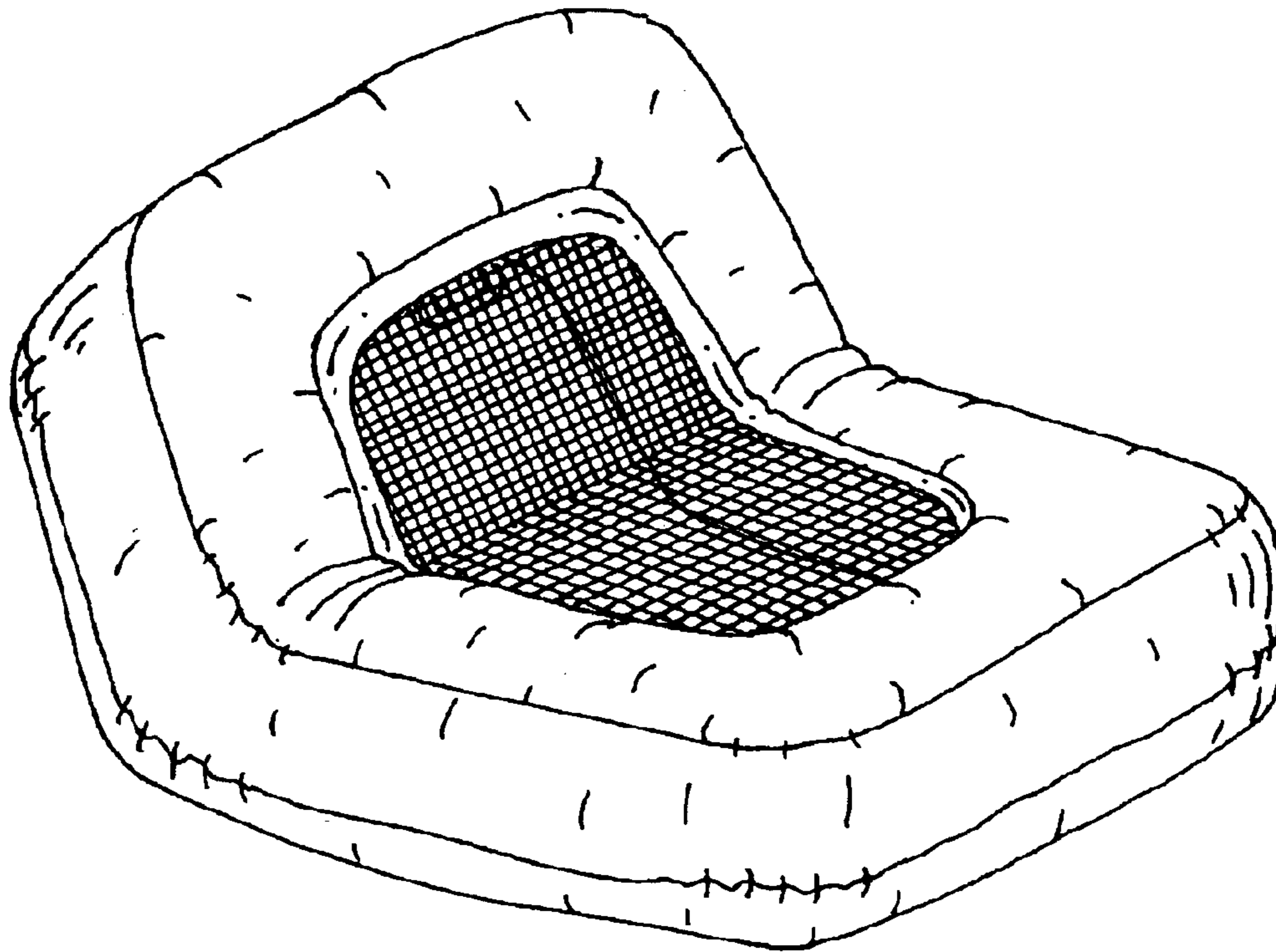
(57) **CLAIM**

The ornamental design for an inflatable float, as shown and described.

DESCRIPTION

FIG. 1 is a perspective view of the inflatable float showing my new design;
 FIG. 2 is a left side elevation of the inflatable float, the right side elevation is a mirror image thereto;
 FIG. 3 is a front elevational view thereof;
 FIG. 4 is a top plan view thereof;
 FIG. 5 is a bottom plan view thereof; and,
 FIG. 6 is a rear elevational view thereof.

1 Claim, 2 Drawing Sheets



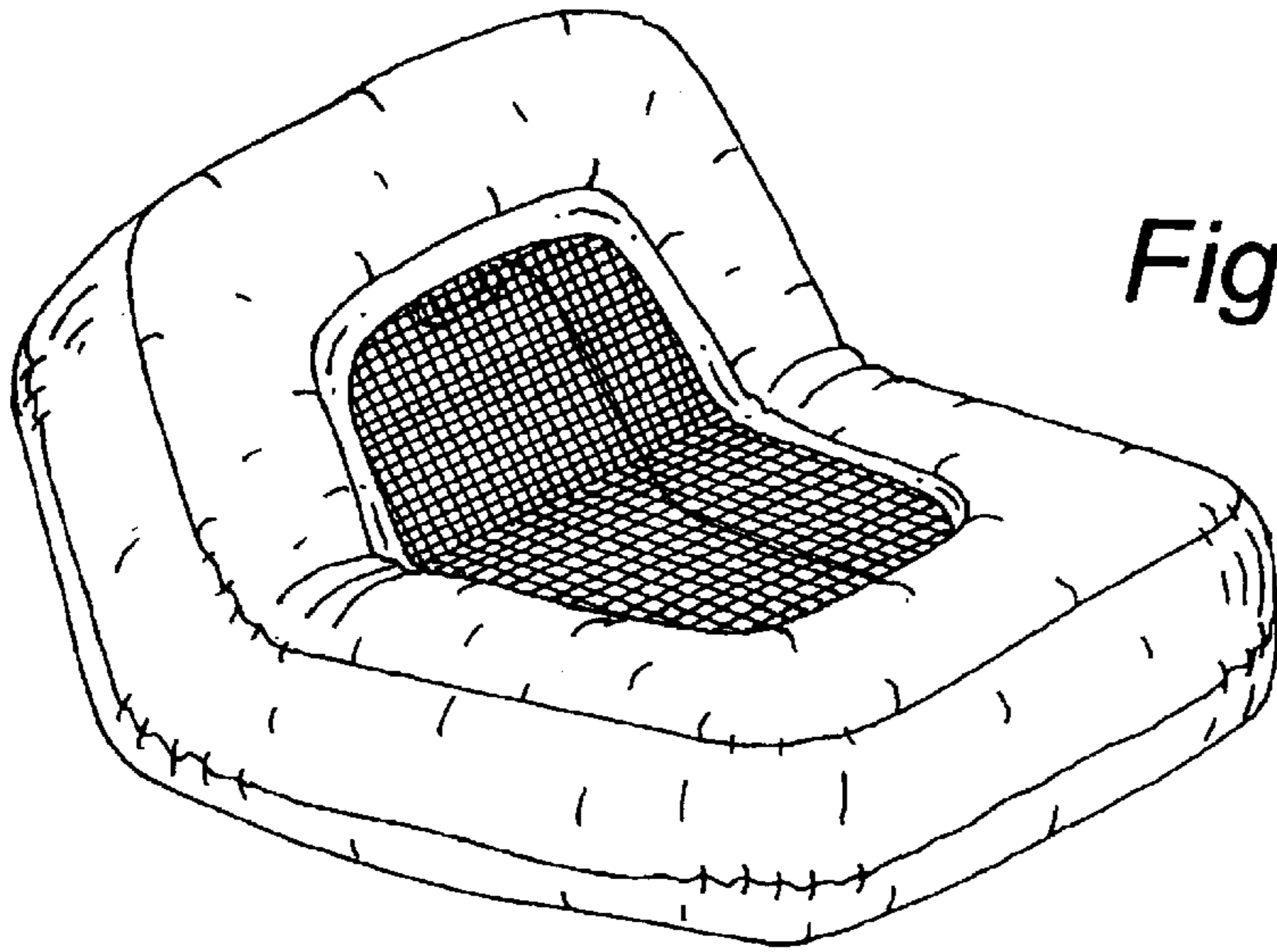


Fig. 1

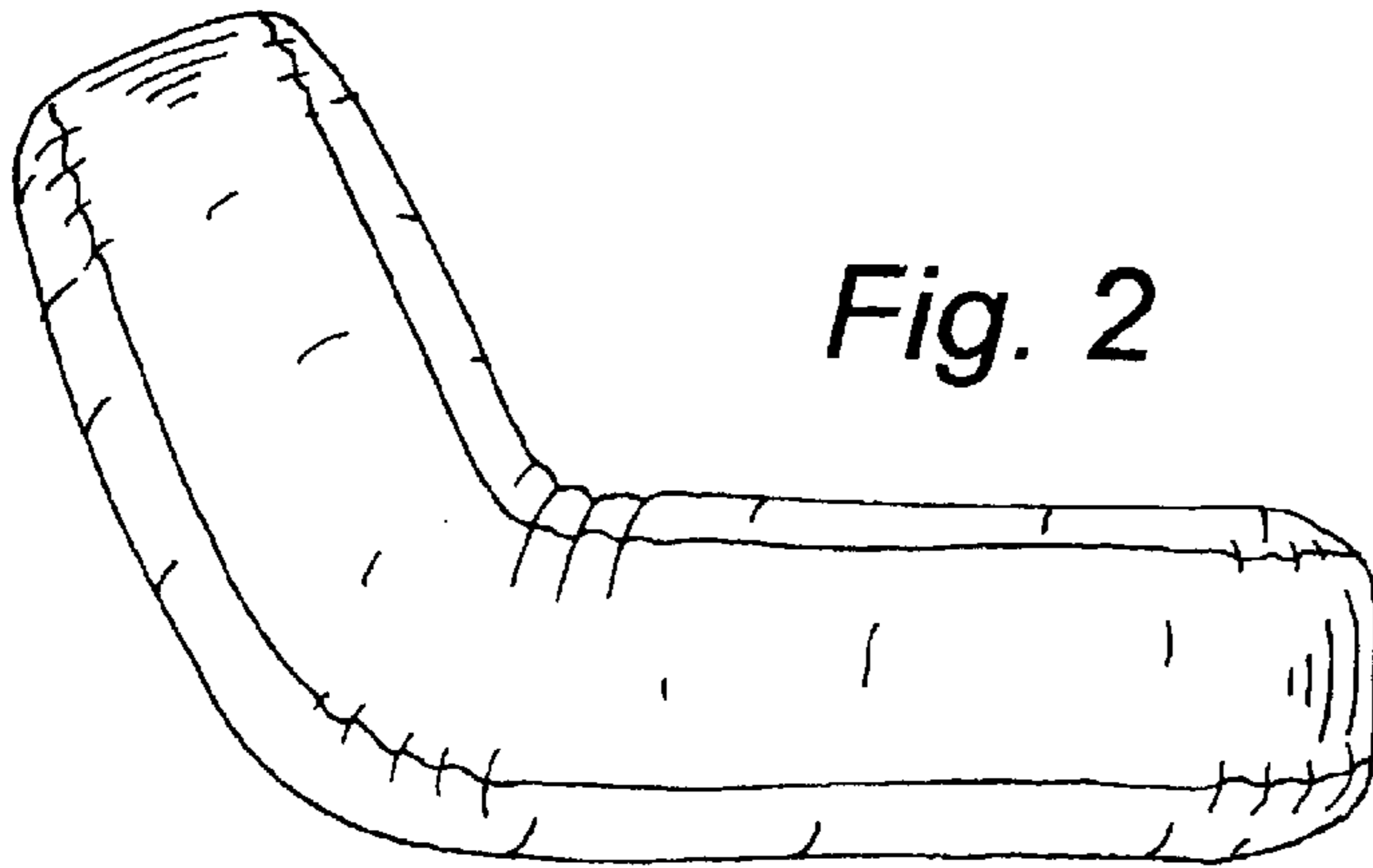


Fig. 2

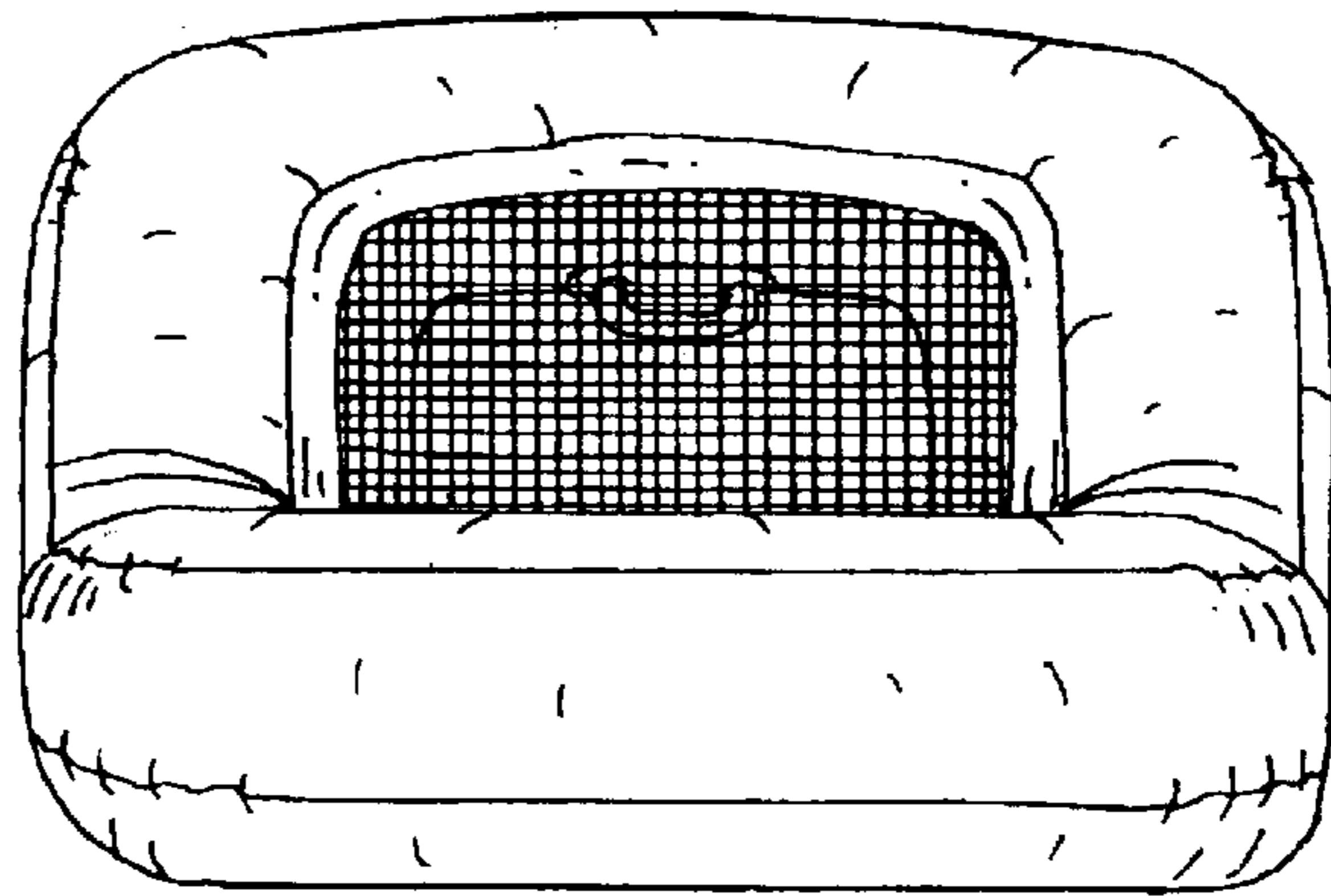


Fig. 3

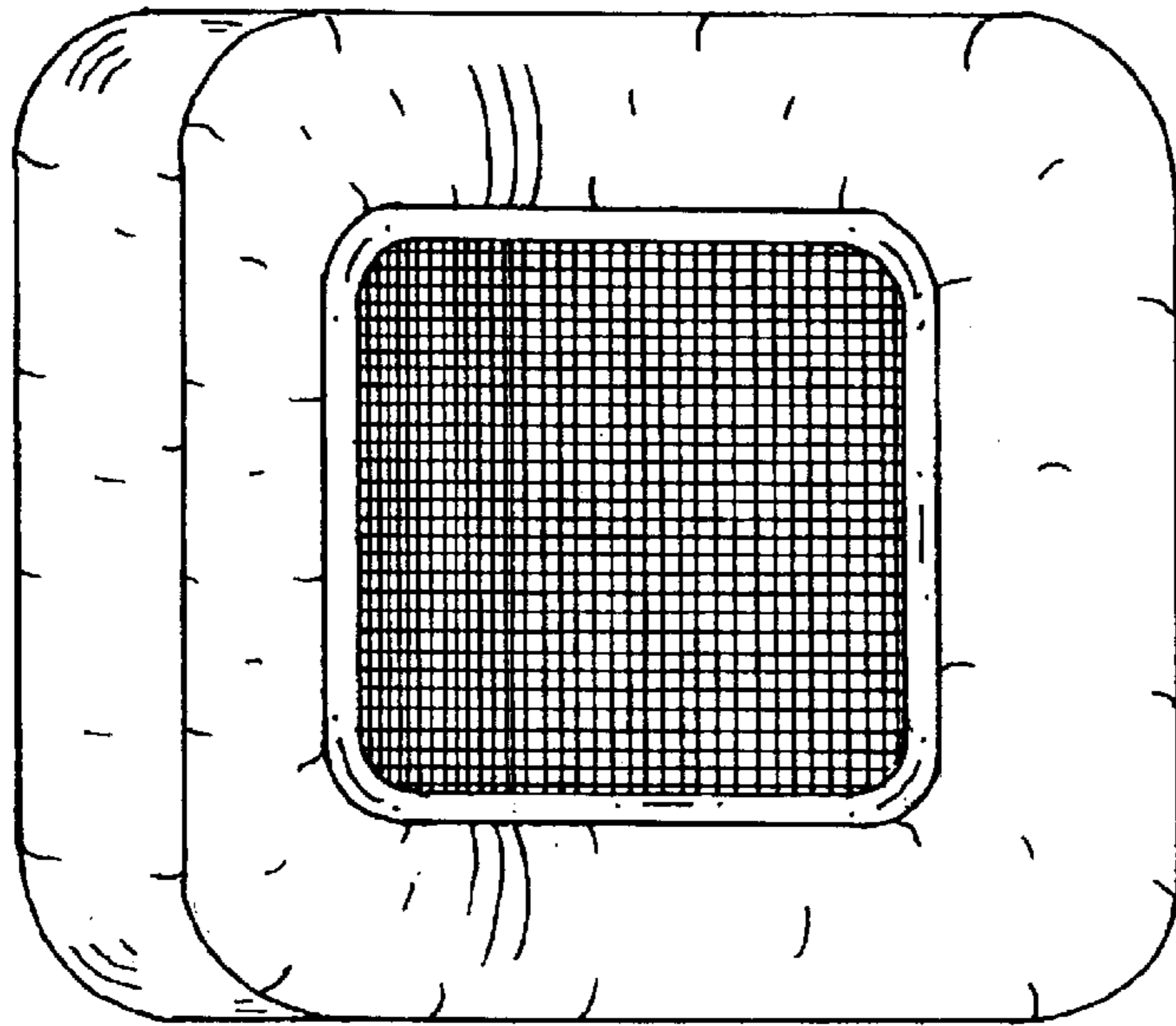


Fig. 4

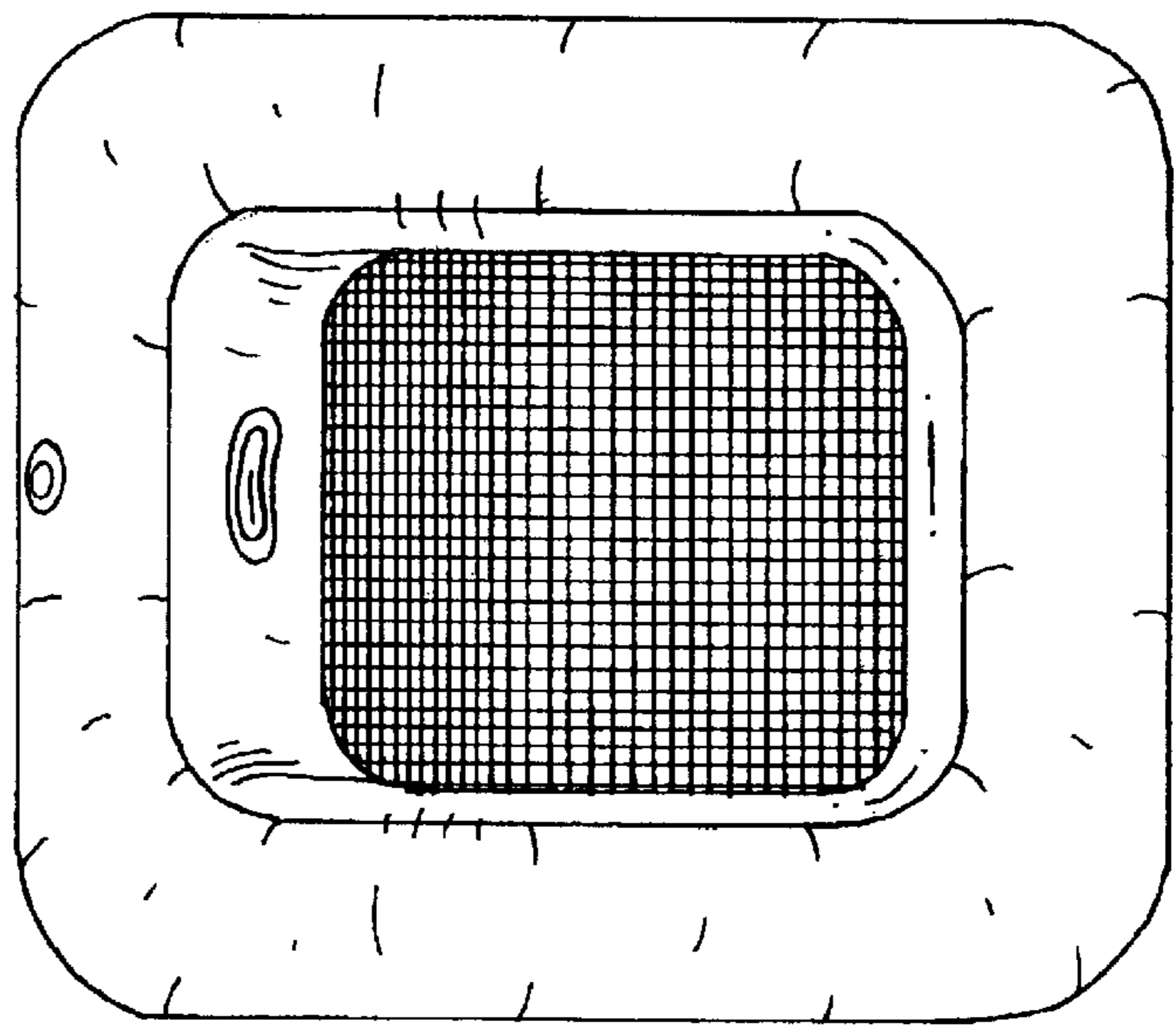


Fig. 5

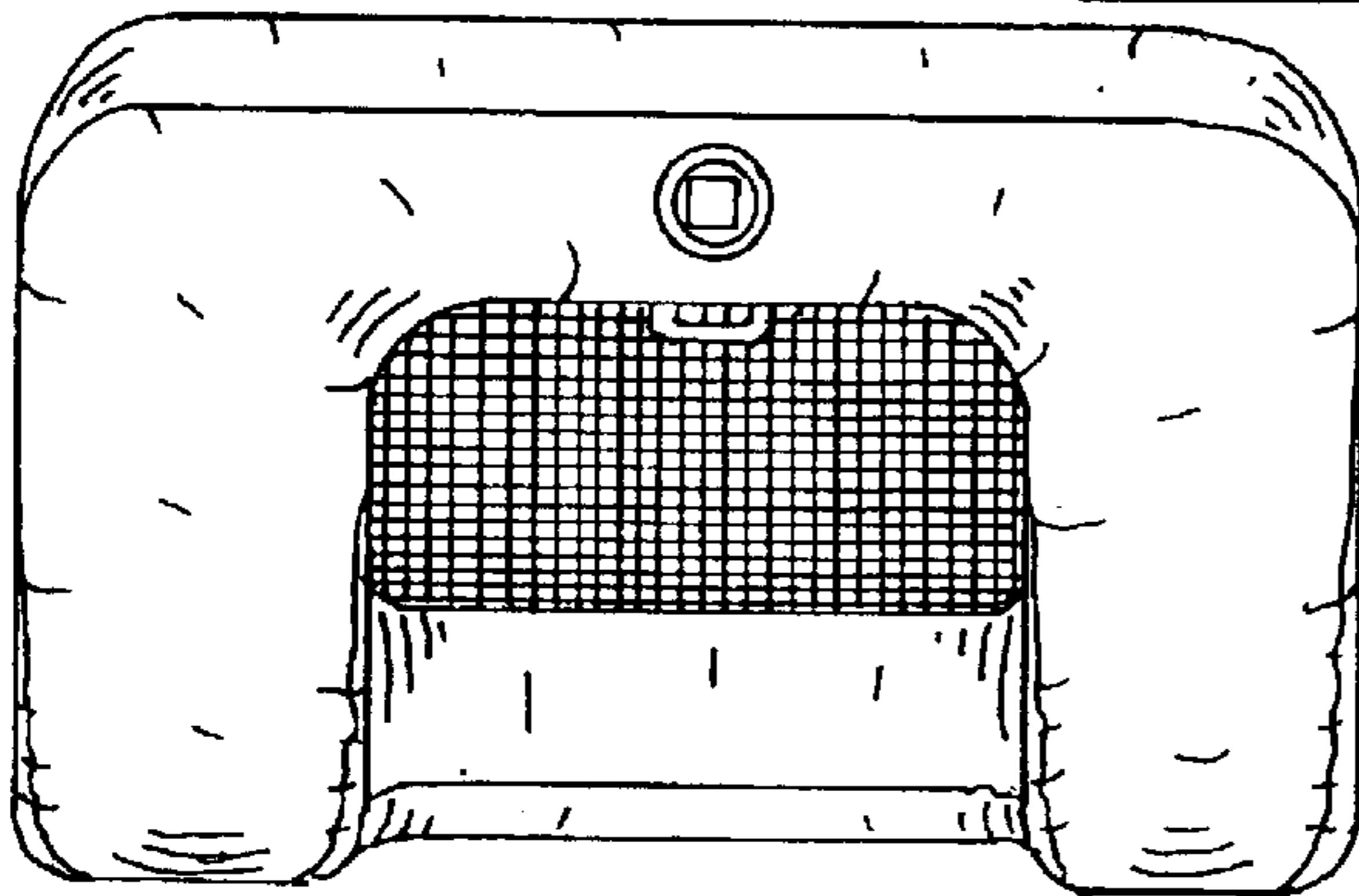


Fig. 6