



US00D490133S

(12) **United States Design Patent**  
**Hadala**

(10) **Patent No.:** **US D490,133 S**

(45) **Date of Patent:** **\*\* May 18, 2004**

(54) **CLIP-ON GOLF SWING ALIGNMENT INDICATOR**

(76) **Inventor:** **Anthony J. Hadala**, 7914 N. Gannett Rd., Sagamore Hills, OH (US) 44067

(\*\*) **Term:** **14 Years**

(21) **Appl. No.:** **29/177,040**

(22) **Filed:** **Mar. 4, 2003**

(51) **LOC (7) Cl.** ..... **21-02**

(52) **U.S. Cl.** ..... **D21/791; D21/717**

(58) **Field of Search** ..... D21/789, 717,  
D21/718, 794, 791; 473/261, 279, 257,  
396

(56) **References Cited**

**U.S. PATENT DOCUMENTS**

1,596,110	A	8/1926	Lynch	
1,670,123	A	5/1928	Ranseen	
2,128,049	A	8/1938	Karkoska	
D158,622	S	* 5/1950	Sherman	..... D21/791
D161,283	S	12/1950	Rogers	
3,347,551	A	* 10/1967	Dreyfus	..... 473/257
3,883,144	A	5/1975	Lazow	
4,128,245	A	12/1978	Vlach	
4,181,300	A	1/1980	Bradley	
4,181,311	A	1/1980	Lawlor	
4,669,725	A	6/1987	Taylor	
D293,261	S	* 12/1987	Sadowski	..... D21/794
D307,929	S	5/1990	Parkerson	
5,240,254	A	8/1993	Adlam	
D339,840	S	* 9/1993	Coconate	..... D21/717

D347,457	S	* 5/1994	Armstrong, III	..... D21/791
5,437,448	A	8/1995	Balson	
5,492,330	A	2/1996	Eldridge, Jr. et al.	
D385,939	S	* 11/1997	Suk	..... D21/794
D399,896	S	10/1998	Plain	
5,820,493	A	10/1998	Price, Jr.	
D411,276	S	* 6/1999	Rosenfeld	..... D21/789
D439,944	S	4/2001	Graham	
D488,954		8/2001	Tcte	
6,514,151	B2	2/2003	Delaplane	

\* cited by examiner

*Primary Examiner*—Mitchell Siegel

(74) *Attorney, Agent, or Firm*—Fay, Sharpe, Fagan, Minnich & McKee

(57) **CLAIM**

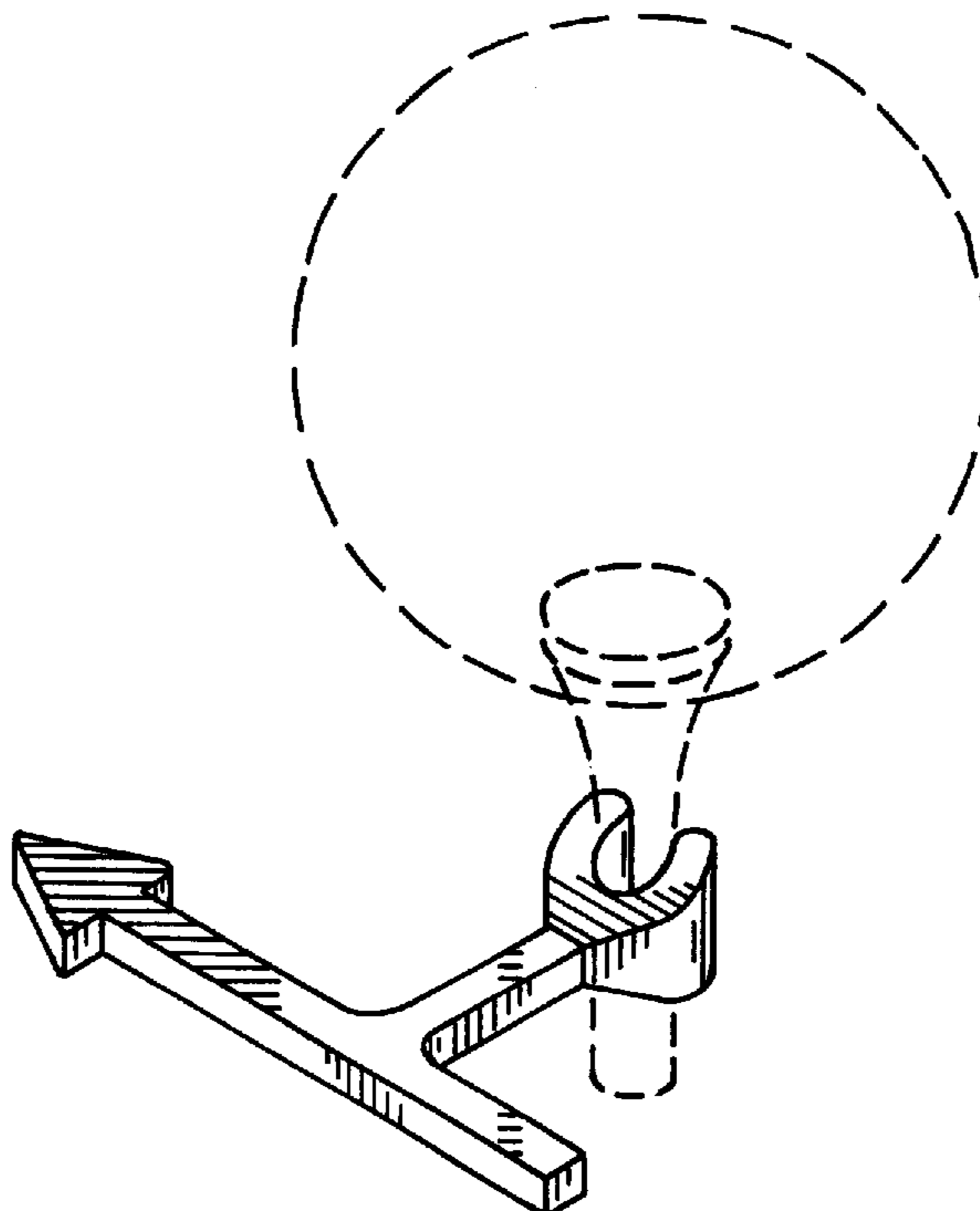
The ornamental design for a clip-on golf swing alignment indicator, as shown and described.

**DESCRIPTION**

FIG. 1 is a perspective view of a clip-on golf swing alignment indicator for a golf tee showing my new design; FIG. 2 is a top view thereof; FIG. 3 is a left side elevational view thereof; FIG. 4 is a front side elevational view thereof; FIG. 5 is a right side elevational view thereof; and, FIG. 6 is a rear elevational view thereof.

The golf ball and golf tee are shown in broken lines for illustrative purposes only and forms no part of the claimed design.

**1 Claim, 2 Drawing Sheets**



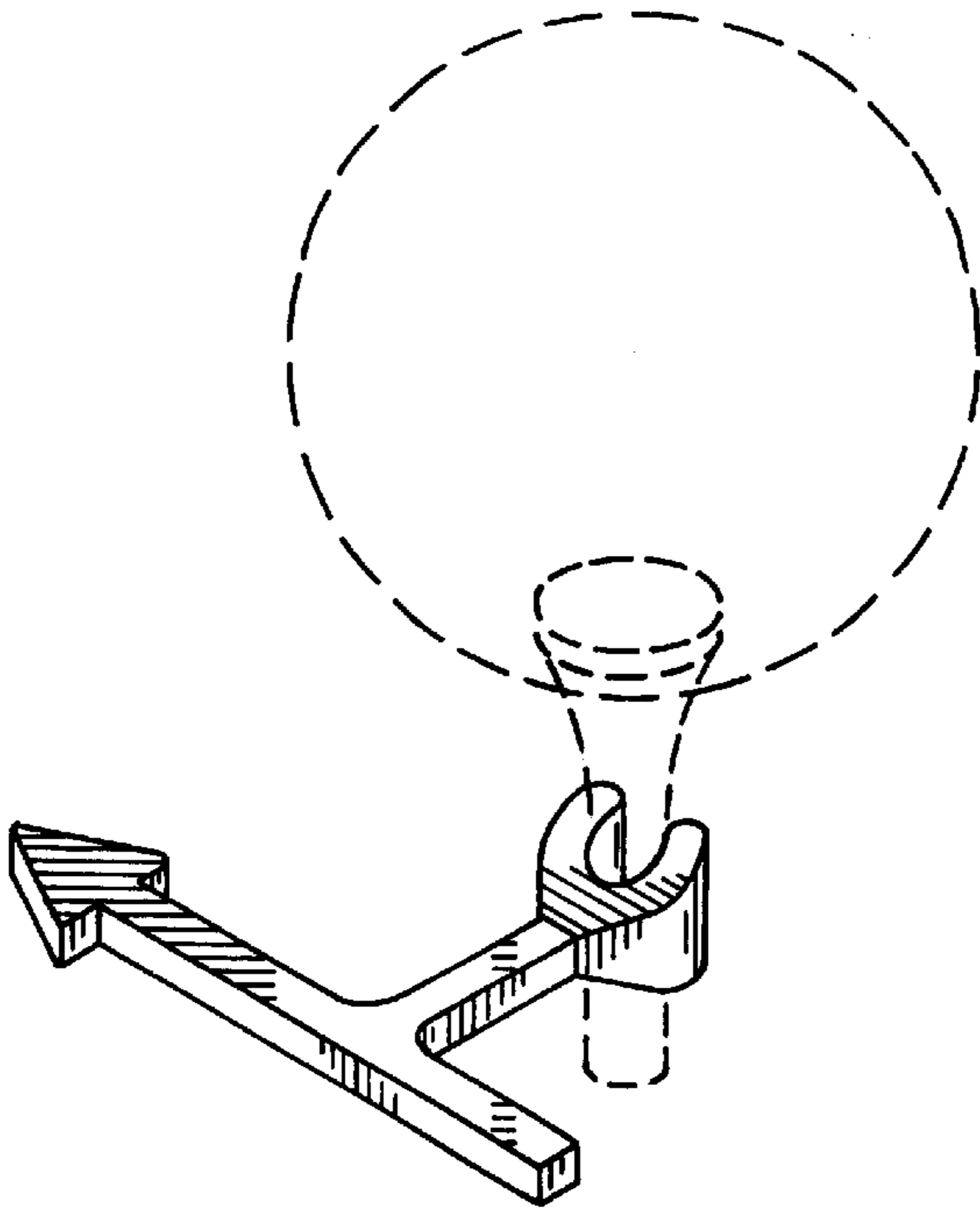


FIG. 1

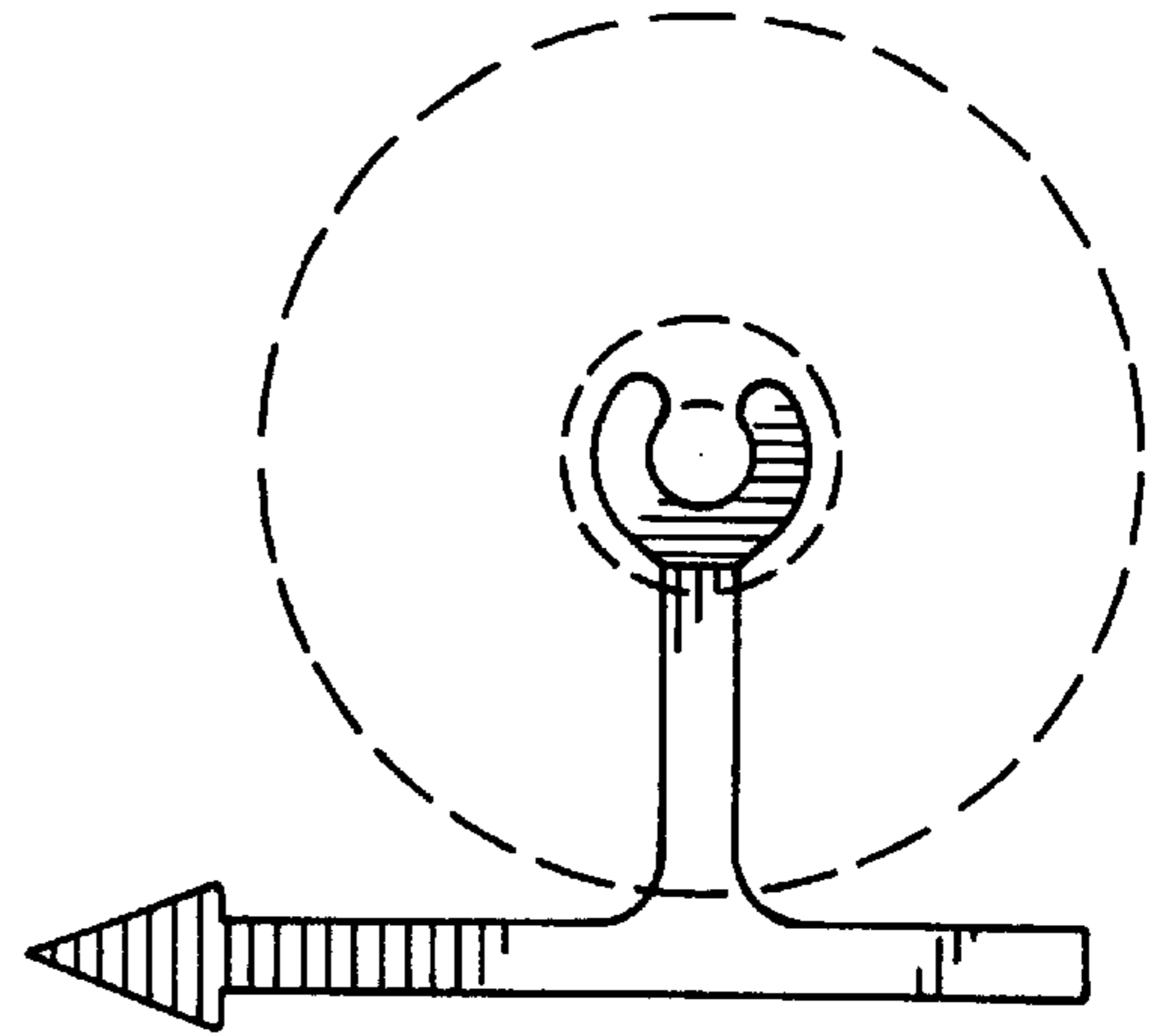


FIG. 2

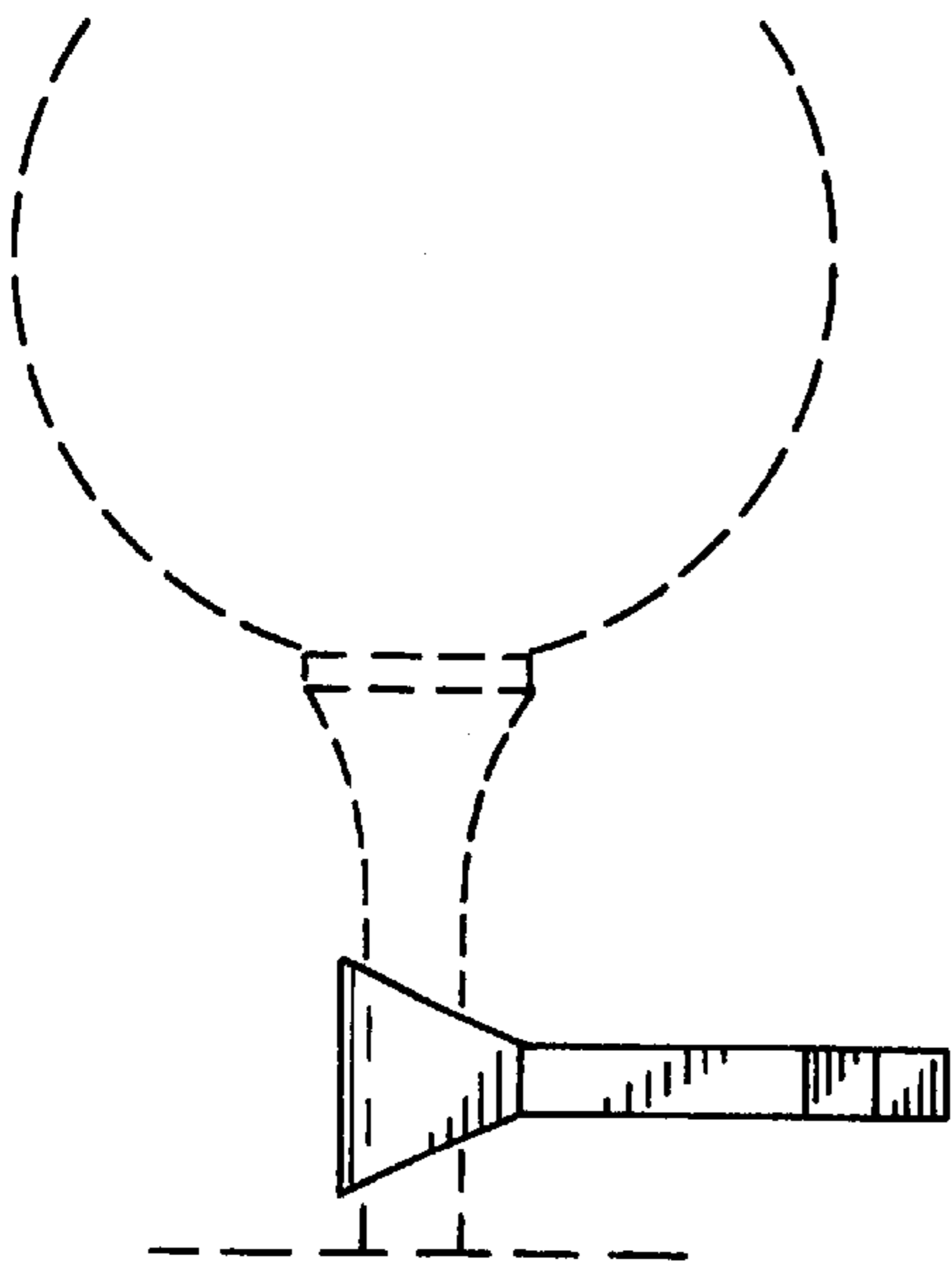


FIG. 3

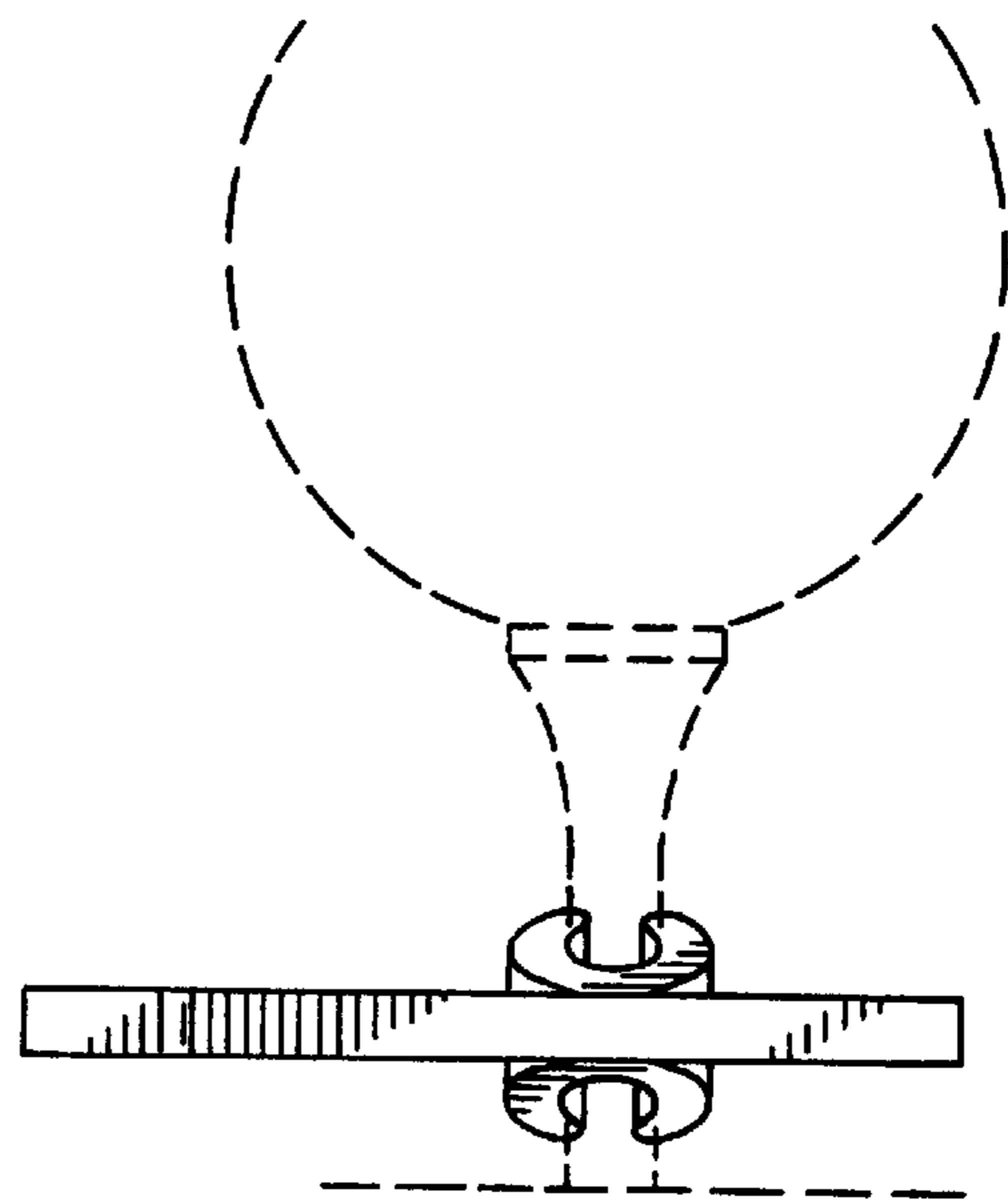


FIG. 4

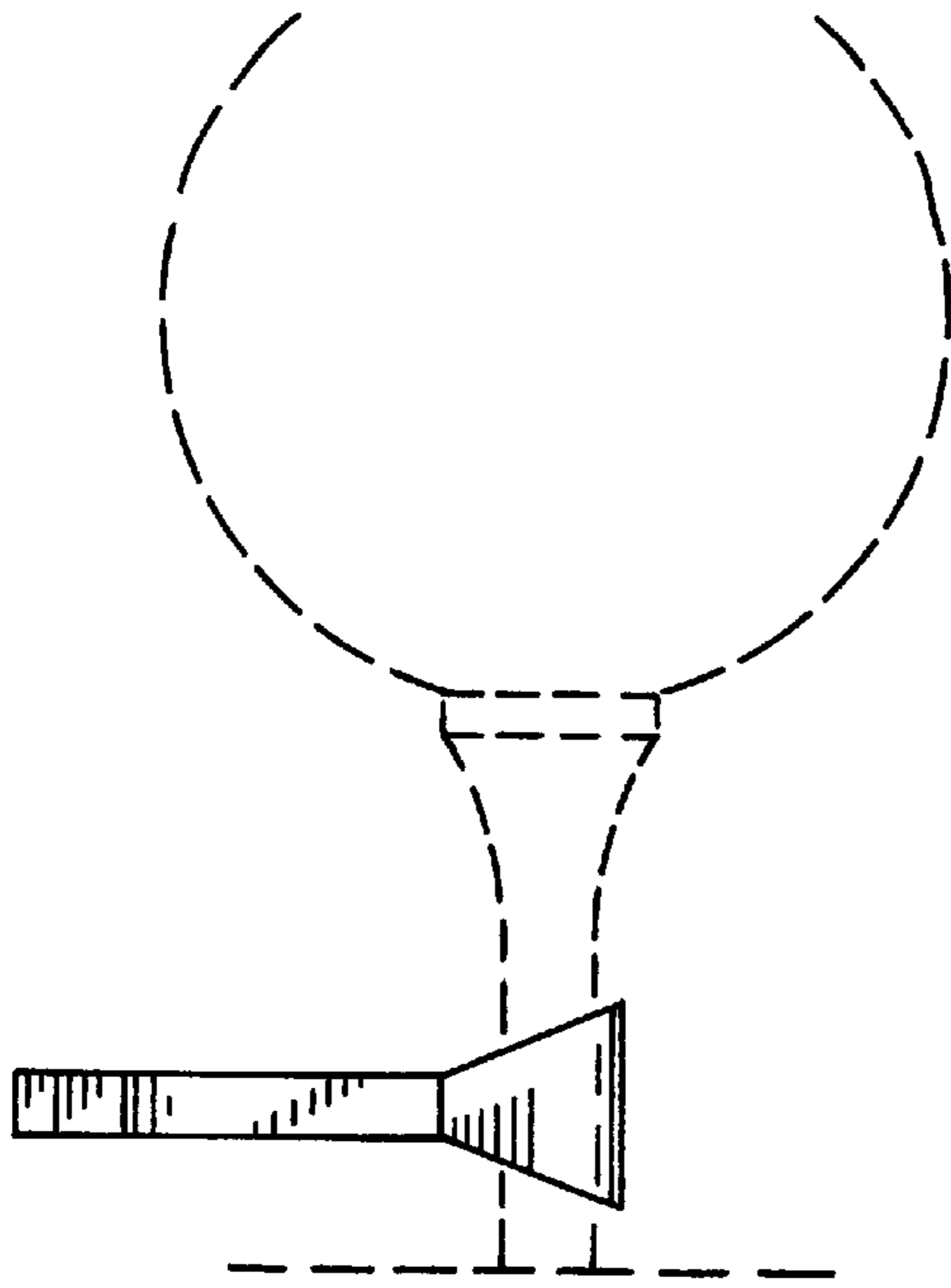


FIG. 5

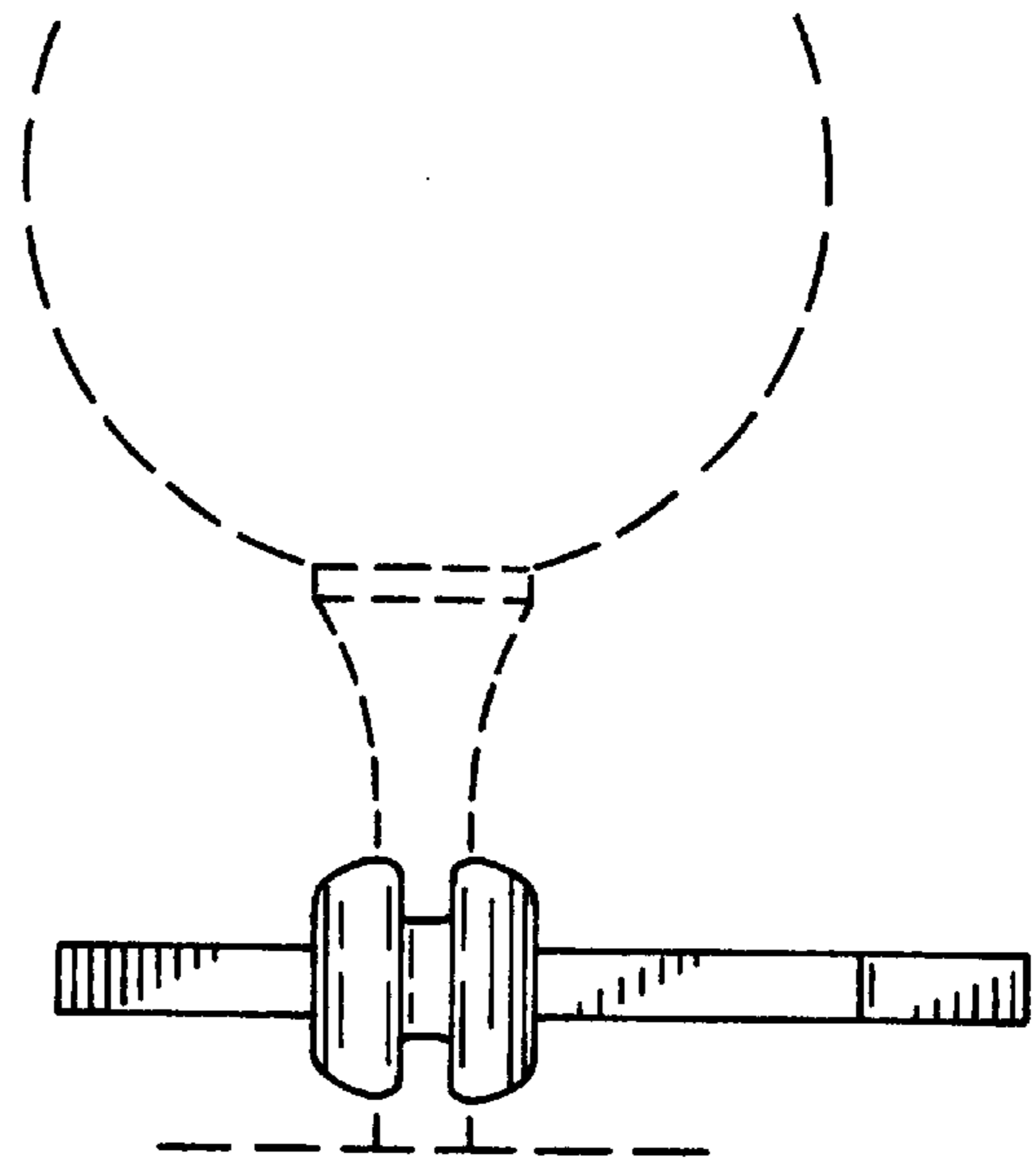


FIG. 6