



US00D490132S

(12) **United States Design Patent**  
**Carattini**

(10) **Patent No.:** **US D490,132 S**

(45) **Date of Patent:** **\*\* May 18, 2004**

(54) **POOL TABLE AND AQUARIUM COMBINATION**

(76) **Inventor:** **Abraham Carattini**, 1035 S. Hollenbeck, West Covina, CA (US) 91791

(\*\*) **Term:** **14 Years**

(21) **Appl. No.:** **29/190,568**

(22) **Filed:** **Sep. 22, 2003**

**Related U.S. Application Data**

(62) Division of application No. 29/166,786, filed on Sep. 3, 2002, now Pat. No. Des. 479,869.

(51) **LOC (7) Cl.** ..... **06-03**

(52) **U.S. Cl.** ..... **D21/783**

(58) **Field of Search** ..... D21/782-784;  
D6/422, 423, 428, 48, 482, 495-496; 473/1,  
4, 6, 10, 29, 34; D30/101; 119/245, 246,  
247, 253

(56) **References Cited**

**U.S. PATENT DOCUMENTS**

95,765 A \* 10/1869 Brunswick ..... 473/10

D34,493 S \* 5/1901 Bartel ..... D21/784  
D66,386 S \* 1/1925 Trost ..... D21/783  
1,656,416 A \* 1/1928 Brinkman ..... 473/22  
D87,535 S \* 8/1932 Matterson ..... D21/784  
D197,722 S \* 3/1964 Crawford ..... D6/482  
D338,939 S \* 8/1993 Gellerman ..... D21/784  
5,830,072 A \* 11/1998 D'Aguiar ..... 473/33

\* cited by examiner

*Primary Examiner*—Prabhakar Deshmukh

(74) *Attorney, Agent, or Firm*—Boniard Brown

(57) **CLAIM**

The ornamental design for a pool table and aquarium combination, as shown and described.

**DESCRIPTION**

FIG. 1 is a perspective view of a pool table and aquarium combination, showing my new design;

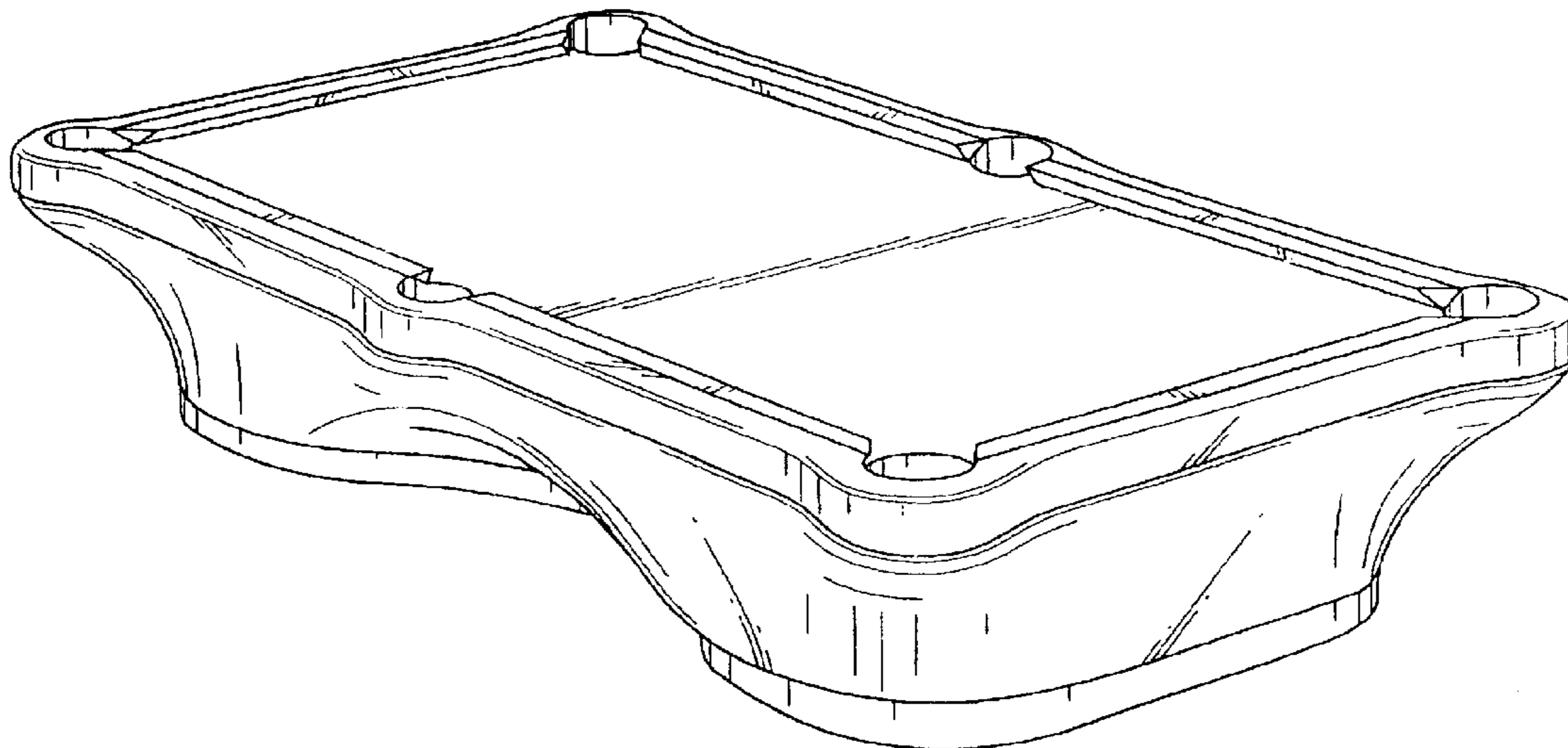
FIG. 2 is a side elevational view thereof, the opposite side being a mirror image;

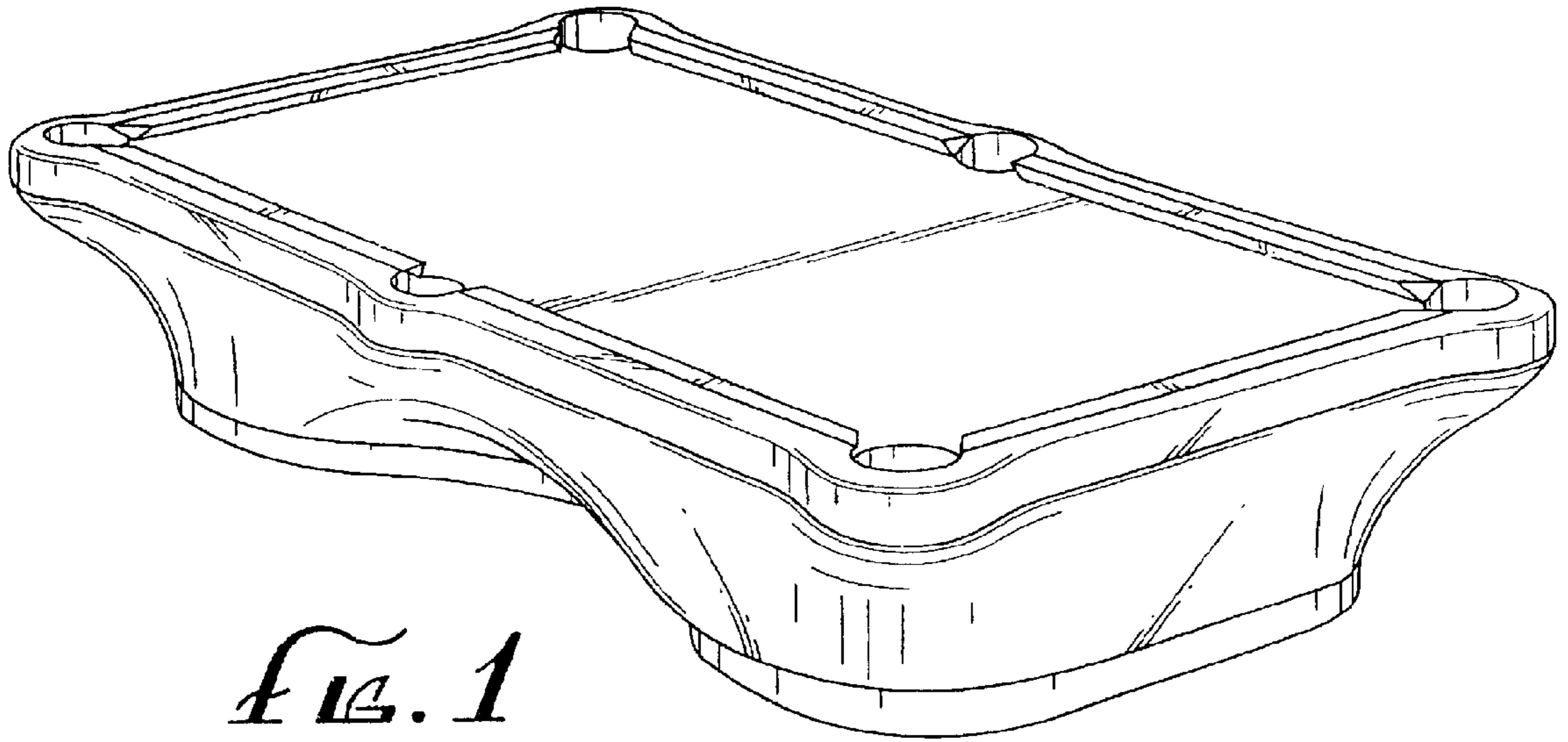
FIG. 3 is an end view thereof, the opposite side being a mirror image; and,

FIG. 4 is a top plan view thereof.

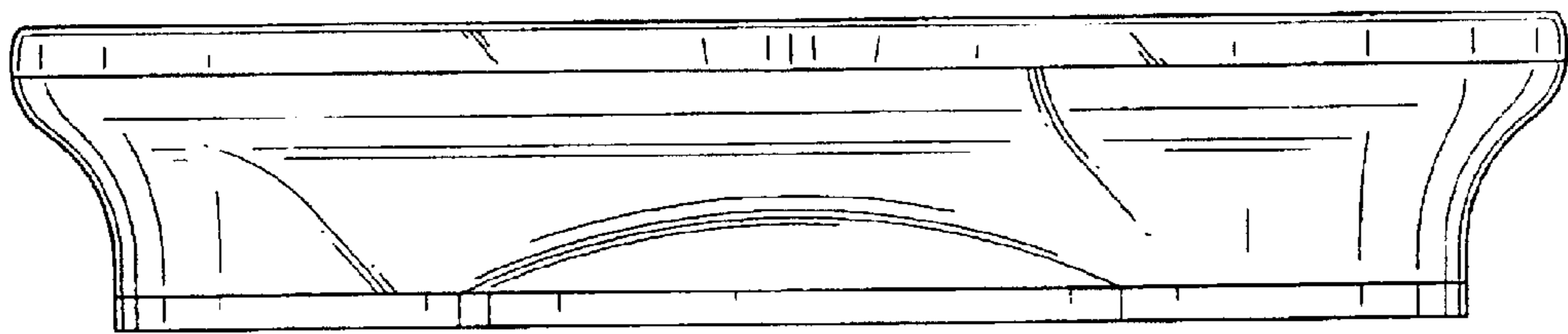
The bottom view is specifically disclaimed.

**1 Claim, 2 Drawing Sheets**

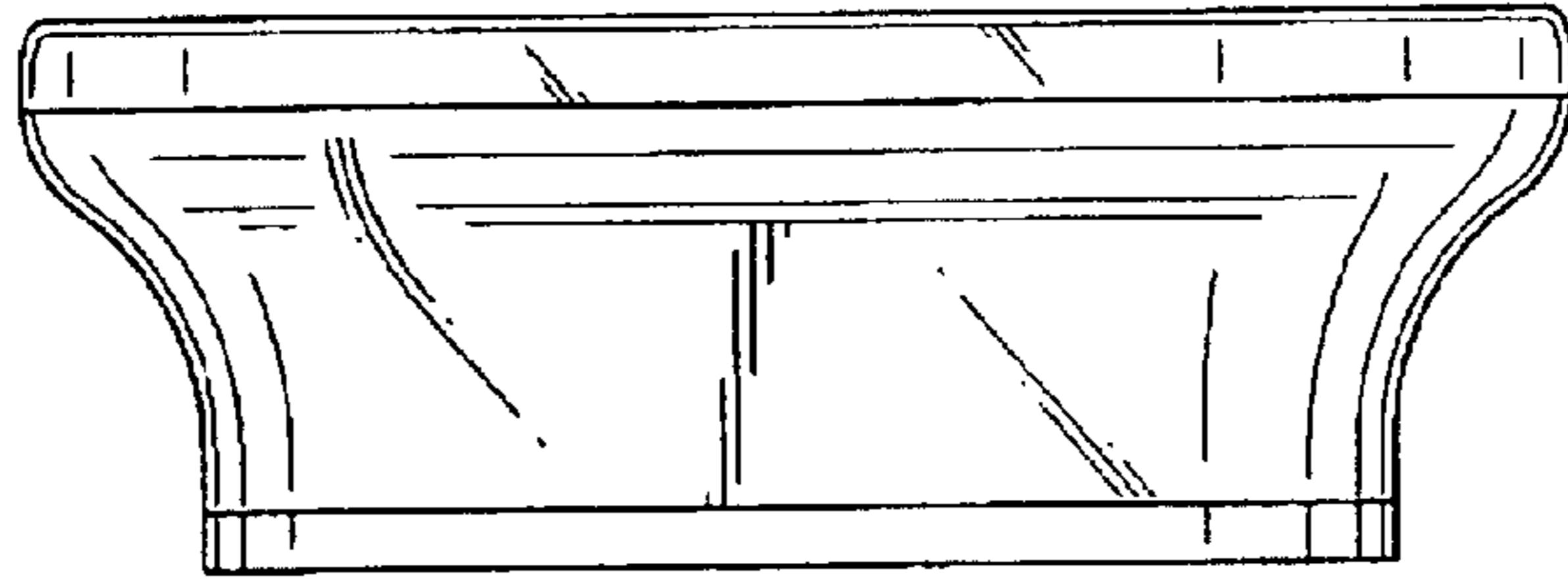




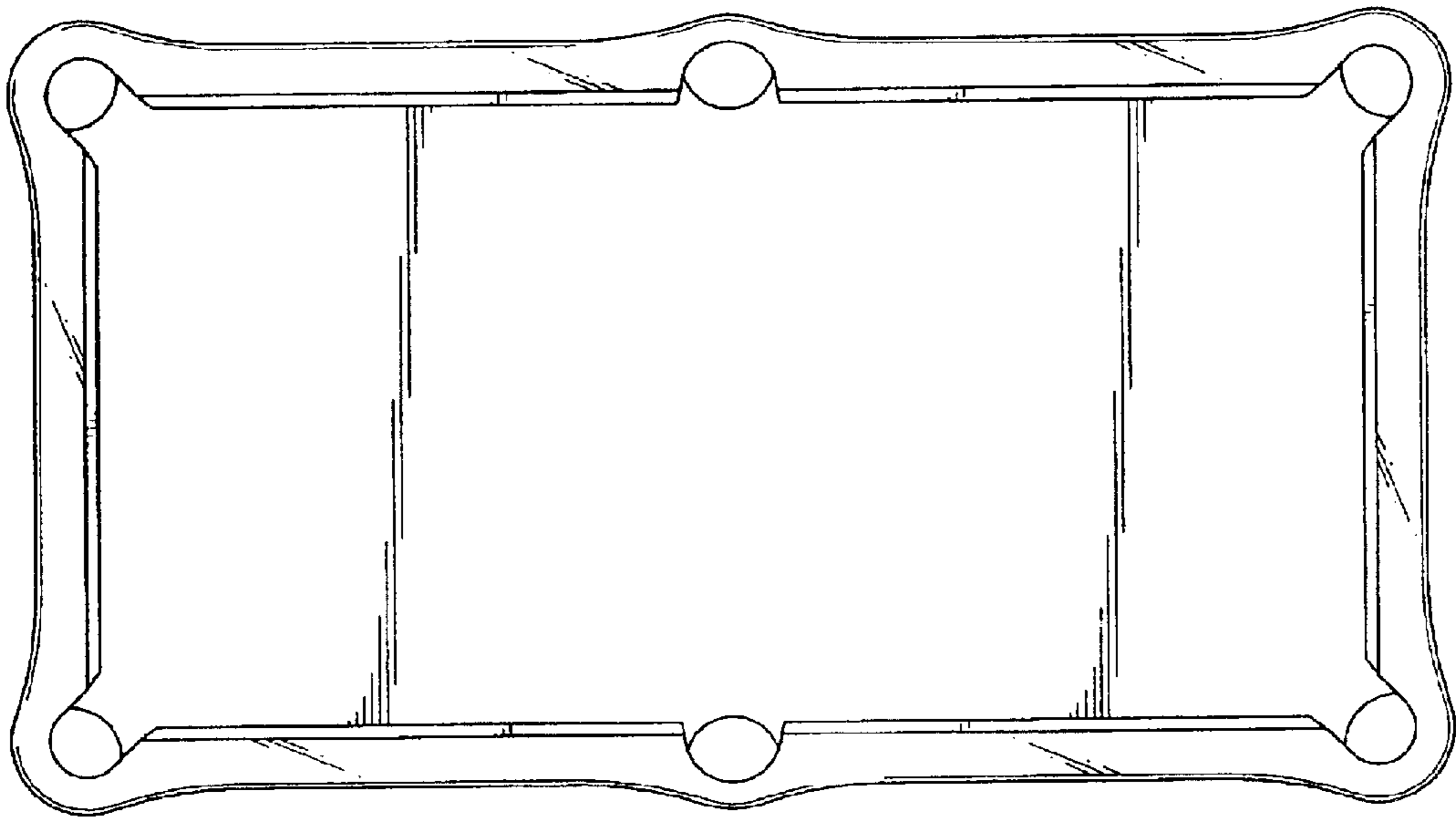
*FIG. 1*



*FIG. 2*



*FIG. 3*



*FIG. 4*