



US00D490128S

(12) **United States Design Patent**
Giannelli et al.

(10) **Patent No.:** **US D490,128 S**

(45) **Date of Patent:** **** May 18, 2004**

(54) **CALF RAISE EXERCISE MACHINE**

(75) **Inventors:** **Raymond Giannelli**, Franklin, MA (US); **Steven Charles Wencil**, Albert Lea, MN (US)

(73) **Assignee:** **Cybex International, Inc.**, Medway, MA (US)

(**) **Term:** **14 Years**

(21) **Appl. No.:** **29/176,508**

(22) **Filed:** **Feb. 21, 2003**

(51) **LOC (7) Cl.** **21-02**

(52) **U.S. Cl.** **D21/676; D21/675**

(58) **Field of Search** D21/673, 674, D21/675, 676; 482/94, 95, 96, 97, 98, 99, 100, 101, 102, 133

(56) **References Cited**

U.S. PATENT DOCUMENTS

- 4,511,137 A * 4/1985 Jones 482/100
- 5,354,248 A * 10/1994 Rawls et al. 482/6
- 5,366,432 A * 11/1994 Habing et al. 482/138

D355,684 S * 2/1995 Rawls et al. D21/676

5,409,440 A * 4/1995 Yang 482/138

5,616,107 A * 4/1997 Simonson 482/97

D431,615 S * 10/2000 Webber et al. D21/675

D438,918 S * 3/2001 Batca et al. D21/676

* cited by examiner

Primary Examiner—Philip S. Hyder

(74) *Attorney, Agent, or Firm*—Kudirka & Jobse, LLP

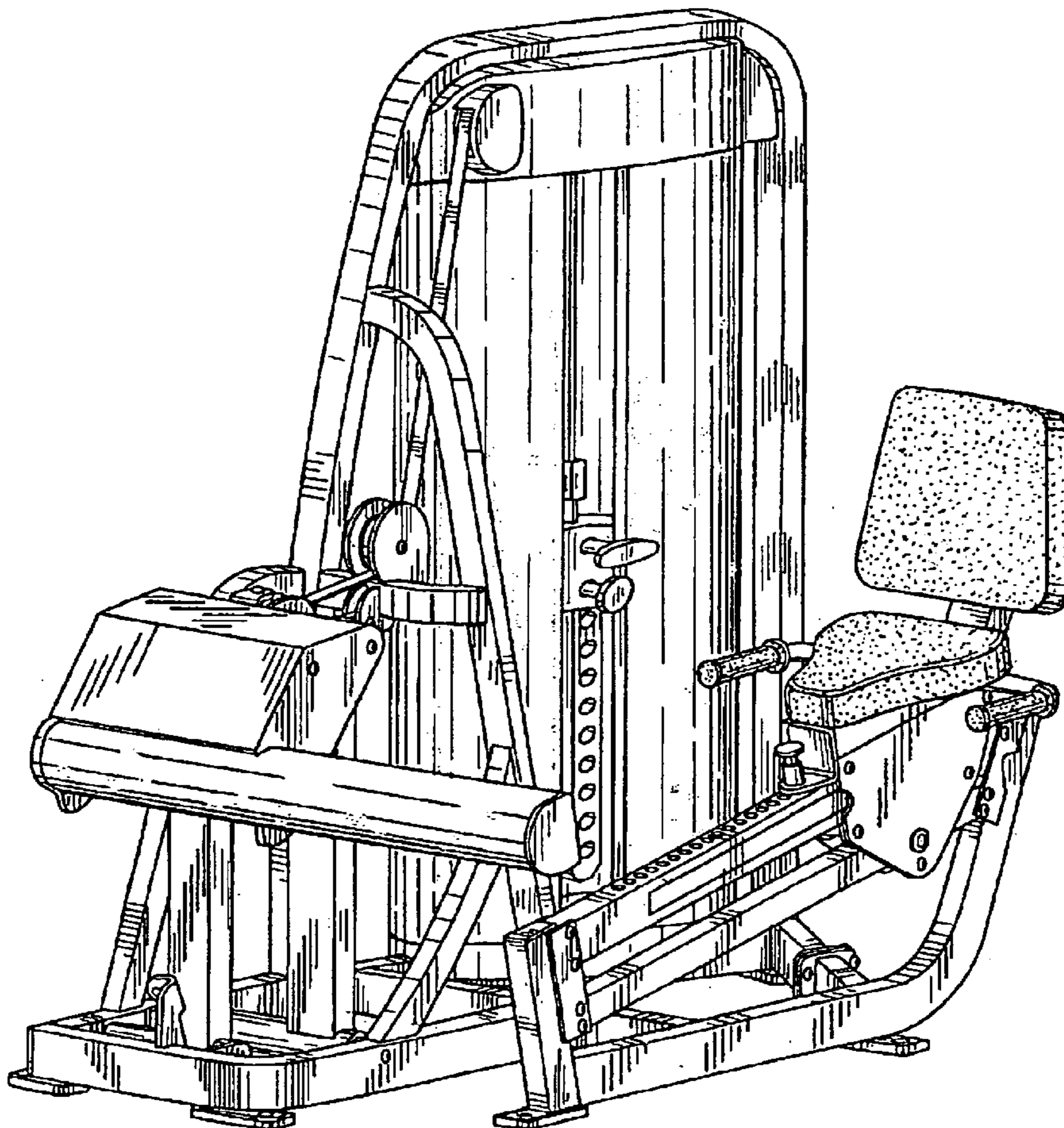
(57) **CLAIM**

The ornamental design for a calf raise exercise machine, as shown.

DESCRIPTION

FIG. 1 is front perspective view of the calf raise exercise machine of the present invention; FIG. 2 is a right side view thereof; FIG. 3 is a left side view thereof; FIG. 4 is a front view thereof; FIG. 5 is a rear view thereof; FIG. 6 is a top view thereof; and, FIG. 7 is a bottom view thereof.

1 Claim, 7 Drawing Sheets



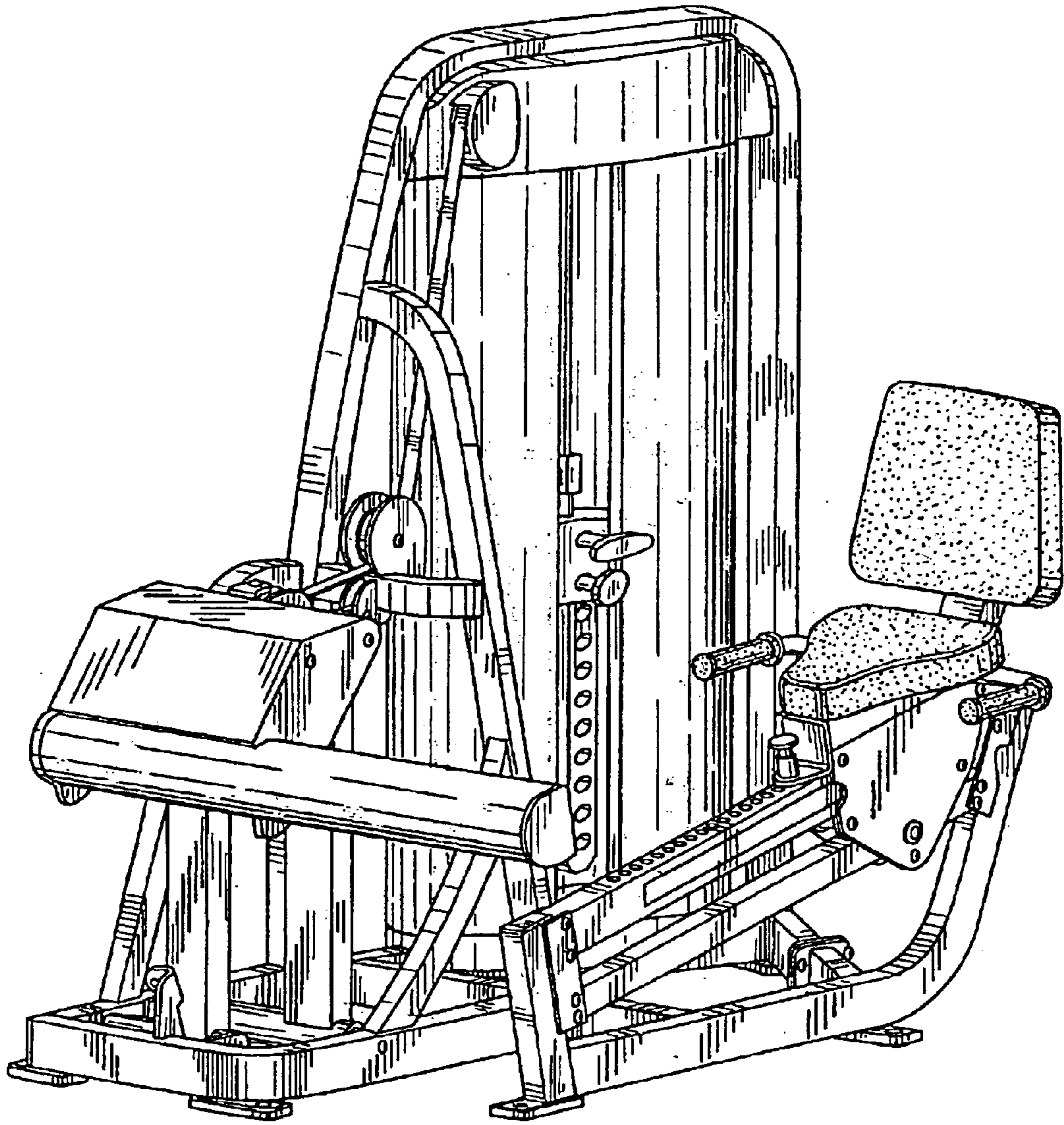


FIG. 1

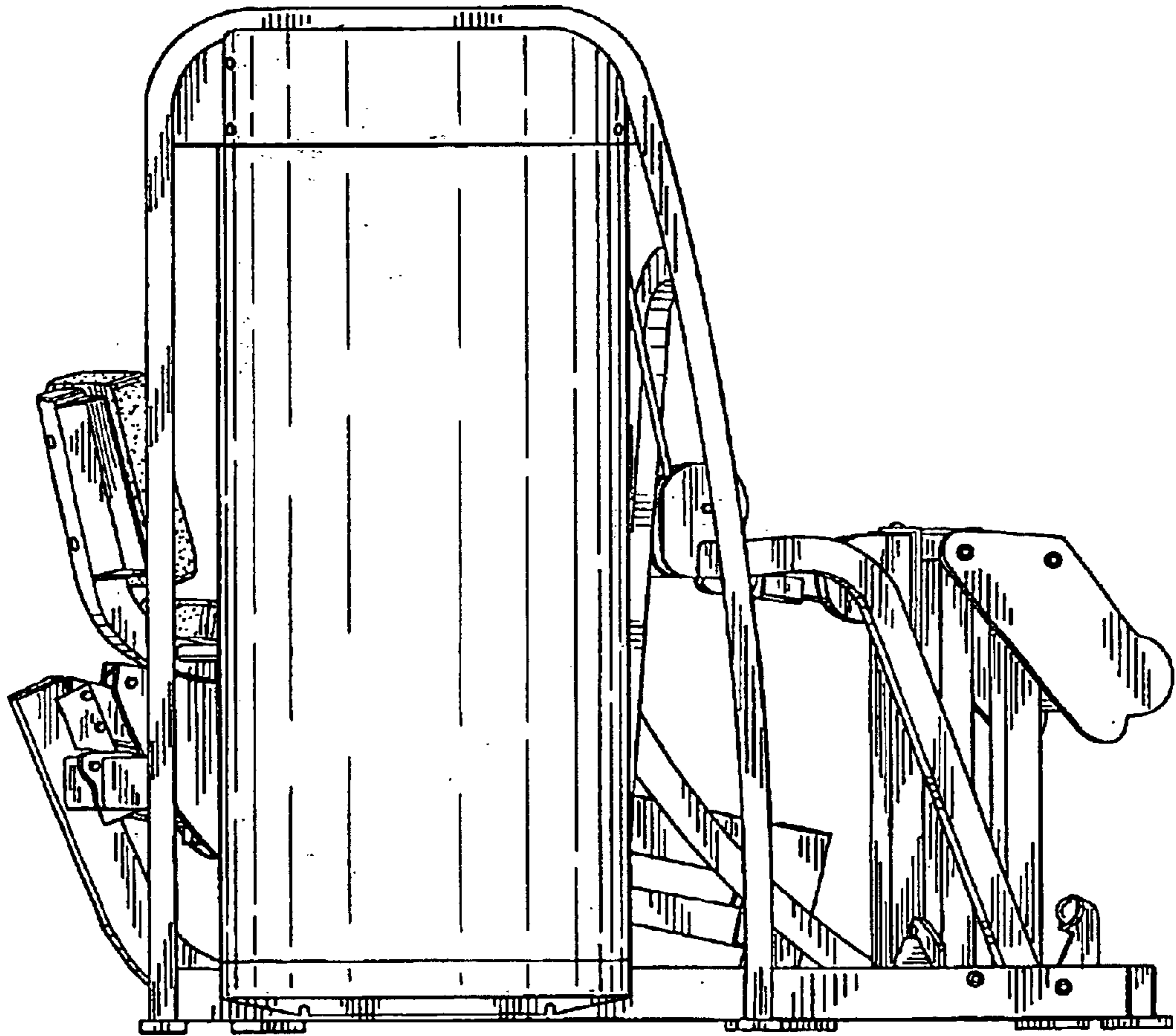


FIG. 2

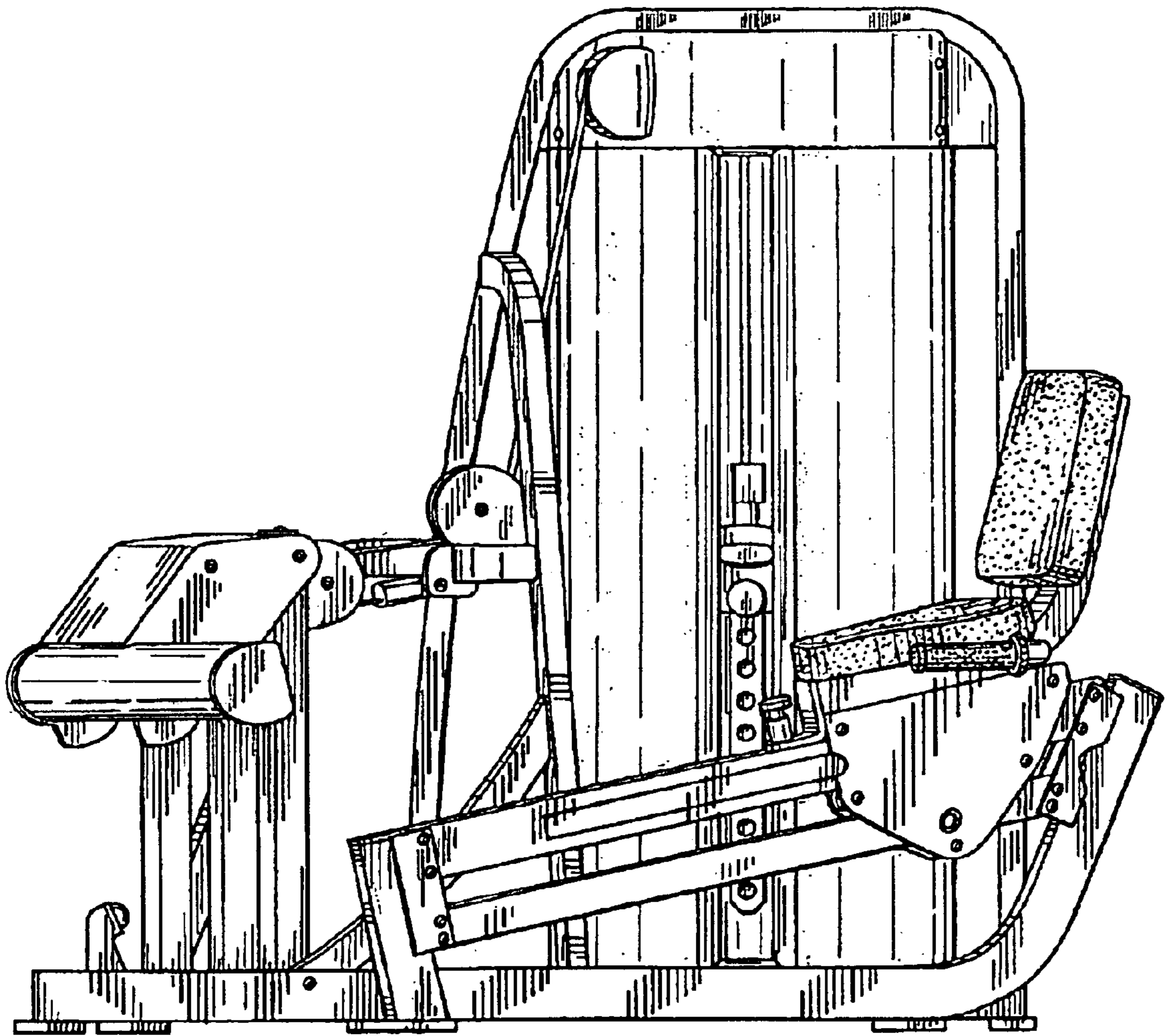


FIG. 3

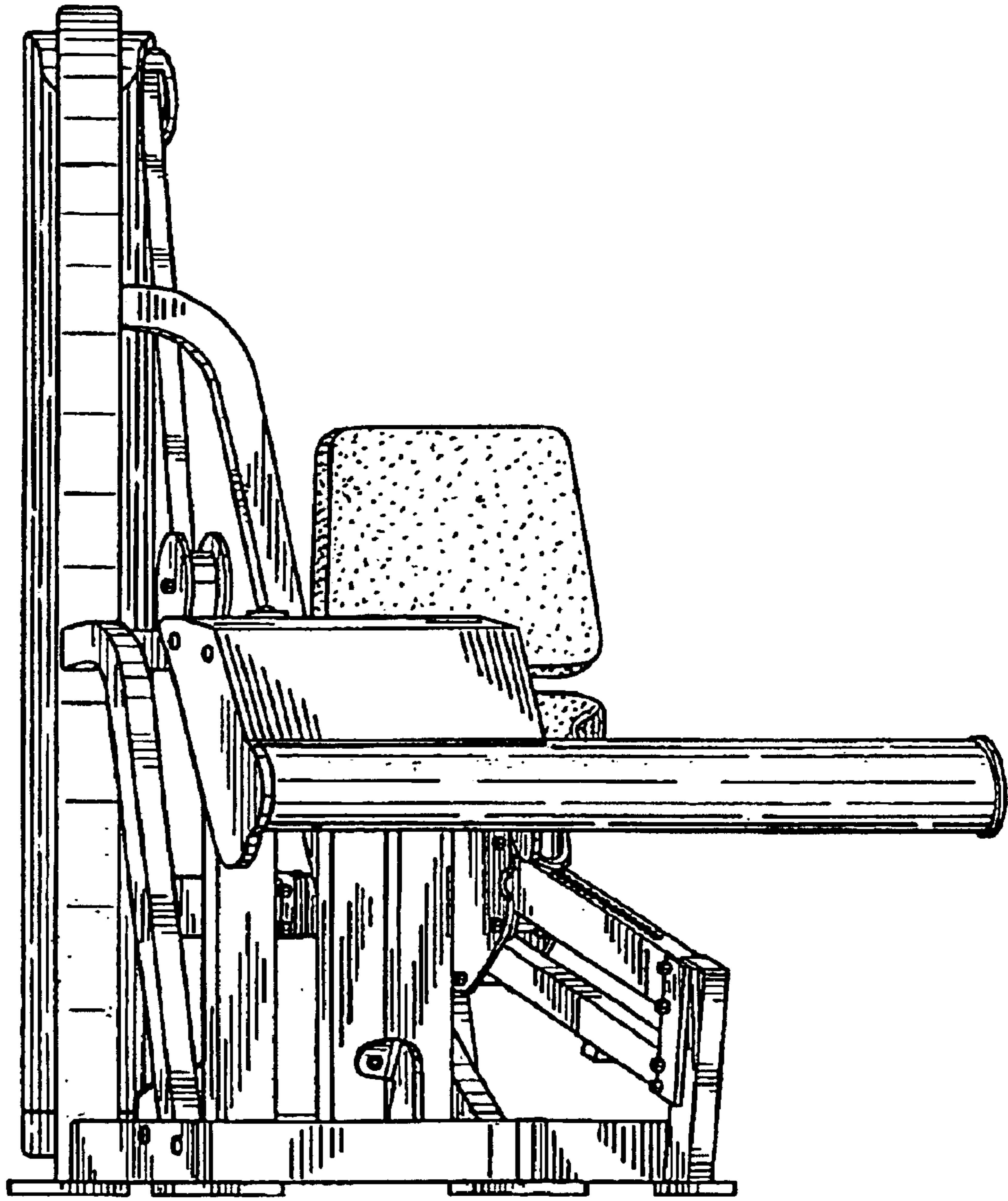


FIG. 4

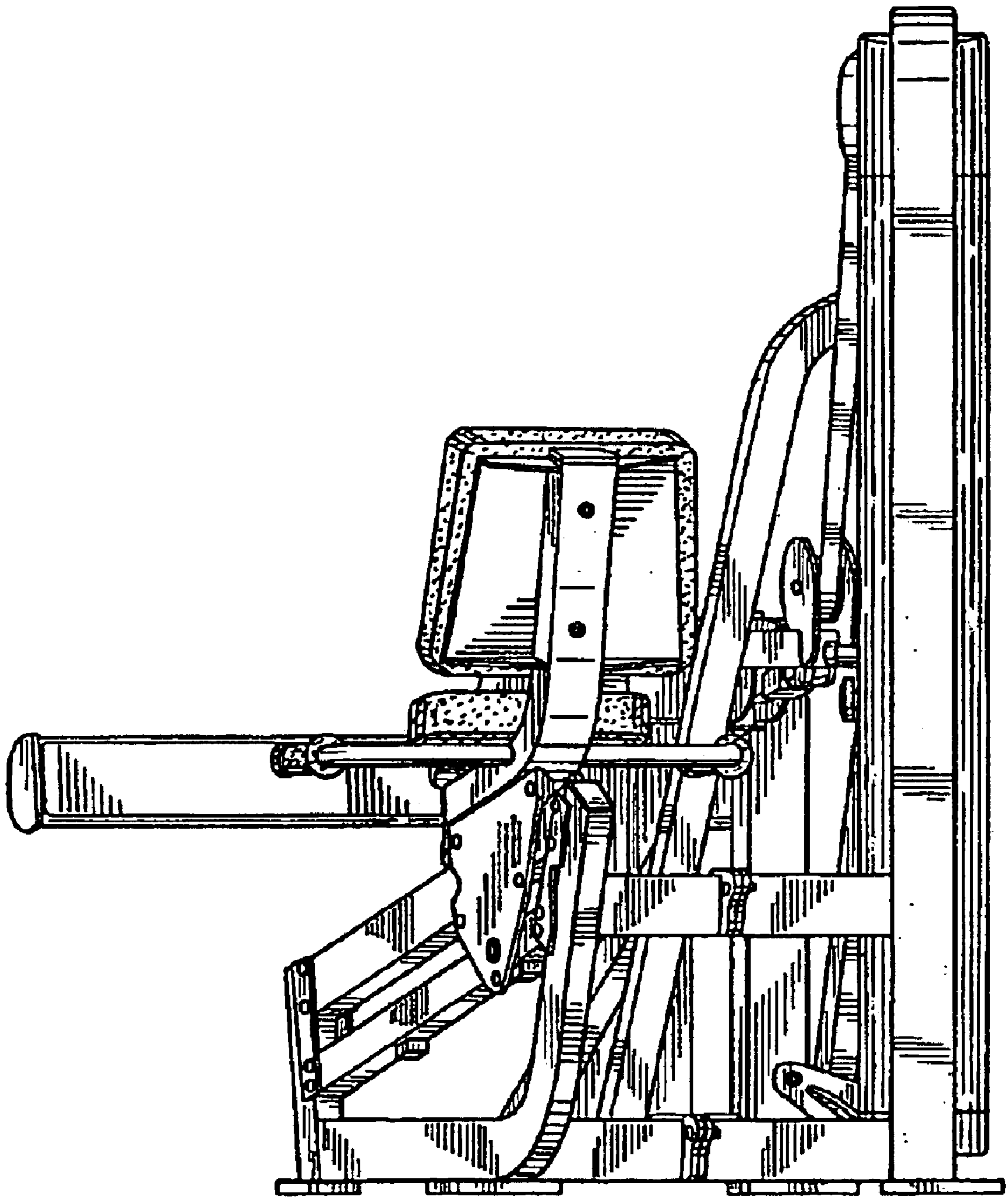


FIG. 5

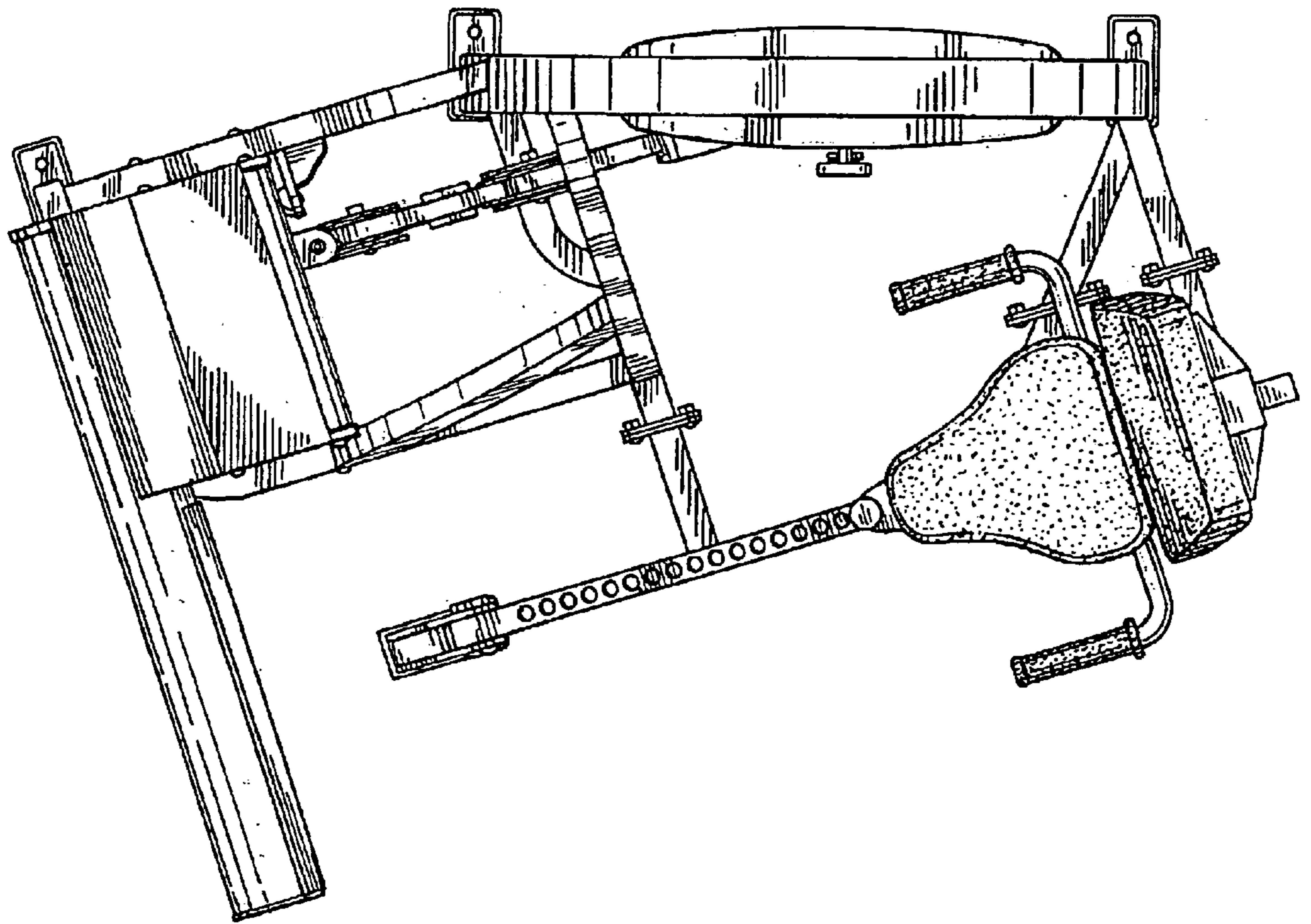


FIG. 6

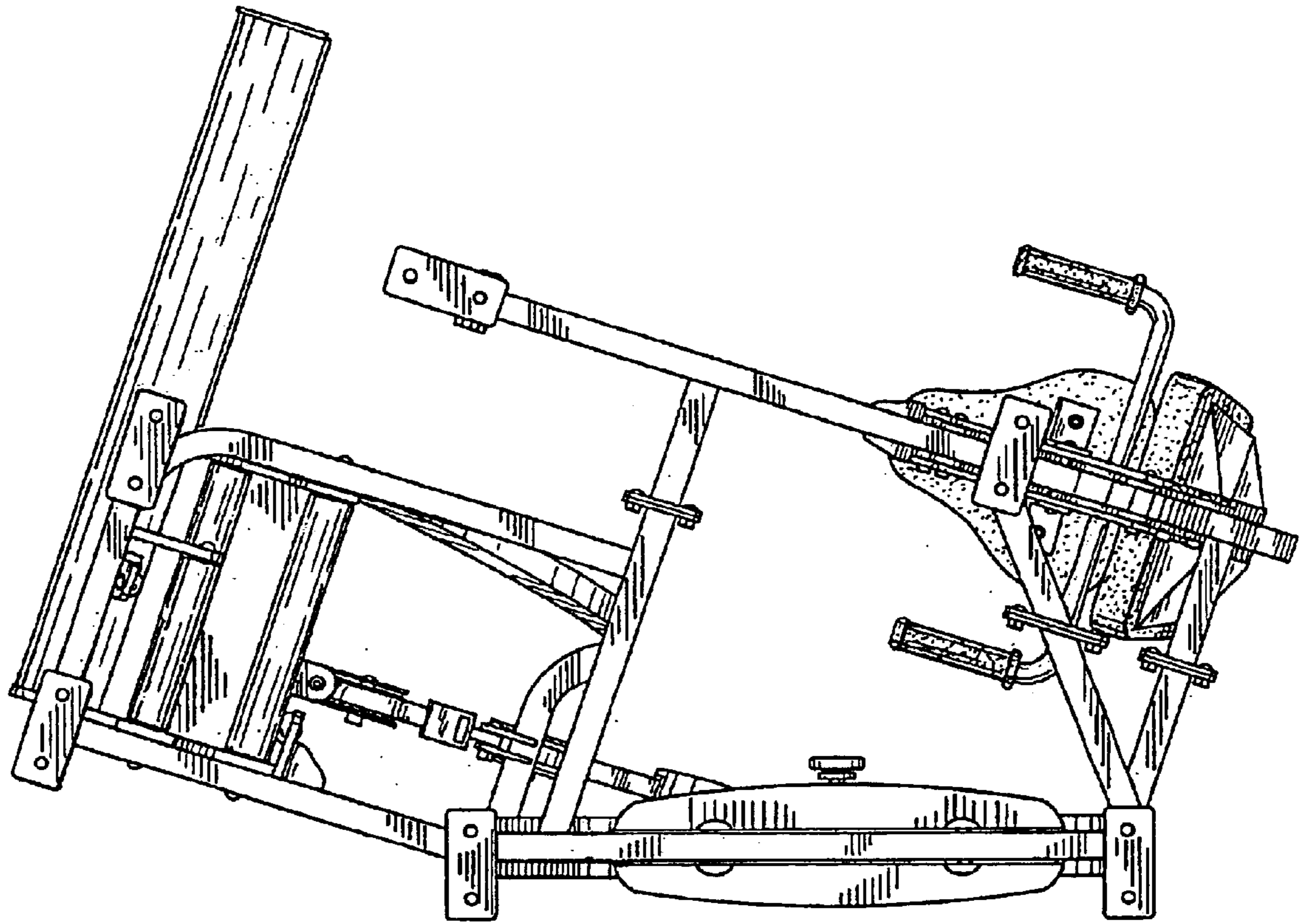


FIG. 7