



US00D490127S

(12) **United States Design Patent**
Giannelli et al.

(10) **Patent No.:** **US D490,127 S**

(45) **Date of Patent:** **** May 18, 2004**

(54) **ARM EXTENSION MACHINE**

(75) **Inventors:** **Raymond Giannelli**, Franklin, MA (US); **Scott Lee**, Pomfret, CT (US)

(73) **Assignee:** **Cybex International, Inc.**, Medway, MA (US)

(**) **Term:** **14 Years**

(21) **Appl. No.:** **29/170,905**

(22) **Filed:** **Nov. 13, 2002**

(51) **LOC (7) Cl.** **21-02**

(52) **U.S. Cl.** **D21/676; D21/675**

(58) **Field of Search** **D21/662, 673, D21/674, 675, 676; 482/95, 96, 97, 98, 99, 100, 101, 102, 133, 135, 137**

(56) **References Cited**

U.S. PATENT DOCUMENTS

- D239,302 S * 3/1976 Clarke D21/675
- D239,399 S * 3/1976 Clarke D21/675

- 5,421,796 A 6/1995 Jones et al. 482/100
- 5,803,882 A 9/1998 Habing et al. 482/136
- 5,897,467 A * 4/1999 Habing et al. 482/100
- 6,056,678 A * 5/2000 Giannelli et al. 482/137
- 6,409,637 B1 * 6/2002 Webber et al. 482/99

* cited by examiner

Primary Examiner—Philip S. Hyder

(74) *Attorney, Agent, or Firm*—Kudirka & Jobse, LLP

(57) **CLAIM**

The ornamental design for an arm extension machine, as shown.

DESCRIPTION

FIG. 1 is front perspective view of the arm extension machine of the subject invention; FIG. 2 is a right side view thereof; FIG. 3 is a left side view thereof; FIG. 4 is a front view thereof; FIG. 5 is a rear view thereof; and, FIG. 6 is a top view thereof.

1 Claim, 6 Drawing Sheets

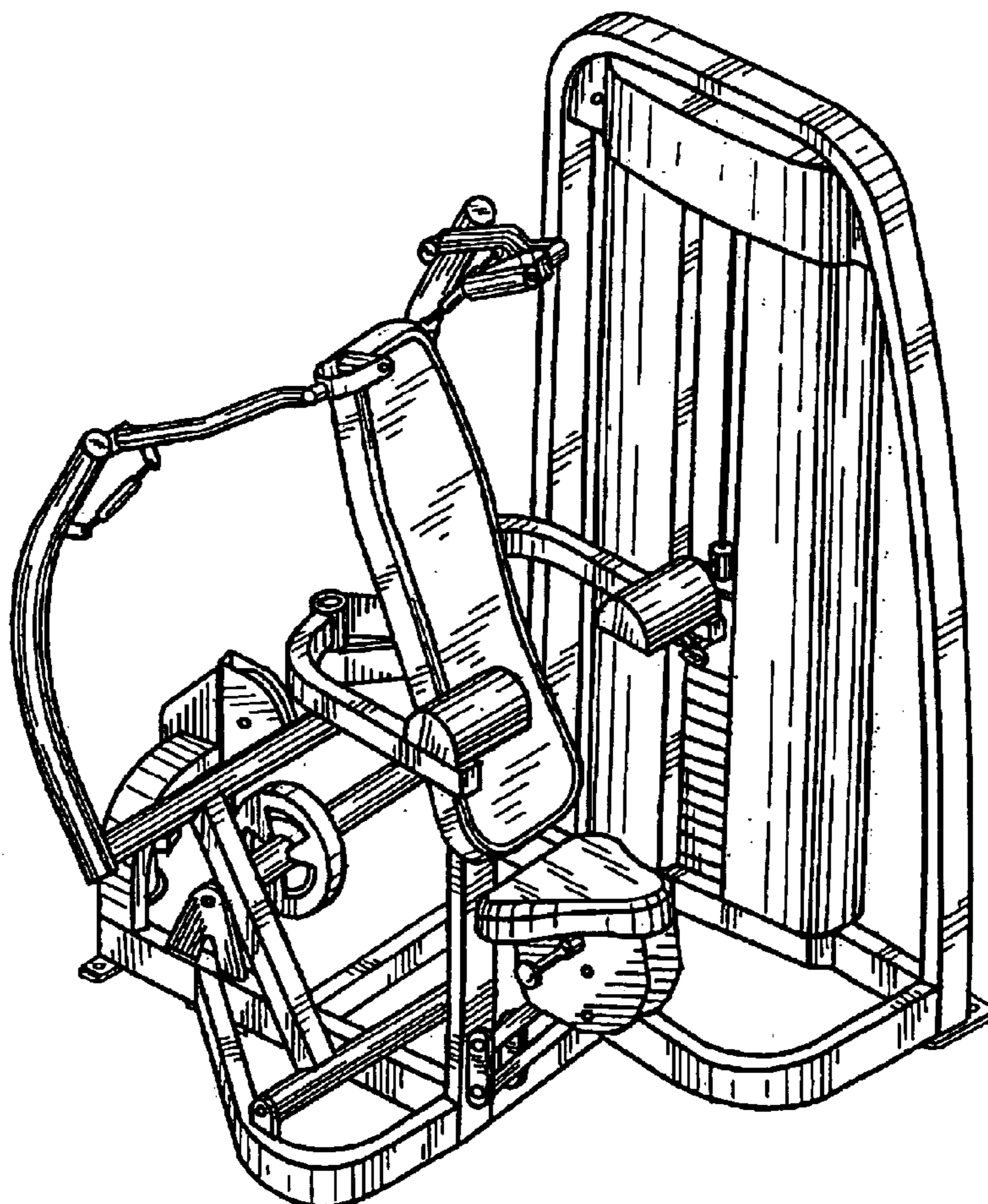


FIG 1

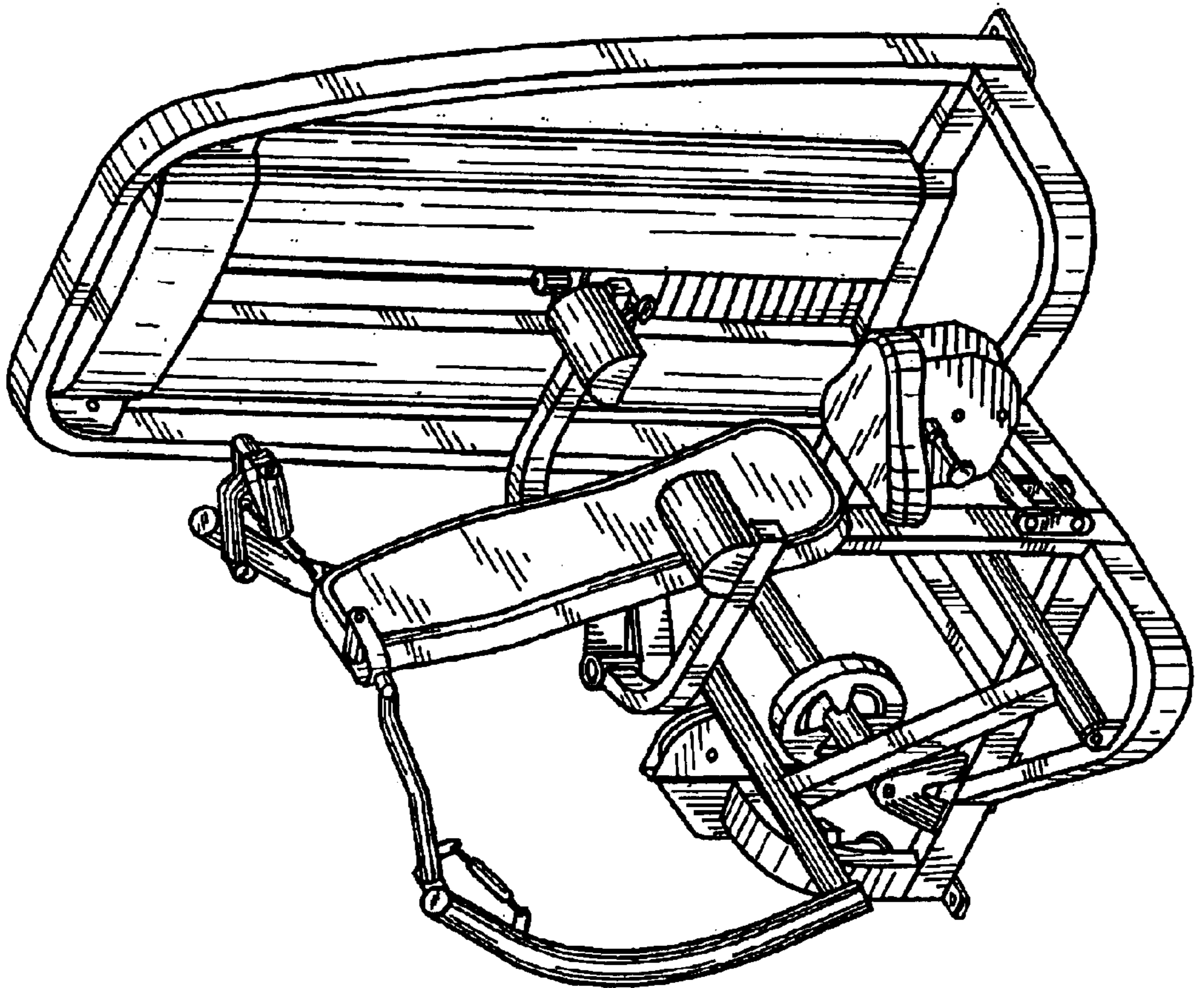


FIG. 2

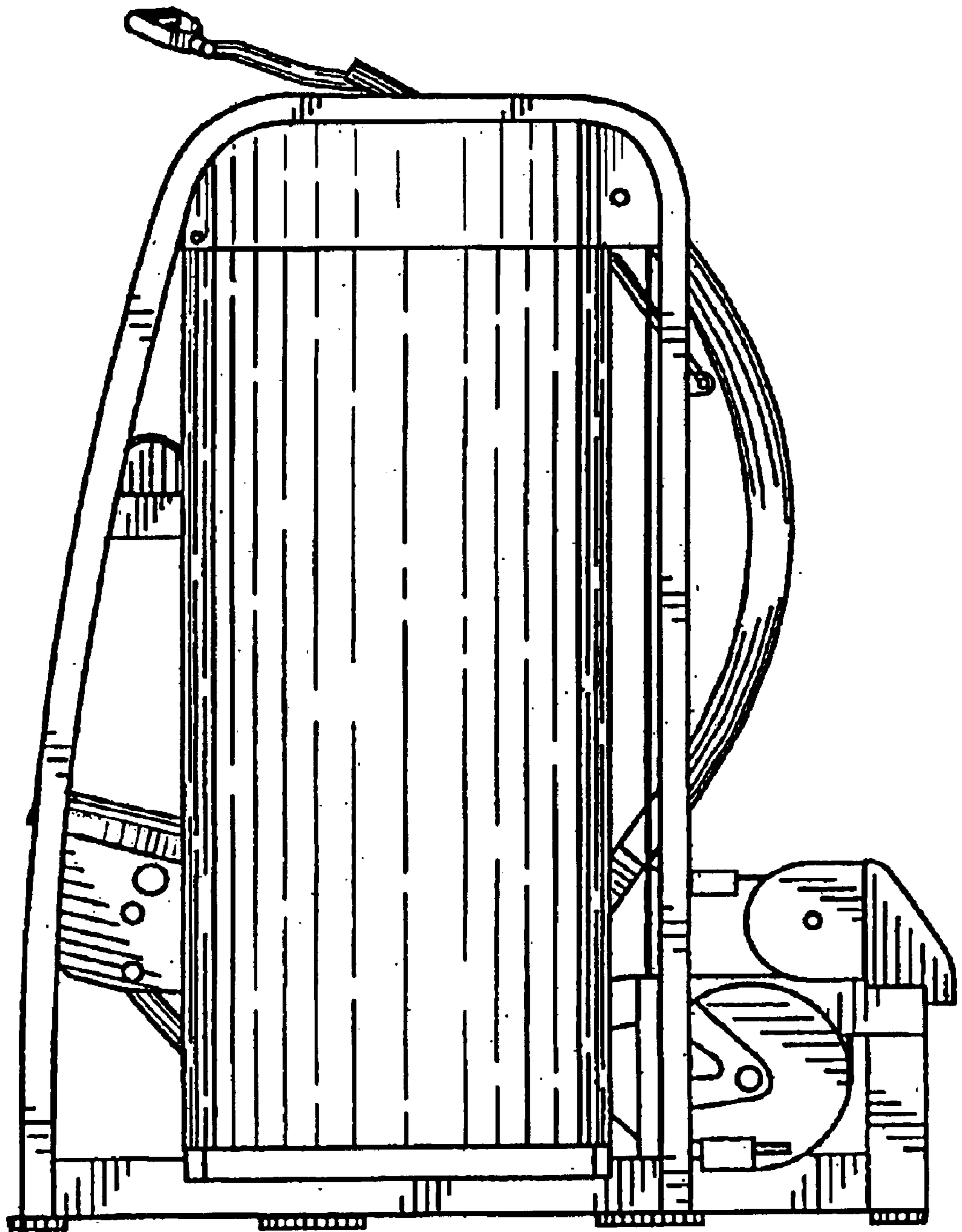


FIG. 3

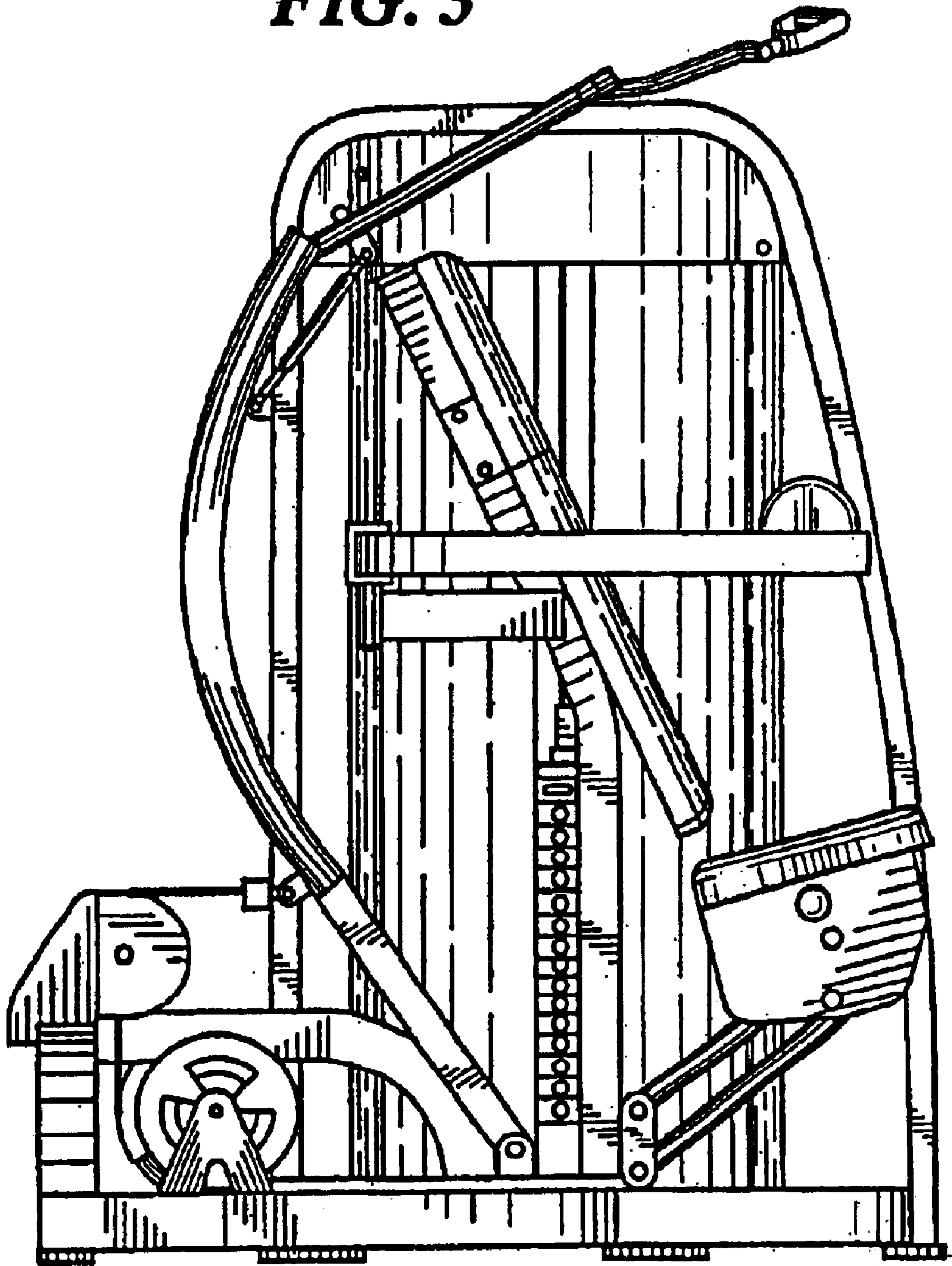


FIG. 4

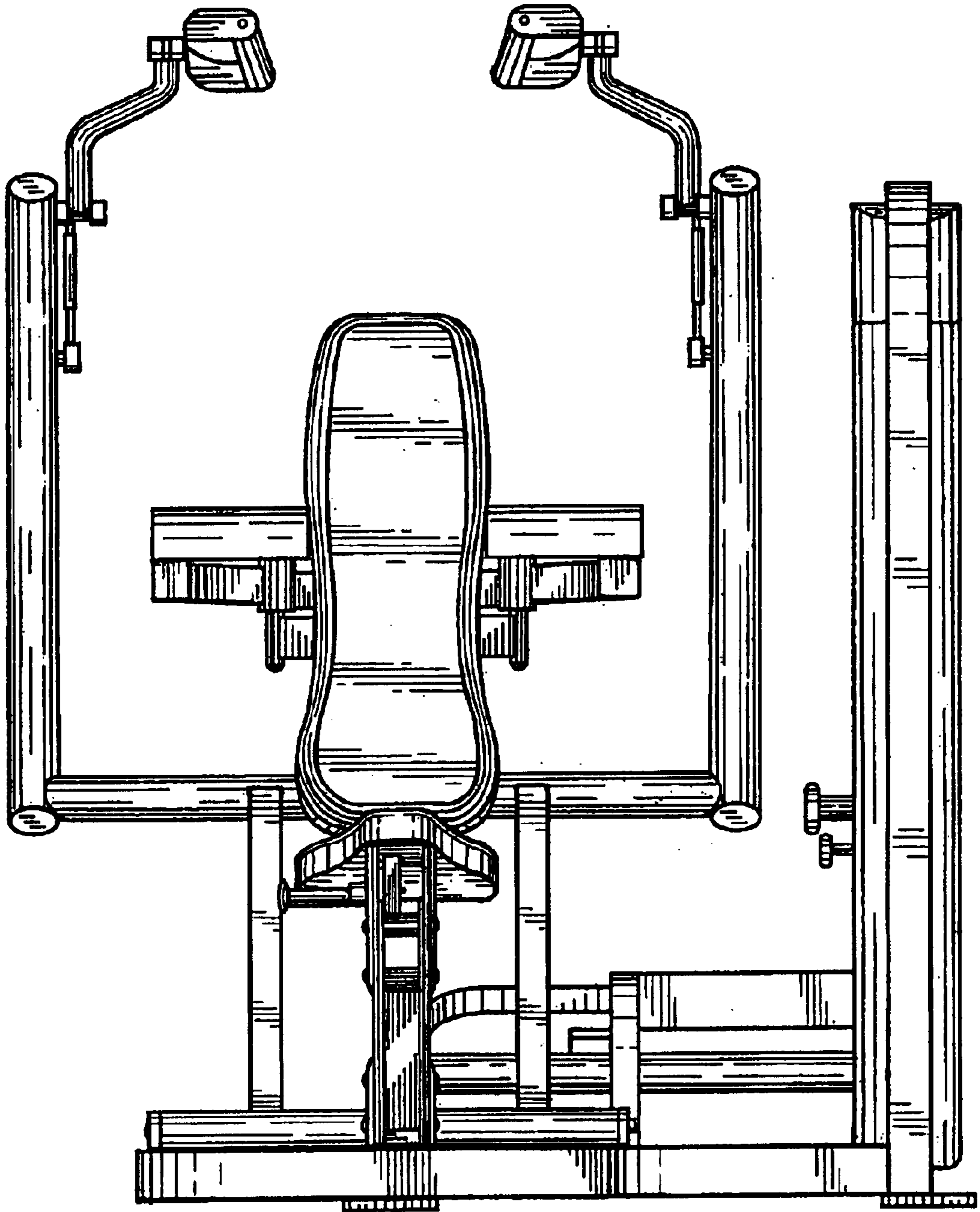


FIG. 5

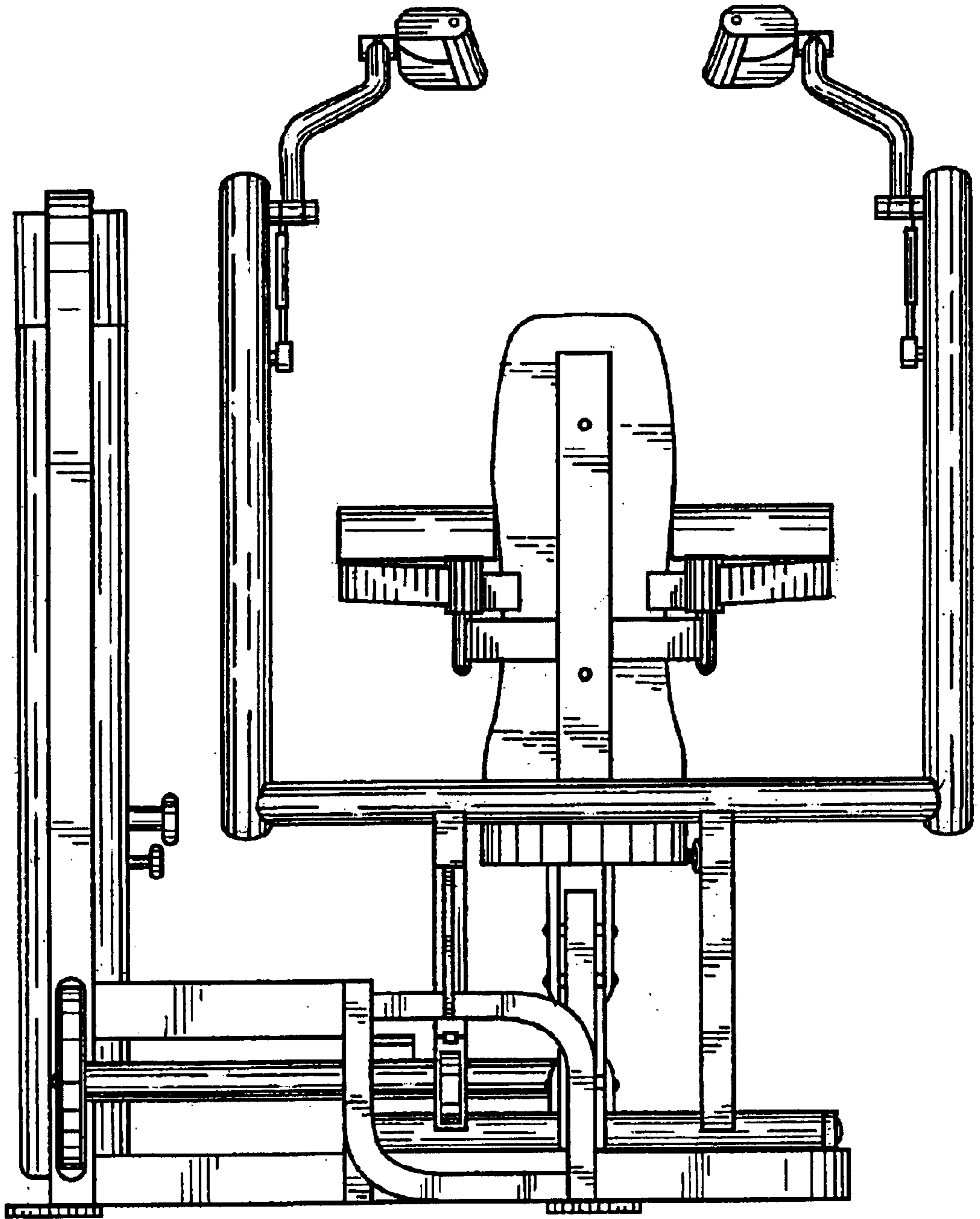


FIG 6

