



US00D490123S

(12) **United States Design Patent**
Hradisky

(10) **Patent No.:** **US D490,123 S**

(45) **Date of Patent:** **** May 18, 2004**

(54) **TOY KITCHEN**

(75) **Inventor:** **John L. Hradisky, Aurora, OH (US)**

(73) **Assignee:** **The Step2 Company, Streetsboro, OH (US)**

(**) **Term:** **14 Years**

(21) **Appl. No.:** **29/174,027**

(22) **Filed:** **Jan. 10, 2003**

(51) **LOC (7) Cl.** **21-01**

(52) **U.S. Cl.** **D21/524**

(58) **Field of Search** D21/519, 523-525,
D21/483, 484, 490, 494, 506-511; D7/332,
337; D23/271, 272, 286; D25/52, 55, 136;
446/479, 478, 481, 482, 485, 85, 102-105,
108-117

(56) **References Cited**

U.S. PATENT DOCUMENTS

2,127,047	A	*	8/1938	Pinney	446/482
3,133,376	A	*	5/1964	Orenstein	446/481
D210,821	S	*	4/1968	Stone	D25/136
D258,162	S	*	2/1981	Orenstein et al.	D21/524
4,332,101	A	*	6/1982	Tomita	446/481
4,333,258	A	*	6/1982	McCaslin	446/481
D308,234	S	*	5/1990	Fish, Jr.	D21/490

D345,592	S	*	3/1994	Houry et al.	D21/524
5,492,495	A	*	2/1996	Ashley	446/110
D391,615	S	*	3/1998	Wilgus	D21/506
D403,449	S	*	12/1998	Searer	D25/136
D425,328	S	*	5/2000	Welling	D23/272
D478,946	S	*	8/2003	Franta et al.	D21/524

* cited by examiner

Primary Examiner—Raphael Barkai

(74) *Attorney, Agent, or Firm*—Brouse McDowell; Roger D. Emerson; Heather M. Barnes

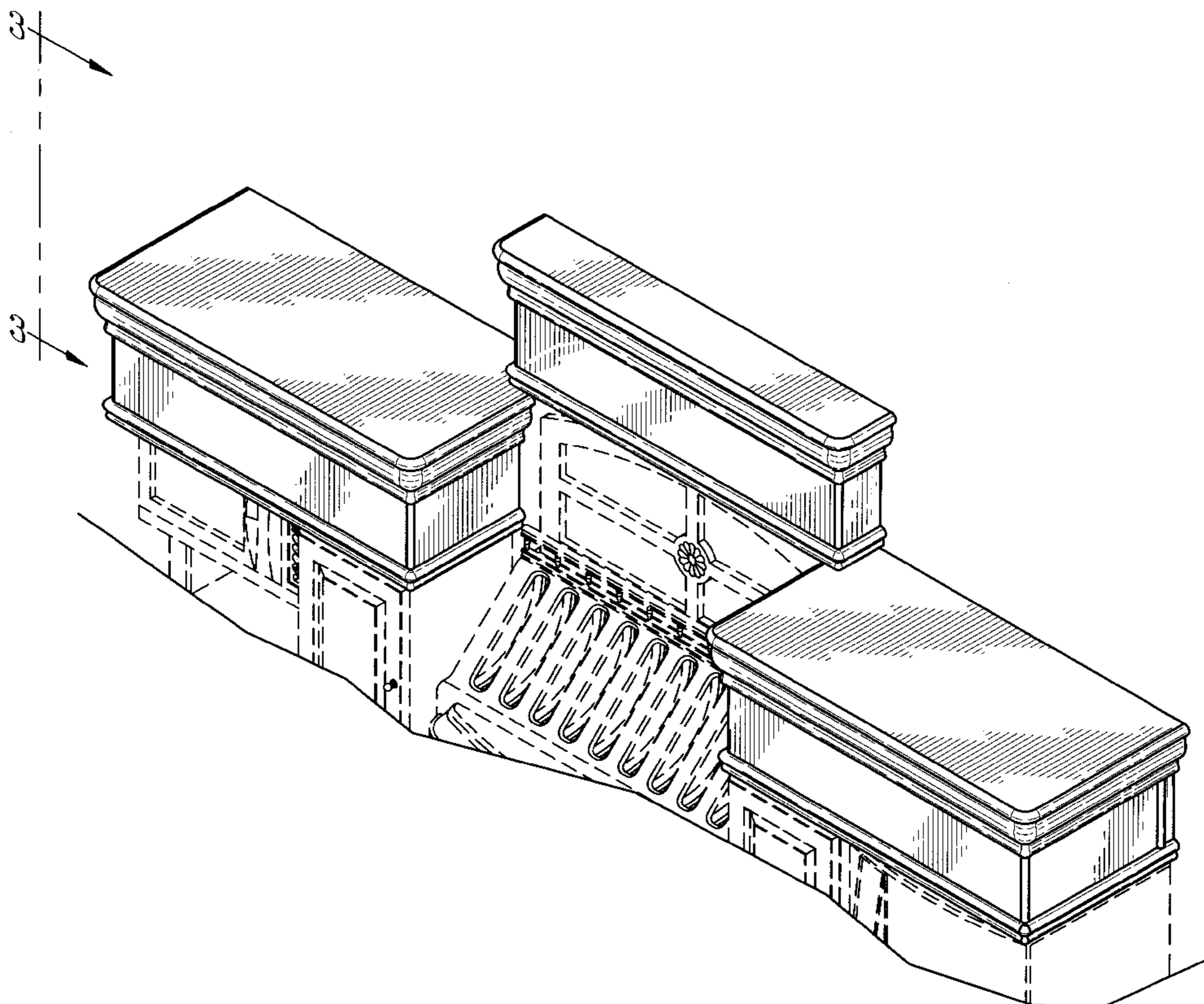
(57) **CLAIM**

The ornamental design for a toy kitchen, as shown and described.

DESCRIPTION

FIG. 1 is a front elevational view of a toy kitchen showing the crown molding breaking horizontally and vertically, over the sink, and the broken lines are for illustrative purposes only and form no part of the claimed design; FIG. 2 is a cut-away side perspective view of a toy kitchen showing the crown molding breaking horizontally and vertically, over the sink, and the broken lines are for illustrative purposes only and form no part of the claimed design; and, FIG. 3 is an enlarged front view of the crown molding section where it breaks horizontally and vertically over the sink of a toy kitchen taken along line 3—3 of FIG. 2.

1 Claim, 3 Drawing Sheets



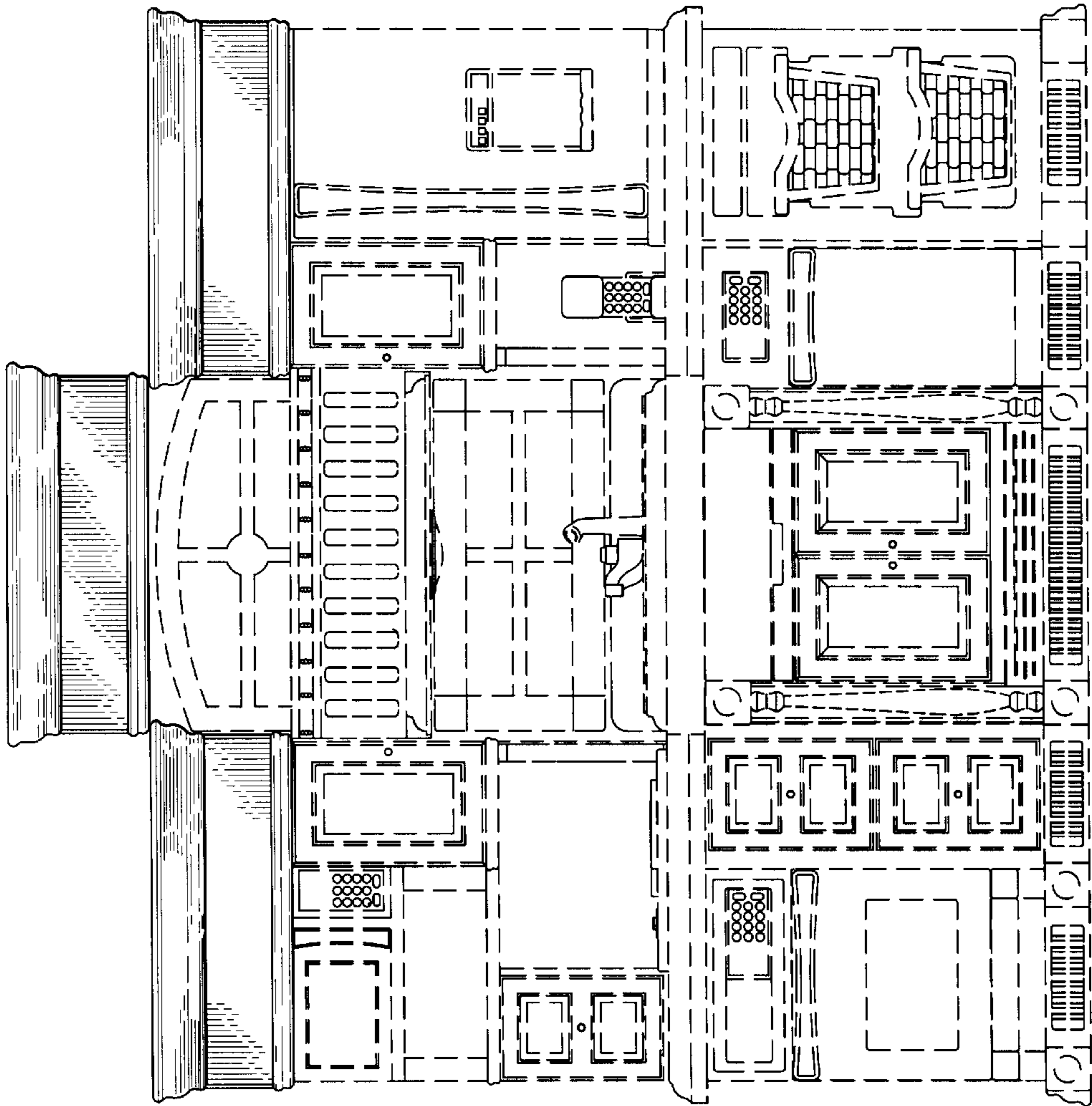


FIG-1

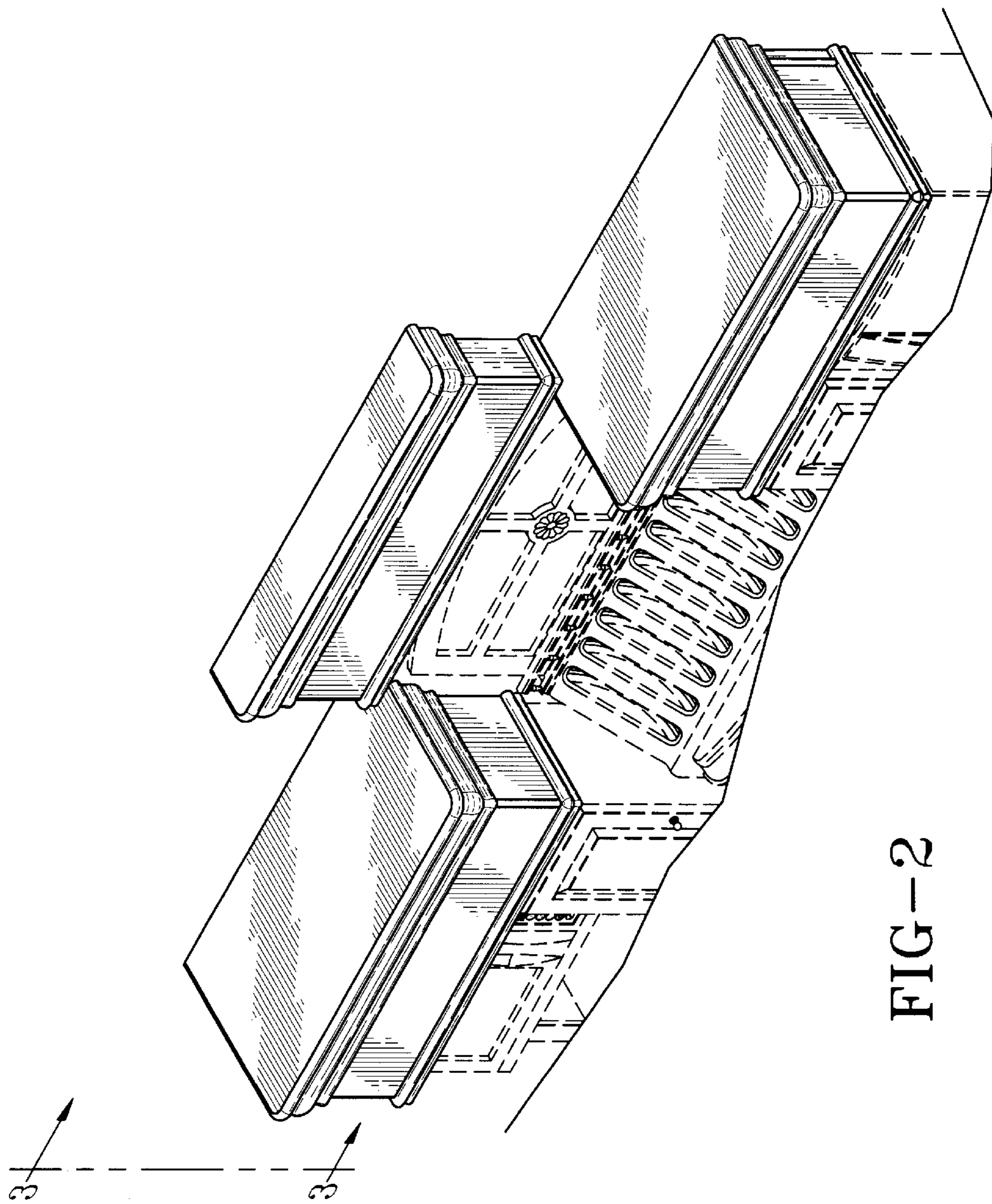


FIG-2

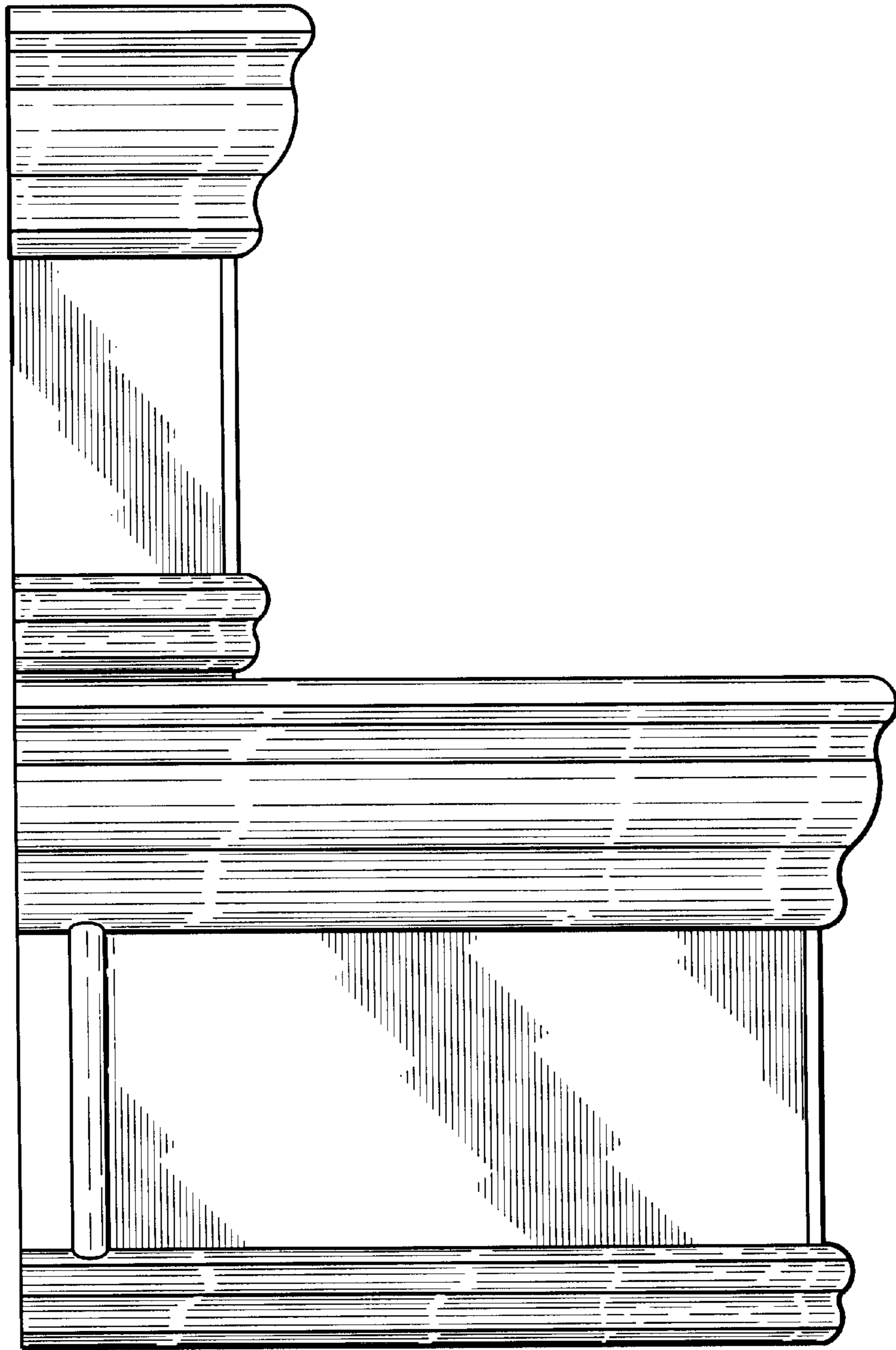


FIG-3