



US00D490118S

(12) **United States Design Patent**
Jackson, Sr. et al.

(10) **Patent No.:** **US D490,118 S**

(45) **Date of Patent:** **** May 18, 2004**

(54) **GAME STATION**

(76) Inventors: **Jeremiah Jackson, Sr.**, 2448 Summit Dr., Janesville, WI (US) 53545;
Jeremiah Jackson, Jr., 2448 Summit Dr., Janesville, WI (US) 53545

(**) Term: **14 Years**

(21) Appl. No.: **29/183,410**

(22) Filed: **Jun. 12, 2003**

(51) **LOC (7) Cl.** **21-01**

(52) **U.S. Cl.** **D21/327; D21/326**

(58) **Field of Search** D21/324-328,
D21/333, 811; 273/148 B, 440, 442, 444,
461; 463/1, 46-51

(56) **References Cited**

U.S. PATENT DOCUMENTS

4,418,911 A	*	12/1983	Bowers et al.	463/47
4,960,117 A	*	10/1990	Moncrief et al.	463/46
4,995,603 A	*	2/1991	Reed	472/60
5,299,810 A	*	4/1994	Pierce et al.	463/2
D360,901 S	*	8/1995	Slater	D21/326
D380,779 S	*	7/1997	Shinzato	D21/326
D384,982 S	*	10/1997	Moriyama	D21/327

5,713,794 A	*	2/1998	Shimajima et al.	463/36
D392,688 S	*	3/1998	Isetani et al.	D21/326
D396,898 S	*	8/1998	Tsuda	D21/326
D431,266 S	*	9/2000	Tomita et al.	D21/327

* cited by examiner

Primary Examiner—Prabhakar Deshmukh

(74) *Attorney, Agent, or Firm*—Keith Frantz

(57) **CLAIM**

The ornamental design for a game station, as shown and described.

DESCRIPTION

FIG. 1 is a front perspective view showing my new game station.

FIG. 2 is a rear perspective view thereof.

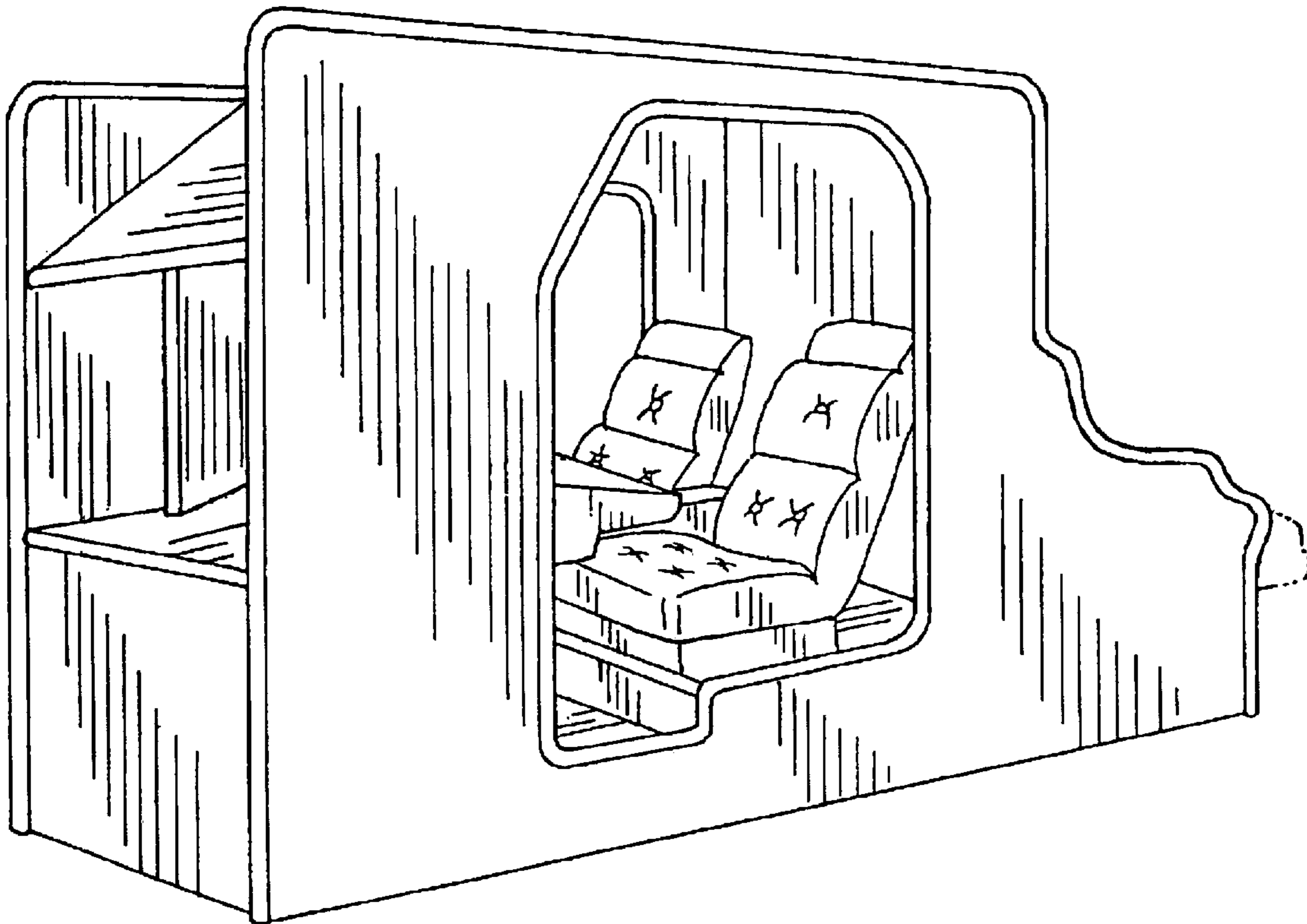
FIG. 3 is right side elevation view thereof, the left side elevation view being a mirror image thereof.

FIG. 4 is a top plan view thereof.

FIG. 5 is a top plan view similar to FIG. 4 but with the top cover removed to expose certain components thereof; and, FIG. 6 is a front elevation view thereof.

The broken lines are for illustrative purpose only and form no part of the claimed design.

1 Claim, 3 Drawing Sheets



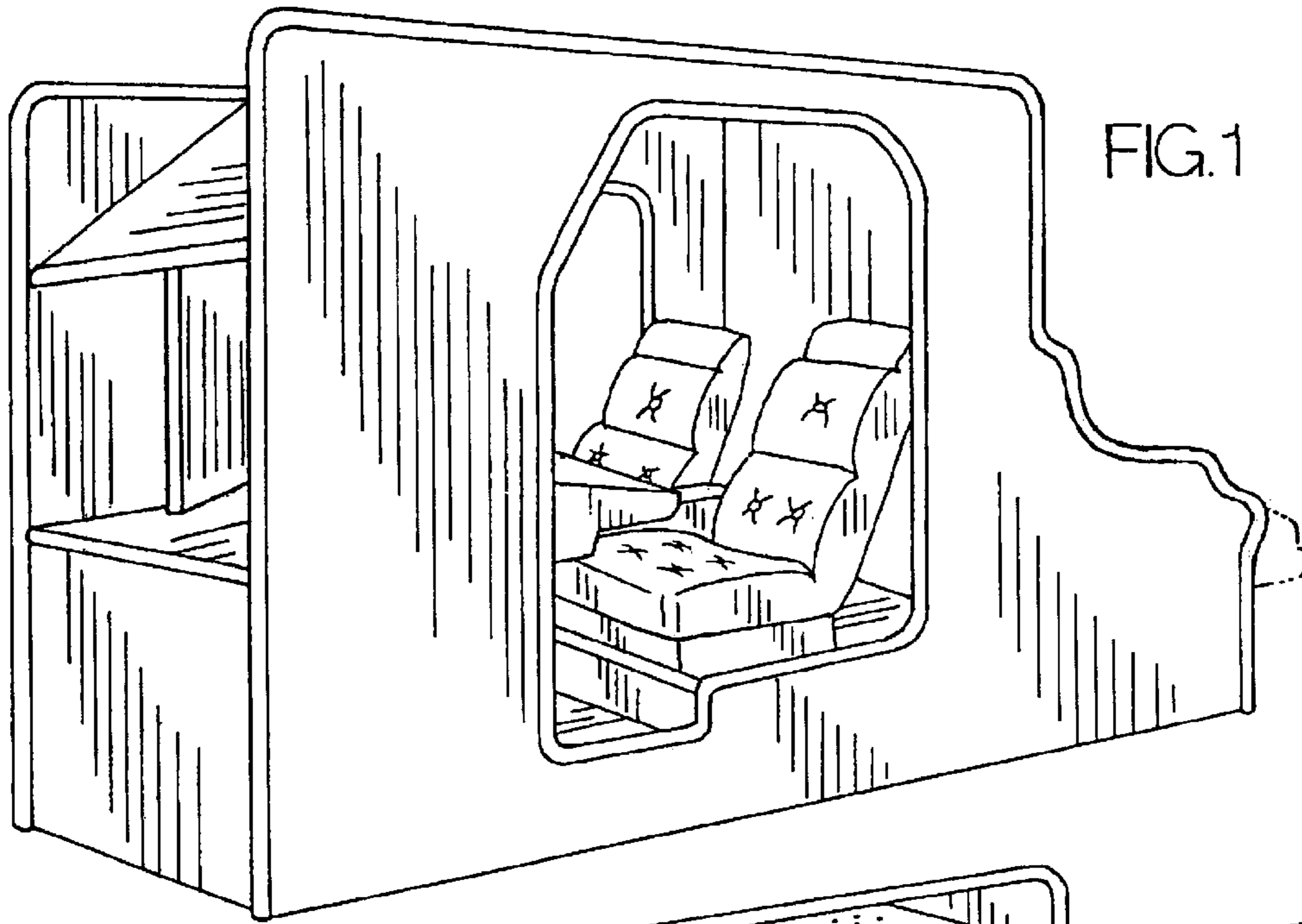


FIG. 1

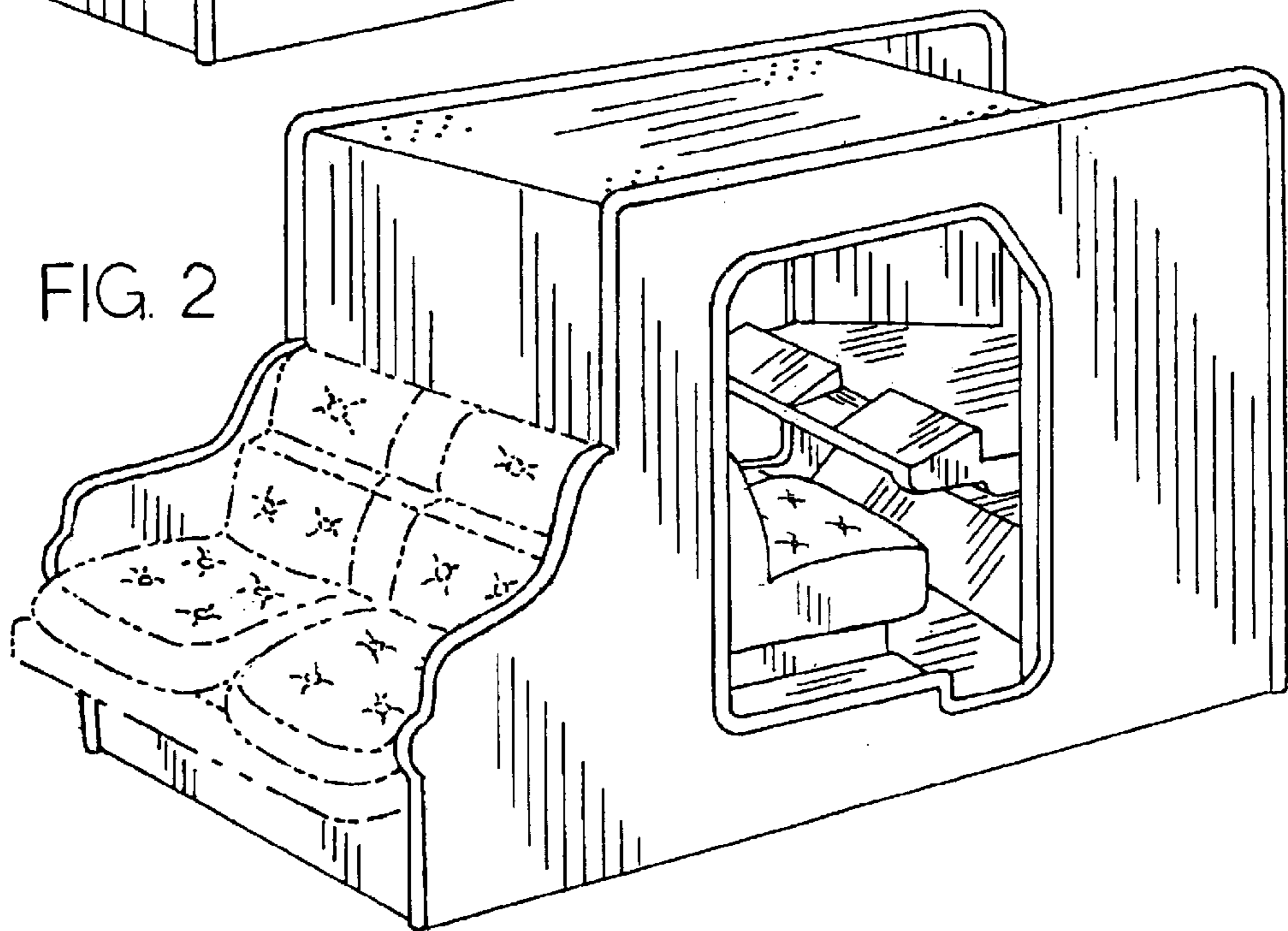


FIG. 2

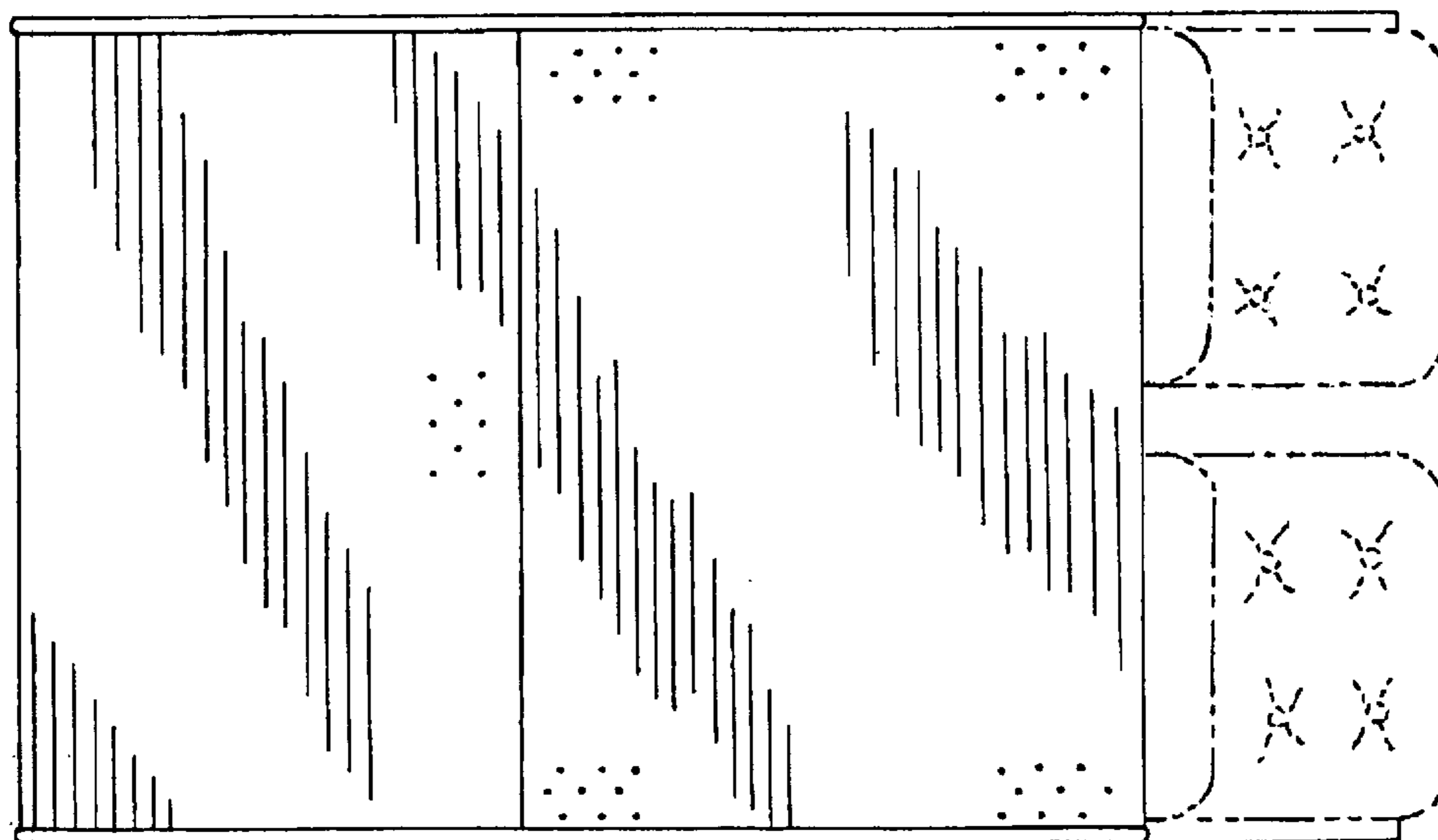
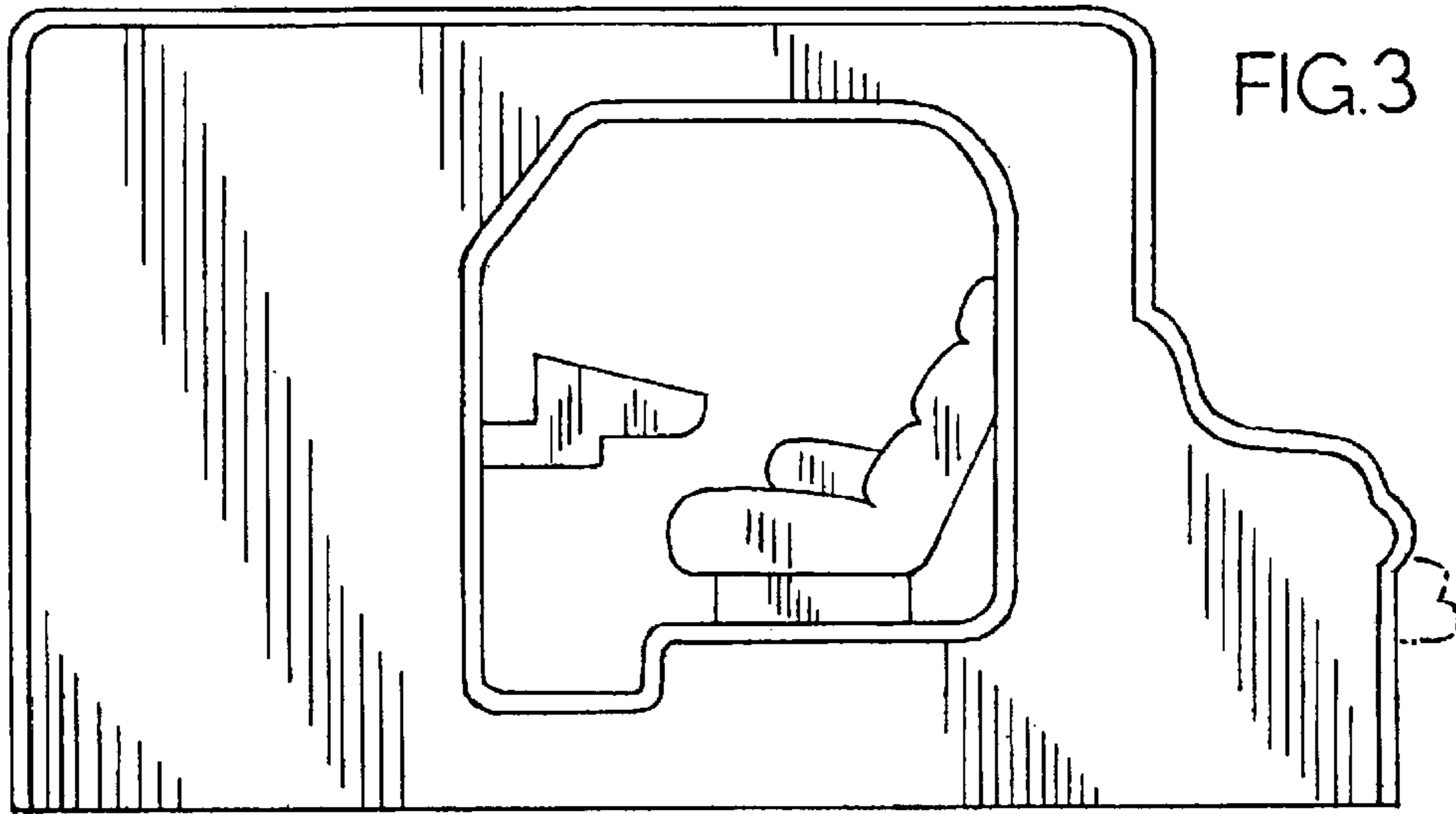


FIG. 4

FIG. 5

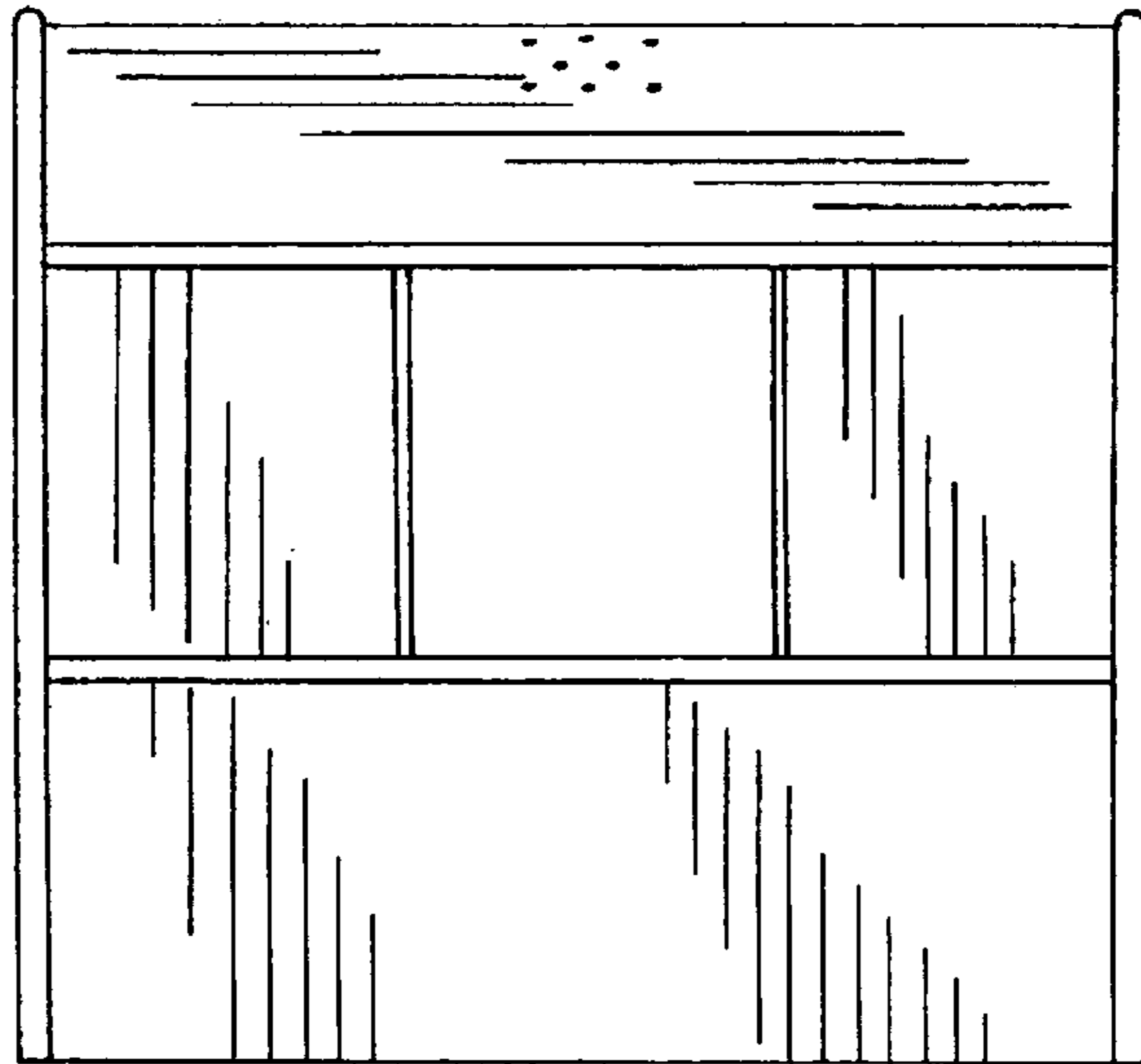
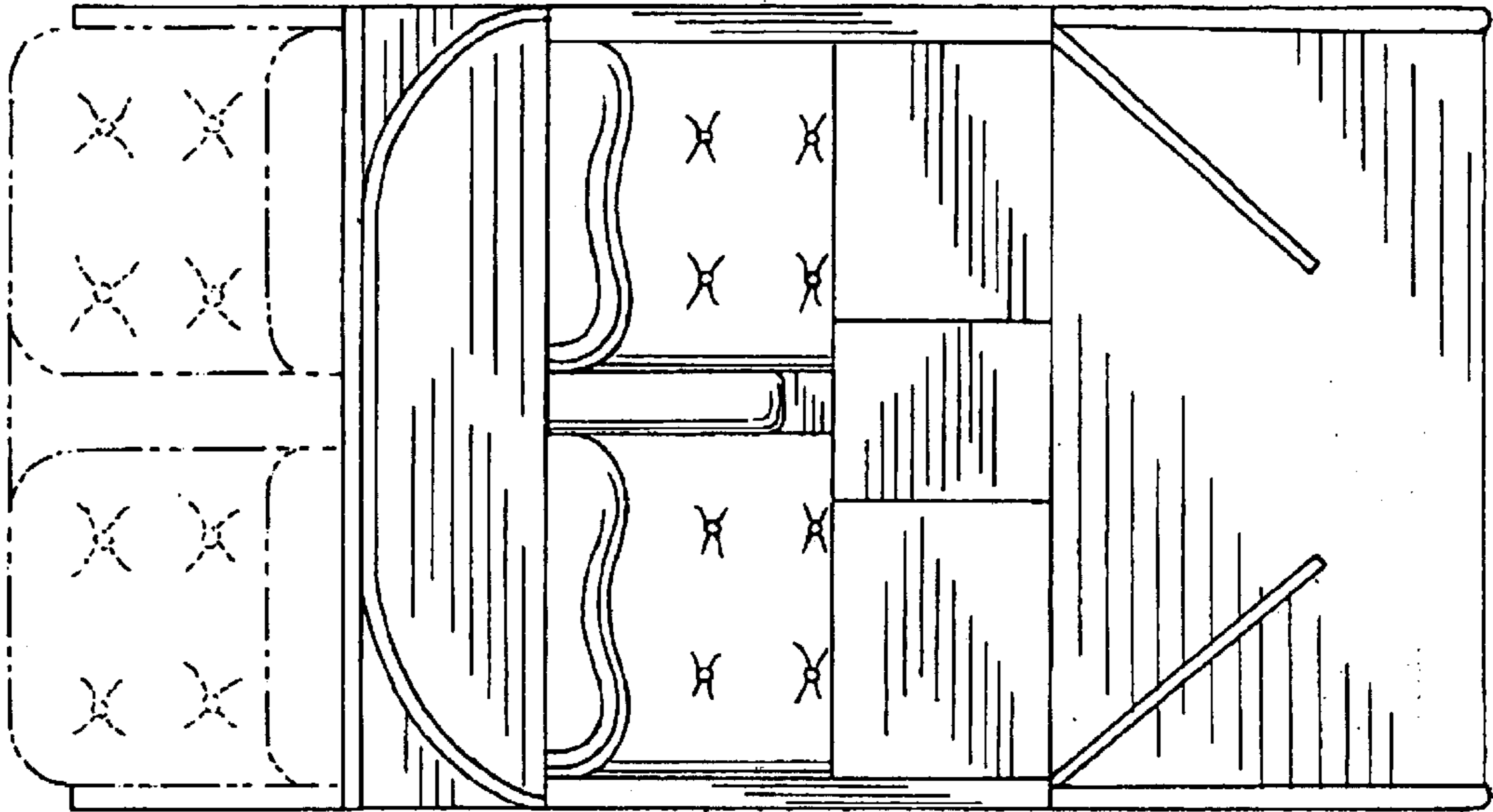


FIG. 6