



US00D490113S

(12) **United States Design Patent**
Nykoluk

(10) **Patent No.:** **US D490,113 S**

(45) **Date of Patent:** **** May 18, 2004**

(54) **LUGGAGE TAG**

(75) Inventor: **Cory O. Nykoluk**, Ballwin, MO (US)

(73) Assignee: **Cerf Bros. Bag Co.**, Earth City, MO (US)

(**) Term: **14 Years**

(21) Appl. No.: **29/177,535**

(22) Filed: **Mar. 11, 2003**

(51) **LOC (7) Cl.** **19-08**

(52) **U.S. Cl.** **D20/27**

(58) **Field of Search** D3/18, 20, 26;
D20/10, 13, 15, 17, 22, 27, 28, 29, 4.42;
40/1, 1.5, 1.6, 6, 124.06, 661

(56) **References Cited**

U.S. PATENT DOCUMENTS

3,352,040	A	*	11/1967	Simon	40/662
3,384,984	A	*	5/1968	Field	40/662
4,616,435	A	*	10/1986	Perfect	40/6
D327,710	S	*	7/1992	Hofman	D20/40

D350,555	S	*	9/1994	Field et al.	D16/221
D438,908	S	*	3/2001	Najmi	D20/28
6,295,747	B1	*	10/2001	Francis	40/6

* cited by examiner

Primary Examiner—Robert M. Spear

(74) *Attorney, Agent, or Firm*—Polster, Lieder, Woodruff & Lucchesi, L.C.

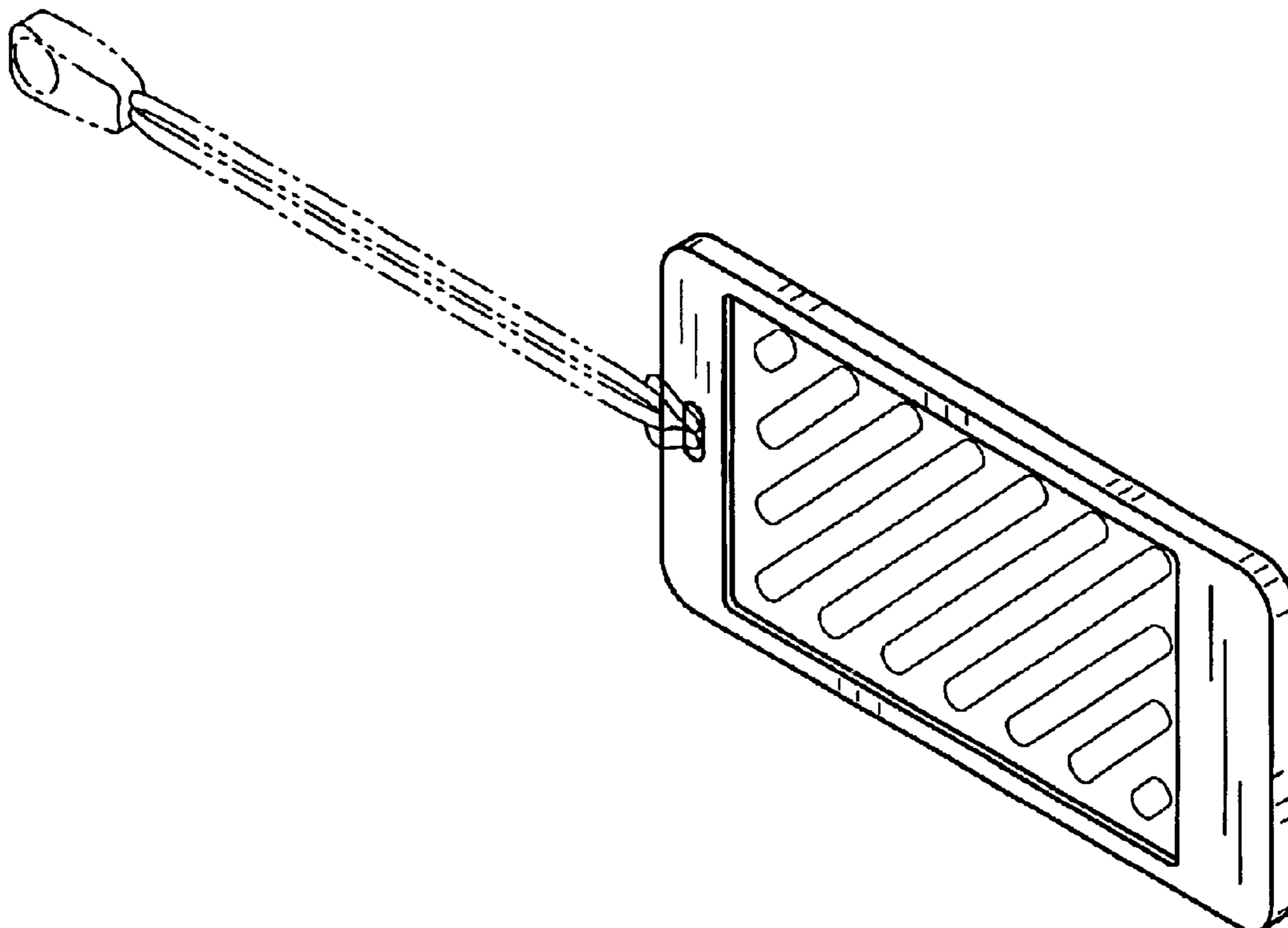
(57) **CLAIM**

The ornamental design for a luggage tag, as shown and described.

DESCRIPTION

FIG. 1 is a perspective view of the present invention; FIG. 2 is a front side view of the present invention; FIG. 3 is a rear view of the present invention; FIG. 4 is a bottom view of the present invention; FIG. 5 is a top view of the present invention; FIG. 6 is a left side view of the present invention; and, FIG. 7 is a right side view of the present invention. The broken line showing of a strap is for illustrative purposes only and forms no part of the claimed design.

1 Claim, 1 Drawing Sheet



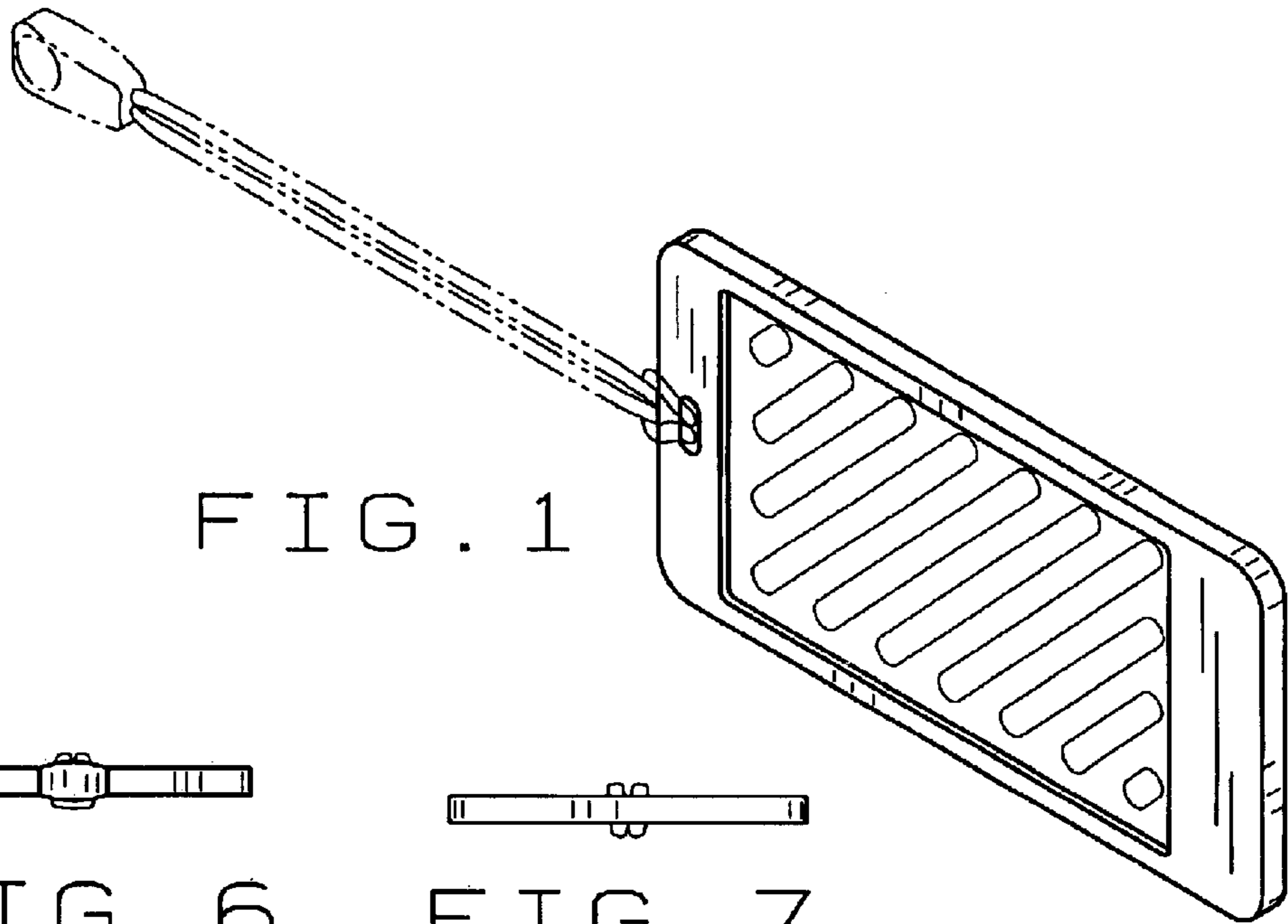


FIG. 1



FIG. 6



FIG. 7

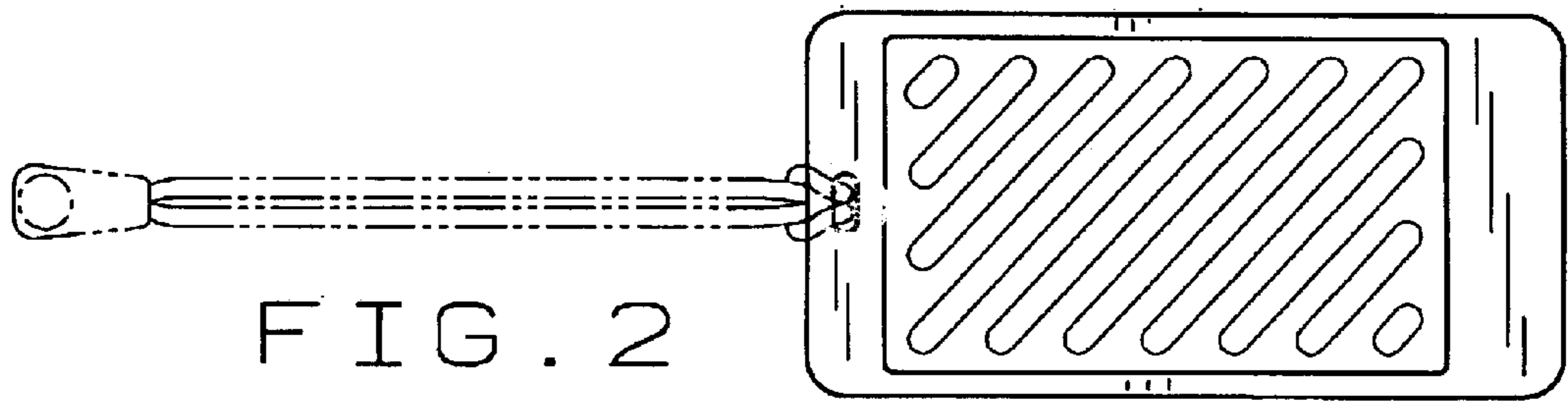


FIG. 2

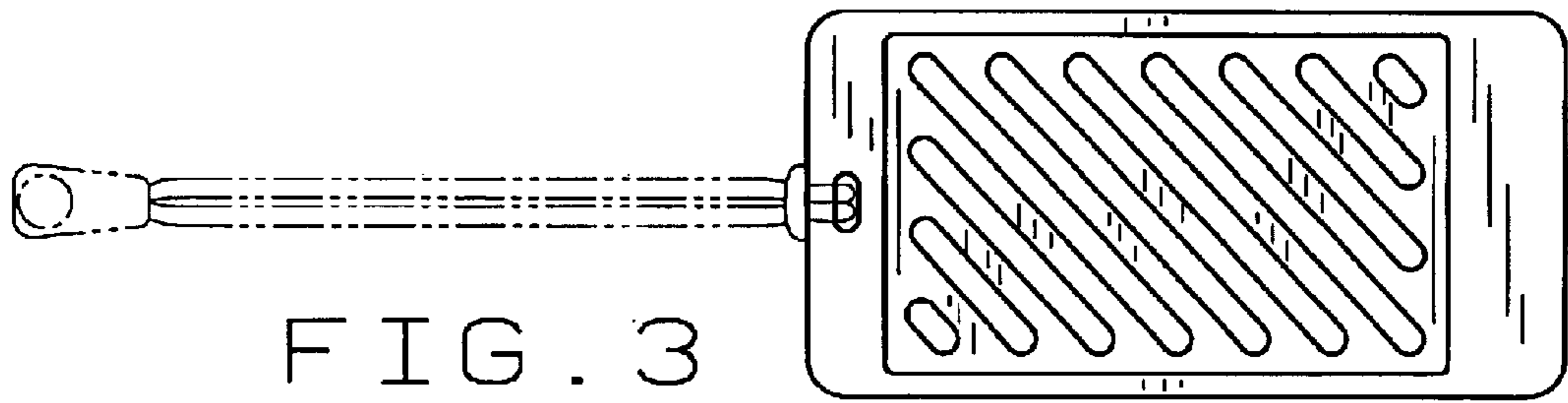


FIG. 3



FIG. 4



FIG. 5