



US00D490109S

(12) **United States Design Patent**
Finney

(10) **Patent No.:** **US D490,109 S**

(45) **Date of Patent:** **** May 18, 2004**

(54) **MARKER**

(75) Inventor: **Mark D. Finney**, Evanston, IL (US)

(73) Assignee: **Berol Corporation**, Freeport, IL (US)

(**) Term: **14 Years**

(21) Appl. No.: **29/170,053**

(22) Filed: **Oct. 31, 2002**

(51) **LOC (7) Cl.** **19-06**

(52) **U.S. Cl.** **D19/51; D19/56**

(58) **Field of Search** D19/35, 36, 41-51,
D19/53-58, 81-85; 401/99, 33, 100, 101,
103-106, 107-110, 111-117, 196, 198,
209, 261

(56) **References Cited**

U.S. PATENT DOCUMENTS

D191,077 S	*	8/1961	Lovejoy	D19/57
3,133,526 A	*	5/1964	Sears	401/110
3,225,746 A	*	12/1965	Hechtle	401/112
3,334,615 A	*	8/1967	Bross	401/110
3,705,774 A	*	12/1972	Kranich	401/33
D330,911 S		11/1992	Tu	D19/51
D364,892 S		12/1995	Lin	D19/49
D365,364 S		12/1995	Tseng	D19/50
D366,498 S		1/1996	Abe et al.	D19/51
D377,051 S		12/1996	Takemura	D19/51
D390,872 S		2/1998	Sunaga	D19/36
D395,448 S		6/1998	Chevalier	D19/51
D409,661 S		5/1999	Izushima	D19/57
D415,199 S		10/1999	Pellissa Beneyto	D19/51

D416,941 S		11/1999	Chevalier et al.	D19/51
D441,015 S		4/2001	Izushima	D19/47
D443,896 S		6/2001	Briggl et al.	D19/49
D445,830 S		7/2001	Yoon	D19/48
D448,047 S		9/2001	Lewis, Jr.	D19/47
D450,088 S	*	11/2001	Banasik	D19/51
D452,274 S		12/2001	Keda	D19/51
D454,367 S		3/2002	Ferrara	D19/48
D472,580 S	*	4/2003	Middleton et al.	D19/57

* cited by examiner

Primary Examiner—Martie K. Holtje

(74) *Attorney, Agent, or Firm*—Marshall, Gerstein & Borun

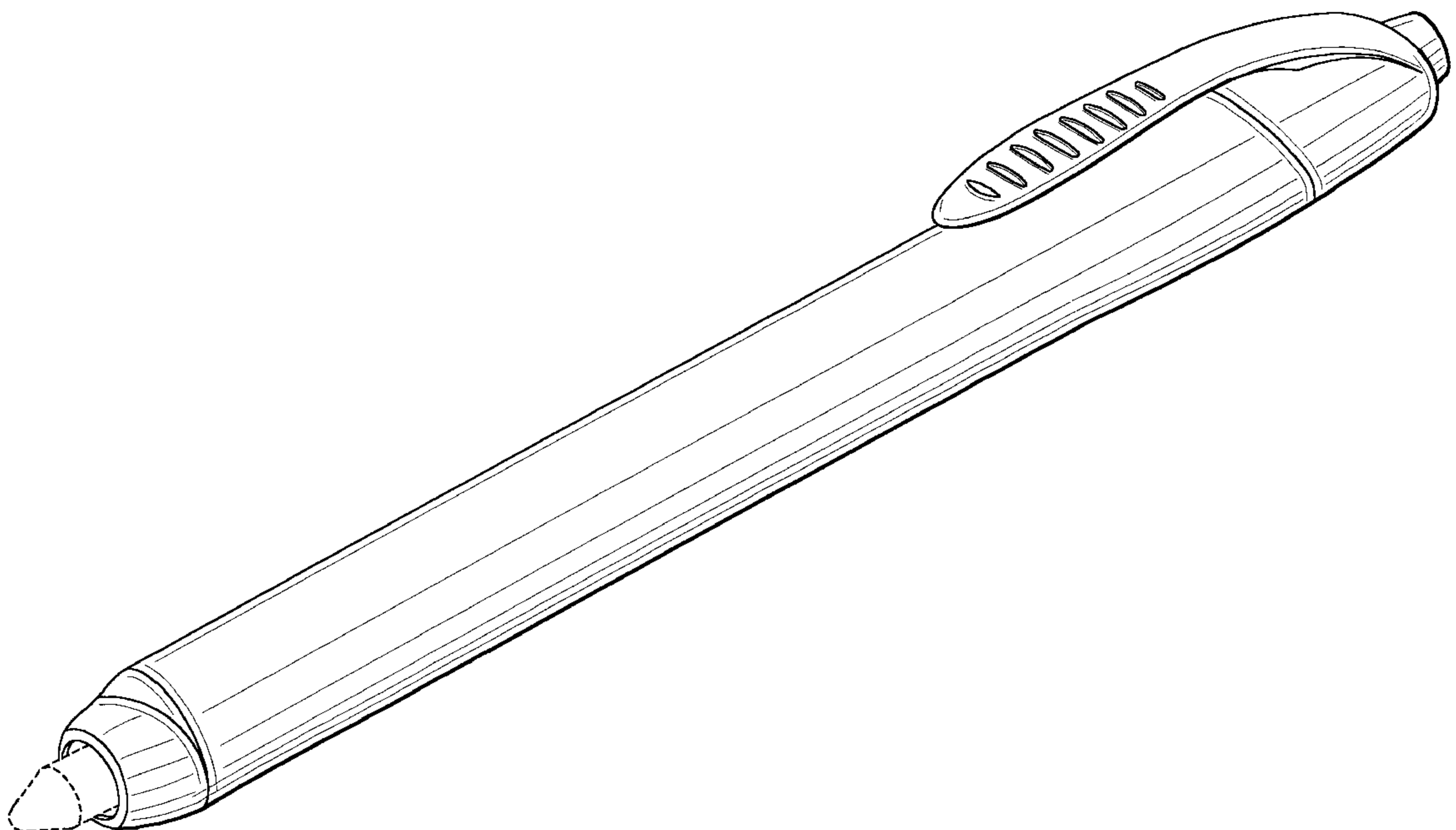
(57) **CLAIM**

The ornamental design for a “marker”, as shown and described.

DESCRIPTION

FIG. 1 is a perspective view taken from the front, side and below showing my new design;
 FIG. 2 is a front view thereof;
 FIG. 3 is a left side elevational view, the right side elevational view being a mirror image thereof;
 FIG. 4 is a rear view thereof;
 FIG. 5 is a bottom view thereof;
 FIG. 6 is a plan view thereof; and,
 FIG. 7 is a perspective view of FIG. 1 showing the marker with the retraction mechanism engaged, the writing tip depicted by means of broken lines being shown for illustrative purposes only and forming no part of the claimed design.

1 Claim, 4 Drawing Sheets



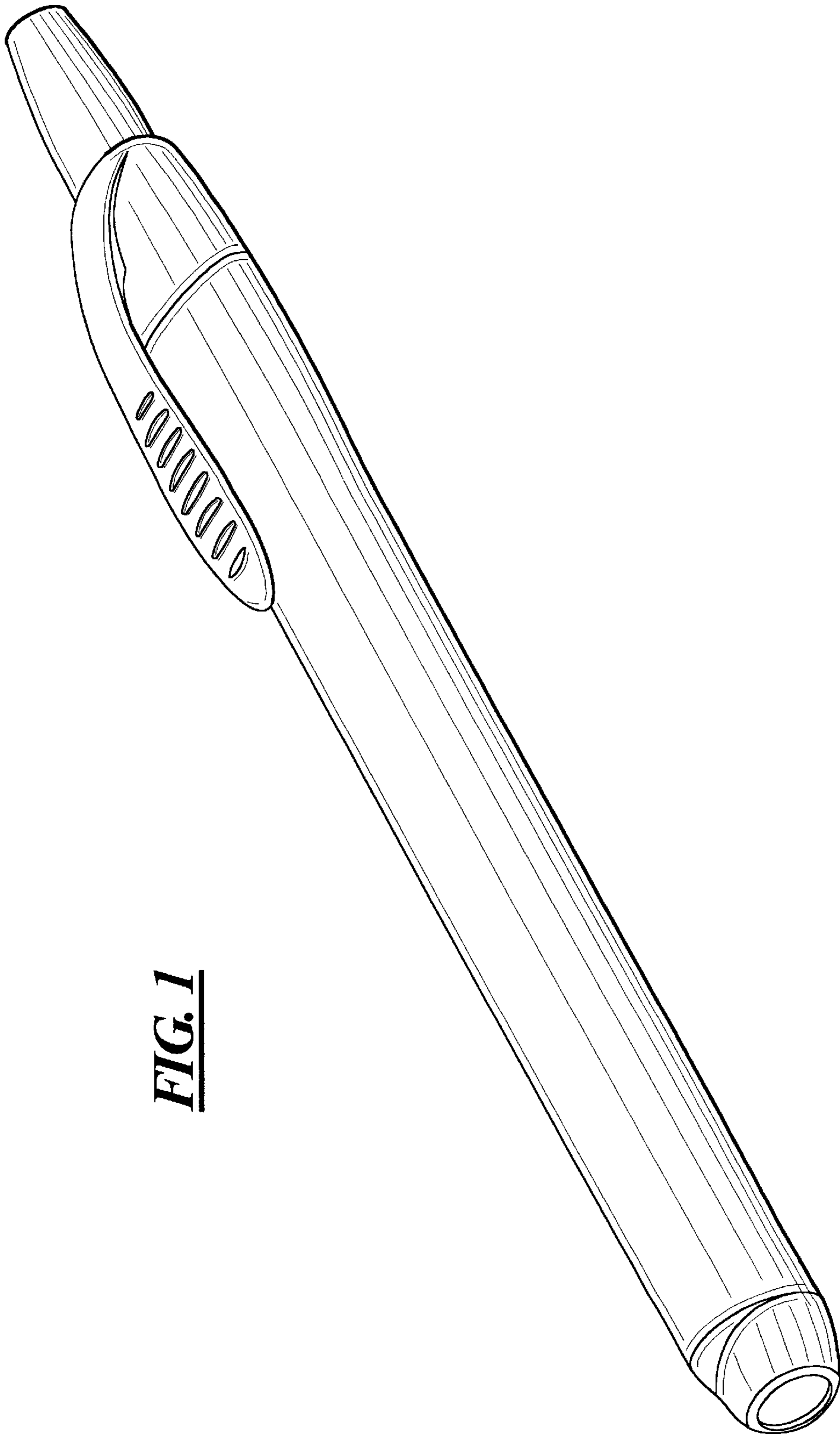


FIG. 1

FIG. 2

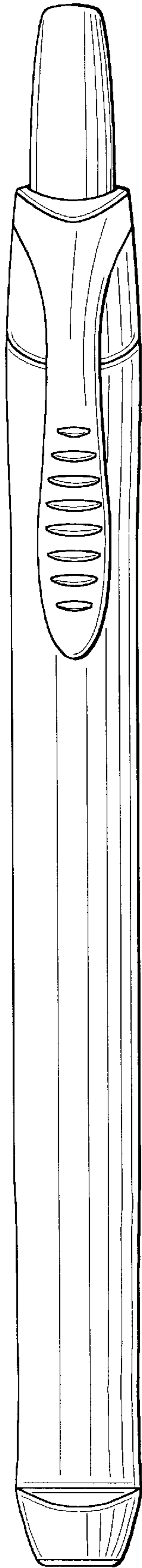


FIG. 3



FIG. 4

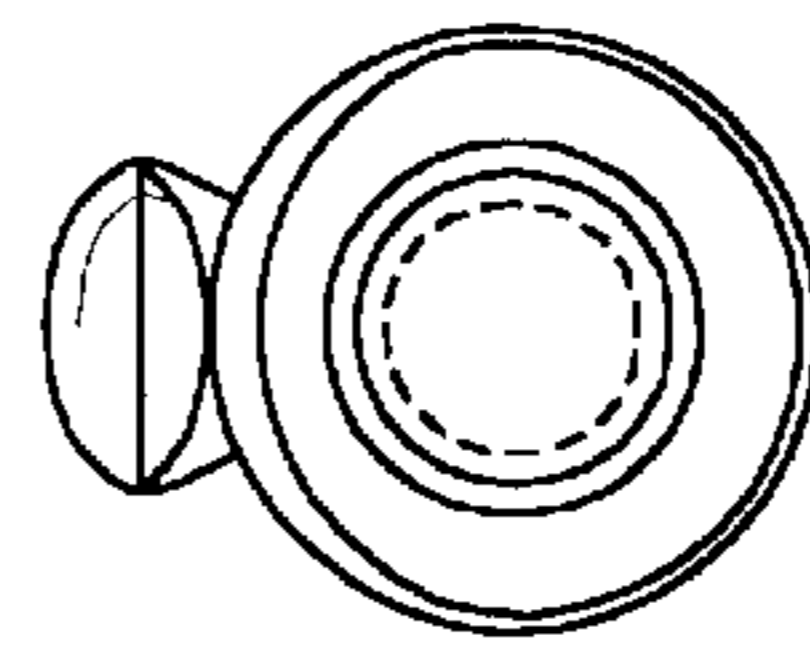
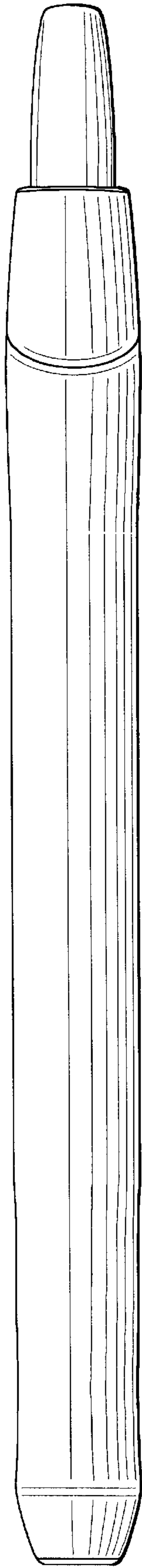


FIG. 5

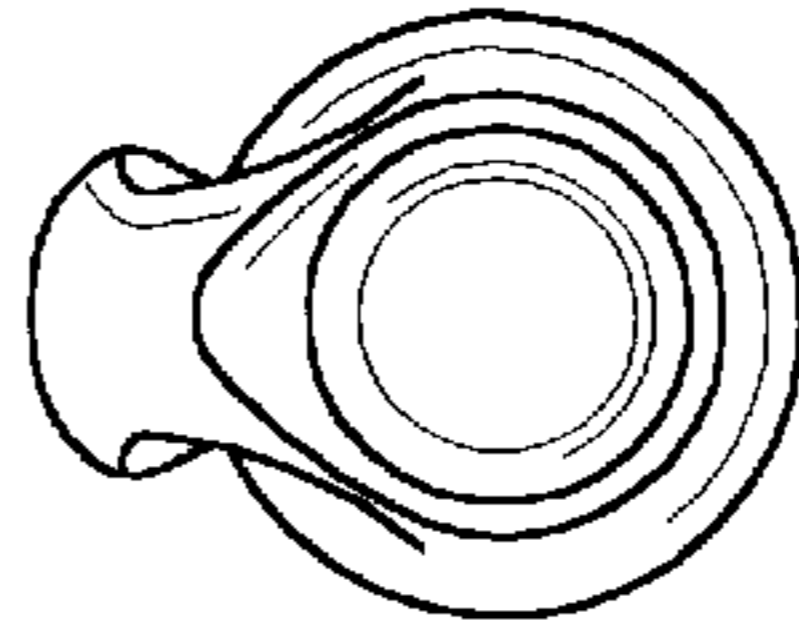


FIG. 6

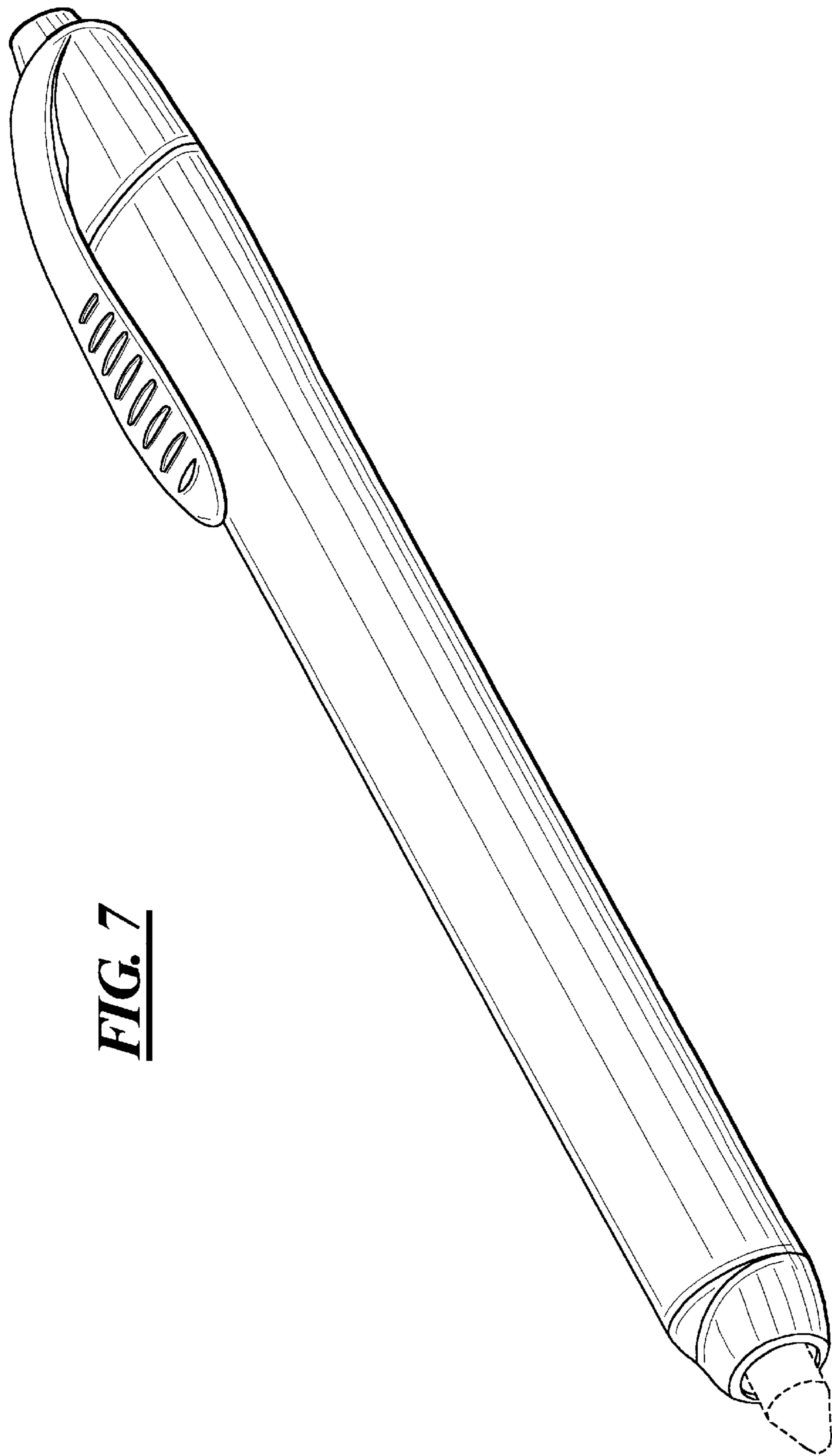


FIG. 7