



US00D490102S

(12) **United States Design Patent**
Umeyama et al.

(10) **Patent No.: US D490,102 S**

(45) **Date of Patent: ** May 18, 2004**

(54) **INK CARTRIDGE FOR PRINTER**

(75) Inventors: **Mikiya Umeyama, Tokyo (JP);
Nobuyuki Hatasa, Kawasaki (JP);
Yutaka Koizumi, Yokohama (JP)**

(73) Assignee: **Canon Kabushiki Kaisha, Tokyo (JP)**

(**) Term: **14 Years**

(21) Appl. No.: **29/167,506**

(22) Filed: **Sep. 17, 2002**

(30) **Foreign Application Priority Data**

Mar. 27, 2002 (JP) 2002-008034

(51) **LOC (7) Cl. 14-02**

(52) **U.S. Cl. D18/56; 347/86**

(58) **Field of Search D18/43, 56; 347/86,
347/87**

(56) **References Cited**

U.S. PATENT DOCUMENTS

D381,360 S * 7/1997 Kawai et al. D18/56
D390,259 S * 2/1998 Inoue et al. D18/56
D400,573 S * 11/1998 Inoue et al. D18/56

D418,156 S * 12/1999 Maeda D18/43

6,132,036 A * 10/2000 Abe et al. 347/86

D438,897 S * 3/2001 Hatasa et al. D18/56

D448,798 S * 10/2001 Shimizu et al. D18/56

D449,643 S * 10/2001 Hatasa et al. D18/56

* cited by examiner

Primary Examiner—Cathy Anne MacCormac

(74) *Attorney, Agent, or Firm*—Fitzpatrick, Cella, Harper & Scinto

(57) **CLAIM**

The ornamental design for an ink cartridge for printer, as shown and described.

DESCRIPTION

FIG. 1 is a front view of an ink cartridge for printer showing our new design;

FIG. 2 is a rear view thereof;

FIG. 3 is a top plan view thereof;

FIG. 4 is a bottom plan view thereof;

FIG. 5 is a left side view thereof;

FIG. 6 is a right side view thereof; and,

FIG. 7 is a perspective view thereof.

1 Claim, 4 Drawing Sheets

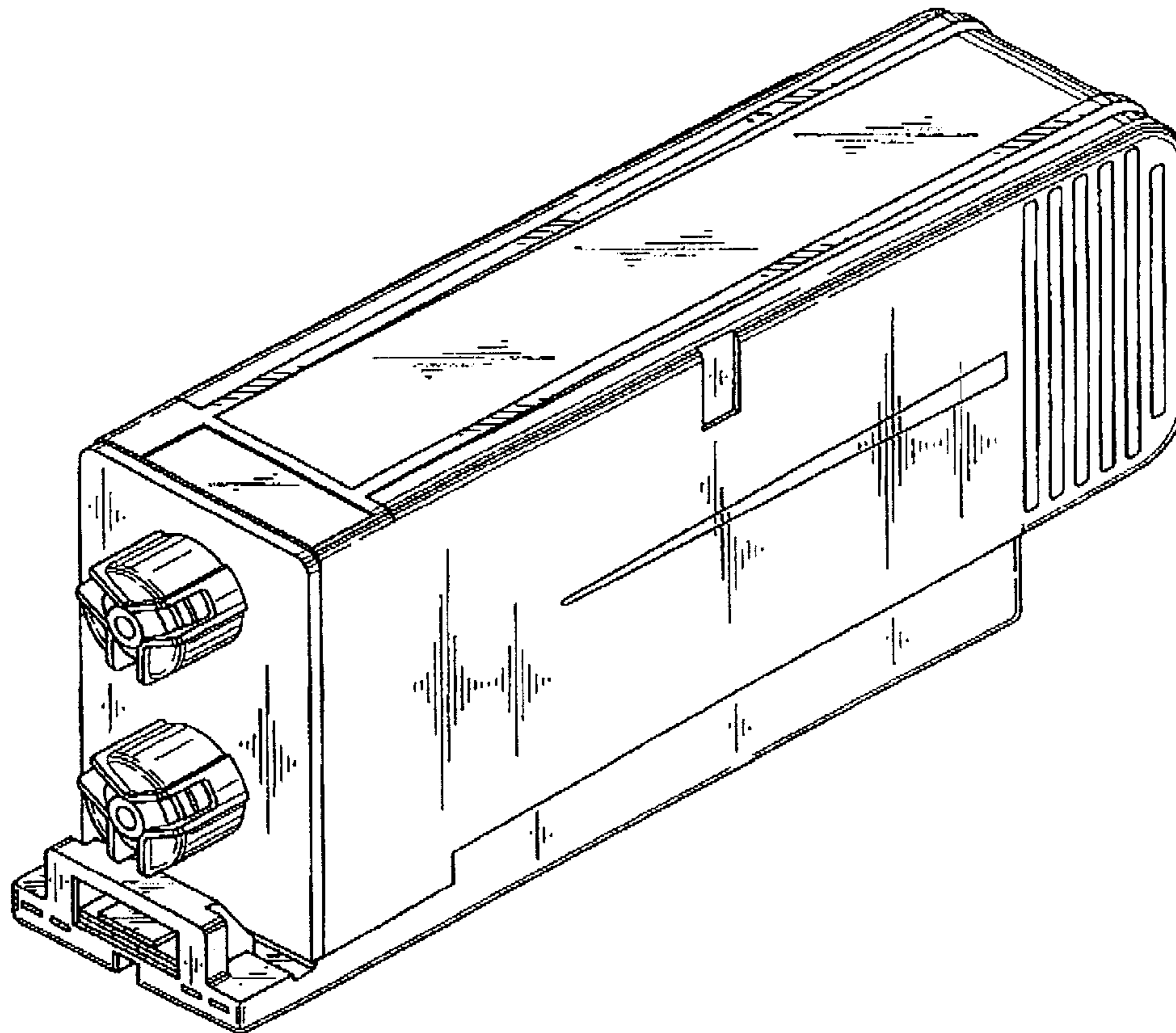


FIG. 1

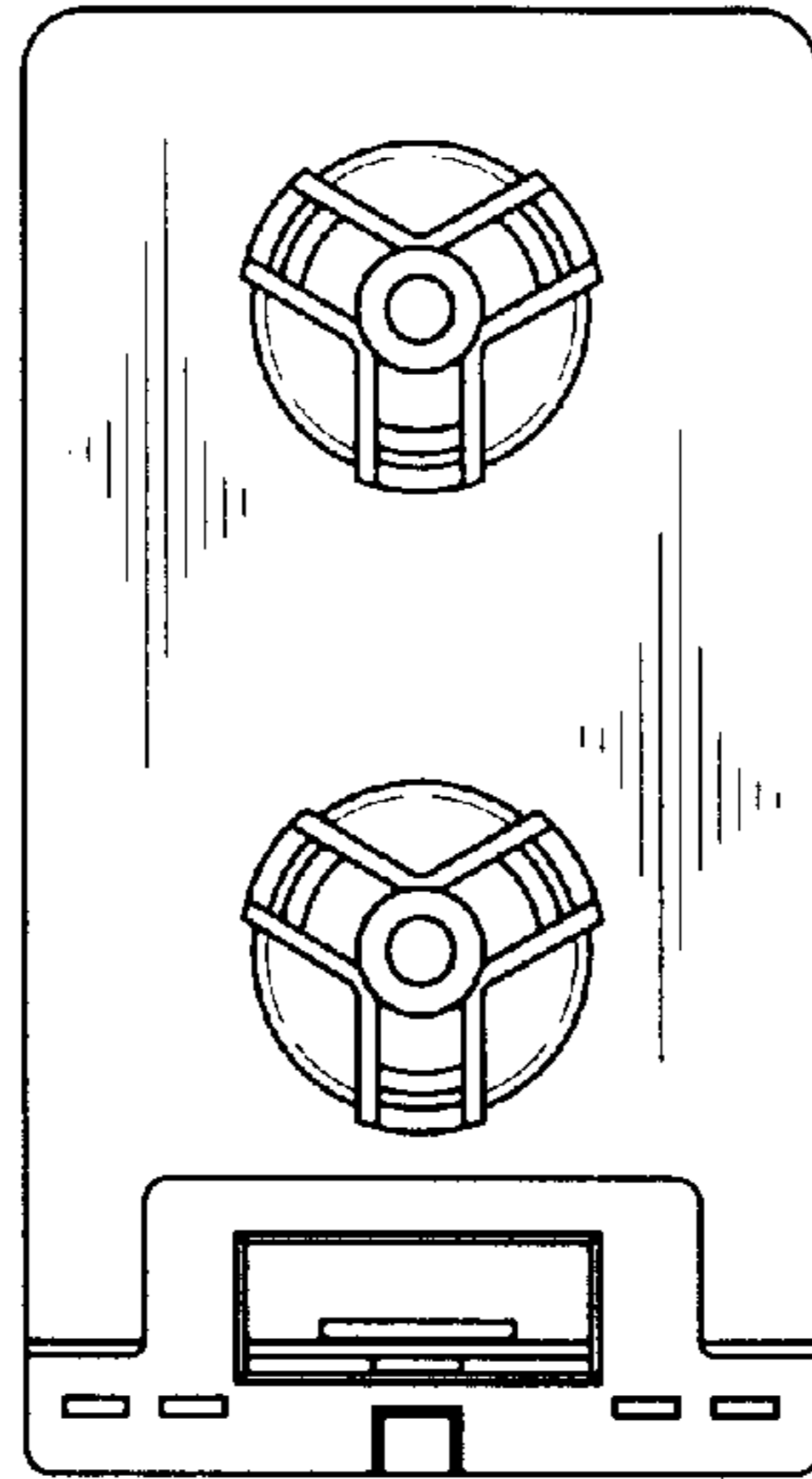


FIG. 2

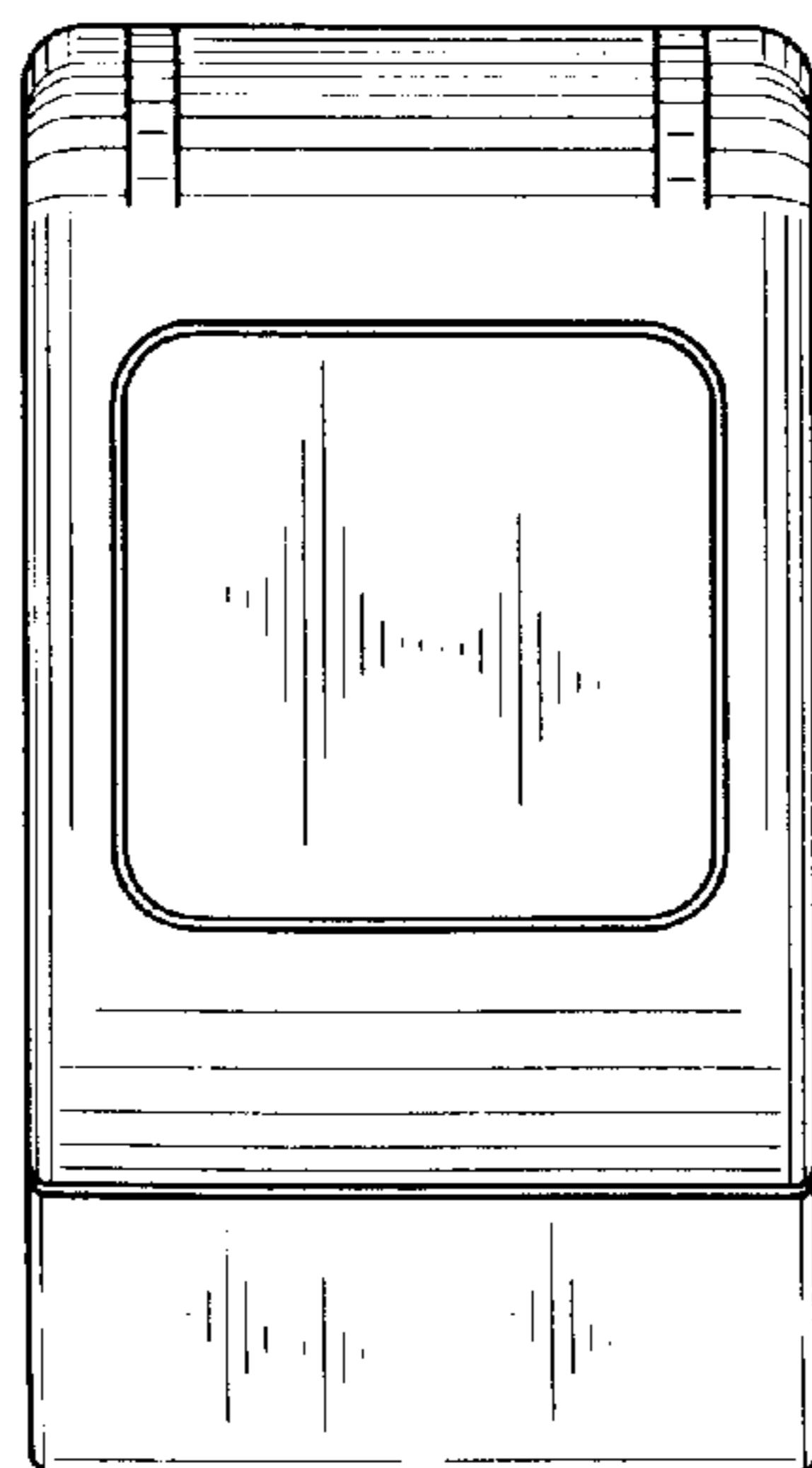


FIG. 3

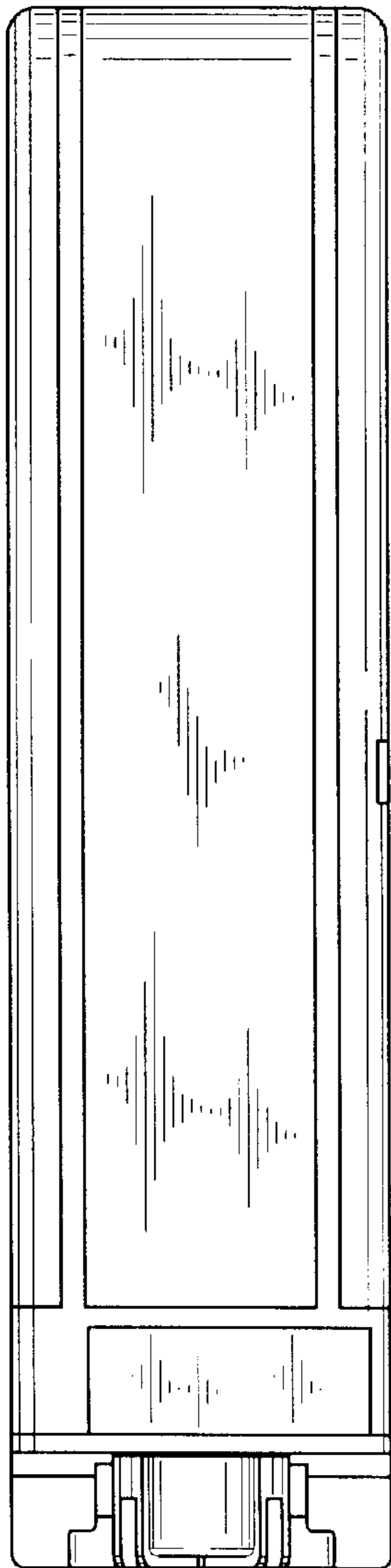


FIG. 4

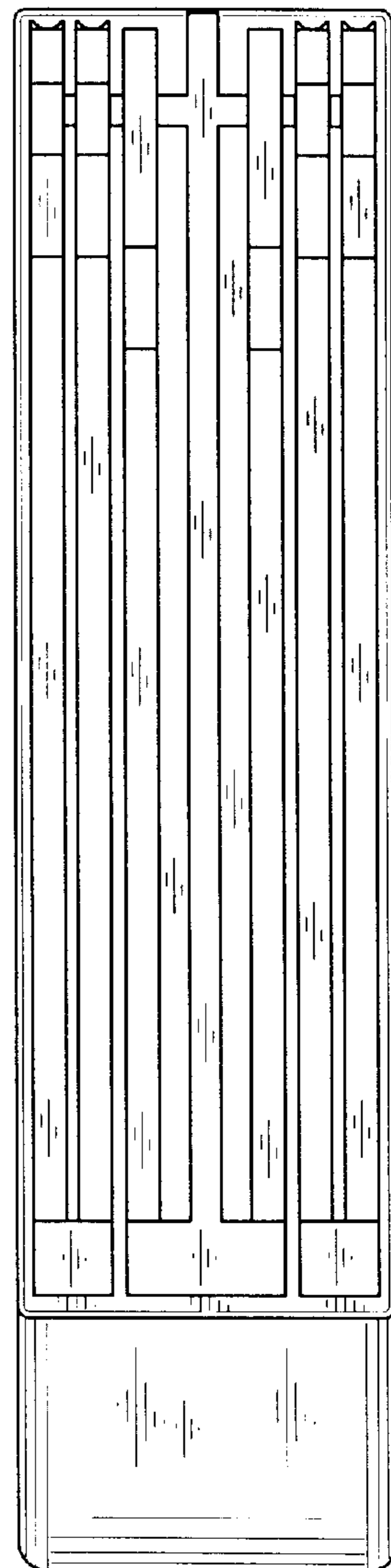


FIG. 5

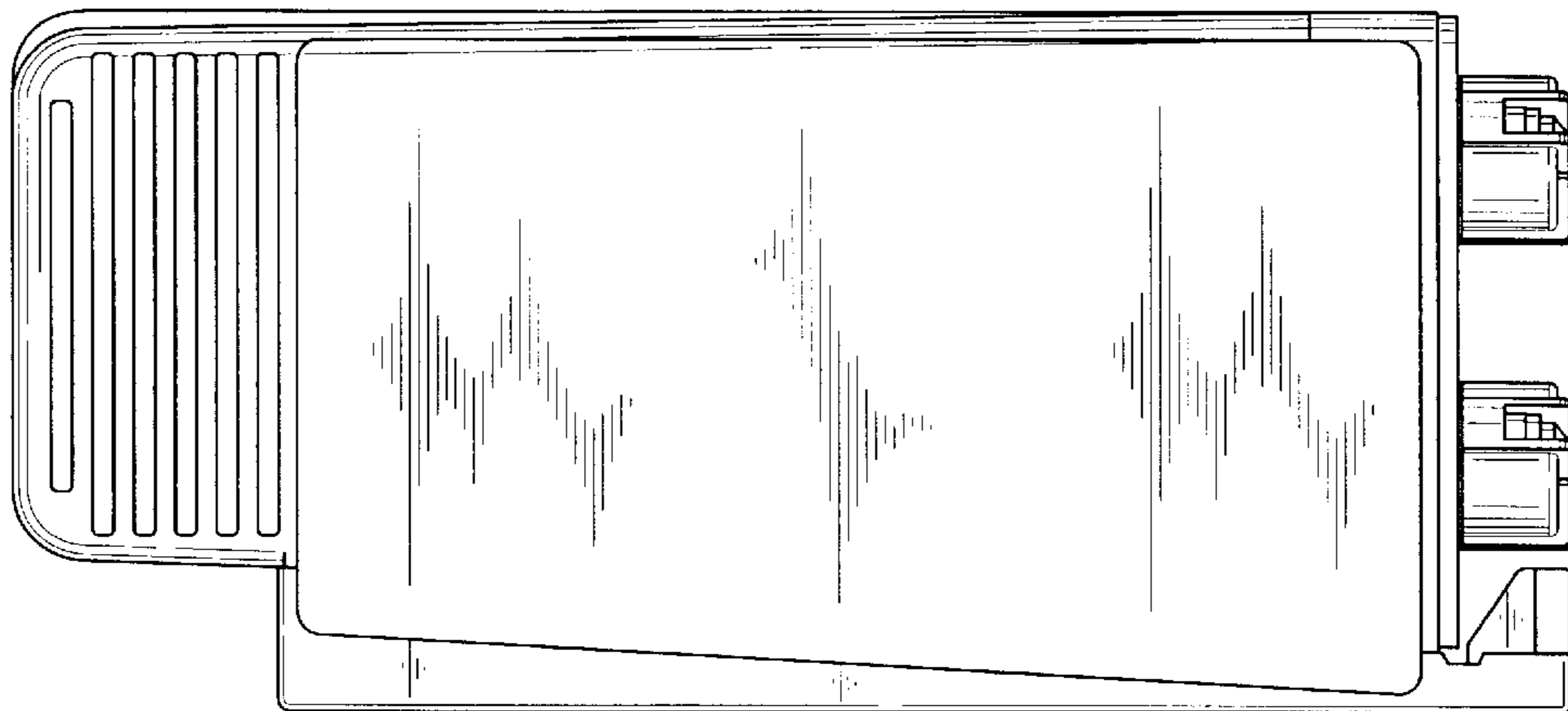


FIG. 6

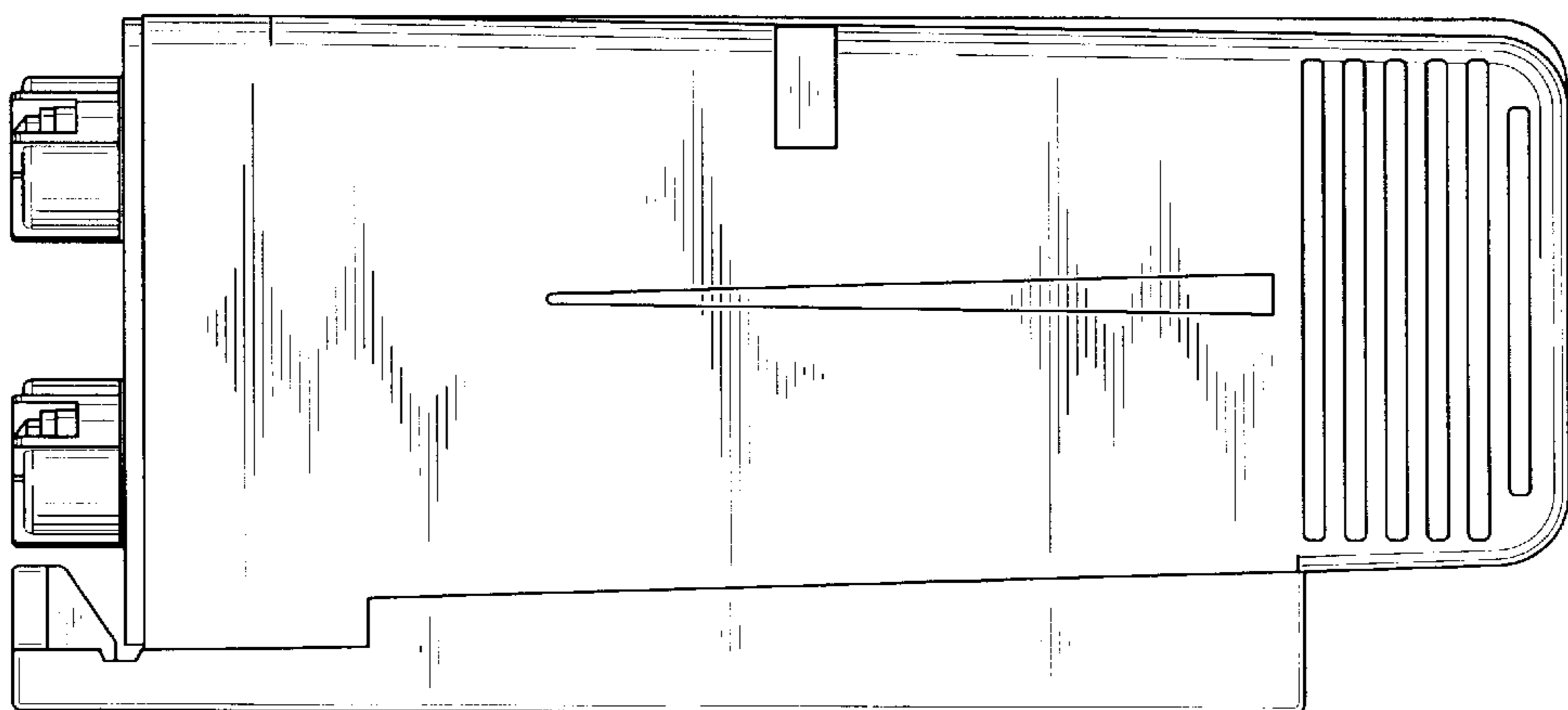


FIG. 7

