



US00D490098S

(12) **United States Design Patent**
Martres et al.

(10) **Patent No.:** **US D490,098 S**

(45) **Date of Patent:** **** May 18, 2004**

(54) **CAMERA**

(75) **Inventors:** **Eduardo Walter Martres**, Greely, CO (US); **Oscar Enrique Pena Angarita**, London (GB)

(73) **Assignee:** **Hewlett-Packard Development Company, L.P.**, Houston, TX (US)

(**) **Term:** **14 Years**

(21) **Appl. No.:** **29/189,008**

(22) **Filed:** **Aug. 26, 2003**

(51) **LOC (7) Cl.** **16-01**

(52) **U.S. Cl.** **D16/218; D16/202**

(58) **Field of Search** **D16/200-206, D16/208, 218; 348/373-376; 358/909.1; 396/535-541**

(56) **References Cited**

U.S. PATENT DOCUMENTS

D402,301 S * 12/1998 Sekine D16/202

D433,693 S * 11/2000 Kobayashi D16/202
D474,793 S * 5/2003 Yoshida D16/202
D481,052 S * 10/2003 Ogura D16/202
D484,162 S * 12/2003 Moore et al. D16/218

* cited by examiner

Primary Examiner—Adir Aronovich

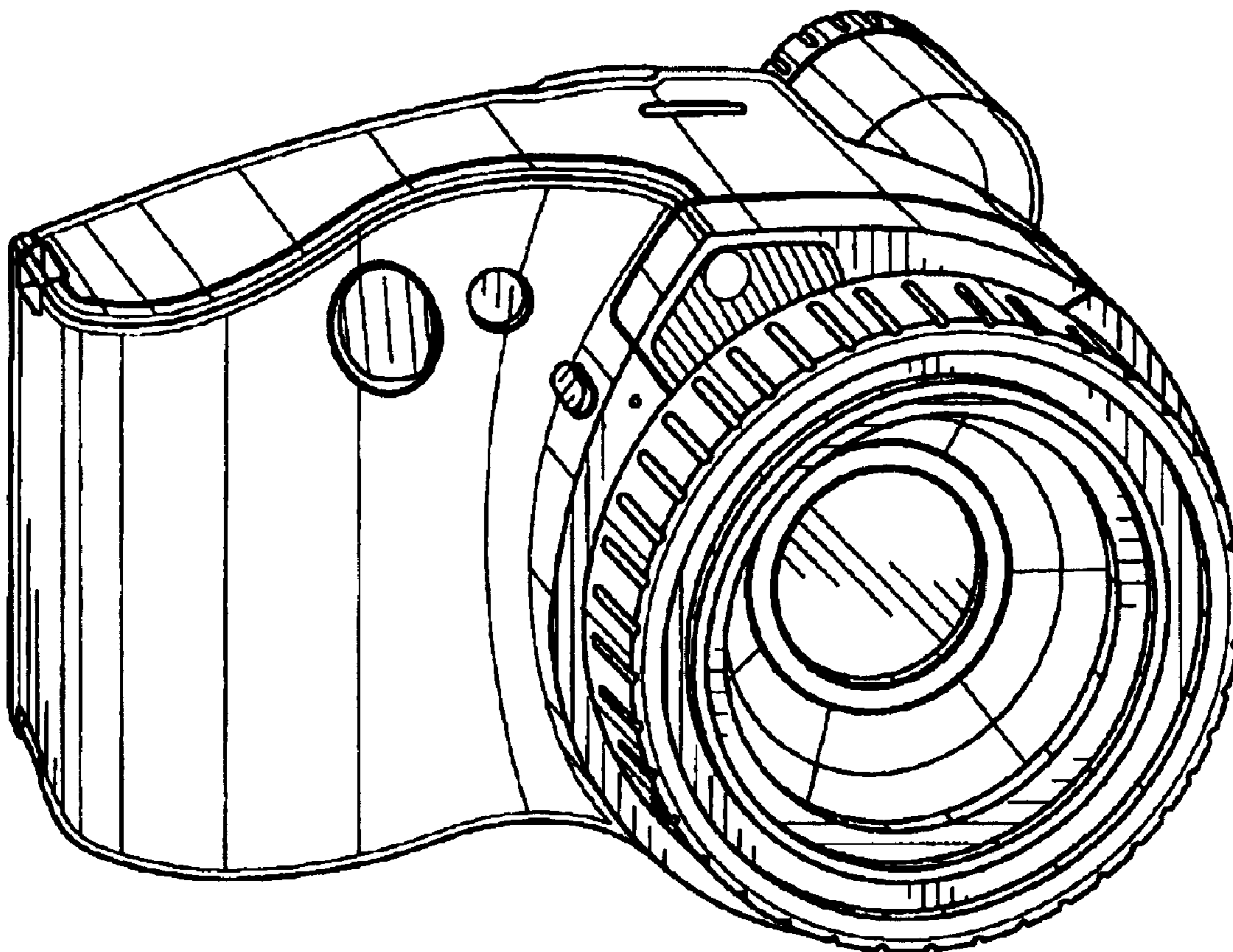
(57) **CLAIM**

The ornamental design of a camera, as shown and described.

DESCRIPTION

FIG. 1 is a perspective view showing our new camera;
FIG. 2 is a reduced left side view thereof;
FIG. 3 is a front elevational view thereof;
FIG. 4 is a right side view thereof;
FIG. 5 is a rear elevational view thereof; and
FIG. 6 is a top plan view thereof; and,
FIG. 7 is a bottom plan view thereof.

1 Claim, 2 Drawing Sheets



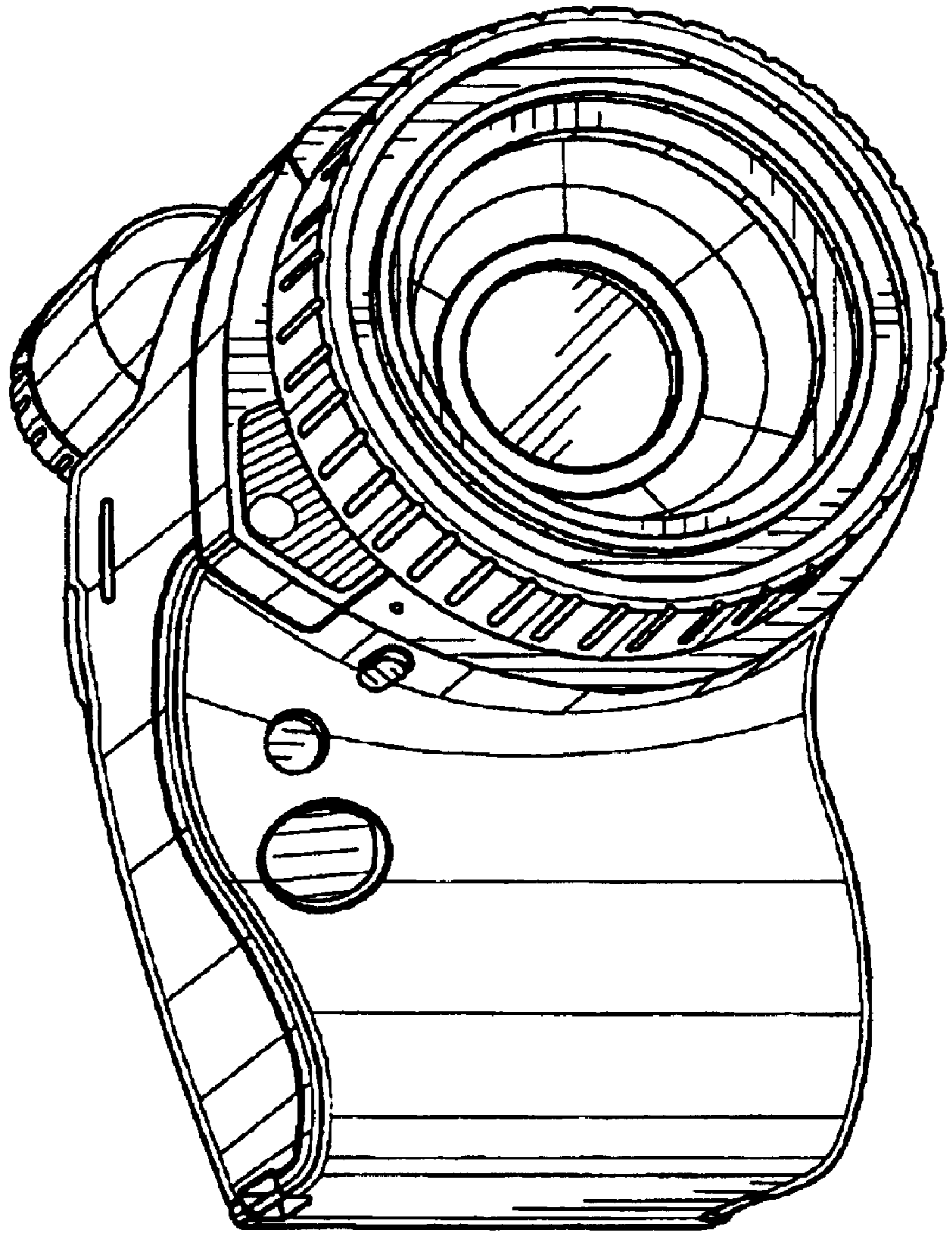


FIG. 1

FIG.2

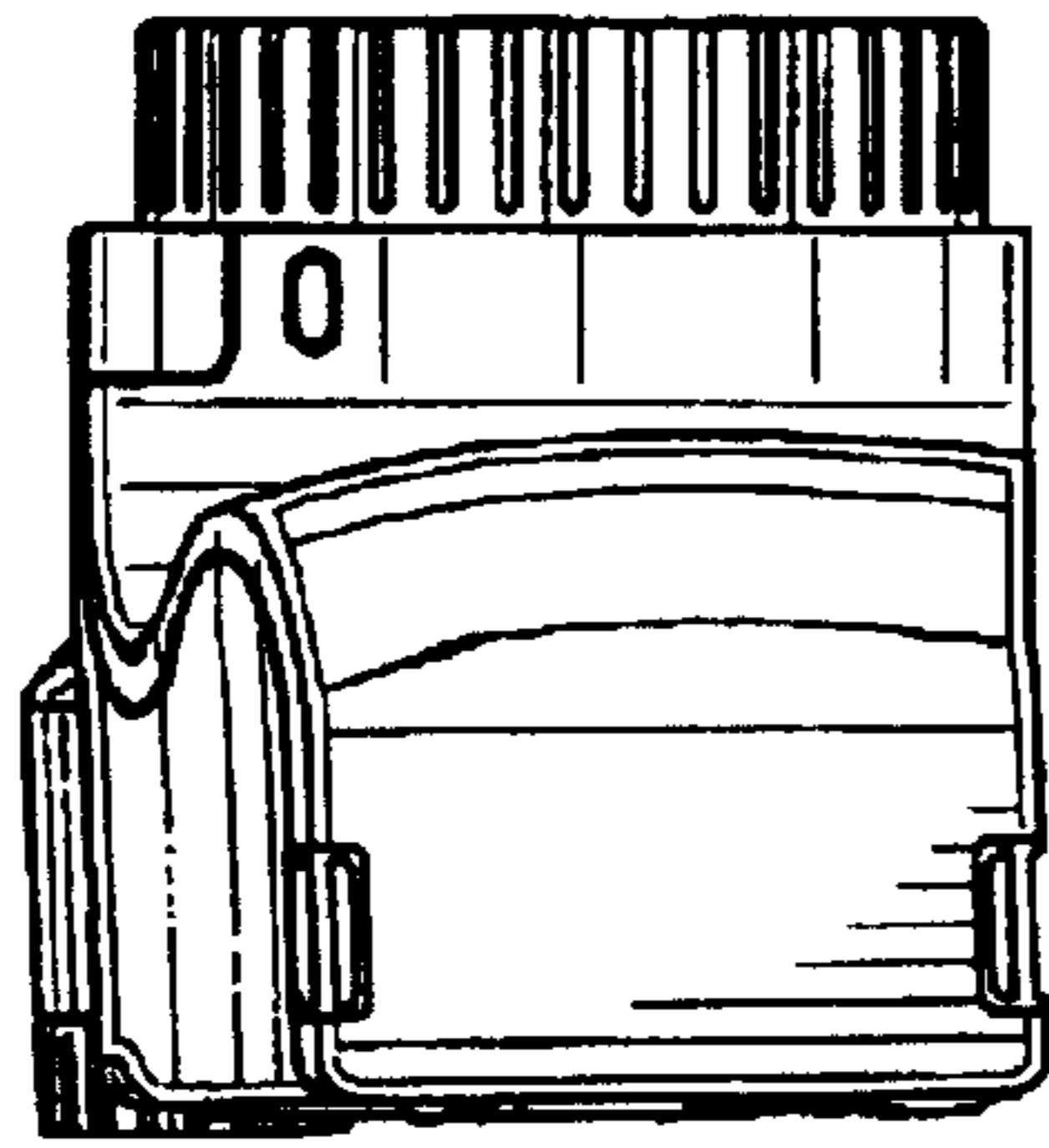


FIG.3

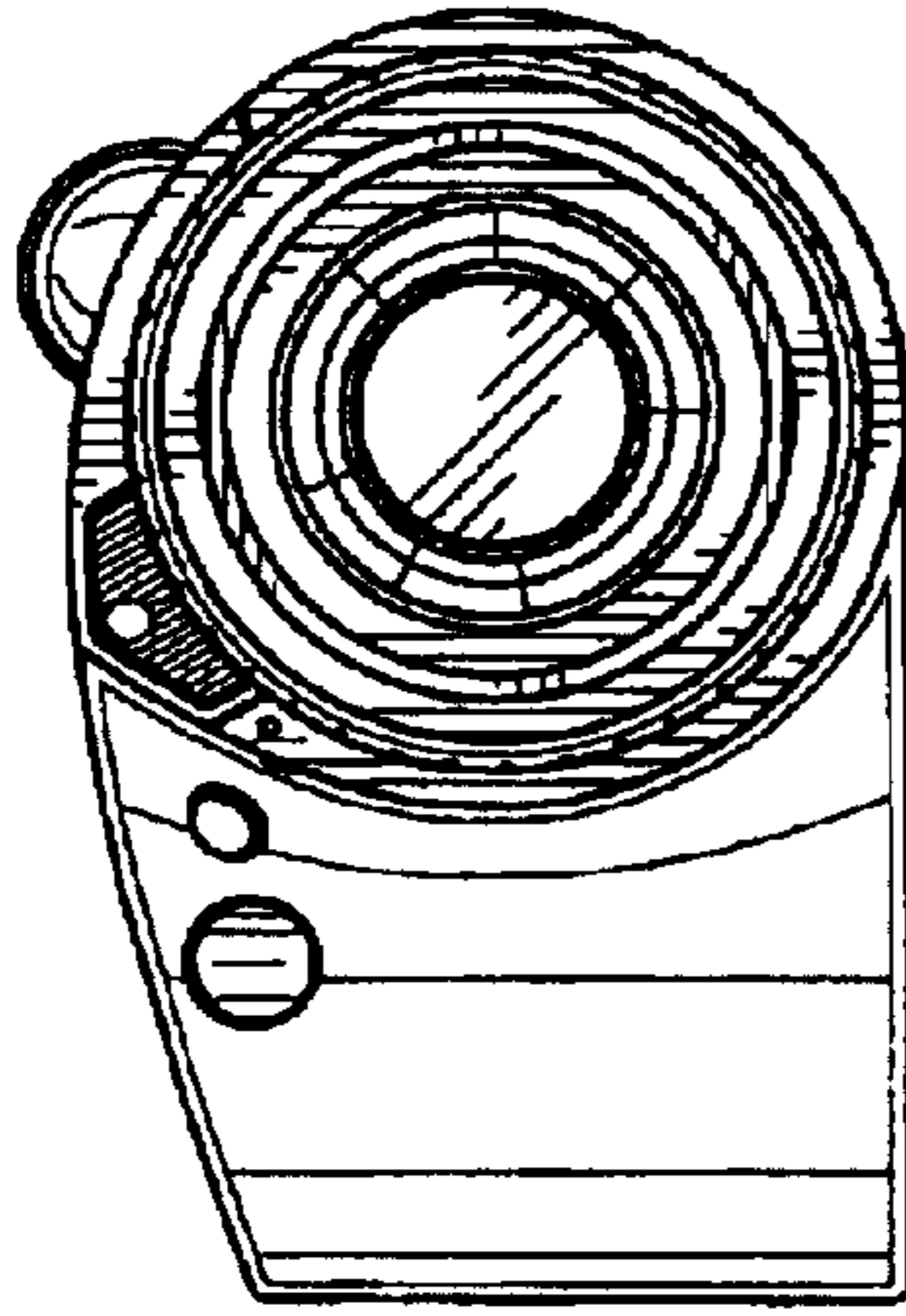


FIG.4

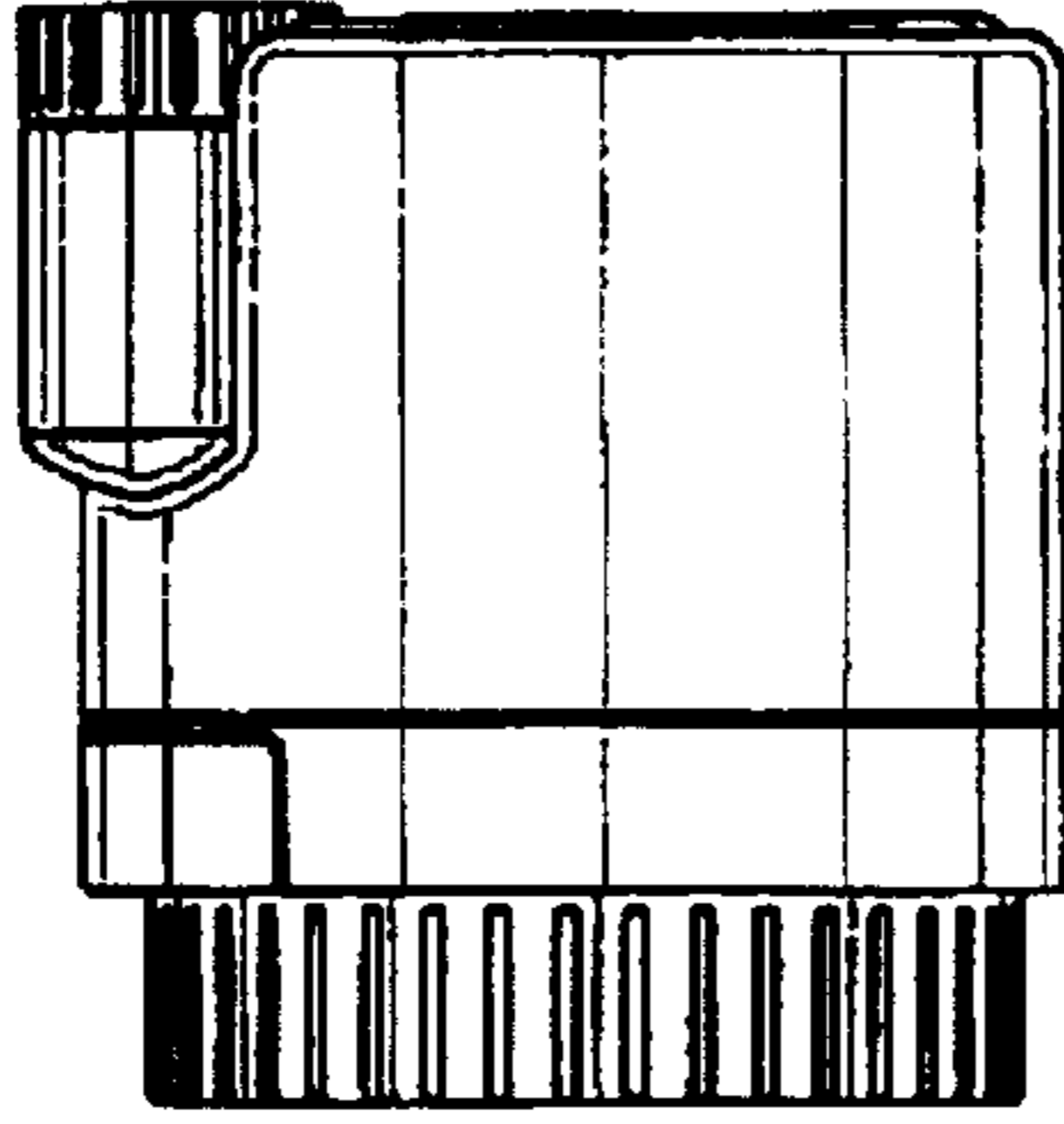


FIG.5

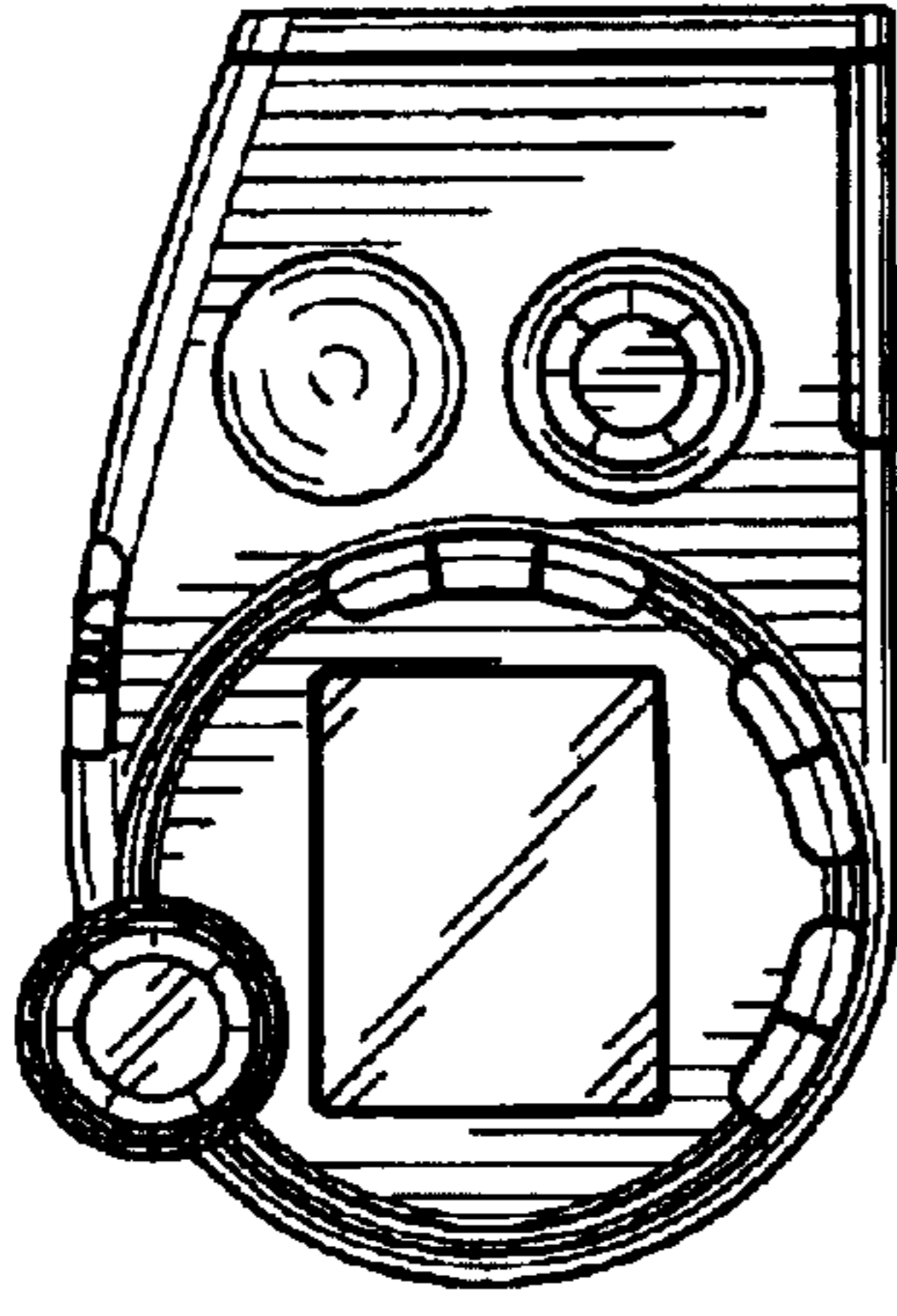


FIG.6

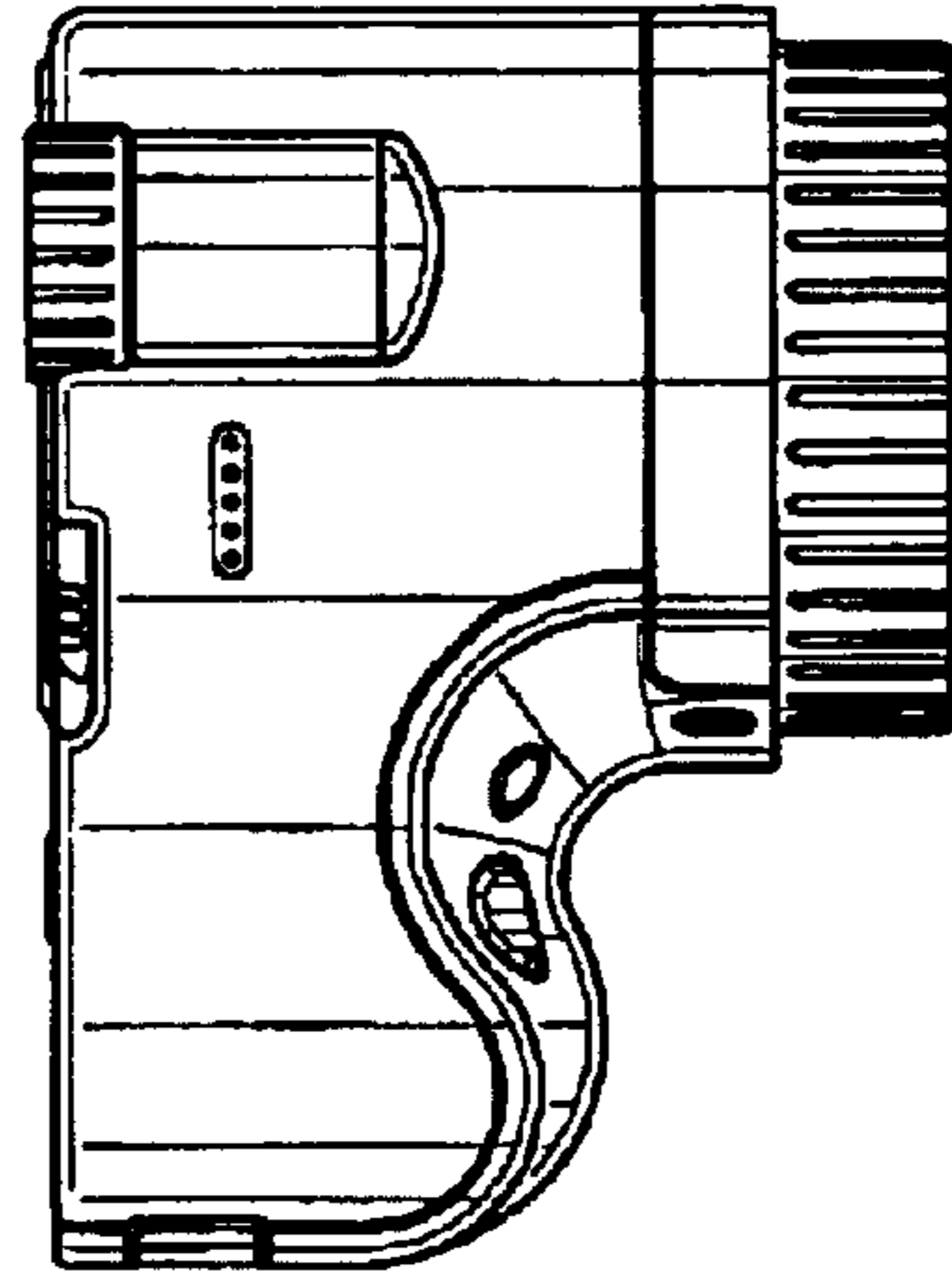


FIG.7

