



US00D490097S

(12) **United States Design Patent**
Regan et al.

(10) **Patent No.:** **US D490,097 S**

(45) **Date of Patent:** **** May 18, 2004**

(54) **COMPACT SPOTTING SCOPE**

(75) Inventors: **Rick R. Regan**, Aloha, OR (US);
Rodney H. Otteman, Aloha, OR (US);
Erik R. Halverson, Salem, OR (US)

(73) Assignee: **Leupold & Stevens, Inc.**, Beaverton,
OR (US)

(**) Term: **14 Years**

(21) Appl. No.: **29/180,735**

(22) Filed: **Apr. 28, 2003**

(51) **LOC (7) Cl.** **16-06**

(52) **U.S. Cl.** **D16/132**

(58) **Field of Search** D16/130, 132;
359/399, 422, 784, 825, 826, 426, 429,
831, 835

(56) **References Cited**

U.S. PATENT DOCUMENTS

D165,231 S	*	11/1951	Kieffer, III et al.	D16/132
D215,355 S	*	9/1969	Uldatherby	D16/132
D219,623 S	*	12/1970	Bushnell	D16/132
D247,625 S	*	3/1978	Huckenbeck	D16/132
D272,916 S	*	3/1984	Tomatsuri et al.	D16/132
D285,698 S	*	9/1986	Ogasawara	D16/132
D288,210 S	*	2/1987	Mise	D16/132
4,669,833 A		6/1987	Mise	350/558
D347,441 S		5/1994	Lutter et al.	D16/132
D395,440 S		6/1998	Ogasawara et al.	D16/132
D439,259 S		3/2001	Yamaguchi	D16/132

OTHER PUBLICATIONS

American Technologies Network Corporation, NightStorm Waterproof Night Vision Diving Scope, http://www.southwestweapons.com/atn_nightstormyellow.html, visited Feb. 18, 2003.

Burriss Optics, Spotting Scopes, <http://www.burrissoptics.com/spottingscope.html>, visited Feb. 18, 2003.

* cited by examiner

Primary Examiner—Paula A. Mortimer

(74) *Attorney, Agent, or Firm*—Stoel Rives LLP

(57) **CLAIM**

We claim the ornamental design for a compact spotting scope, as shown and described.

DESCRIPTION

U.S. Utility Patent Application titled Compact Spotting Scope With Side Focus Control, filed concurrently under Ser. No. 10/425,057.

FIG. 1 is a perspective view of a compact spotting scope in accordance with a first embodiment;

FIG. 2 is an objective end elevation view of the compact spotting scope of FIG. 1;

FIG. 3 is an eyepiece end elevation view of the compact spotting scope of FIG. 1, in which dashed lines indicate environmental features of surface indicia near the eyepiece end of the compact spotting scope;

FIG. 4 is a top plan view of the compact spotting scope of FIG. 1;

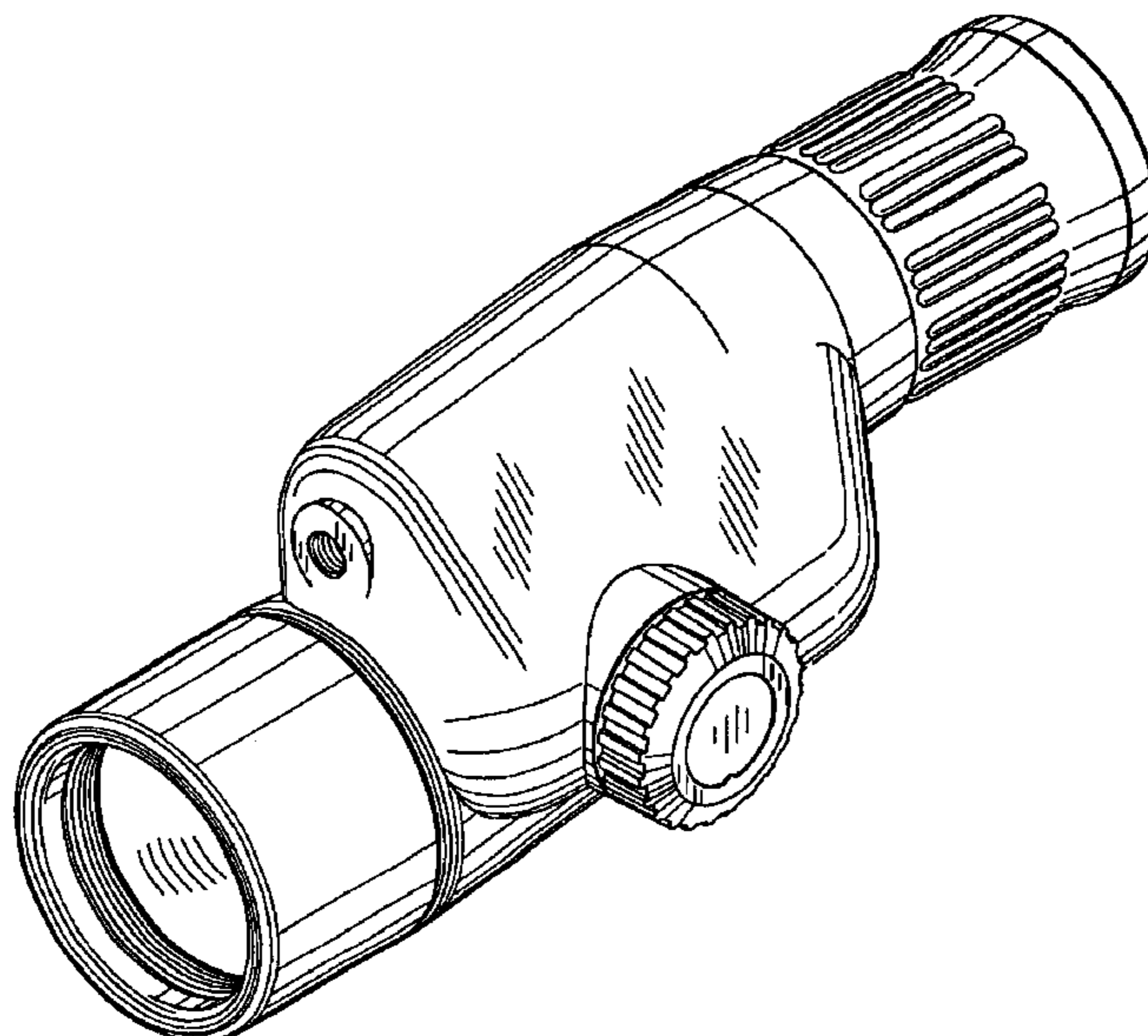
FIG. 5 is a left side elevation view of the compact spotting scope of FIG. 1;

FIG. 6 is a bottom plan view of the compact spotting scope of FIG. 1; and,

FIG. 7 is a right side elevation view of the compact spotting scope of FIG. 1.

In FIGS. 1–7, the dashed lines indicate environmental features that form no part of the embodiments of the invention.

1 Claim, 2 Drawing Sheets



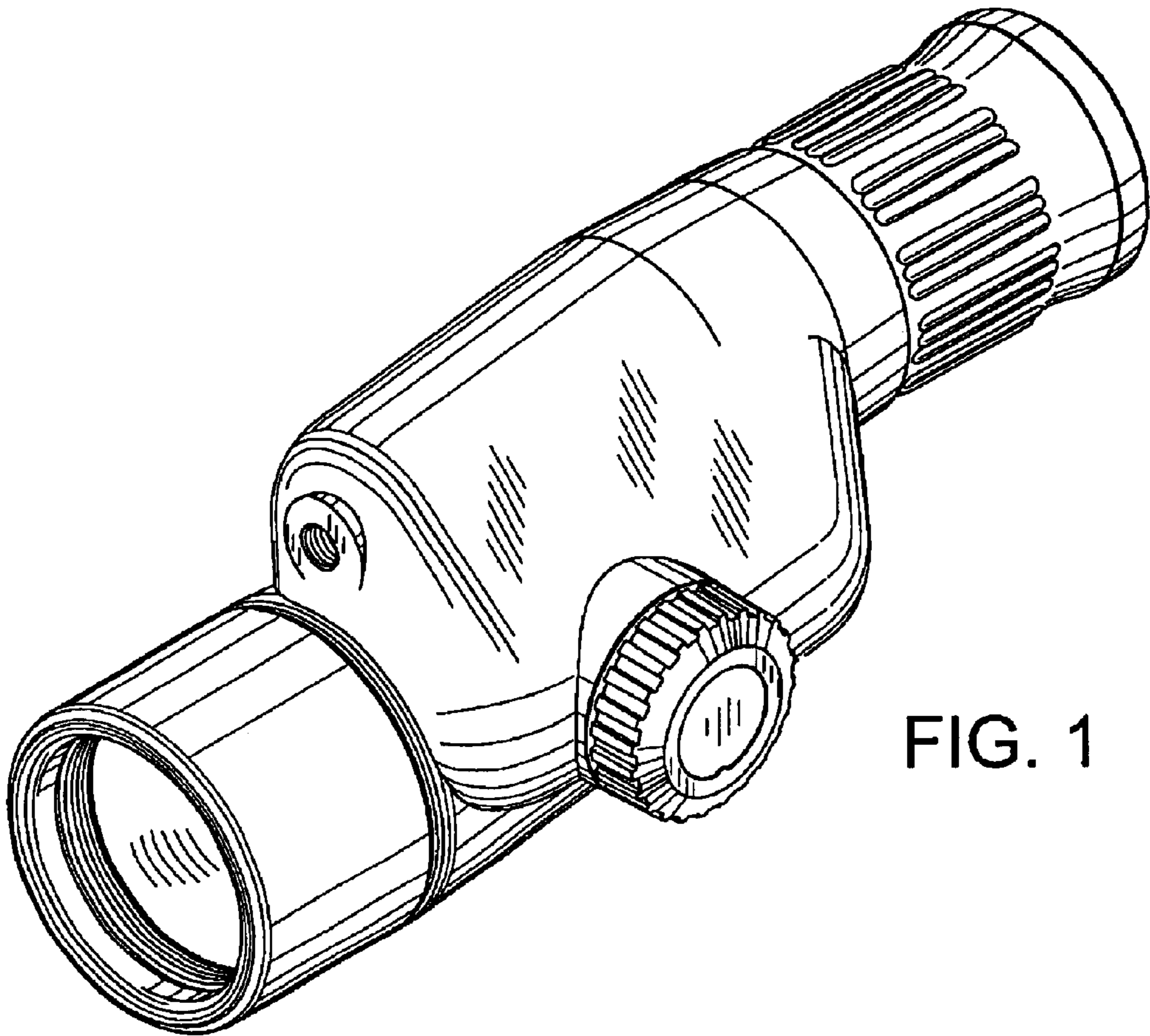


FIG. 1

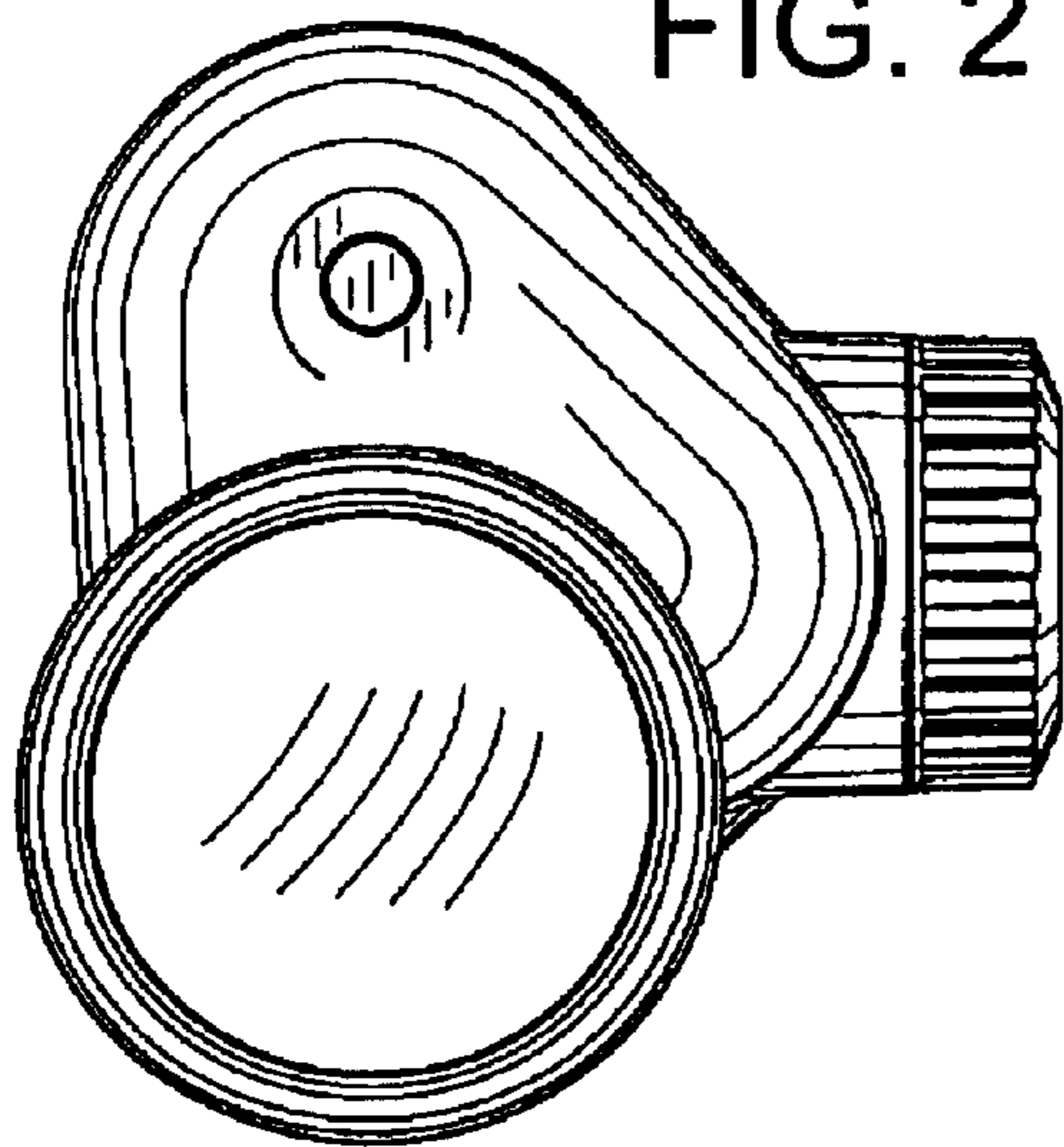


FIG. 2

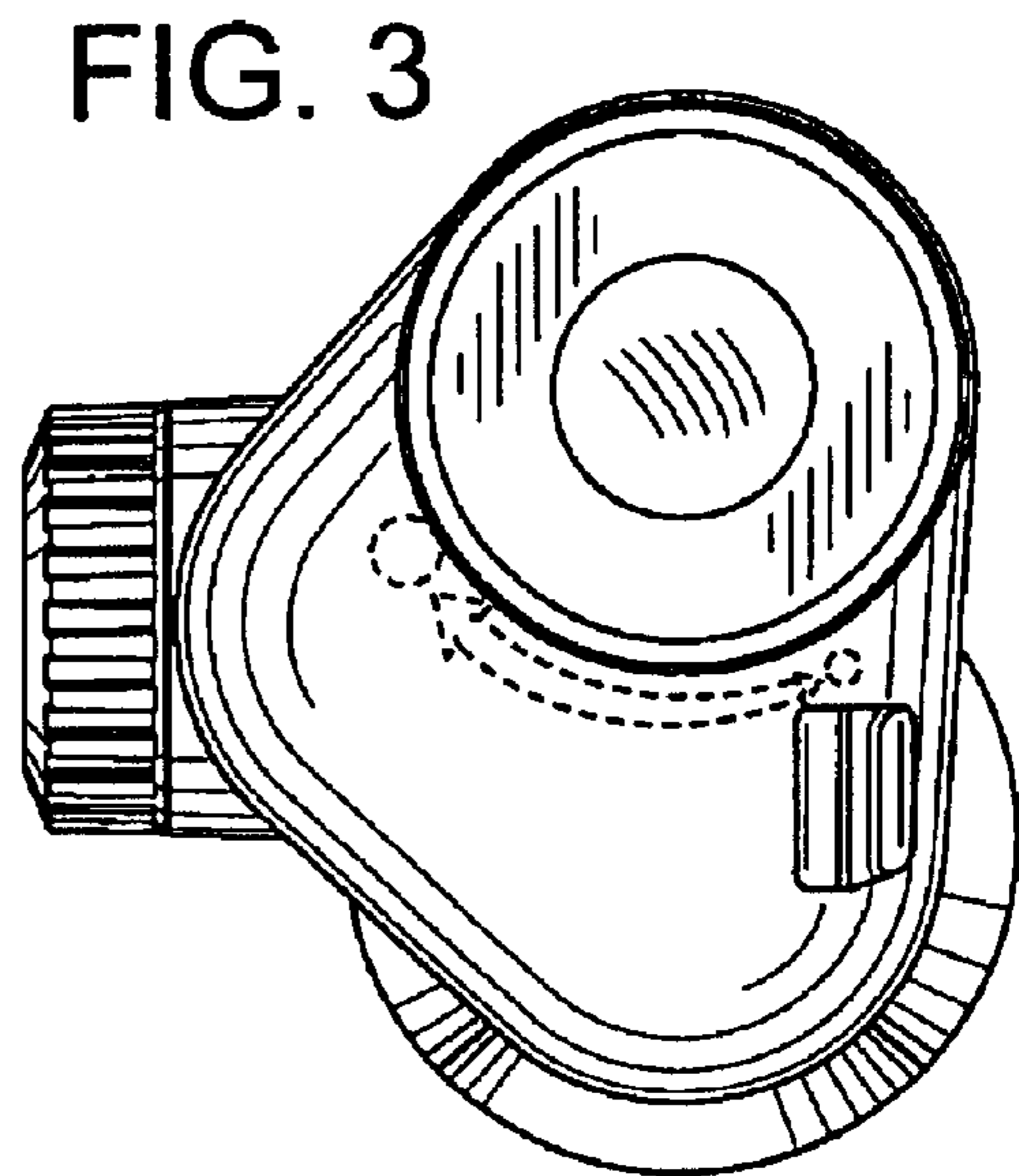


FIG. 3

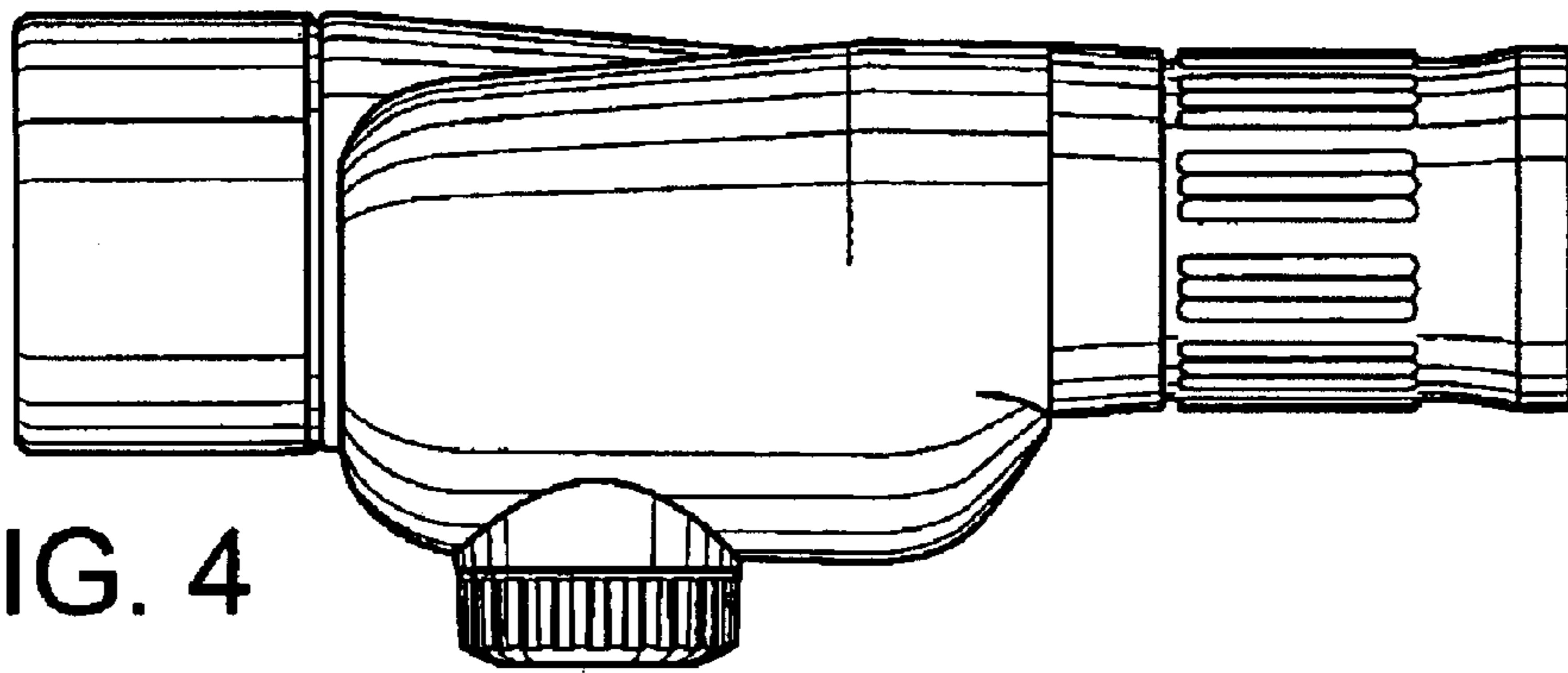


FIG. 4

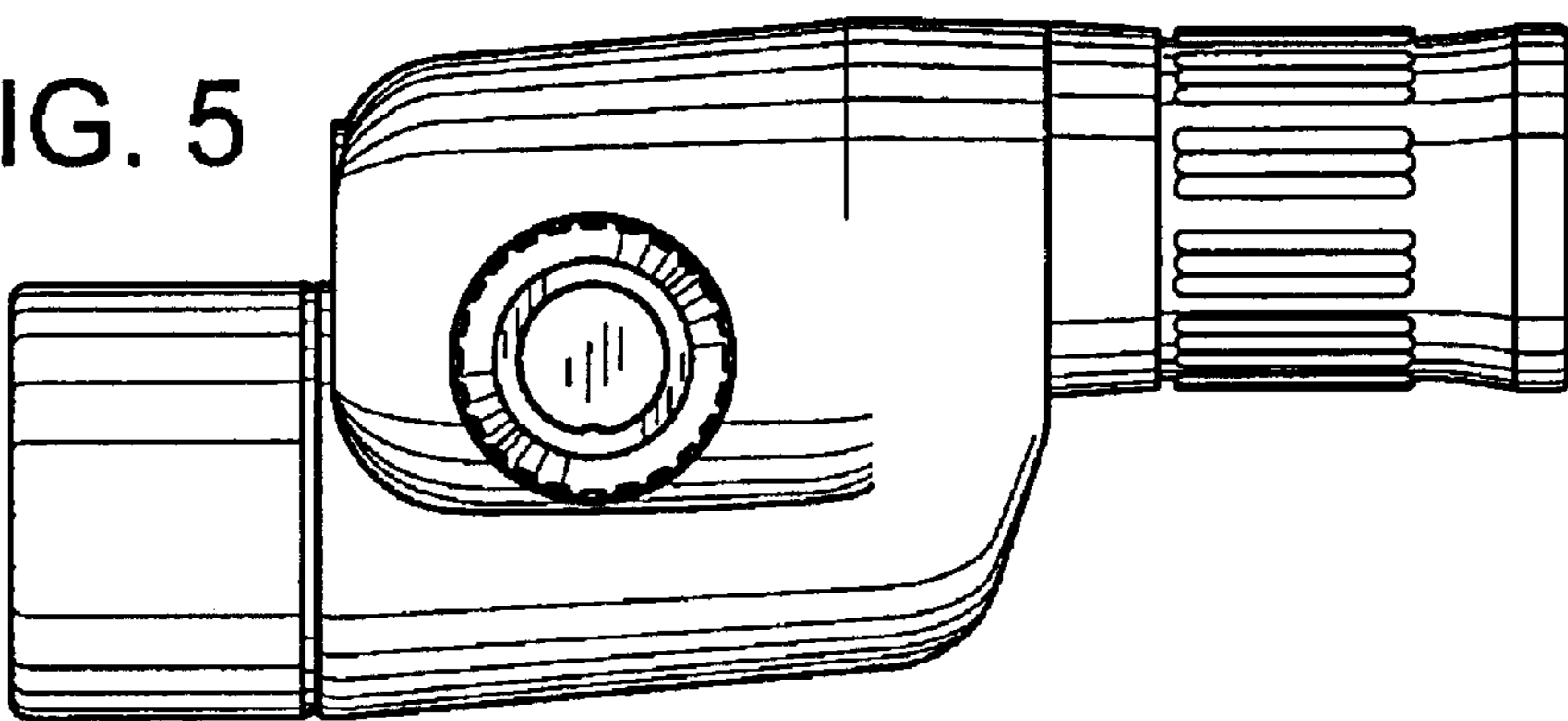


FIG. 5

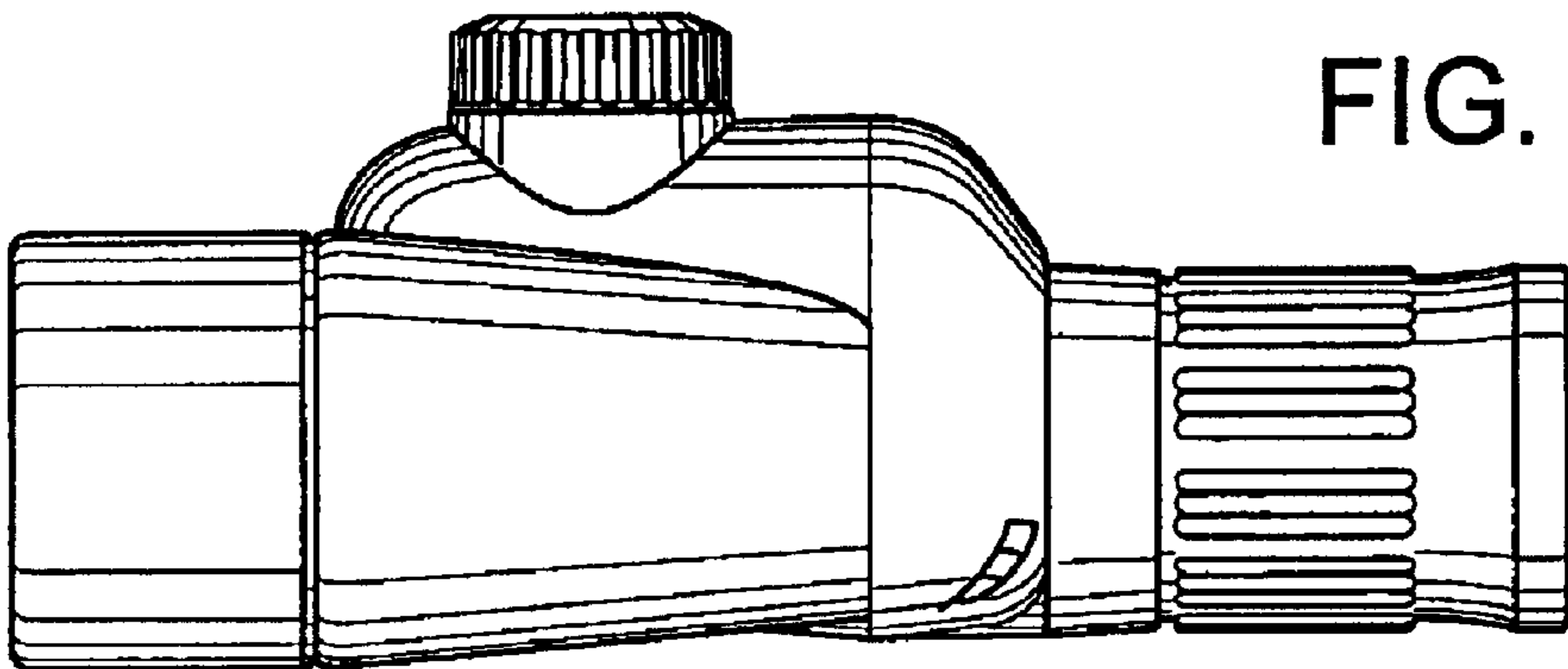


FIG. 6

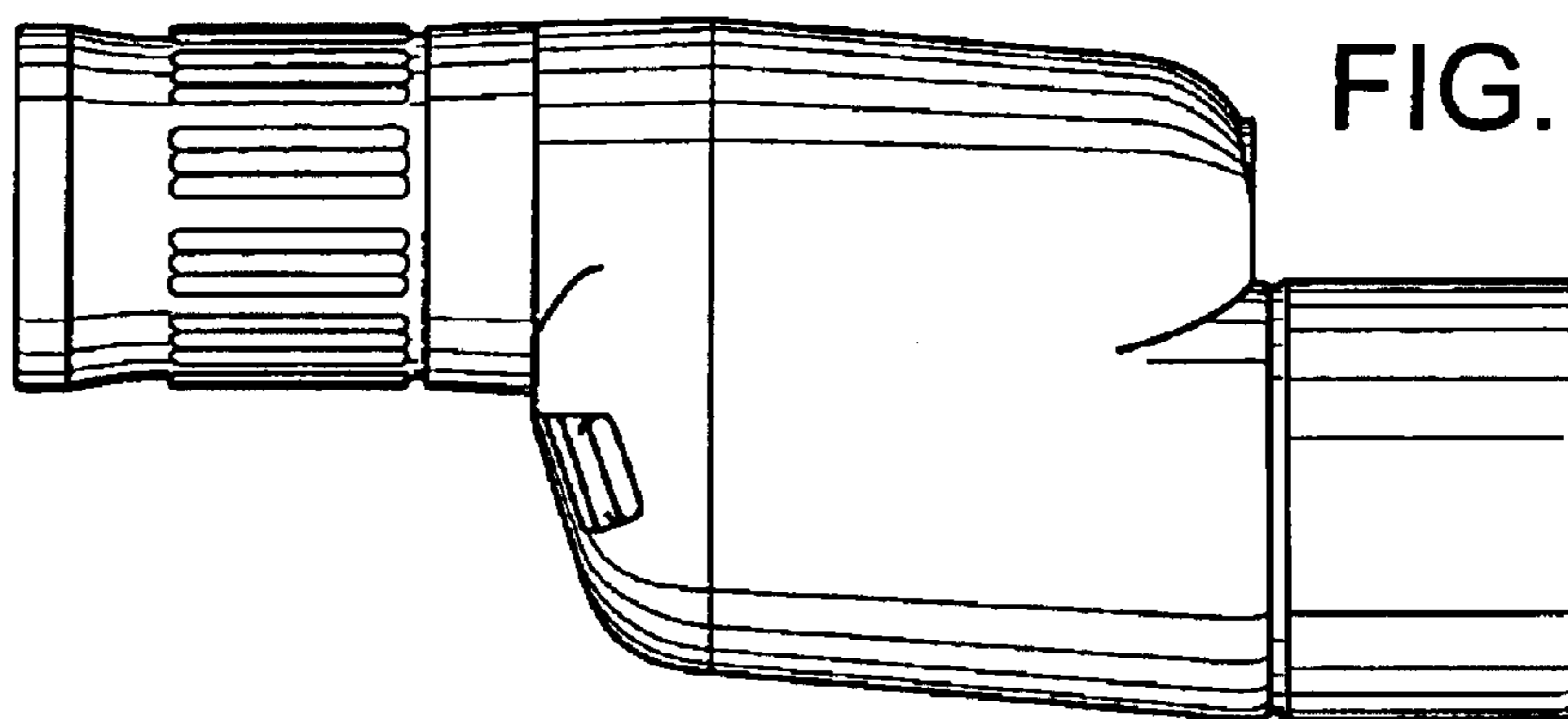


FIG. 7