



US00D490092S

(12) **United States Design Patent**
Wu

(10) **Patent No.:** **US D490,092 S**

(45) **Date of Patent:** **** May 18, 2004**

(54) **BASE FOR MITER SAW**

D478,103 S * 8/2003 Kani et al. D15/133

(75) Inventor: **Chengchao Wu**, Suzhou (CN)

* cited by examiner

(73) Assignee: **Positec Power Tools (Suzhou) Co., Ltd.**, Suzhou (CN)

Primary Examiner—Antoine D. Davis
(74) *Attorney, Agent, or Firm*—Hedman & Costigan, P.C.

(**) Term: **14 Years**

(57) **CLAIM**

(21) Appl. No.: **29/178,137**

The ornamental design for a base for miter saw, as shown and described.

(22) Filed: **Mar. 21, 2003**

DESCRIPTION

(30) **Foreign Application Priority Data**

Sep. 25, 2002 (CN) 02 3 34350

FIG. 1 is a front view of the base for miter saw, which is the object of the present design;

(51) **LOC (7) Cl.** **15-09**

FIG. 2 is a rear view thereof;

(52) **U.S. Cl.** **D15/133**

FIG. 3 is a right side view thereof;

(58) **Field of Search** D15/133; 83/468.5,
83/438, 468.3, 471.1–471.3, 477, 581

FIG. 4 is a left side view thereof;

FIG. 5 is a bottom view thereof;

FIG. 6 is a top view thereof; and,

FIG. 7 is a perspective view thereof.

(56) **References Cited**

U.S. PATENT DOCUMENTS

6,595,095 B2 * 7/2003 Chen 83/473

1 Claim, 4 Drawing Sheets

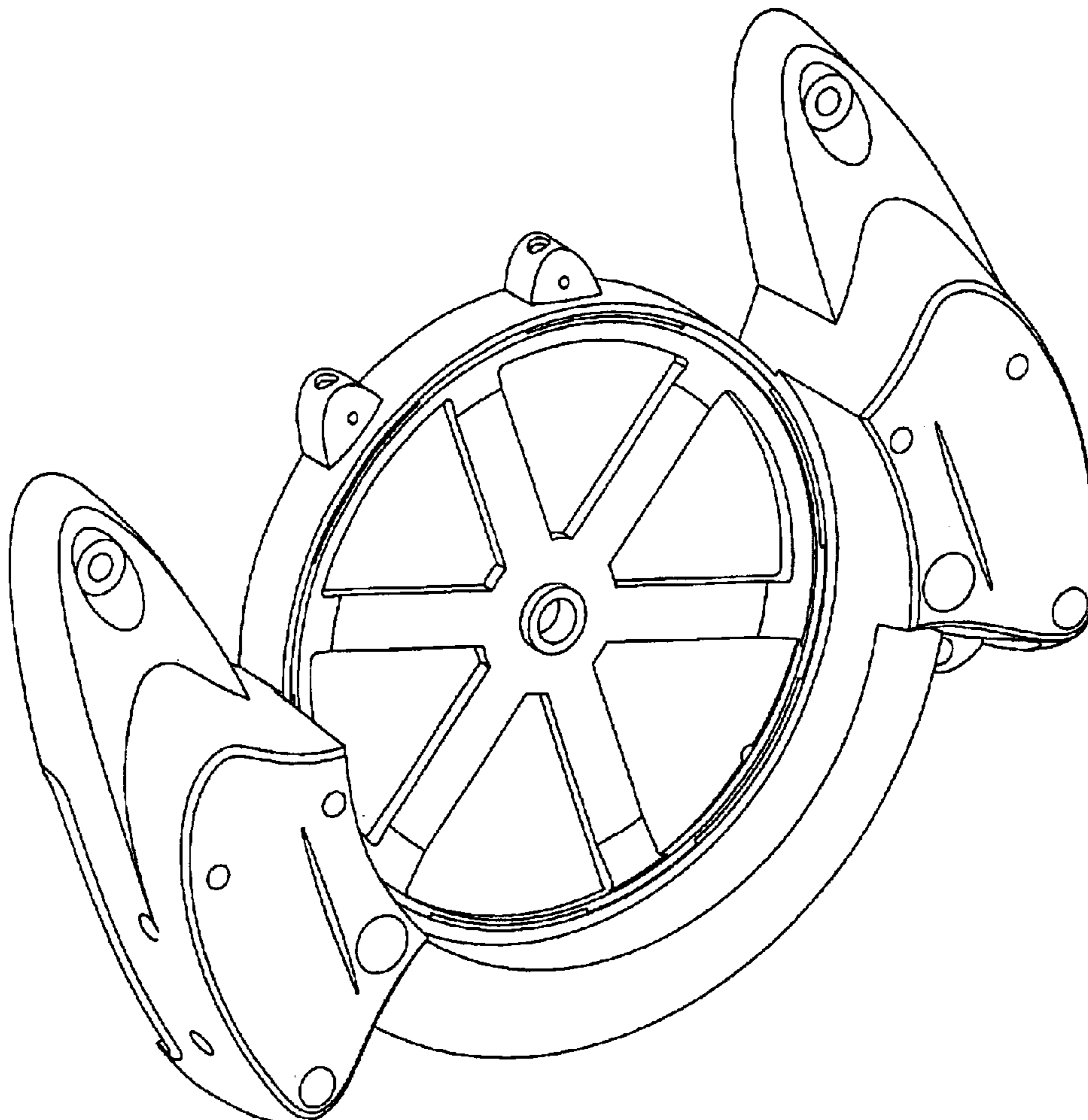


Fig. 1

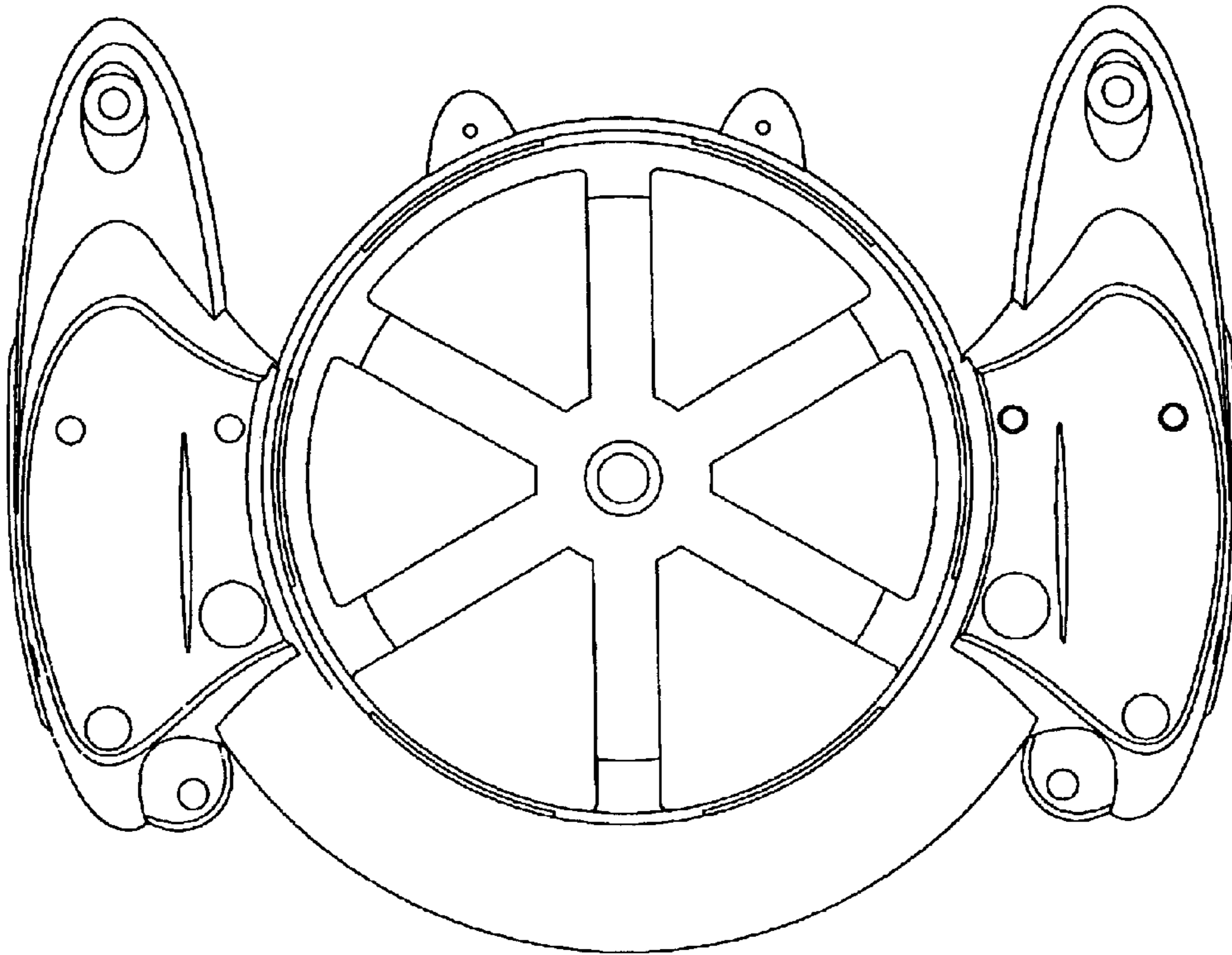
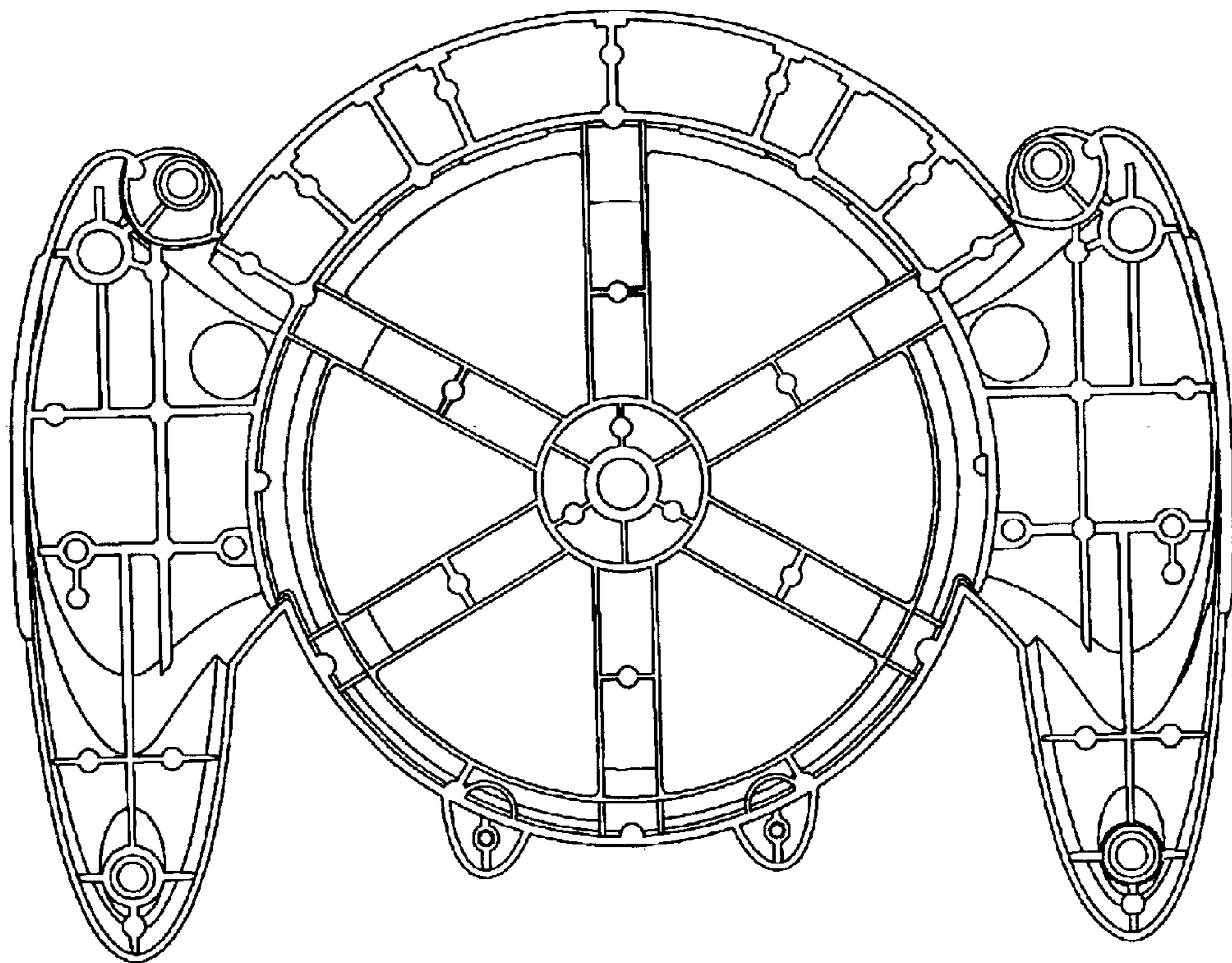


Fig. 2



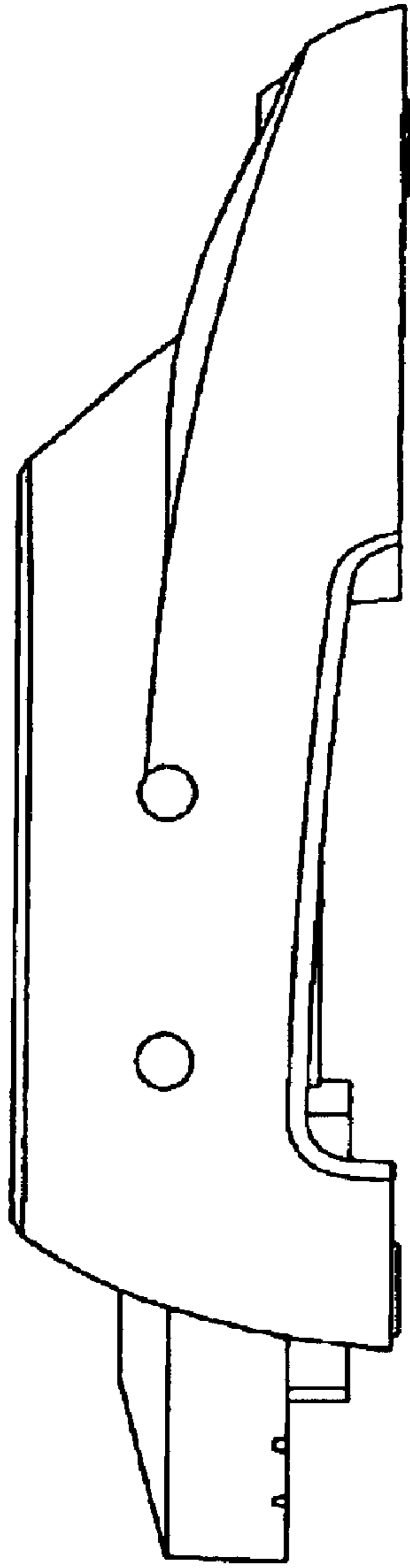


Fig. 3

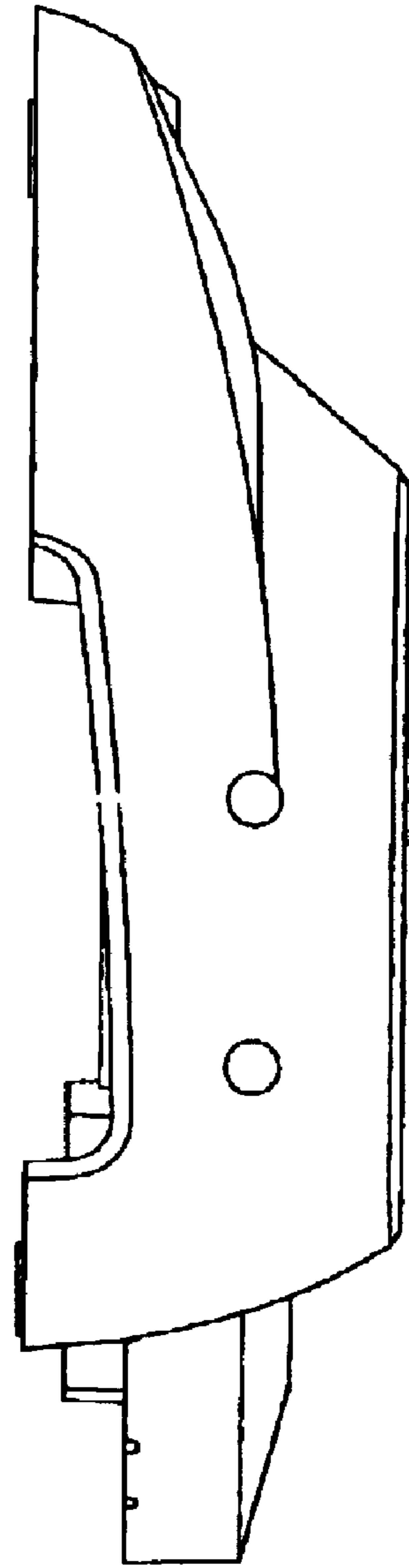


Fig. 4

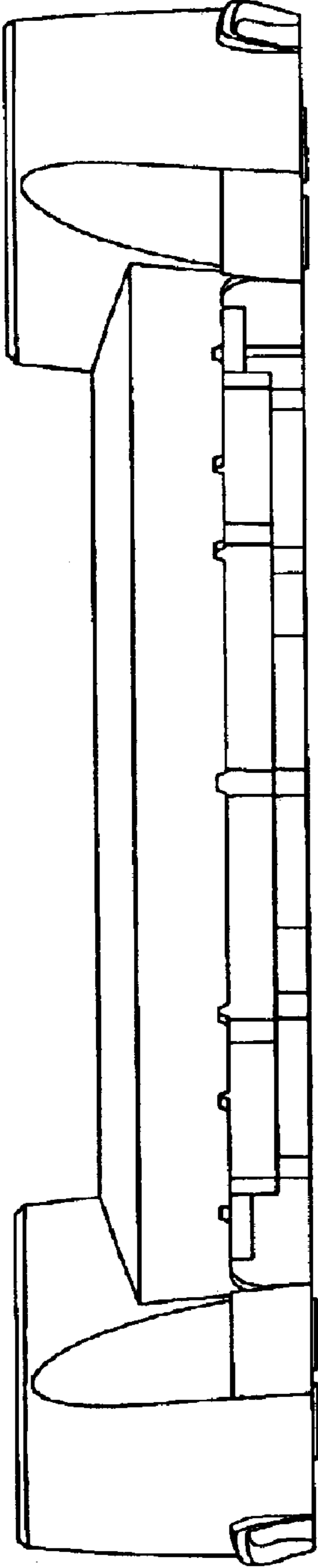


Fig. 5

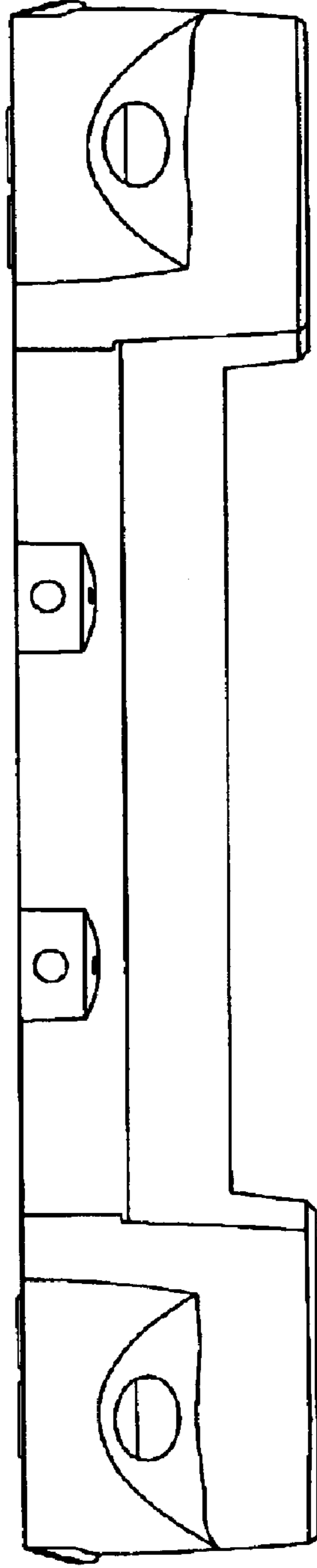


Fig. 6

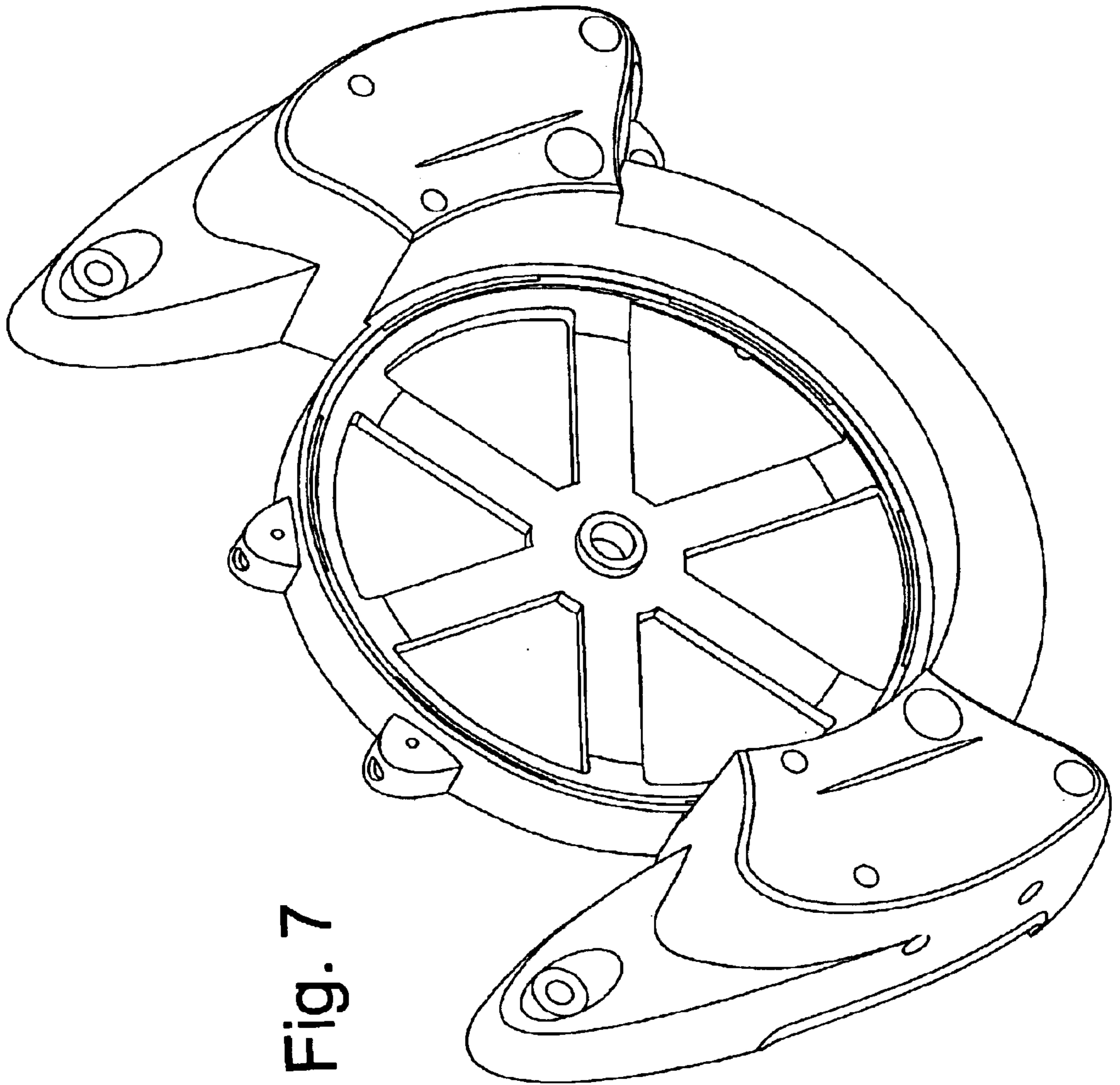


Fig. 7